

This drawing involves proprietary design rights of Tyco Electronics Corporation, and all design, manufacture, reproduction, use and sale rights regarding the same are expressly reserved. It is submitted for a specific purpose and the recipient by accepting this drawing, assumes custody and control and agrees to take reasonable precautions; (a) that this drawing will not be copied and reproduced, in whole or in part, or its contents revealed in any manner, or to any person except to meet the purpose for which it was delivered and (b) that any special features peculiar to this design will not be incorporated in other projects without the expressed written permission of Tyco Electronics Corporation.

REVISIONS			
EC	REV	DESCRIPTION	DATE
OS1Q-0400-04	A	NEW RELEASE	11/04/04

8. PART NUMBER INFORMATION

CONNECTOR	TYCO PART NUMBER	ELCON PART NUMBER	TERMINATION TYPE	PC TAIL LENGTH	RECOMMENDED MOUNTING BOARD	MATING BOARD
SOCKET	6650380-1	287-0032-12101	SOLDER TAIL (SHORT)	3.56 [ .140 ] 2.54 [ .100 ]	1.6 [.062] THICK	1.6 [.062] THICK
SOCKET	6650380-2	287-0032-12301	SOLDER TAIL (STANDARD)	5.08 [ .200 ] 4.06 [ .160 ]	3.2 [.125] OR THINNER	1.6 [.062] THICK

NOTES: UNLESS OTHERWISE SPECIFIED;

1. PART NUMBER CHANGES AND OR DESIGN CHANGES AFFECTING ITEM INTERCHANGEABILITY REQUIRE PRIOR ELCON APPROVAL AND AUTHORIZATION BY REVISION TO THIS DRAWING.

2. MATERIALS:

INSULATORS: THERMOPLASTIC, GLASS REINFORCED, COLOR-BLACK, UL94V-0 FLAMMABILITY RATED.

CONTACTS: PHOSPHOR-BRONZE ALLOY.

3. FINISHES:

CONTACTS: SELECTIVE GOLD PLATED PER MIL-G-45204 TYPE II, GRADE C, CLASS 0, .000030" MIN. THK, OVER NICKEL PER QQ-N-290, CLASS 2, .000040" MIN. THICKNESS.




TERMINALS: TIN PLATED, MATTE FINISH, .000120" TO .000170" THICK.

- 4 SOCKETS ACCEPT 1.6 [.062] ± 10% THK PC BOARD.
- 5 EXAMPLE PCB CONFIGURATION SHOWING SEQUENCING.
- 6 THIS 2 X 2 SEGMENT CONFIGURATION SHOWN IS FOR REFERENCE ONLY. COMBINATION OF MULTIPLE NUMBERS OF 2 AND 3 SEGMENT MODULES COULD BE USED PER USER PREFERENCE. OVERALL COMBINATION SHOULD NOT EXCEED 8" IN LENGTH.
- 7 ITEMS PROVIDED TO THIS SPECIFICATION TO BE PERMANENTLY IDENTIFIED PER THE FOLLOWING IDENTIFIER:

YEAR WEEK

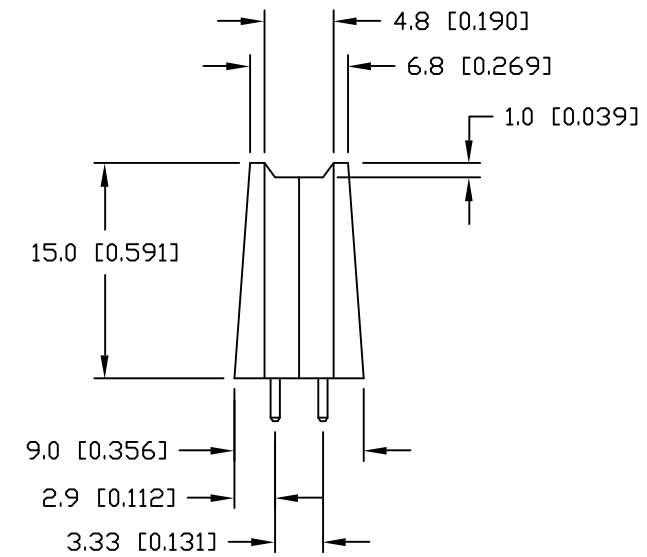
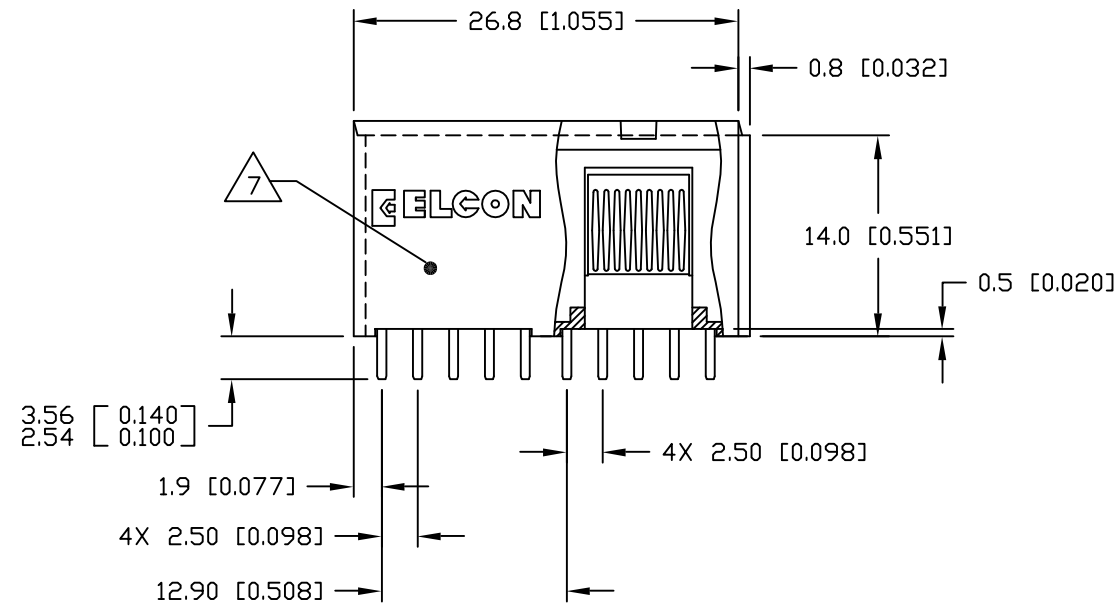
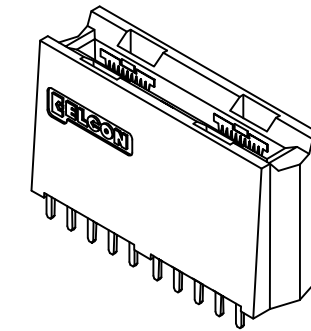
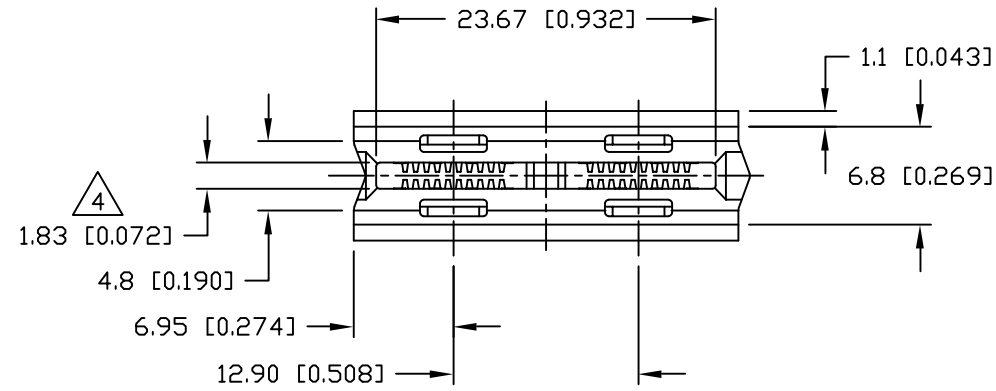
ELCON PART NO. & REV DATE CODE (e.g. 0107)

XXX-XXXX-XXXXX [ ]      XXXX

 THIRD ANGLE PROJECTION UNLESS OTHERWISE SPECIFIED DIMENSIONS ARE IN METRIC [INCHES] TOLERANCES ANGLES ± .5° DECIMALS .XX ± .25 [.010] .X ± .5 [.020]	DRAWN R. F. A.	DATE 11/04/04	 Tyco Electronics Corporation Menlo Park, Ca 94025 	
	CHECKED			TITLE
	APPROVED		SOCKET CONNECTOR, CROWN EDGE 4 POSN POWER, STRAIGHT, SOLDER PN: 287-0032-12101/287-0032-12301	
	APPROVED D. CHAU	11/04/04	SIZE B	DWG NUMBER C = 6650380
	M. ALIM	11/08/04	REV. A	
ACAD FILE NUMBER C6650380A.DWG			DWG SCALE 2=1 SH 1 OF 5	

This drawing involves proprietary design rights of Tyco Electronics Corporation, and all design, manufacture, reproduction, use and sale rights regarding the same are expressly reserved. It is submitted for a specific purpose and the recipient by accepting this drawing, assumes custody and control and agrees to take reasonable precautions; (a) that this drawing will not be copied and reproduced, in whole or in part, or its contents revealed in any manner, or to any person except to meet the purpose for which it was delivered and (b) that any special features peculiar to this design will not be incorporated in other projects without the expressed written permission of Tyco Electronics Corporation.

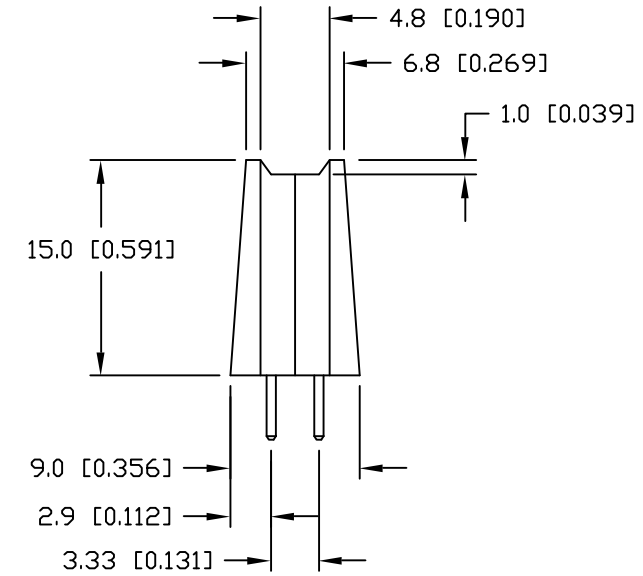
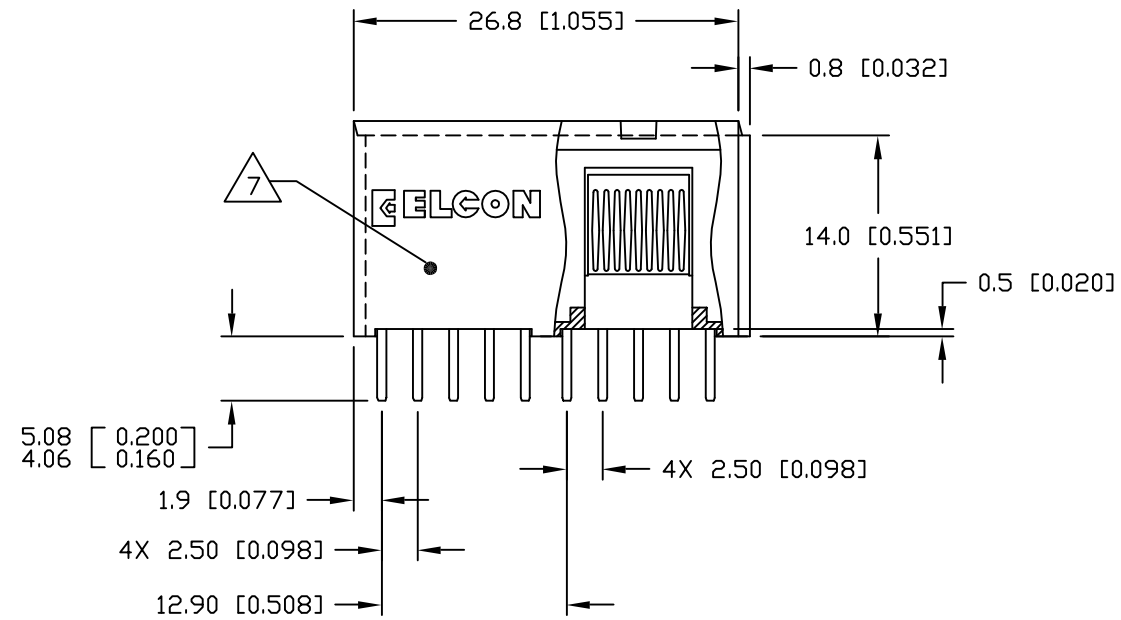
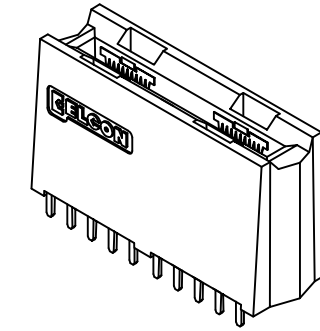
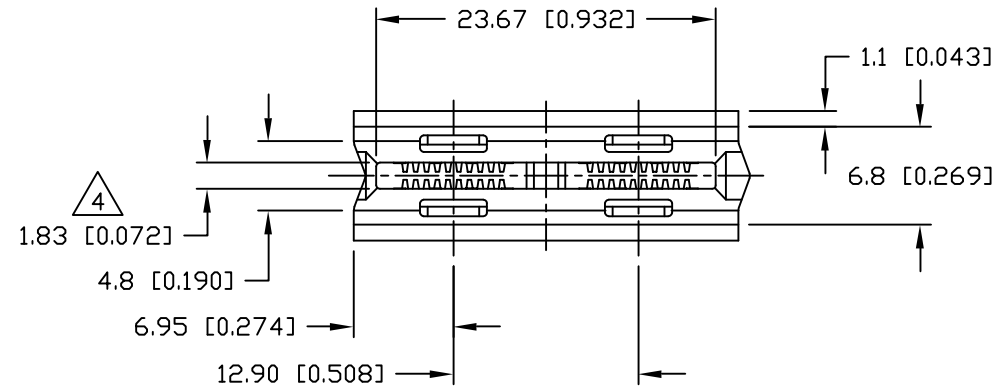
REVISIONS			
EC	REV	DESCRIPTION	DATE
		SEE SHEET 1	



← MM OR MM [INCH] INCH  THIRD ANGLE PROJECTION UNLESS OTHERWISE SPECIFIED DIMENSIONS ARE IN METRIC [INCHES] TOLERANCES ANGLES ± .5° DECIMALS .XX ± .25 [.010] .X ± .5 [.020]	DRAWN R. F. A.	DATE 11/04/04	 Tyco Electronics Corporation Menlo Park, Ca 94025 	
	CHECKED			TITLE SOCKET CONNECTOR, CROWN EDGE 4 POSN POWER, STRAIGHT, SOLDER PN: 287-0032-12101
	APPROVED		APPROVED D. CHAU 11/04/04	SIZE B
	APPROVED M. ALIM 11/08/04	ACAD FILE NUMBER C6650380A.DWG	DWG NUMBER C = 6650380	REV. A
			DWG SCALE 2=1 SH 2 OF 5	

This drawing involves proprietary design rights of Tyco Electronics Corporation, and all design, manufacture, reproduction, use and sale rights regarding the same are expressly reserved. It is submitted for a specific purpose and the recipient by accepting this drawing, assumes custody and control and agrees to take reasonable precautions; (a) that this drawing will not be copied and reproduced, in whole or in part, or its contents revealed in any manner, or to any person except to meet the purpose for which it was delivered and (b) that any special features peculiar to this design will not be incorporated in other projects without the expressed written permission of Tyco Electronics Corporation.

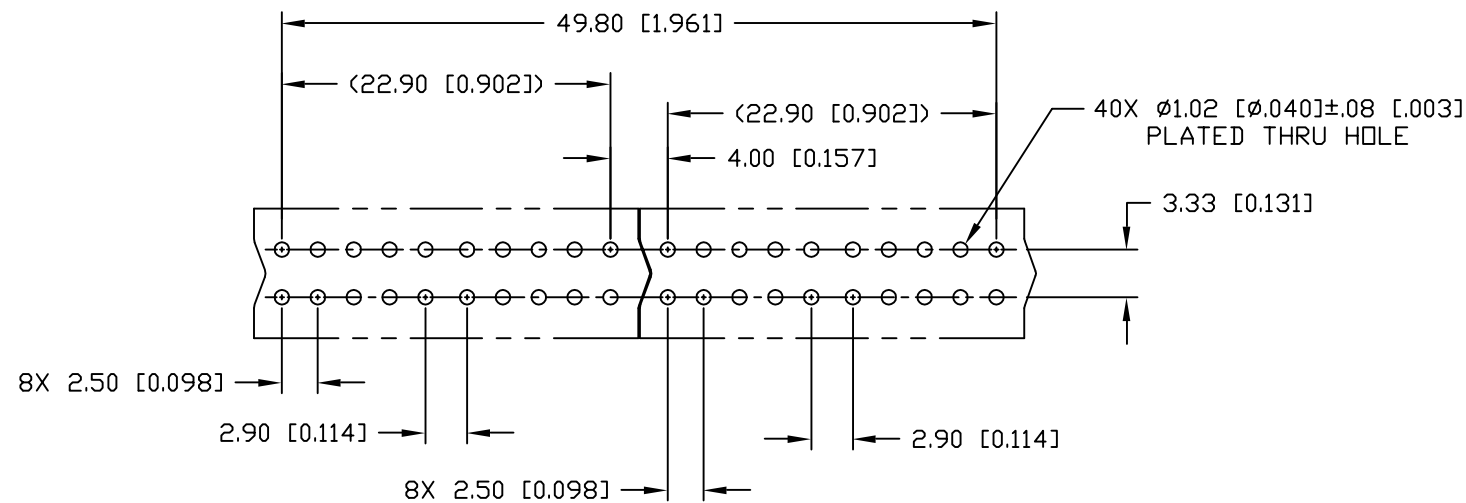
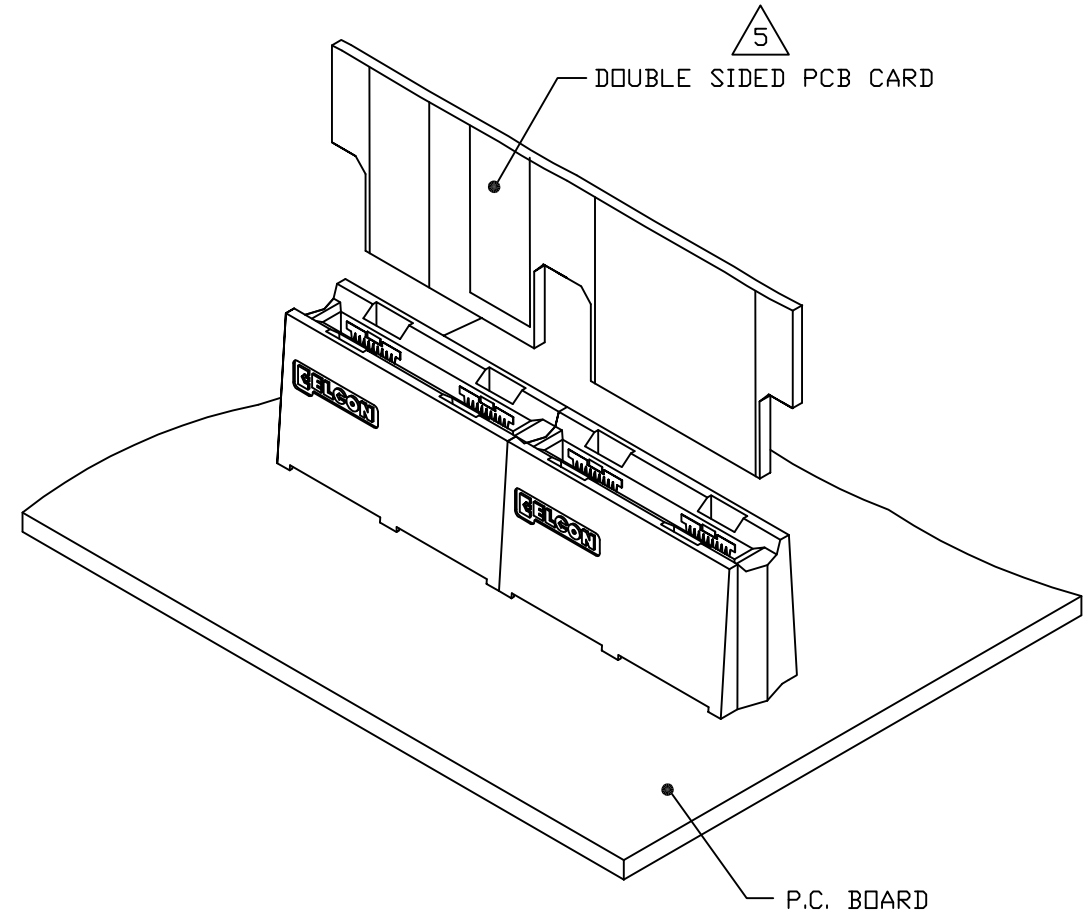
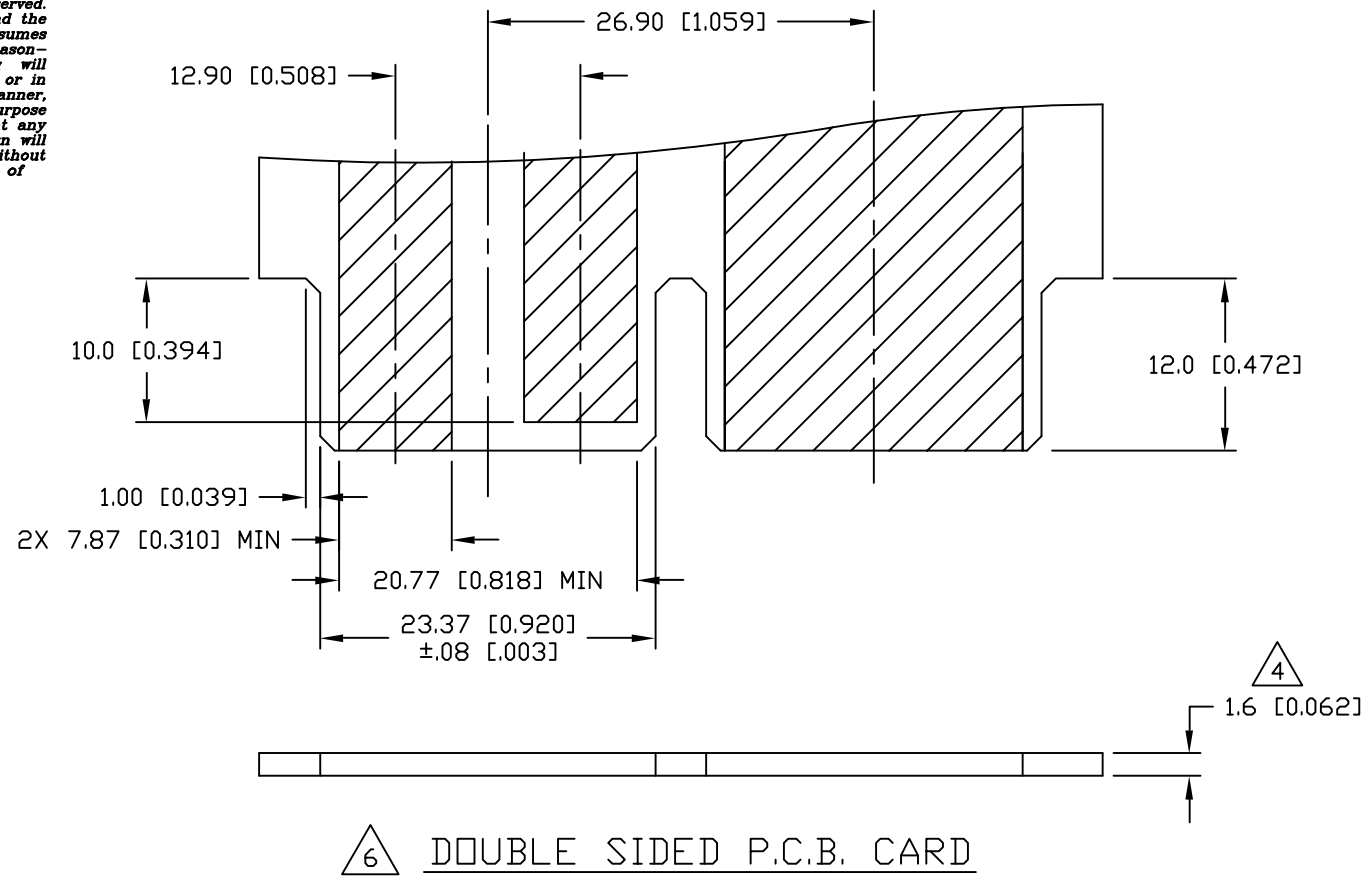
REVISIONS			
EC	REV	DESCRIPTION	DATE
		SEE SHEET 1	



← MM OR MM [INCH] INCH  THIRD ANGLE PROJECTION UNLESS OTHERWISE SPECIFIED DIMENSIONS ARE IN METRIC [INCHES] TOLERANCES ANGLES ± .5° DECIMALS .XX ± .25 [.010] .X ± .5 [.020]	DRAWN R. F. A.	DATE 11/04/04	 Tyco Electronics Corporation Menlo Park, Ca 94025 	
	CHECKED			TITLE SOCKET CONNECTOR, CROWN EDGE 4 POSN POWER, STRAIGHT, SOLDER PN: 287-0032-12301
	APPROVED		APPROVED D. CHAU 11/04/04	SIZE B
	APPROVED M. ALIM 11/08/04	ACAD FILE NUMBER C6650380A.DWG	DWG NUMBER C = 6650380	REV. A
			DWG SCALE 2=1	SH 3 OF 5

This drawing involves proprietary design rights of Tyco Electronics Corporation, and all design, manufacture, reproduction, use and sale rights regarding the same are expressly reserved. It is submitted for a specific purpose and the recipient by accepting this drawing, assumes custody and control and agrees to take reasonable precautions; (a) that this drawing will not be copied and reproduced, in whole or in part, or its contents revealed in any manner, or to any person except to meet the purpose for which it was delivered and (b) that any special features peculiar to this design will not be incorporated in other projects without the expressed written permission of Tyco Electronics Corporation.

REVISIONS			
EC	REV	DESCRIPTION	DATE
		SEE SHEET 1	

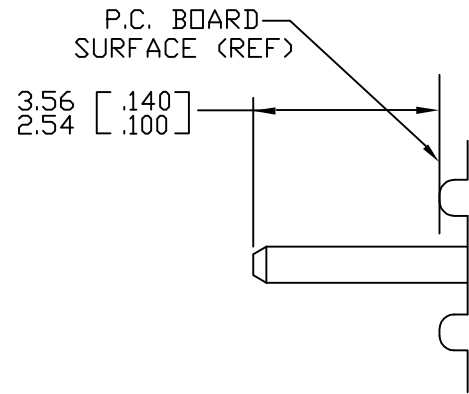


△ 6 RECOMMENDED P.C. BOARD LAYOUT

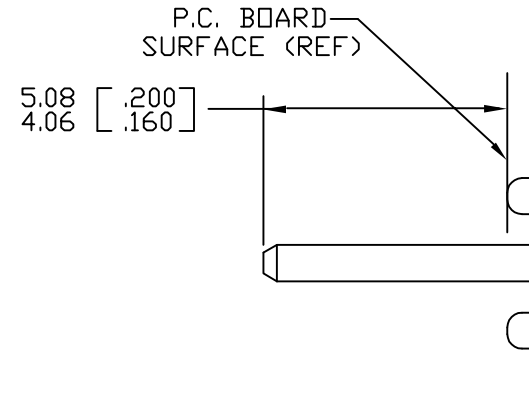
← MM OR MM [INCH]  THIRD ANGLE PROJECTION UNLESS OTHERWISE SPECIFIED DIMENSIONS ARE IN METRIC [INCHES] TOLERANCES ANGLES ± .5° DECIMALS .XX ± .25 [.010] .X ± .5 [.020]	DRAWN R. F. A.	DATE 11/04/04	 Tyco Electronics Corporation Menlo Park, Ca 94025 
	CHECKED	APPROVED	
	APPROVED D. CHAU	11/04/04	SIZE B
	DCA APPROVED M. ALIM	11/08/04	DWG NUMBER C = 6650380
	ACAD FILE NUMBER C6650380A.DWG		REV. A
			DWG SCALE 2=1 SH 4 OF 5

This drawing involves proprietary design rights of Tyco Electronics Corporation, and all design, manufacture, reproduction, use and sale rights regarding the same are expressly reserved. It is submitted for a specific purpose and the recipient by accepting this drawing, assumes custody and control and agrees to take reasonable precautions; (a) that this drawing will not be copied and reproduced, in whole or in part, or its contents revealed in any manner, or to any person except to meet the purpose for which it was delivered and (b) that any special features peculiar to this design will not be incorporated in other projects without the expressed written permission of Tyco Electronics Corporation.

REVISIONS			
EC	REV	DESCRIPTION	DATE
		SEE SHEET 1	



SOLDER PIN DETAIL



SOLDER PIN DETAIL

RECOMMENDED PRINTED CIRCUIT HOLE

FINISHED HOLE:  $\phi 1.02$  [ .040 ]  $\pm .08$  [ .003 ]  
 DRILLED HOLE:  $\phi 1.15$  [ .0453 ]  $\pm .013$  [ .0005 ]  
 COPPER PLATE: .025 [ .0010 ] MINIMUM (PER SURFACE)  
 TIN PLATE: .008 [ .0003 ] MINIMUM (PER SURFACE)

← MM INCH  THIRD ANGLE PROJECTION UNLESS OTHERWISE SPECIFIED DIMENSIONS ARE IN METRIC [INCHES] TOLERANCES ANGLES $\pm .5^\circ$ DECIMALS .XX $\pm .25$ [ .010 ] .X $\pm .5$ [ .020 ]	DRAWN R. F. A.	DATE 11/04/04	<b>tyco</b> <b>Electronics</b> Tyco Electronics Corporation Menlo Park, Ca 94025 	
	CHECKED			TITLE SOCKET CONNECTOR, CROWN EDGE USER INFORMATION SOLDER TAIL TERMINATION
	APPROVED		APPROVED D. CHAU 11/04/04	SIZE B
	APPROVED M. ALIM 11/08/04	ACAD FILE NUMBER C6650380A.DWG	DWG NUMBER C = 6650380	REV. A
			DWG SCALE 2=1	SH 5 OF 5

# Mouser Electronics

Authorized Distributor

Click to View Pricing, Inventory, Delivery & Lifecycle Information:

[TE Connectivity:](#)

[6650380-1](#)