

REVISIONS				
P.	LT#	DESCRIPTION	DATE	APPV
A7		ECR-13-011943	26 JUL 2013	MP PSI
A8		ECR-15-012070	13 AUG 2015	JJH BK
A9		ECR-16-014733	18 OCT 2016	GH MP
A10		ECR-19-016548	24 OCT 2019	JJH MP

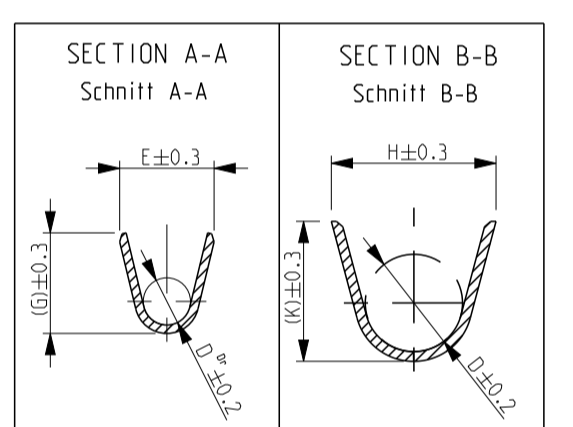
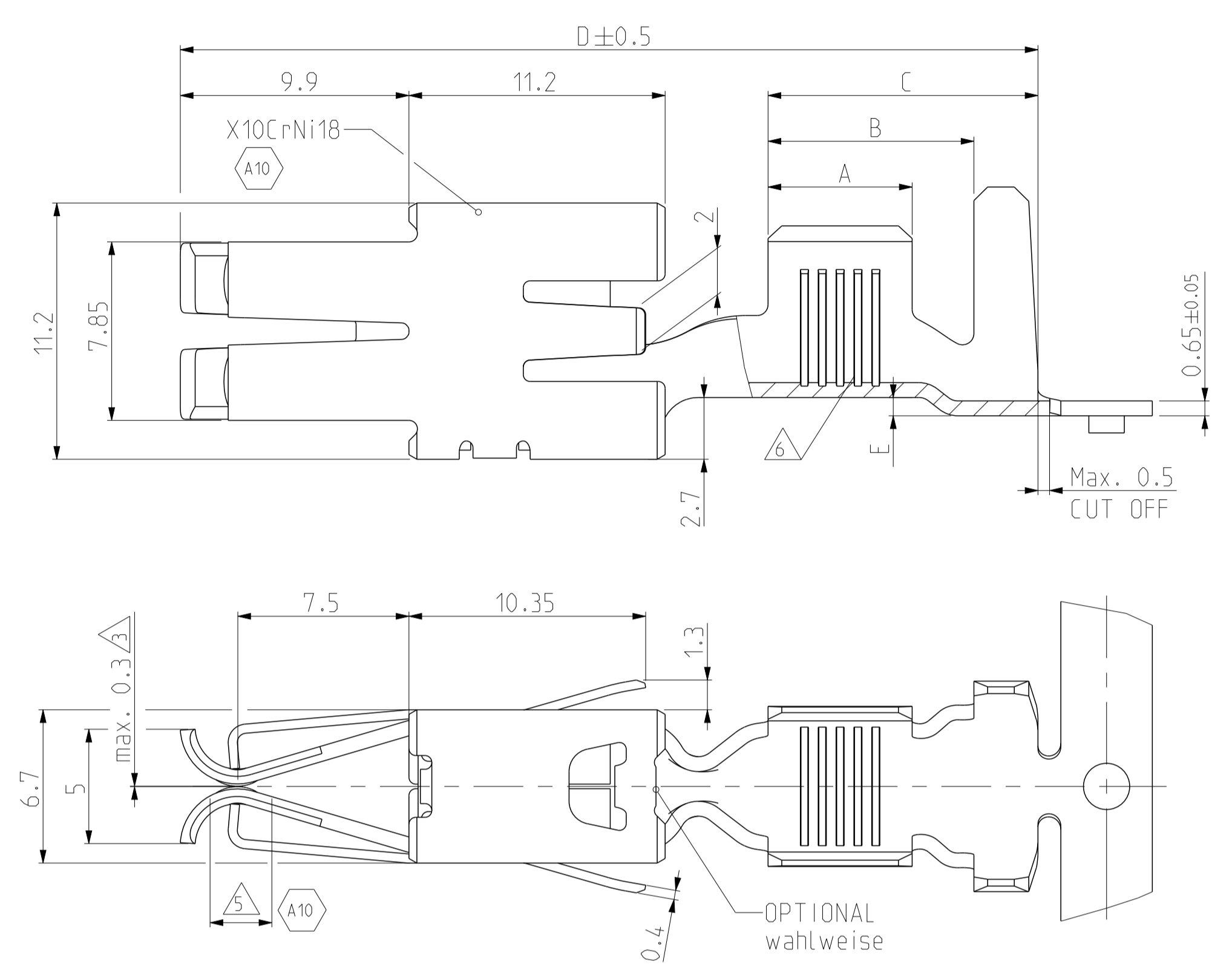
- VERSION WITH REDUCED MATING FORCE
Ausführung mit reduzierter Steckkraft
- SUITABLE FOR TABS 8x1.2mm AND 9.5x1.2mm
Geeignet fuer Flachstecker 8x1.2mm und 9.5x1.2mm

FOR CRITIZATION OF THE GAP-SIZE, THE MATING-FORCE HAS PRIORITY (<40N WITH TEST TAB ACC. TO PRODUCT SPEC).
 Zur Beurteilung des Öffnungsmasses ist die Steckkraft ausschlaggebend (<40N mit der Pruefung tab nach produktspezifikation).

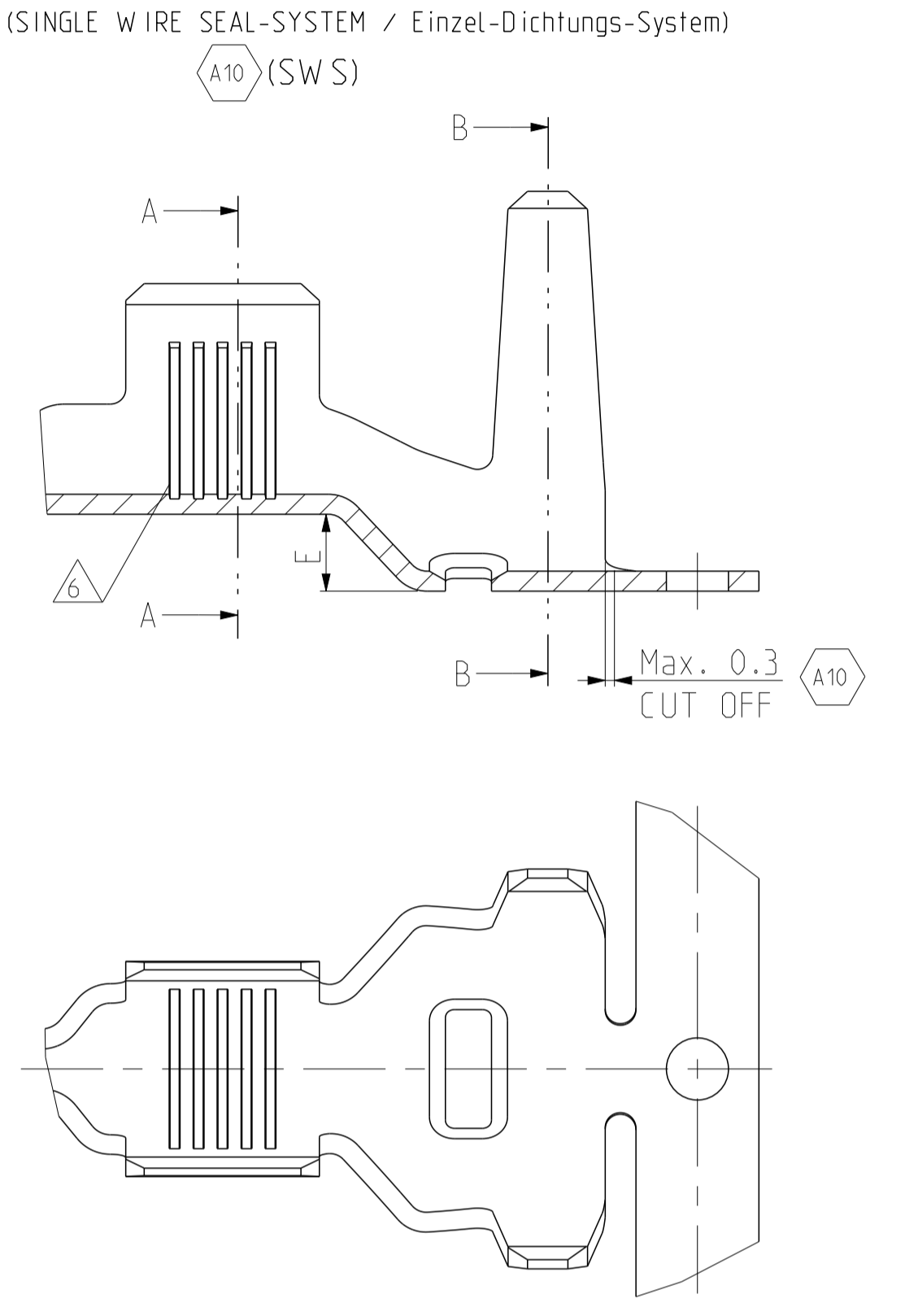
1-3 μm TIN LAYER FOR HIGHER TEMPERATURE REQUIREMENTS.
 1-3 μm Zinnschicht fuer hoehere Temperaturanforderungen.

CONTACT ZONE SELECTIVE PRE-SILVER PLATED MIN. 3 μm; REST Ag FLASH
 Kontaktzone selektiv voreisilbert min. 3 μm; Rest Ag Blitz

VERSION A (UNSEALED / ungedichtet)



VERSION B (SINGLE WIRE SEAL-SYSTEM / Einzel-Dichtungs-System)

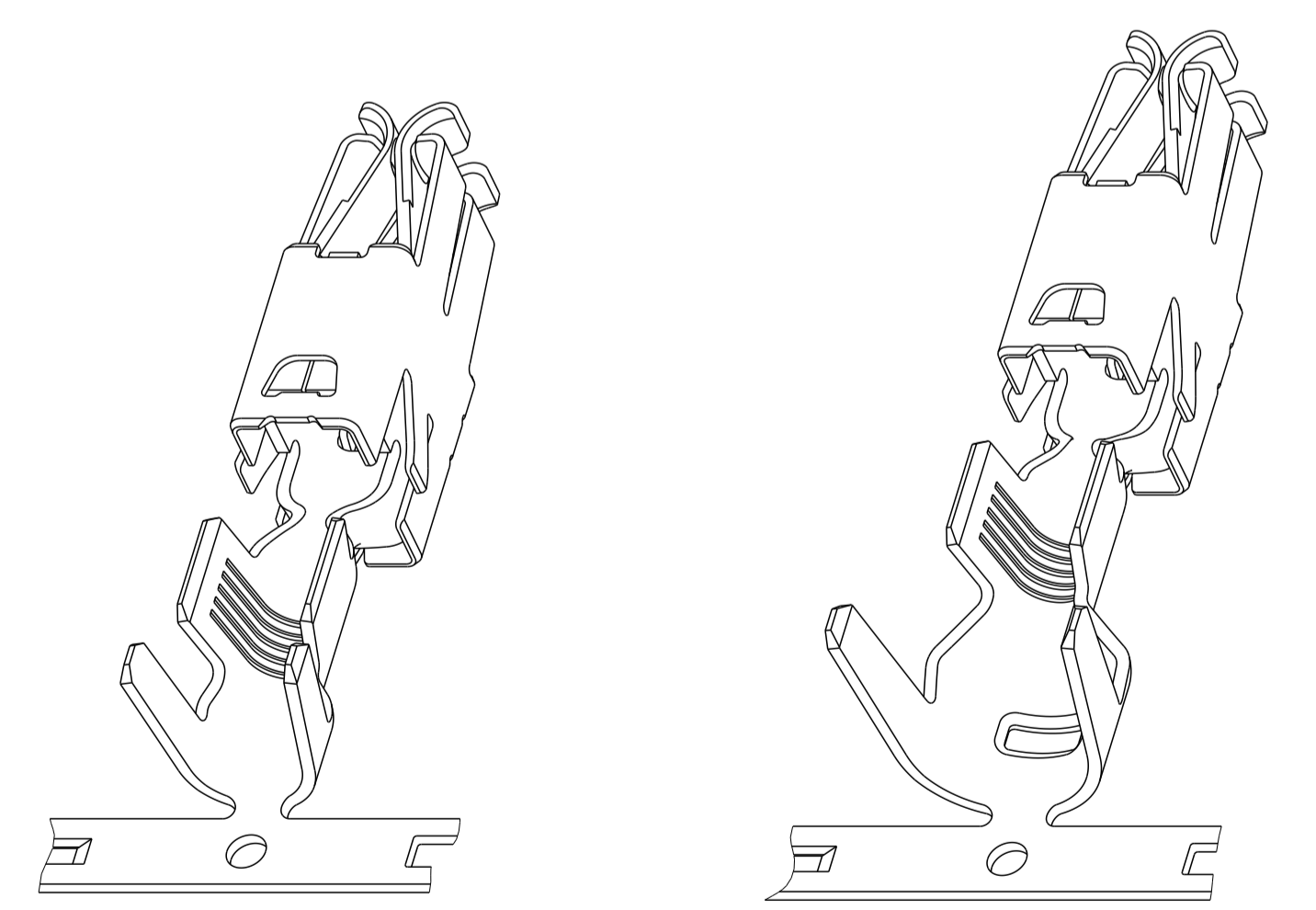


CHOICE OF SINGLE WIRE SEALS ACCORDING INSULATION-DIAMETER Auswahl Einzeladerdichtung nach Isolationsdurchmesser		
INSULATION-DIAMETER [mm] Isolationsdurchmesser Leitung [mm]		SINGLE WIRE SEAL Einzeladerdichtung
FLK	3.3 - 3.7	357972744 (VW-No.)
	4.0 - 4.5	357972744 (VW-No.)
	4.6 - 5.2	1355437-1
FLR	5.8 - 6.6	1355437-2
	2.7 - 3.0	-
	3.4 - 3.7	357972744 (VW-No.)
FLR	4.0 - 4.3	357972744 (VW-No.)
	5.4 - 5.8	-

VERSION B	PN	REV.	MATERIAL	SURFACE	SERRATIONS	DGB WIRE RANGE	INSULATION DIAMETER	WIRE CRIMP	INSUL.-CRIMP	APPLICATION TOOL	HAND TOOL	DIMENSIONS				
												A	B	C	D	E
962938-1	F		CuNiSi	vorverzinkt PRETINNED	5	6.0-10.0	4.6-6.6 FLK 4.0-5.8 FLR	E=7.0 G=7.5 D ₀₈ =3.7	H=13.0 K=13.0 D=9.5	2151794 680699 2-878660-2	-	6.3	11.9	15.6	41	2.5
962936-1	F		CuNiSi	vorverzinkt PRETINNED	4	4.0-6.0	4.0-5.2 FLK 3.4-4.3 FLR	E=5.6 G=5.9 D ₀₈ =3.0	H=13.0 K=13.0 D=9.5	2151146 2-878595-2	-	5.5	11.1	14.8	41	2.5
962934-1	D		CuNiSi	vorverzinkt PRETINNED	4	>2.5-4.0	3.3-4.5 FLK 2.7-3.7 FLR	E=4.9 G=5.1 D ₀₈ =2.3	H=13.0 K=13.0 D=9.5	2151781 1855578 2-878594-2	-	4.5	11.1	14.8	41	2.5

VERSION A	PN	REV.	MATERIAL	SURFACE	SERRATIONS	DGB WIRE RANGE	INSULATION DIAMETER	WIRE CRIMP	INSUL.-CRIMP	APPLICATION TOOL	HAND TOOL	DIMENSIONS				
												A	B	C	D	E
1-962932-6	A		CuNiSi	4	5	6.0-10.0	4.6-6.6 FLK 4.0-5.8 FLR	E=7.0 G=7.5 D ₀₈ =3.7	H=9.2 K=10.0 D=5.9	2151285 2-878659-2	734533-1 (only for 10mm ²)	6.3	9.0	11.8	37.5	0.8
962932-1	H		CuNiSi	vorverzinkt PRETINNED	4	4.0-6.0	4.0-5.2 FLK 3.4-4.3 FLR	E=5.6 G=5.9 D ₀₈ =3.0	H=7.8 K=8.1 D=4.5	2151284 1855532	734532-1 (only for 6mm ²)	5.5	7.8	10.1	37.5	0.6
1-962930-6	A		CuNiSi	4	4	>2.5-4.0	3.3-4.5 FLK 2.7-3.7 FLR	E=4.9 G=5.1 D ₀₈ =2.3	H=6.9 K=7.2 D=4.0	2151492 2-878592-2	734531-1	4.5	6.8	9.1	37.5	0.6
962930-1	H		CuNiSi	vorverzinkt PRETINNED	4	>2.5-4.0	3.3-4.5 FLK 2.7-3.7 FLR	E=4.9 G=5.1 D ₀₈ =2.3	H=6.9 K=7.2 D=4.0	2151492 2-878592-2	734531-1	4.5	6.8	9.1	37.5	0.6

PN STRIP FORM Bandware	REV.	MATERIAL Werkstoff	SURFACE Oberfloechе	NUMBER OF SERRATIONS Anzahl der Verzahnungen	DGB WIRE RANGE [mm ²]	INSULATION DIAMETER [mm]	STRIP FORM		APPLICATION TOOL Anschlag-WKZ	HAND TOOL Handzange	EXTRACTION TOOL Ausdruckwerkzeug No.: 1-1579007-7	A	B	C	D	E
							WIRE CRIMP Drahtcrimp	INSUL.-CRIMP Isol.-Crimp Bandware								
				6												



THIS DRAWING IS A CONTROLLED DOCUMENT. DIMENSIONING AND TOLERANCING PER GPS (ISO STANDARDS) UNLESS OTHERWISE SPECIFIED.

OWNER: M. Pfeilschifter 31 JUL 2000
 CHG: V. Huhn 31 JUL 2000
 APPV: M. Bleicher 31 JUL 2000

TE Connectivity
STE
 NAME: MAXI POWER TIMER FOR 1.2mm TABS
 MAXI POWER TIMER fuer 1.2mm TABS

DIMENSIONS: mm
 TOLERANCES UNLESS OTHERWISE SPECIFIED:
 PLZ ±0.2mm
 X/C ±0.05mm
 V ±0.05mm
 W ±0.05mm
 Z ±0.05mm
 ANGLES ±0°

MATERIAL: SEE TABLE
 FINISH: SEE TABLE

WEIGHT: -
 Customer Drawing

SIZE: A1
 CAGE CODE: 00779
 DRAWING NO: 1355050
 SCALE: 5:1
 SHEET: 1 OF 1
 REV: A10