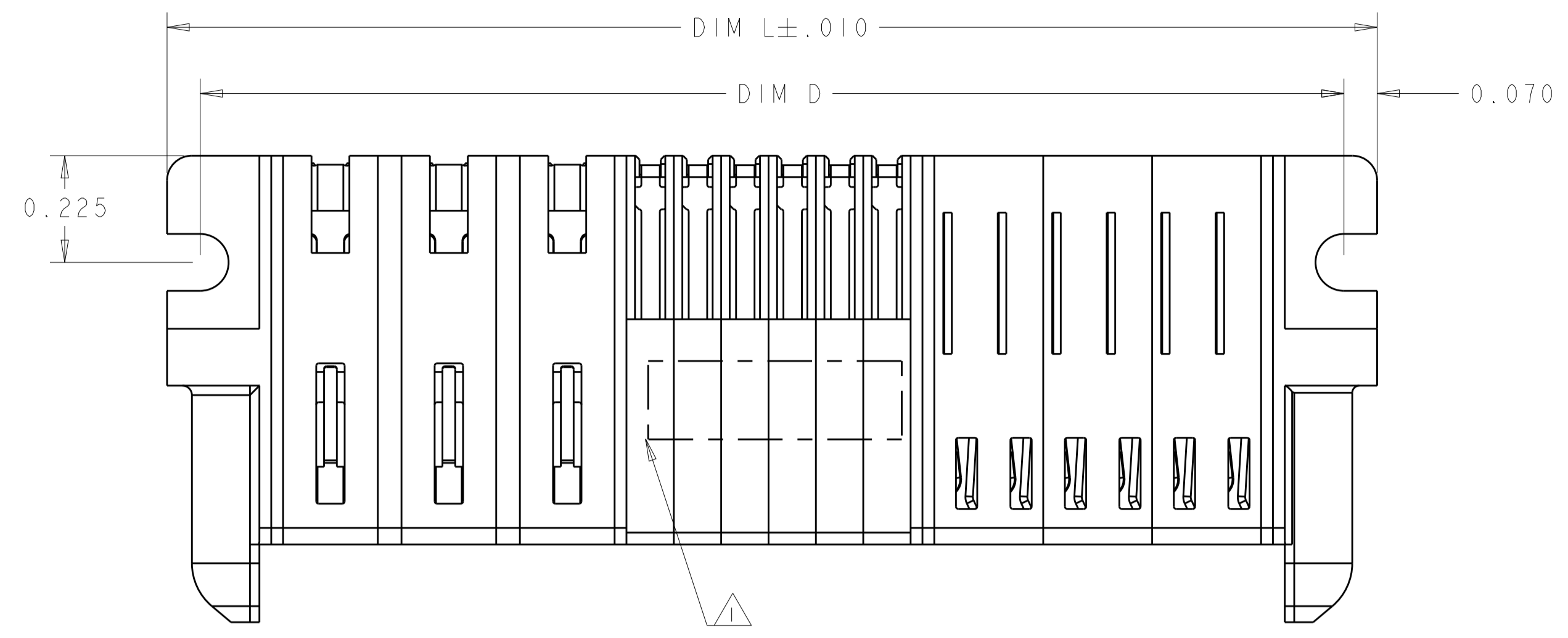
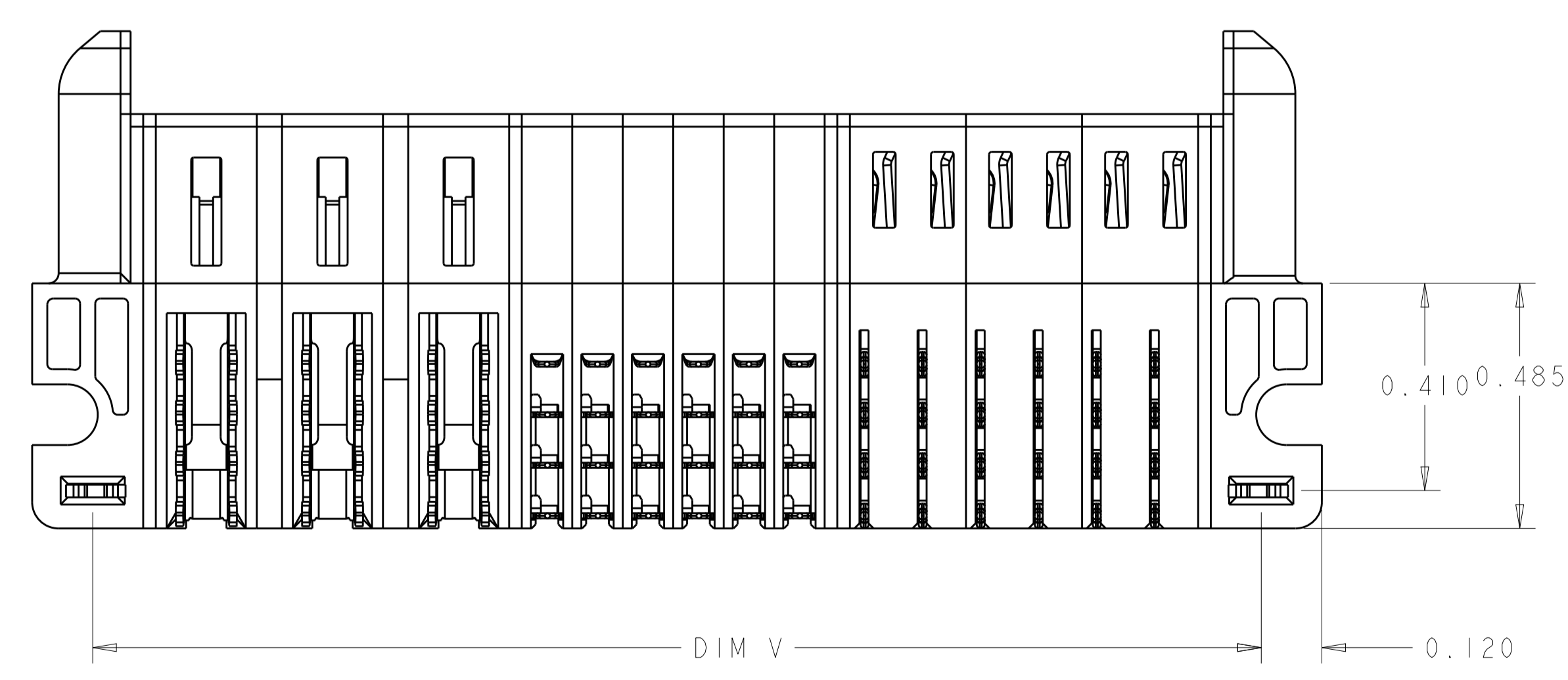
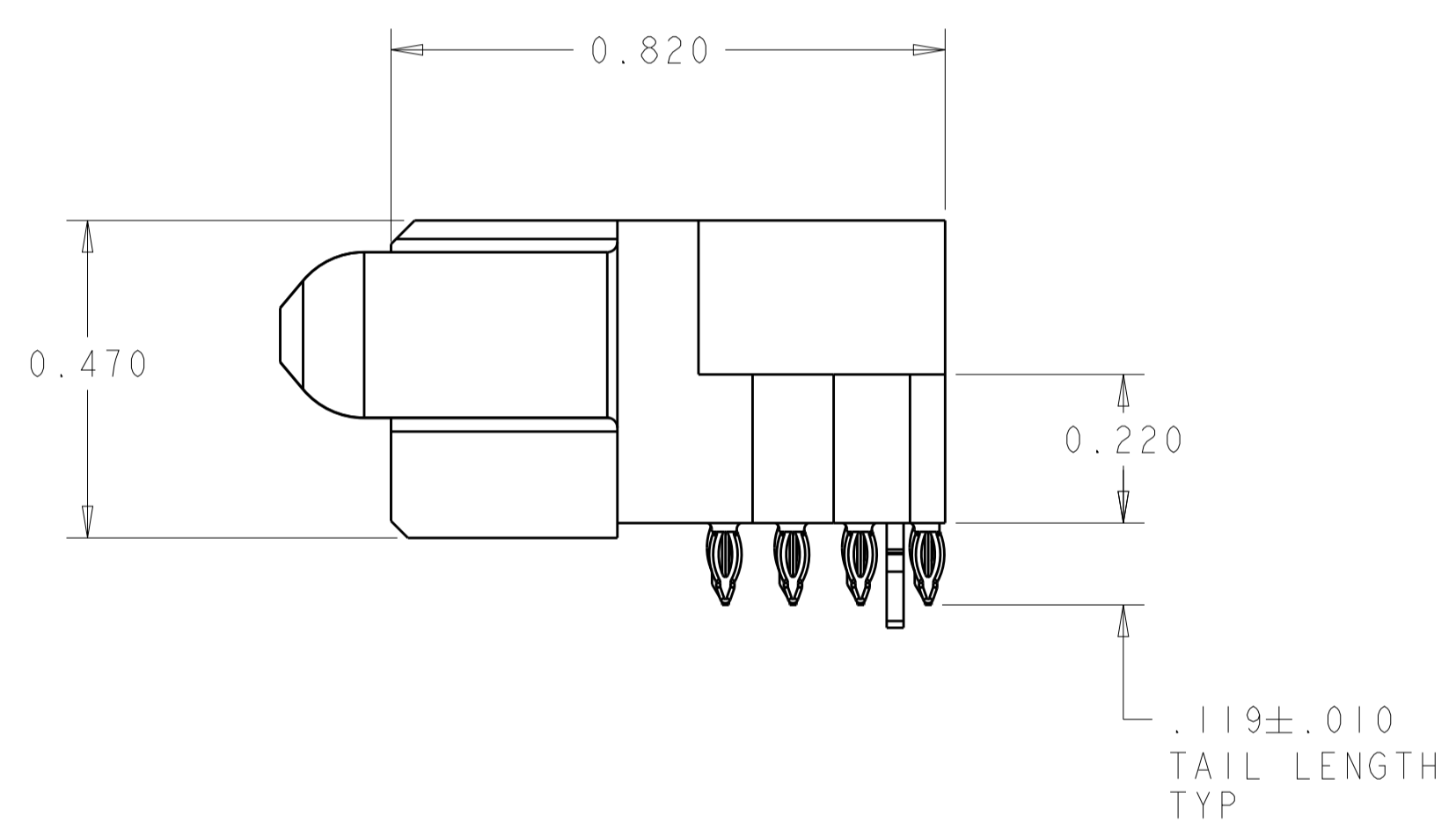
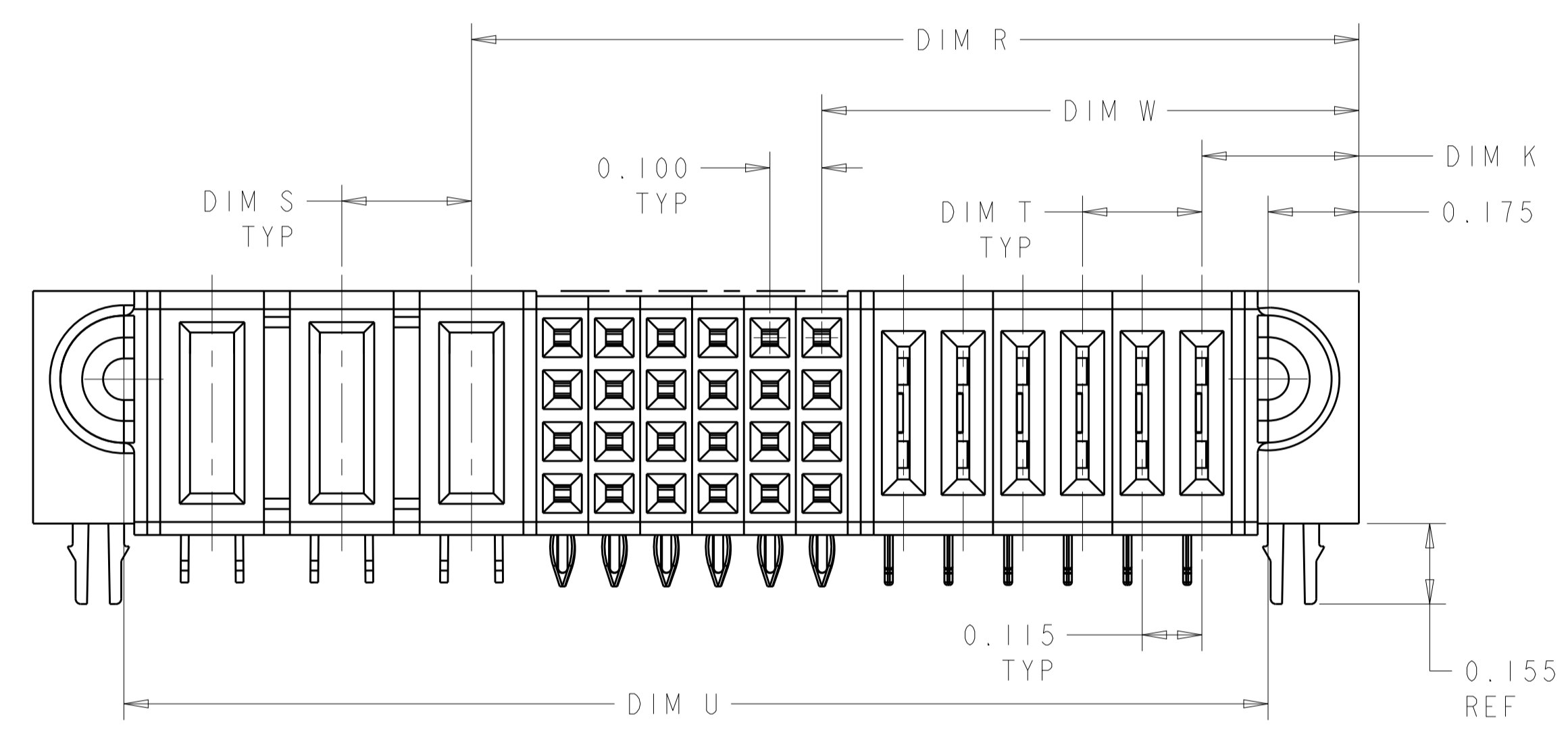


LOC	DIST	REVISIONS					
		P	LTN	DESCRIPTION	DATE	DMN	APVD
ES	00	F5		REMOVED 2-8			



- △ "AMP", PART NUMBER, AND DATE CODE TO BE MARKED IN AREA SHOWN PARTS UNDER 2.000 MAY BE MARKED ON BOTH SIDES.
- △ MATERIAL: HOUSING - GLASS FILLED HIGH TEMP THERMO PLASTIC, UL94 V-0
SIGNAL CONTACT - COPPER ALLOY
POWER CONTACT - HIGH CONDUCTIVITY COPPER ALLOY
- △ CONTACT PLATING: NOBLE METAL PLATING ON CONTACT FUNCTIONAL AREA OF POWER AND SIGNAL CONTACTS
- △ MECHANICAL CONNECTOR KEEP OUT ZONE
- △ DATUM AND BASIC DIMENSIONS ESTABLISHED BY CUSTOMER
- △ PCB - ALL HOLE DIAMETERS ARE FINISHED HOLE SIZES
- △ PCB - .0453 ±.0010 DRILLED HOLE PLATED WITH .0003 MIN Sn OVER .001-.003 PLATING TO ACHIEVE A .040 HOLE
- △ FOR P/S/P, P/S/LP CONFIGURATION, PLEASE REFER TO SHEET 2
- △ CONTACTS LUBRICATED WITH HMI5 AFTER PLATING.



.240	.165	1.980	2.080	1.870	2.220	1.4225	.990	.2775	3LP + 16S + 4LP	2-6450880-7
.250	.250	1.750	1.850	1.640	1.990	1.345	.845	.395	2P + 16S + 2P	2-6450880-6
.230	.250	-	5.595	5.385	5.735	4.6025	3.345	.370	12P + 48S + 12LP	2-6450880-3
-	-	.880	.980	.770	1.120	.8425	.435	.2775	1LP + 16S + 1LP	2-6450880-0
.200	.200	2.350	2.450	2.240	2.590	1.670	1.095	.320	4HDP + 20S + 4HDP	1-6450880-9
.250	.250	3.900	4.000	3.790	4.140	2.820	1.520	.320	5P + 48S + 5P	1-6450880-8
.250	.250	3.300	3.400	3.190	3.540	2.195	1.520	.345	5P + 24S + 5P	1-6450880-7
.250	.250	1.750	1.850	1.640	1.990	1.370	.845	.370	2P + 16S + 2P	1-6450880-5
.250	.250	6.000	6.100	5.890	6.240	4.145	2.270	.345	8P + 72S + 8P	1-6450880-1
-	-	.600	.700	.490	.840	-	.270	-	16S	1-6450880-0
.230	.250	5.495	5.595	5.385	5.735	4.6025	3.345	.370	12P+ 48S+ 8LP	6450880-8
.250	.250	4.400	4.500	4.290	4.640	2.545	2.270	.345	8P + 8S + 8P	6450880-7
.230	-	1.190	1.290	1.080	1.430	-	1.060	.3775	6LP + 8S	6450880-6
-	-	1.475	1.575	1.365	1.715	1.320	.595	.370	1P + 24S + 1P	6450880-5
.230	.250	-	5.595	5.385	5.735	4.6025	3.345	.370	12P+ 48S+ 8LP	6450880-4
.300	.200	5.150	5.250	5.040	5.390	2.845	1.520	.370	4ACP + 48S + 12HDP	6450880-3
.230	.250	2.315	2.415	2.205	2.555	1.710	1.035	.3025	6LP + 24S + 3P	6450880-1
DIM T	DIM S	DIM V	DIM D	DIM U	DIM L	DIM R	DIM W	DIM K	DESCRIPTION	PART NUMBER

THIS DRAWING IS A CONTROLLED DOCUMENT.

DMN S. ZHAO 25MAY2007
CHK S. ZHAO 25MAY2007
APVD S. ZHAO 25MAY2007

DIMENSIONS: INCHES

TOLERANCES UNLESS OTHERWISE SPECIFIED:

0 PLC	±.01
1 PLC	±.01
2 PLC	±.01
3 PLC	±.005
4 PLC	±.002
ANGLES	±.002

MATERIAL: 2

FINISH: *

PRODUCT SPEC: 108-2292
APPLICATION SPEC: 114-13251

WEIGHT: -

CUSTOMER DRAWING

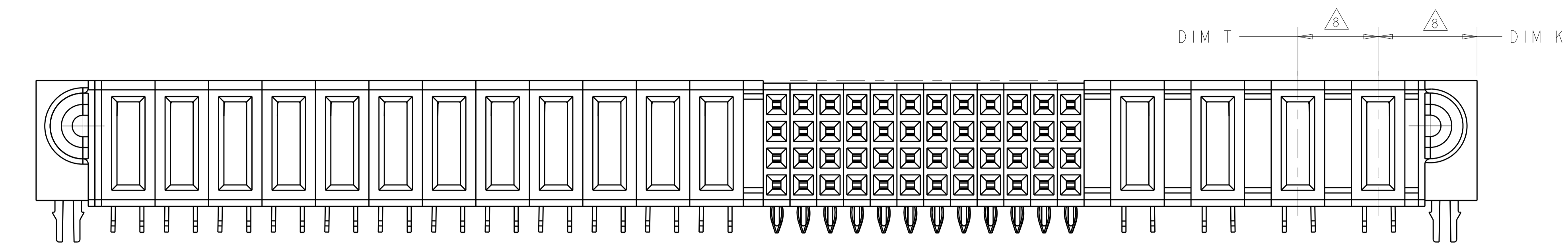
SCALE: 4:1 SHEET 13 OF 13 REV F5

TE Connectivity

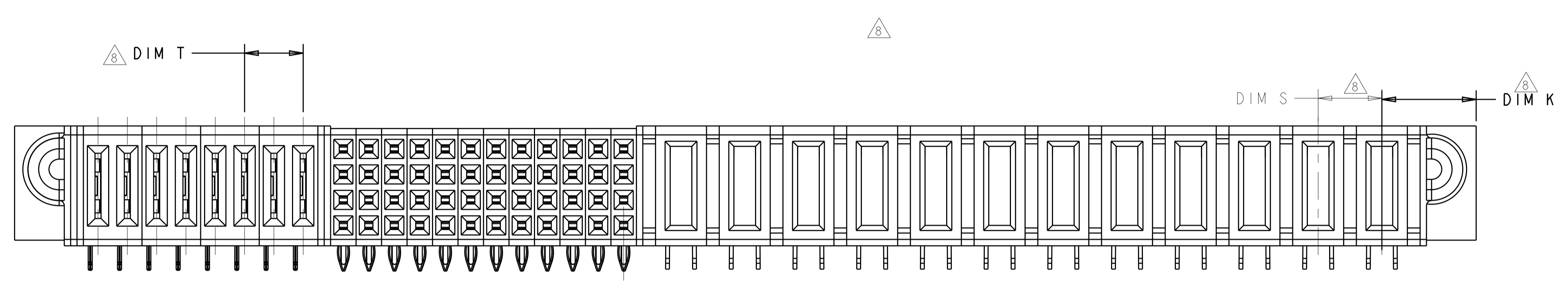
RIGHT ANGLE RECEPTACLE WITH LP CONTACT AND SHORT END MODULES MULTI-BEAM XLE

SIZE: A100779 C=6450880

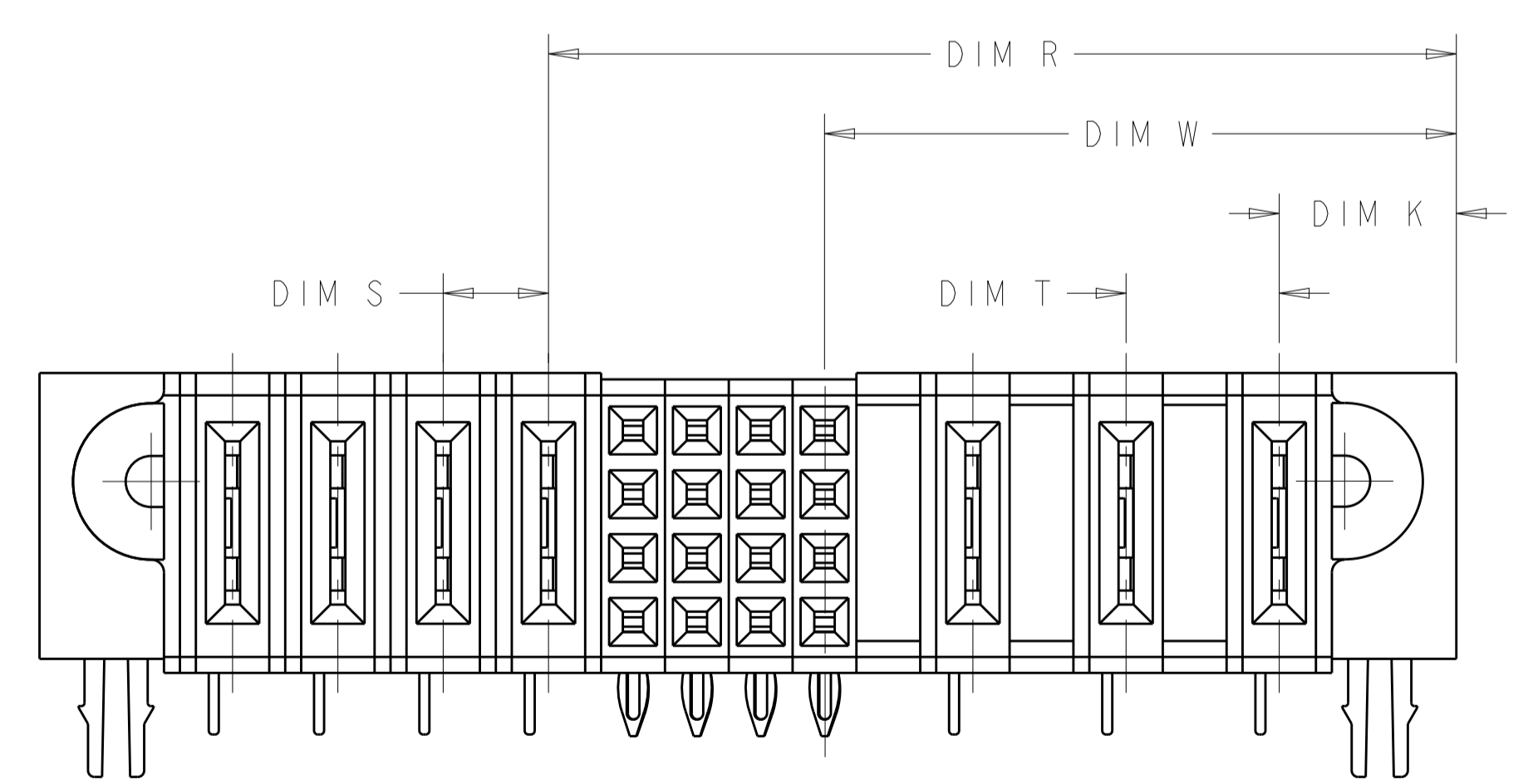
LOC	DIST	REVISIONS					
ES	00	P	LTN	DESCRIPTION	DATE	DWN	APVD
		-		SEE SHEET 1	-	-	-



PART NUMBER 6450880-3
 UNSPECIFIED DIM REFER TO SHEET 1
 SCALE 7:2



PART NUMBER 6450880-4, 2-6450880-3
 UNSPECIFIED DIM REFER TO SHEET 1
 SCALE 7:2

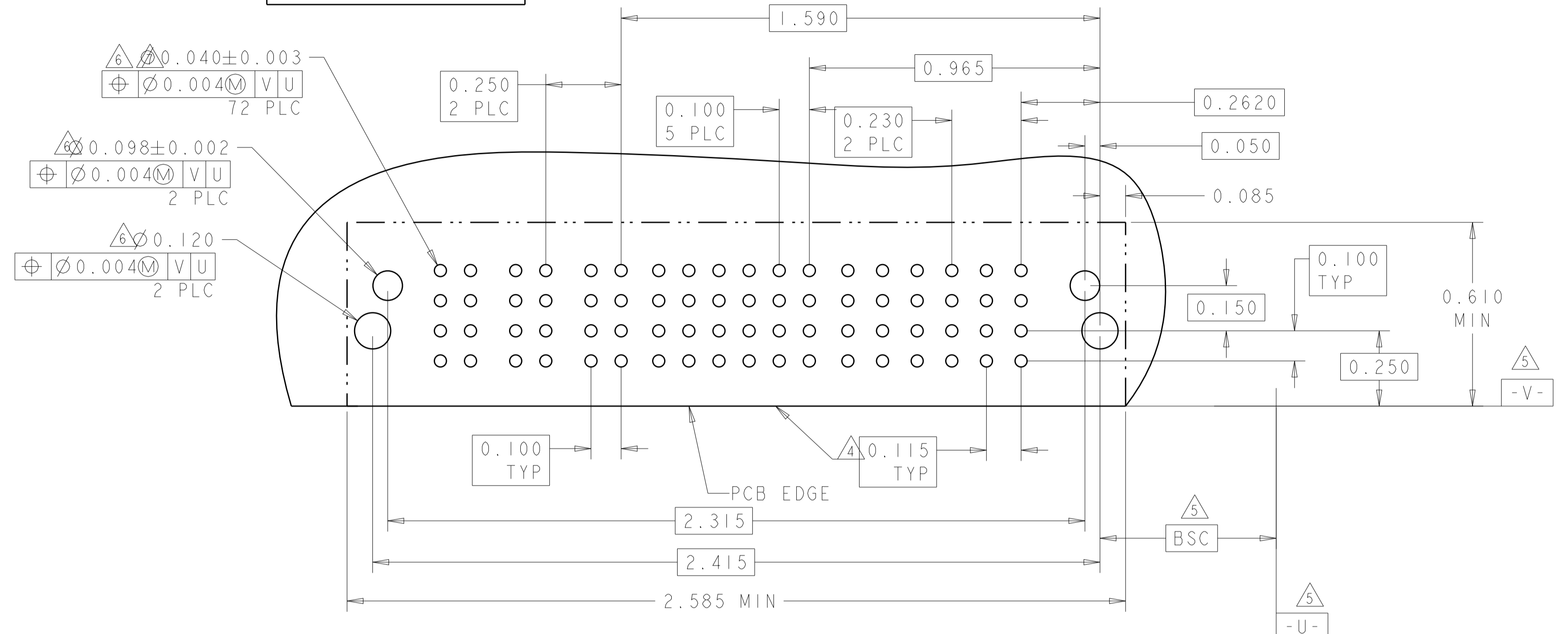


PART NUMBER 2-6450880-0, 2-6450880-7
 UNSPECIFIED DIM REFER TO SHEET 1
 FOR CONFIGURATION LP/S/LP

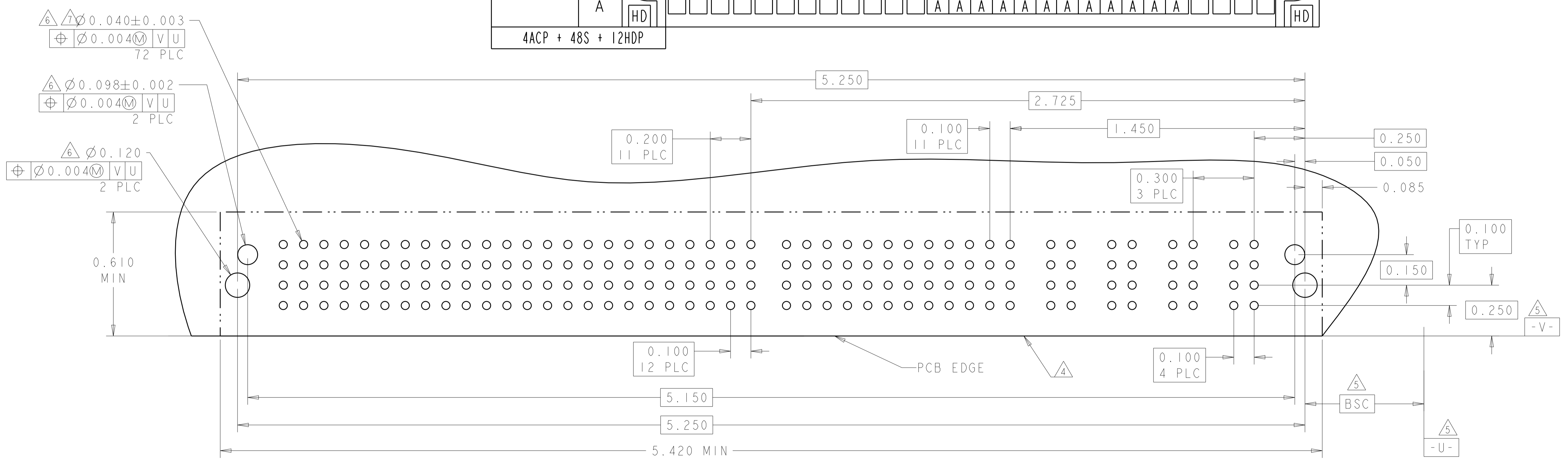
THIS DRAWING IS A CONTROLLED DOCUMENT.		DWN S. ZHAO 25MAY2007	
DIMENSIONS: INCHES		CHK S. ZHAO 25MAY2007	
		APVD S. ZHAO 25MAY2007	
TOLERANCES UNLESS OTHERWISE SPECIFIED: 0 PLC ±.1 1 PLC ±.01 2 PLC ±.005 3 PLC ±.002 4 PLC ±.0020 ANGLES ±.2° FINISH		PRODUCT SPEC 108-2292 APPLICATION SPEC 114-13251 WEIGHT CUSTOMER DRAWING	
MATERIAL		NAME	RESTRICTED TO
		RIGHT ANGLE RECEPTACLE WITH LP CONTACT AND SHORT END MODULES MULTI-BEAM XLE	
		SIZE CAGE CODE DRAWING NO. A100779C=6450880	
		SCALE 4:1 SHEET 2 OF 13 REV F5	

LOC	DIST	REVISIONS			
ES	00	REV	DATE	BY	APPV
		1	SEE SHEET 1		

PART NUMBER	ROWS	POWER						SIGNAL						POWER							
		P3	P2	P1	6	5	4	3	2	1	LP6	LP5	LP4	LP3	LP2	LP1	LP6	LP5	LP4	LP3	LP2
6450880-1	D C B A	RP						RS						LS							
		C						D						LS							
		B						C						LS							
		A						D						LS							
6LP + 24S + 3P																					



PART NUMBER	ROWS	POWER												SIGNAL												POWER			
		P16	P15	P14	P13	P12	P11	P10	P9	P8	P7	P6	P5	12	11	10	9	8	7	6	5	4	3	2	1	P4	P3	P2	P1
6450880-3	D C B A	RS												D												RS			
		C												D												RS			
		B												C												RS			
		A												D												RS			
4ACP + 48S + 12HDP																													



DESCRIPTION	CODE
SIGNAL CONTACT ROW D	D
SIGNAL CONTACT ROW C	C
SIGNAL CONTACT ROW B	B
SIGNAL CONTACT ROW A	A
STD LP CONTACT	LS
MFBL POWER CONTACT	RP
STD POWER CONTACT	RS
DESCRIPTION	CODE

THIS DRAWING IS A CONTROLLED DOCUMENT.

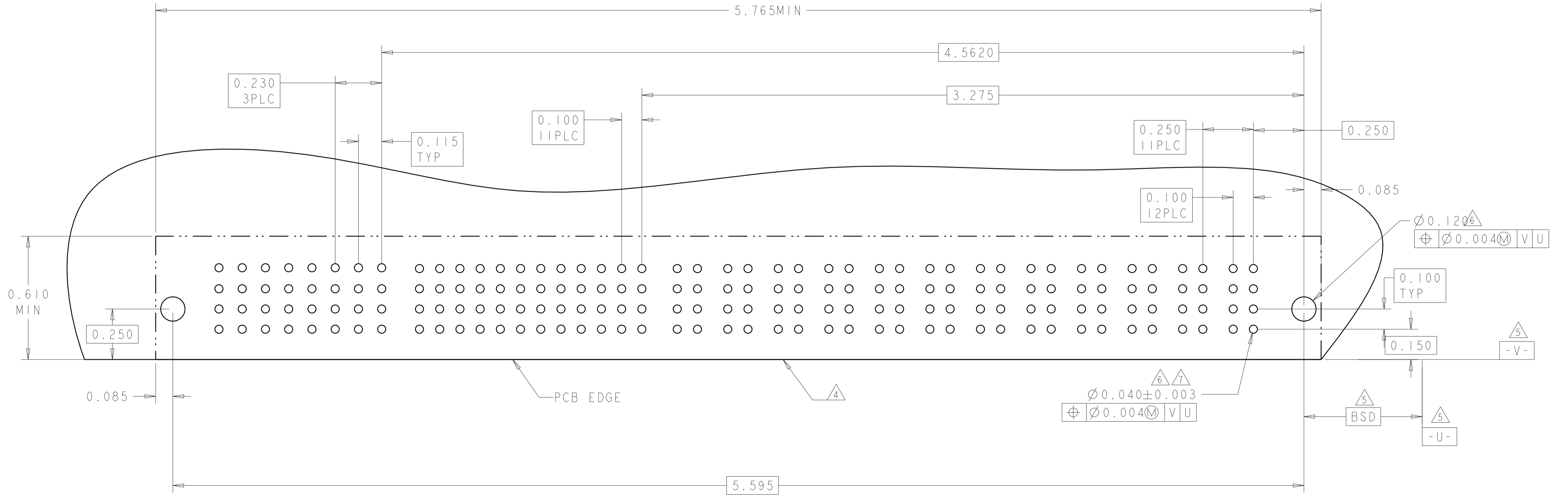
DIMENSIONS:	TOLERANCES UNLESS OTHERWISE SPECIFIED:	OWN: S. ZHAO 25MAY2007	CHK: S. ZHAO 25MAY2007
INCHES	0 PLC ±.1 1 PLC ±.1 2 PLC ±.01 3 PLC ±.005 4 PLC ±.002 ANGLES ±.002	APVD: S. ZHAO 25MAY2007	NAME: RIGHT ANGLE RECEPTACLE WITH LP CONTACT AND SHORT END MODULES MULTI-BEAM XLE
MATERIAL:	FINISH:	PRODUCT SPEC: 108-2292	APPLICATION SPEC: 114-13251
		WEIGHT:	RESTRICTED TO: A100779C=6450880
		CUSTOMER DRAWING	SCALE: 4:1 SHEET 3 OF 13 REV: F5

LOC		DIST		REVISIONS				
ES	00	P	LTN	DESCRIPTION	DATE	DMN	APVD	
		-		SEE SHEET 1				

PART NUMBER	ROWS	POWER								SIGNAL												POWER																	
		LP8	LP7	LP6	LP5	LP4	LP3	LP2	LP1	I2	I1	I0	9	8	7	6	5	4	3	2	1	PI2	PI1	PI0	P9	P8	P7	P6	P5	P4	P3	P2	PI						
6450880-4	D	C	LS	LS	LS	LS	LS	LS	LS	D	D	D	D	D	D	D	D	D	D	D	D	RS	RS	RS	RS	RS	RS	RS	RS	RS	RS	RS	RS						
	C									C	C	C	C	C	C	C	C	C	C	C	C													C	C	C	C	C	
	B									B	B	B	B	B	B	B	B	B	B	B	B													B	B	B	B	B	B
	A									A	A	A	A	A	A	A	A	A	A	A	A													A	A	A	A	A	A
12P + 48S + 8LP																																							

PART NUMBER	ROWS	POWER								SIGNAL												POWER																	
		LP8	LP7	LP6	LP5	LP4	LP3	LP2	LP1	I2	I1	I0	9	8	7	6	5	4	3	2	1	PI2	PI1	PI0	P9	P8	P7	P6	P5	P4	P3	P2	PI						
6450880-8	D	C	LS	LS	LS	LS	LS	LS	LS	D	D	D	D	D	D	D	D	D	D	D	D	RS	RS	RS	RS	RS	RS	RS	RS	RS	RS	RS	RS						
	C									C	C	C	C	C	C	C	C	C	C	C	C													C	C	C	C	C	
	B									B	B	B	B	B	B	B	B	B	B	B	B													B	B	B	B	B	B
	A									A	A	A	A	A	A	A	A	A	A	A	A													A	A	A	A	A	A
12P + 48S + 8LP																																							

PART NUMBER	ROWS	POWER								SIGNAL												POWER																	
		LP8	LP7	LP6	LP5	LP4	LP3	LP2	LP1	I2	I1	I0	9	8	7	6	5	4	3	2	1	PI2	PI1	PI0	P9	P8	P7	P6	P5	P4	P3	P2	PI						
2-6450880-3	D	C	LS	LS	LS	LS	LS	LS	LS	D	D	D	D	D	D	D	D	D	D	D	D	RS	RS	RS	RS	RS	RS	RS	RS	RS	RS	RS	RS						
	C									C	C	C	C	C	C	C	C	C	C	C	C													C	C	C	C	C	
	B									B	B	B	B	B	B	B	B	B	B	B	B													B	B	B	B	B	B
	A									A	A	A	A	A	A	A	A	A	A	A	A													A	A	A	A	A	A
12P + 48S + 8LP																																							



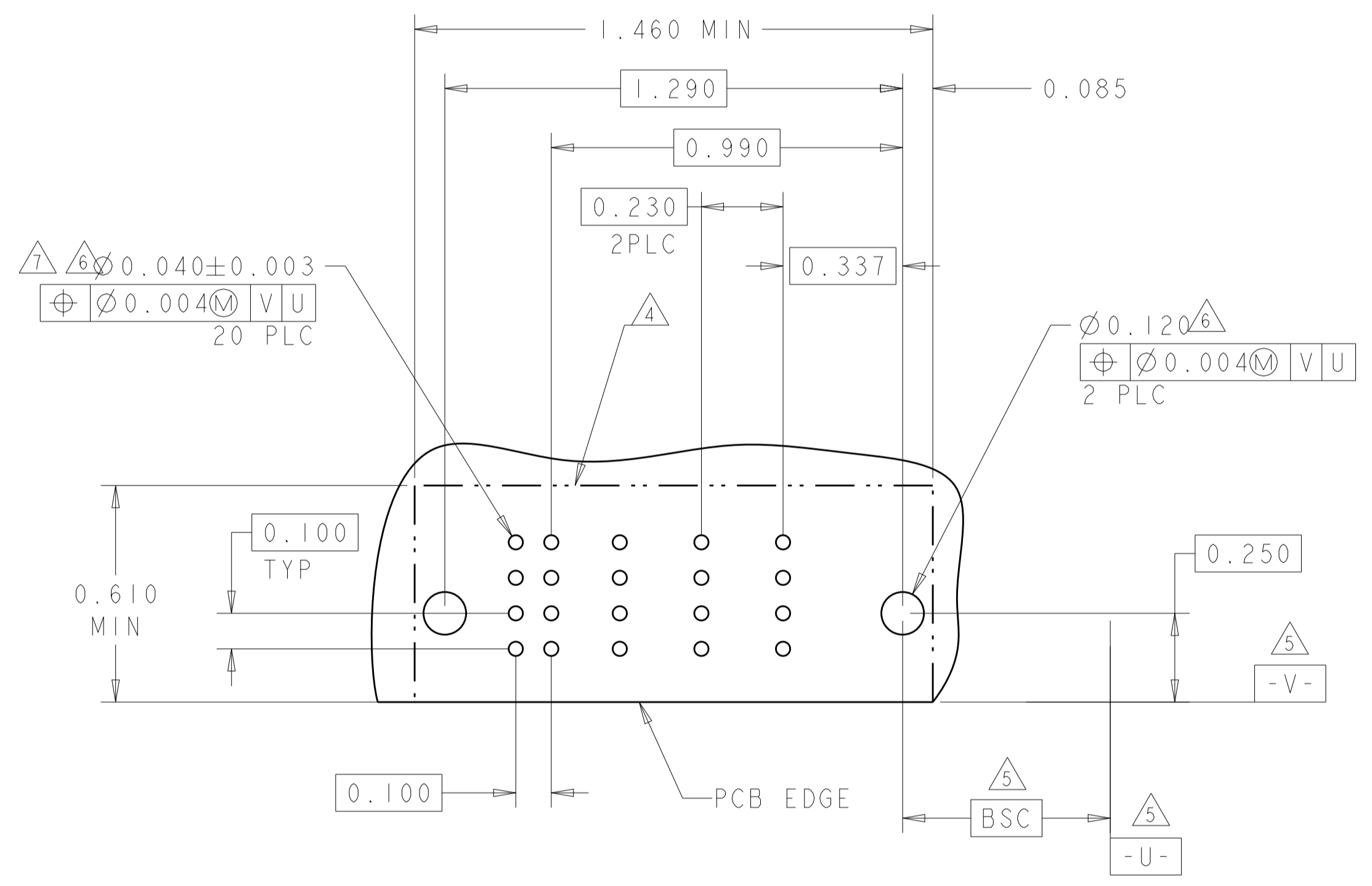
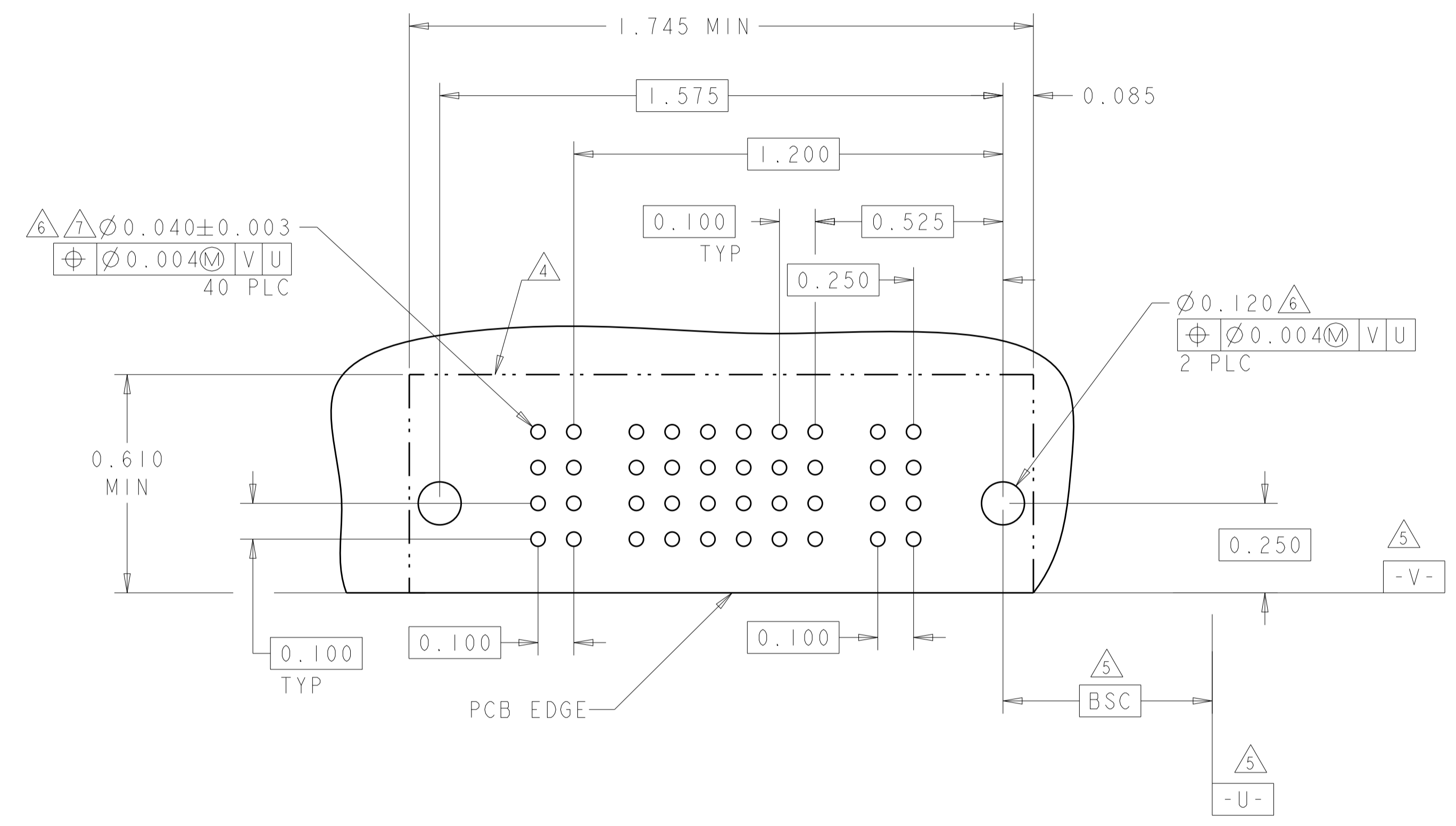
PCB LAYOUT FOR P/N: 6450880-4 ; 6450880-8 AND 2-6450880-3

THIS DRAWING IS A CONTROLLED DOCUMENT.		DMN S. ZHAO 25MAY2007	 TE Connectivity
DIMENSIONS: INCHES		CHK S. ZHAO 25MAY2007	
TOLERANCES UNLESS OTHERWISE SPECIFIED:		APPV S. ZHAO 25MAY2007	
0 PLC ±.1 1 PLC ±.01 2 PLC ±.01 3 PLC ±.005 4 PLC ±.002 ANGLES ±.020 FINISH		PRODUCT SPEC 108-2292 APPLICATION SPEC 114-13251 WEIGHT CUSTOMER DRAWING	
NAME RIGHT ANGLE RECEPTACLE WITH LP CONTACT AND SHORT END MODULES MULTI-BEAM XLE SIZE CAGE CODE DRAWING NO. A100779C=6450880 RESTRICTED TO			SCALE 4:1 SHEET 4 OF 13 REV F5

LOC		DIST		REVISIONS				
P	LTN	DATE	DMN	APVD	DESCRIPTION	DATE	DMN	APVD
-	-	-	-	-	SEE SHEET 1	-	-	-

PART NUMBER	ROWS	POWER		SIGNAL						POWER		
		P2	P1	6	5	4	3	2	1	P2	P1	
6450880-5	D	RS	RS	D	D	D	D	D	D	D	RS	RS
	C			C	C	C	C	C				
	B			B	B	B	B	B				
	A			A	A	A	A	A				
IP + 24S + IP												

PART NUMBER	ROWS	SIGNAL		POWER					
		2	1	LP6	LP5	LP4	LP3	LP2	LP1
6450880-6	D	D	D	LS	LS	LS	LS	LS	LS
	C	C							
	B	B							
	A	A							
6LP + 8S									

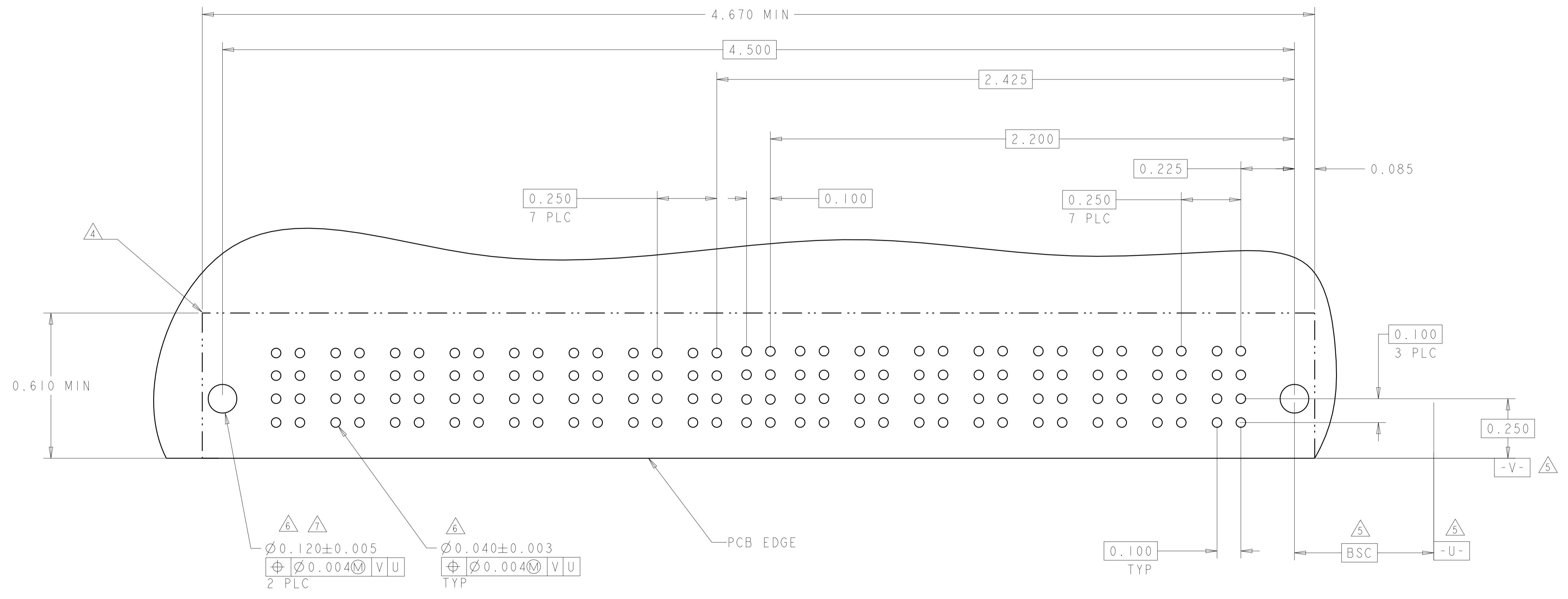


THIS DRAWING IS A CONTROLLED DOCUMENT.		DMN S. ZHAO 25MAY2007	
DIMENSIONS: INCHES		CHK S. ZHAO 25MAY2007	
TOLERANCES UNLESS OTHERWISE SPECIFIED:		APVD S. ZHAO 25MAY2007	
0 PLC ±.1 1 PLC ±.01 2 PLC ±.005 3 PLC ±.002 4 PLC ±.002 ANGLES ±.2° FINISH		NAME: RIGHT ANGLE RECEPTACLE WITH LP CONTACT AND SHORT END MODULES MULTI-BEAM XLE PRODUCT SPEC: 108-2292 APPLICATION SPEC: 114-13251 WEIGHT: - CUSTOMER DRAWING	
MATERIAL: -		SIZE: A100779	RESTRICTED TO: -
SCALE: 4:1		SHEET 5 OF 13	REV: F5

LOC		DIST		REVISIONS			
ES	00	P	LTH	DESCRIPTION	DATE	DWN	APVD
		-		SEE SHEET 1	-	-	-

PART NUMBER	ROWS	POWER									SIGNAL		POWER								
		P16	P15	P14	P13	P12	P11	P10	P9			P8	P7	P6	P5	P4	P3	P2	P1		
6450880-7	D C B A	RS	RS	RS	RS	RS	RS	RS	RS	RS	D	D	RS	RS	RS	RS	RS	RS	RS	RS	
											C	C									
												B	B								
												A	A								
8P + 8S + 8P																					

(DI)



THIS DRAWING IS A CONTROLLED DOCUMENT.

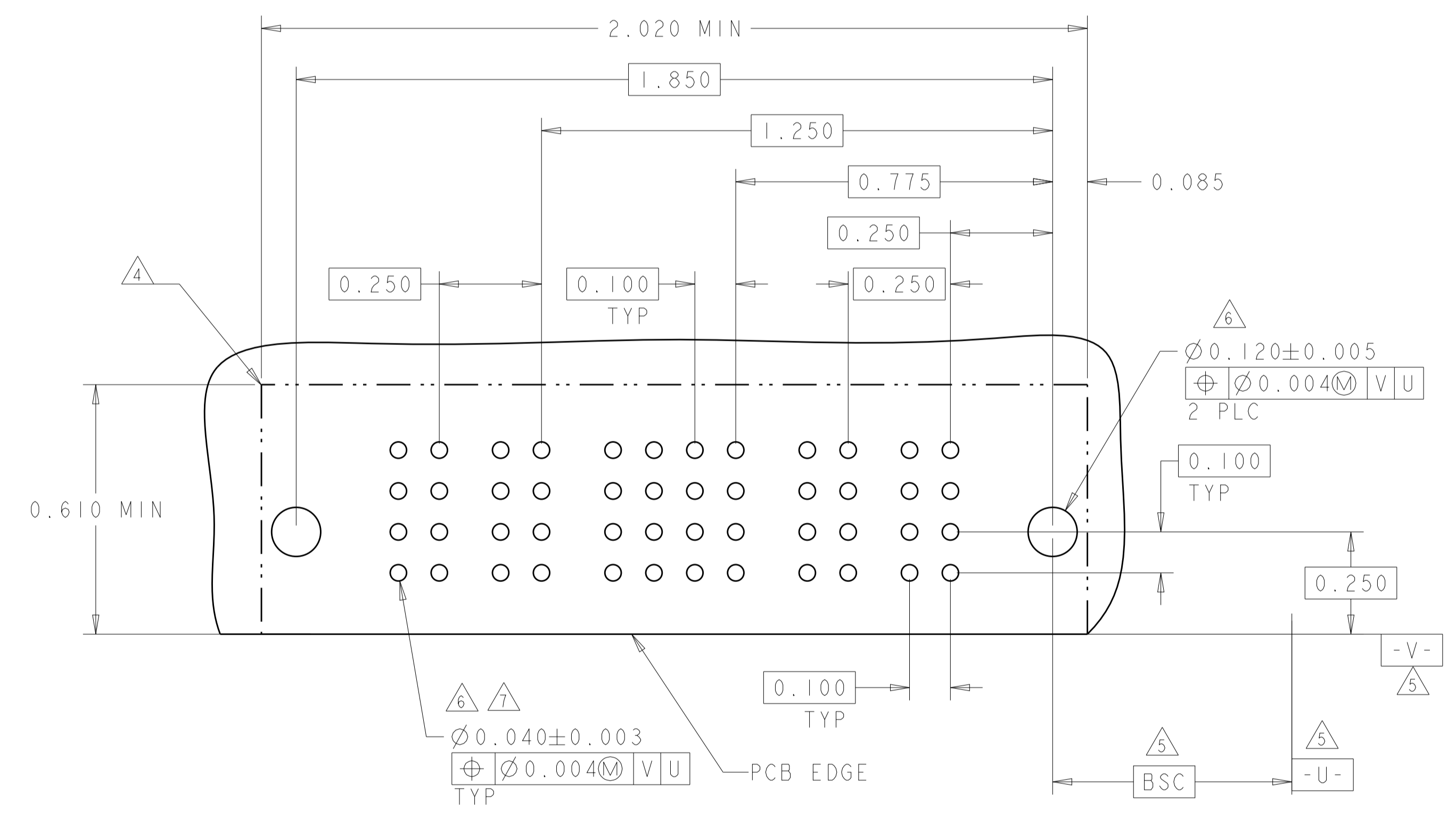
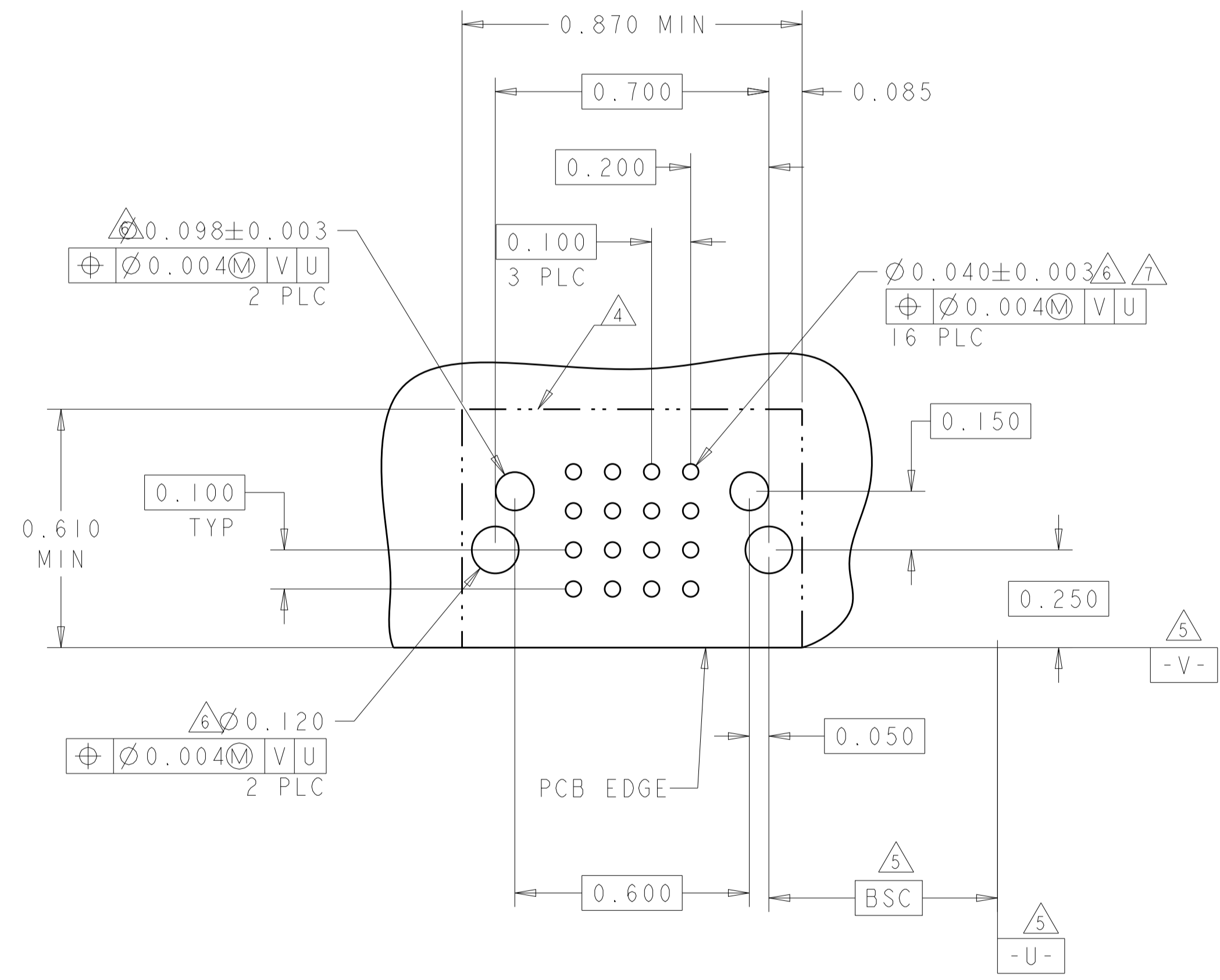
DWN: S. ZHAO	25MAY2007	TE Connectivity NAME: RIGHT ANGLE RECEPTACLE WITH LP CONTACT AND SHORT END MODULES MULTI-BEAM XLE
CHK: S. ZHAO	25MAY2007	
APPV: S. ZHAO	25MAY2007	
APVD: S. ZHAO	25MAY2007	
DIMENSIONS: INCHES	TOLERANCES UNLESS OTHERWISE SPECIFIED:	PRODUCT SPEC
0 PLC ±.1	1 PLC ±.01	108-2292
2 PLC ±.01	3 PLC ±.005	APPLICATION SPEC
4 PLC ±.0020	ANGLES ±.020	114-13251
MATERIAL: -	FINISH: -	WEIGHT: -
CUSTOMER DRAWING		SCALE: 4:1

SIZE: A1 CAGE CODE: 100779 C=6450880 SHEET 6 OF 13 REV F5

LOC	DIST	REVISIONS			
ES	00	REV	DATE	BY	APPD
-	-	SEE SHEET 1	-	-	-

PART NUMBER	ROWS	SIGNAL			
		4	3	2	1
I-6450880-0	D	D	D	D	D
	C	C	C	C	C
	B	B	B	B	B
	A	A	A	A	A
16S		HD			HD

PART NUMBER	ROWS	POWER		SIGNAL				POWER	
		P4	P3	4	3	2	1	P2	P1
I-6450880-5	D	RS	RS	D	D	D	D	RS	RS
	C			C	C	C			
	B			B	B	B			
	A			A	A	A			
2P + 16S + 2P									

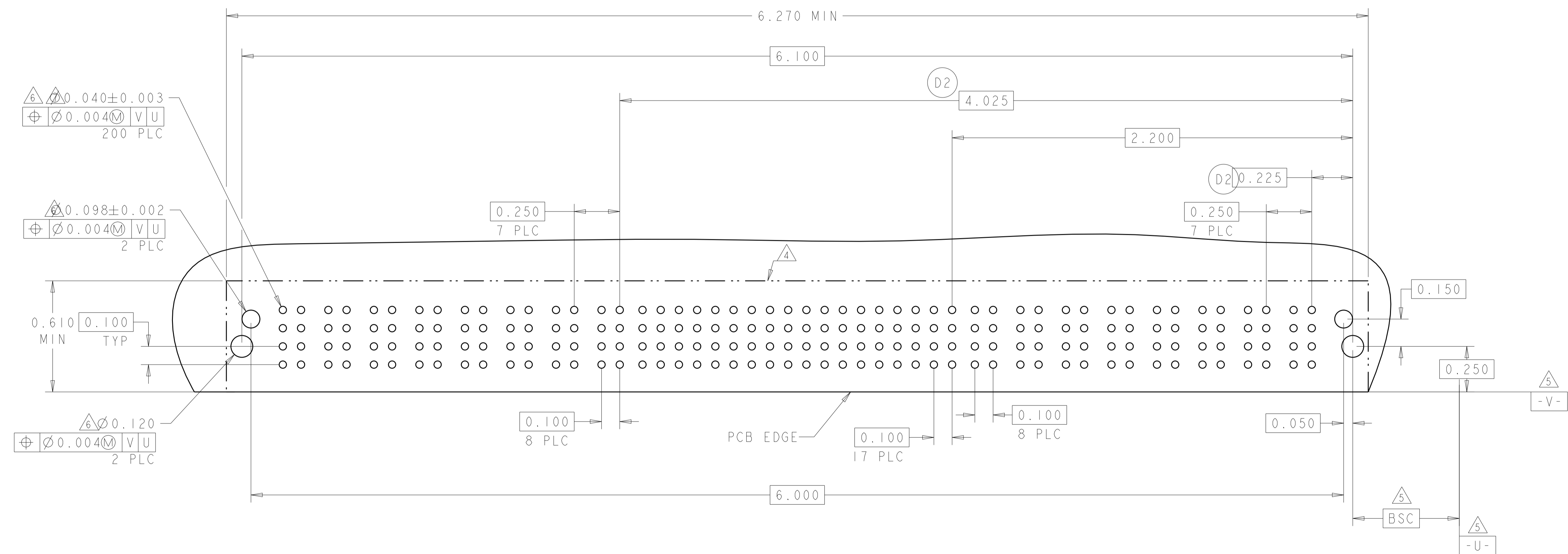


THIS DRAWING IS A CONTROLLED DOCUMENT.		DWN: S. ZHAO 25MAY2007	STE TE Connectivity
DIMENSIONS: INCHES		CHK: S. ZHAO 25MAY2007	
TOLERANCES UNLESS OTHERWISE SPECIFIED:		APVD: S. ZHAO 25MAY2007	NAME: RIGHT ANGLE RECEPTACLE WITH LP CONTACT AND SHORT END MODULES MULTI-BEAM XLE
0 PLC ±.1		PRODUCT SPEC: 108-2292	SIZE: A1
1 PLC ±.01		APPLICATION SPEC: 114-13251	CAGE CODE: 6450880
2 PLC ±.005		WEIGHT: -	RESTRICTED TO: -
3 PLC ±.0020		CUSTOMER DRAWING	SCALE: 4:1 SHEET 7 OF 13 REV: F5
ANGLES: ±.7°			
FINISH: -			

LOC	DIST	REVISIONS				
		REV	DATE	BY	APPV	
ES	00	-		-	-	
		-	SEE SHEET 1	-	-	

PART NUMBER	ROWS	POWER							SIGNAL														POWER																								
		P16	P15	P14	P13	P12	P11	P10	18	17	16	15	14	13	12	11	10	9	8	7	6	5	4	3	2	1	P8	P7	P6	P5	P4	P3	P2	P1													
I-6450880-1	D	RP	RS	RS	RS	RS	RS	RS	D	D	D	D	D	D	D	D	D	D	D	D	D	D	D	D	D	D	D	D	RS	RS	RS	RS	RS	RS	RP	HD											
	C								C	C	C	C	C	C	C	C	C	C	C	C	C	C	C	C	C	C	C	C									C	C	C	C	C	C	C	C	C		
	B								B	B	B	B	B	B	B	B	B	B	B	B	B	B	B	B	B	B	B	B									B	B	B	B	B	B	B	B	B	B	B
	A								A	A	A	A	A	A	A	A	A	A	A	A	A	A	A	A	A	A	A	A									A	A	A	A	A	A	A	A	A	A	A

8P + 72S + 8P



THIS DRAWING IS A CONTROLLED DOCUMENT. DWN: S. ZHAO 25MAY2007
CHK: S. ZHAO 25MAY2007
APPV: S. ZHAO 25MAY2007

DIMENSIONS: INCHES. TOLERANCES UNLESS OTHERWISE SPECIFIED:

0 PLC	±
1 PLC	±.1
2 PLC	±.01
3 PLC	±.005
4 PLC	±.0020
ANGLES	±.002
FINISH	AS SUPPLIED

MATERIAL: -

THIS DRAWING IS A CONTROLLED DOCUMENT. DWN: S. ZHAO 25MAY2007
CHK: S. ZHAO 25MAY2007
APPV: S. ZHAO 25MAY2007

PRODUCT SPEC: 108-2292
APPLICATION SPEC: 114-13251
WEIGHT: -

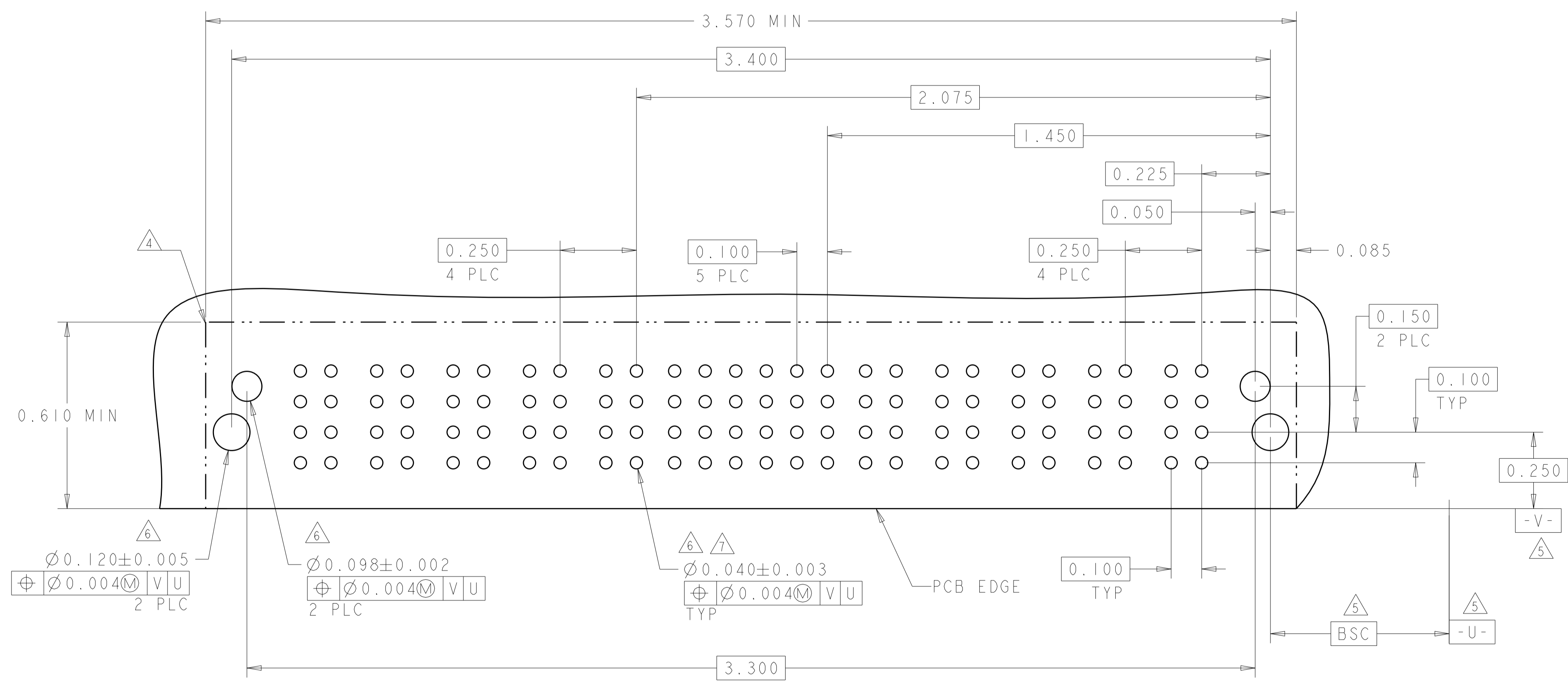
NAME: RIGHT ANGLE RECEPTACLE WITH LP CONTACT AND SHORT END MODULES MULTI-BEAM XLE
SIZE: A1
CAGE CODE: 6450880
DRAWING NO: 100779

CUSTOMER DRAWING

SCALE: 4:1 SHEET: 8 OF 13 REV: F5

TE Connectivity

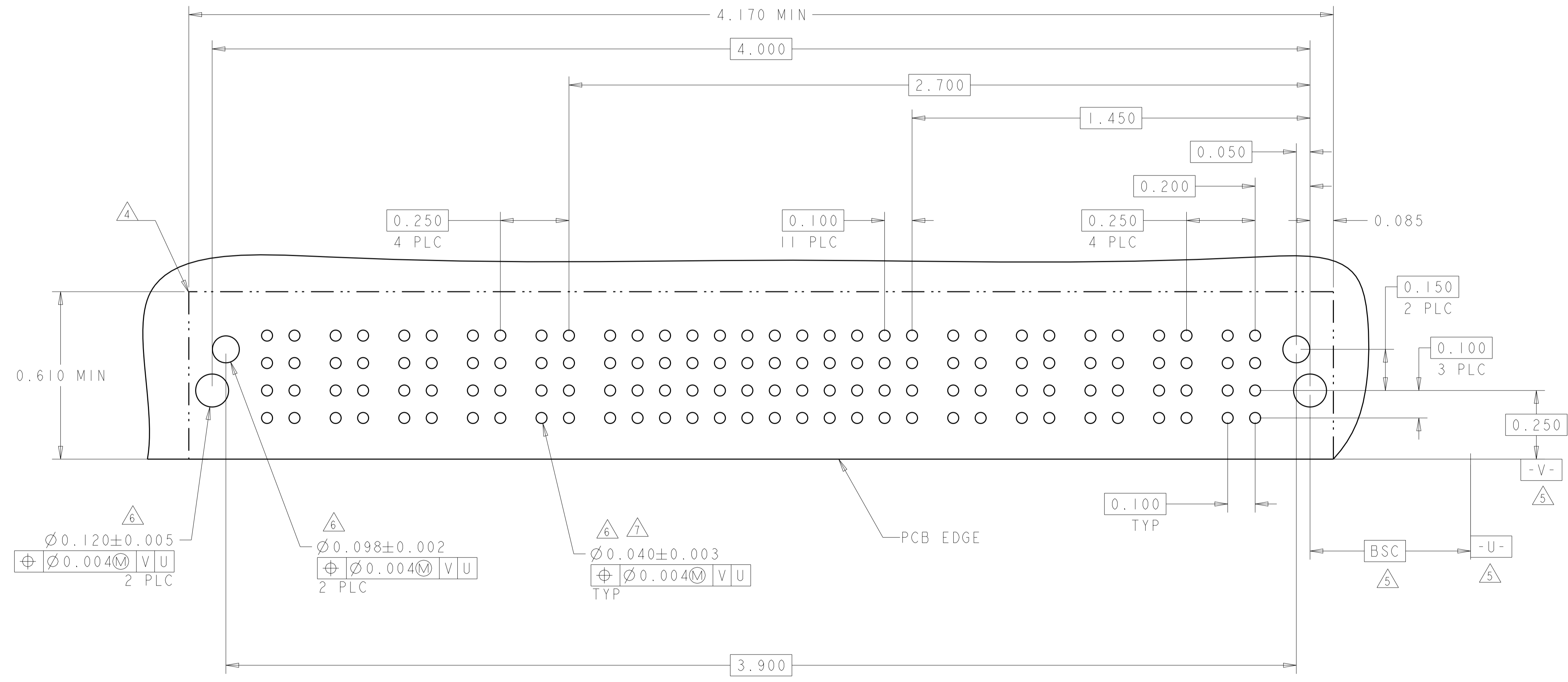
PART NUMBER	ROWS	POWER					SIGNAL						POWER				
		P10	P9	P8	P7	P6	6	5	4	3	2	1	P5	P4	P3	P2	P1
I-6450880-7	D C B A	RS	RS	RS	RS	RS	D	D	D	D	D	D	RS	RS	RS	RS	RS
							C	C	C	C	C	C					
							B	B	B	B	B	B					
							A	A	A	A	A	A					
5P + 24S + 5P																	



THIS DRAWING IS A CONTROLLED DOCUMENT.		OWN S. ZHAO 25MAY2007	 TE Connectivity
DIMENSIONS: INCHES		CHK S. ZHAO 25MAY2007	
TOLERANCES UNLESS OTHERWISE SPECIFIED:		APVD S. ZHAO 25MAY2007	NAME
0 PLC ±.1			RIGHT ANGLE RECEPTACLE WITH LP CONTACT AND SHORT END MODULES MULTI-BEAM XLE
1 PLC ±.1			PRODUCT SPEC
2 PLC ±.01			108-2292
3 PLC ±.005			APPLICATION SPEC
4 PLC ±.0020			114-13251
ANGLES ±.2°			SIZE CAGE CODE DRAWING NO
FINISH			A100779C=6450880
MATERIAL			RESTRICTED TO
CUSTOMER DRAWING		SCALE 4:1	SHEET 9 OF 13 REV F5

LOC	DIST	REVISIONS					
ES	00	P	LTN	DESCRIPTION	DATE	DWN	APVD
		-		SEE SHEET 1			

PART NUMBER	ROWS	POWER					SIGNAL										POWER										
		P10	P9	P8	P7	P6	12	11	10	9	8	7	6	5	4	3	2	1	P5	P4	P3	P2	P1				
I-6450880-8	D	RS	RS	RS	RS	RS	D	D	D	D	D	D	D	D	D	D	D	D	D	RS	RS	RS	RS	RS			
	C						C	C	C	C	C	C	C	C	C	C	C	C	C						C	C	
	B						B	B	B	B	B	B	B	B	B	B	B	B	B						B	B	B
	A						A	A	A	A	A	A	A	A	A	A	A	A	A						A	A	A
5P + 48S + 5P																											



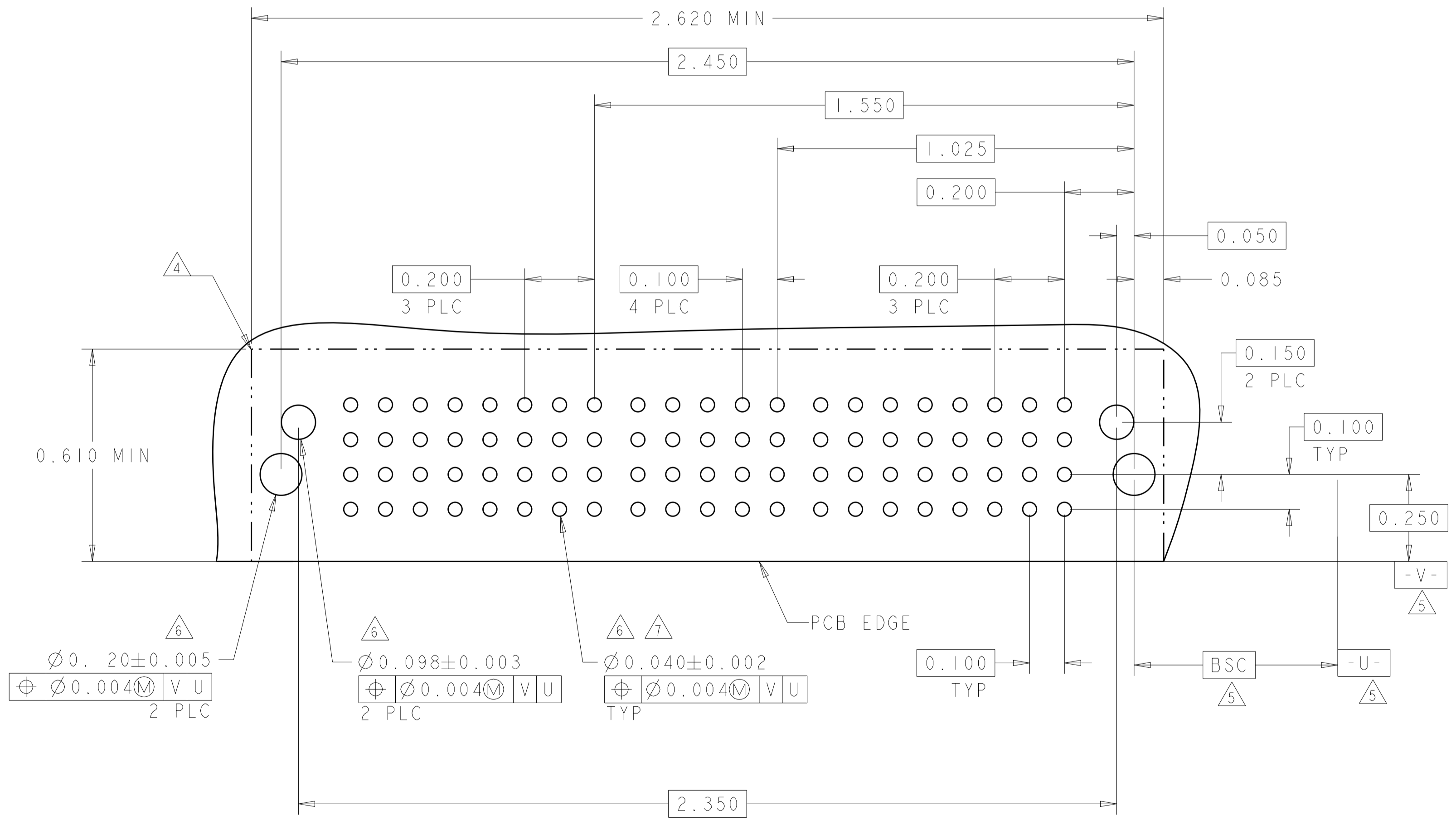
THIS DRAWING IS A CONTROLLED DOCUMENT.

DIMENSIONS: INCHES	TOLERANCES UNLESS OTHERWISE SPECIFIED: 0 PLC ±.1 1 PLC ±.01 2 PLC ±.01 3 PLC ±.005 4 PLC ±.002 ANGLES ±.2°	DWN S. ZHAO 25MAY2007 CHK S. ZHAO 25MAY2007 APVD S. ZHAO 25MAY2007	NAME RIGHT ANGLE RECEPTACLE WITH LP CONTACT AND SHORT END MODULES MULTI-BEAM XLE
MATERIAL	FINISH	PRODUCT SPEC 108-2292 APPLICATION SPEC 114-13251	SIZE A100779
CUSTOMER DRAWING		WEIGHT	RESTRICTED TO

SCALE 4:1 SHEET 10 OF 13 REV F5

LOC	DIST	REVISIONS					
ES	00	P	LTH	DESCRIPTION	DATE	DWN	APVD
		-		SEE SHEET 1	-	-	-

PART NUMBER	ROWS	POWER				SIGNAL					POWER			
		P8	P7	P6	P5	5	4	3	2	1	P4	P3	P2	P1
I-6450880-9	D	RS	RS	RS	RS	D	D	D	D	D	RS	RS	RS	RS
	C					C	C	C	C					
	B					B	B	B	B					
	A					A	A	A	A					
4HDP + 20S + 4HDP														

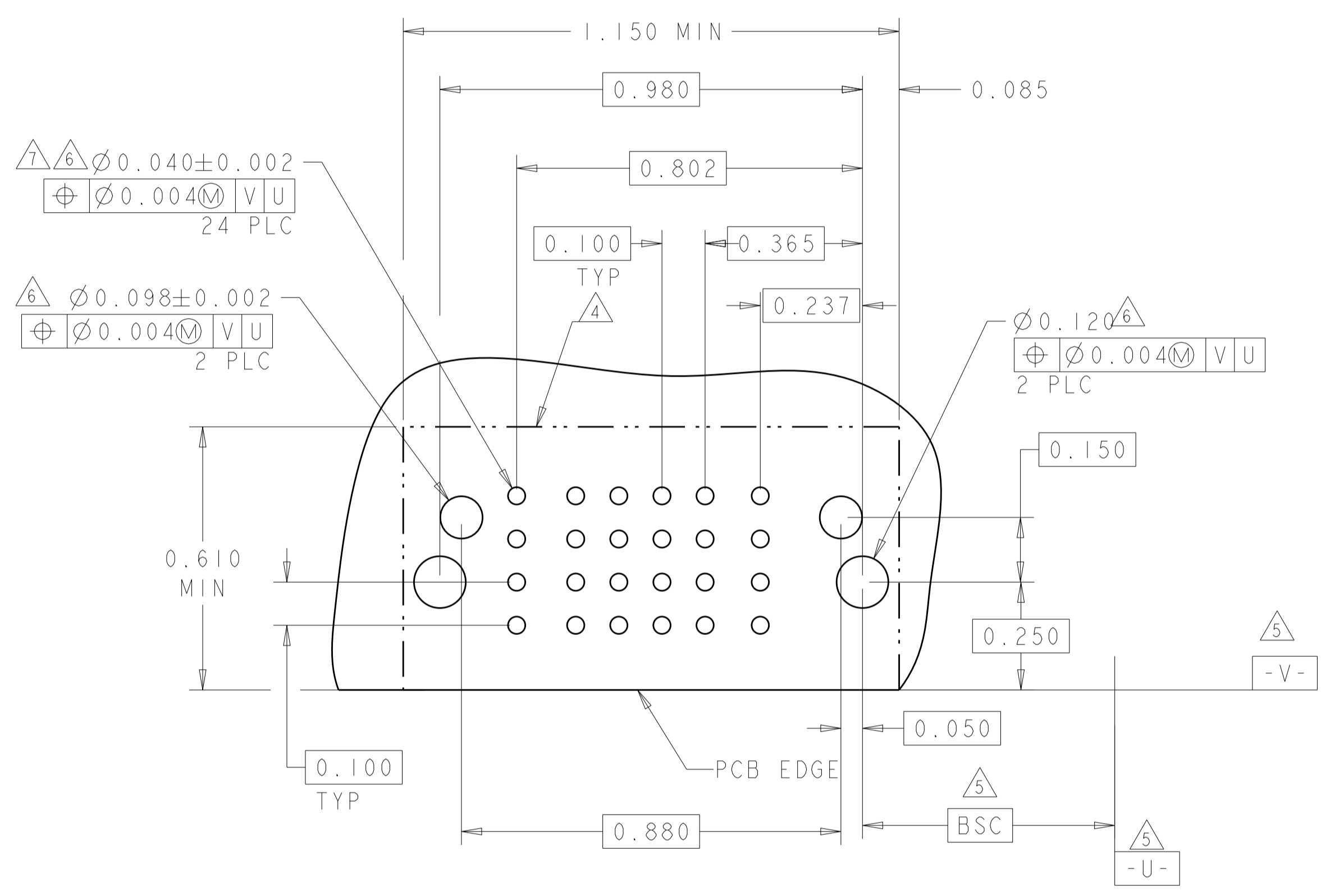


THIS DRAWING IS A CONTROLLED DOCUMENT.		DWN S. ZHAO 25MAY2007	
DIMENSIONS: INCHES		CHK S. ZHAO 25MAY2007	
TOLERANCES UNLESS OTHERWISE SPECIFIED:		APVD S. ZHAO 25MAY2007	
0 PLC ±. 1 PLC ±.1 2 PLC ±.01 3 PLC ±.005 4 PLC ±.002 ANGLES ±.7°		NAME RIGHT ANGLE RECEPTACLE WITH LP CONTACT AND SHORT END MODULES MULTI-BEAM XLE PRODUCT SPEC 108-2292 APPLICATION SPEC 114-13251 WEIGHT - CUSTOMER DRAWING	
MATERIAL	FINISH	SIZE CAGE CODE DRAWING NO A100779C=6450880	RESTRICTED TO
		SCALE 4:1	SHEET 11 OF 13
		REV F5	

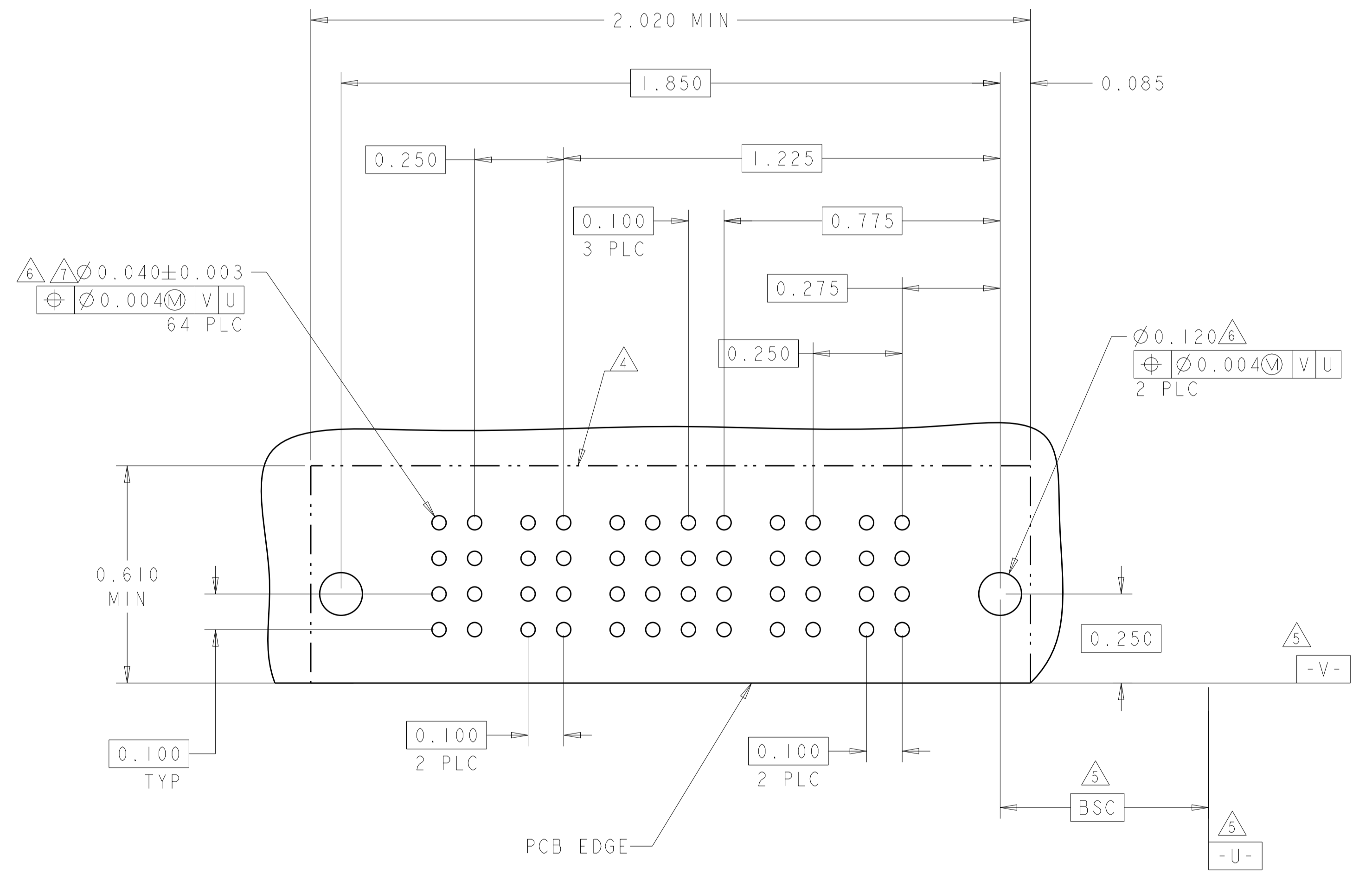
LOC	DIST	REVISIONS			
P	LTN	DESCRIPTION	DATE	DMN	APVD
-	-	SEE SHEET 1	-	-	-

PART NUMBER	ROWS	POWER	SIGNAL				POWER
			P2	4	3	2	
2-6450880-0	D C B A	LS	D C B A	D C B A	D C B A	D C B A	LS
ILP + 16S + ILP							

E7



PART NUMBER	ROWS	POWER	SIGNAL				POWER	
			P4	P3	4	3		2
2-6450880-6	D C B A	RS	D C B A	D C B A	D C B A	D C B A	RS	RS
2P + 16S + 2P								



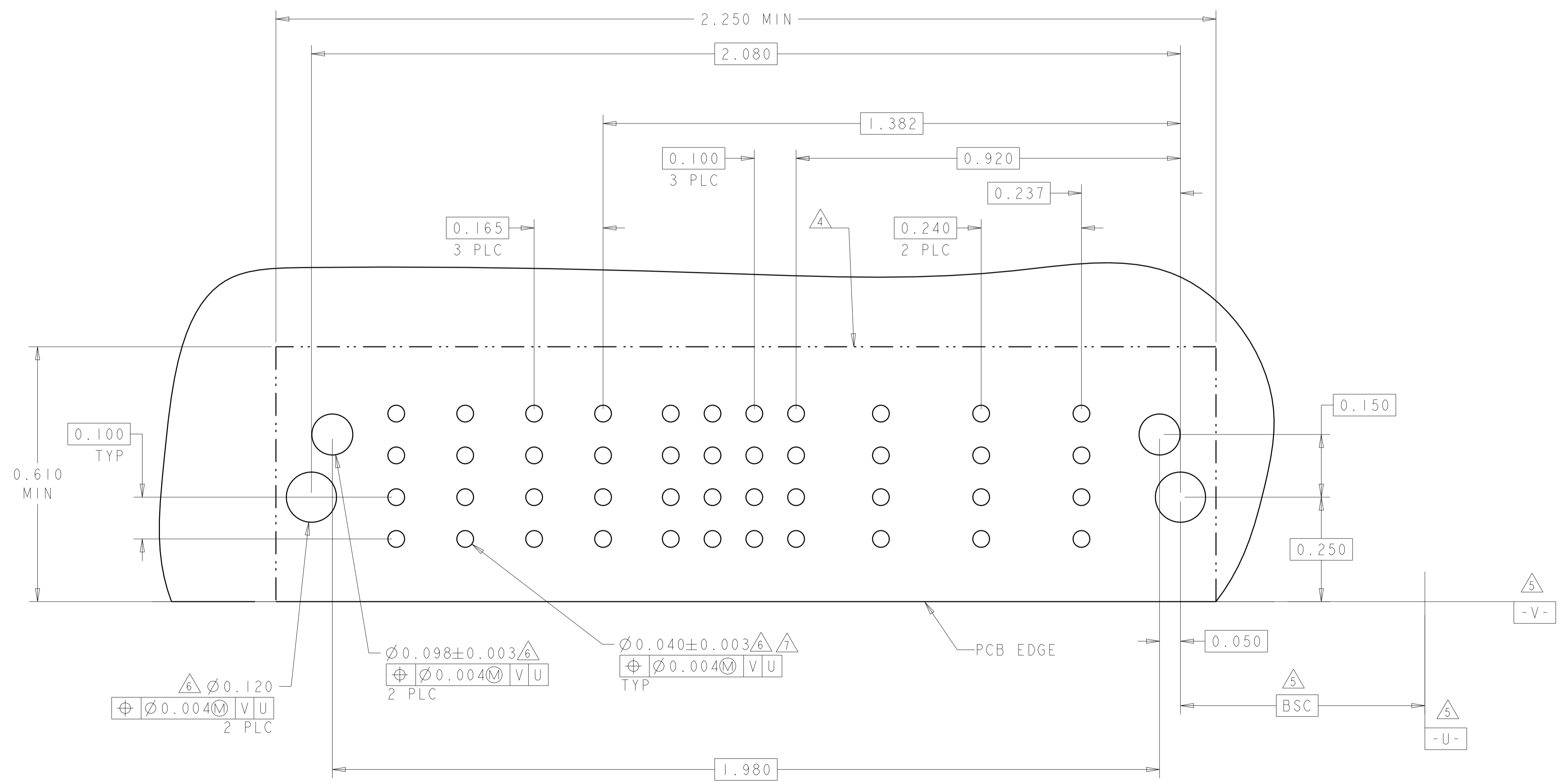
THIS DRAWING IS A CONTROLLED DOCUMENT.

DIMENSIONS: INCHES	TOLERANCES UNLESS OTHERWISE SPECIFIED:	DMN S. ZHAO 25MAY2007	CHK S. ZHAO 25MAY2007	APVD S. ZHAO 25MAY2007	NAME
0 PLC ±.1	1 PLC ±.1	PRODUCT SPEC	RIGHT ANGLE RECEPTACLE WITH LP CONTACT AND SHORT END MODULES MULTI-BEAM XLE		
2 PLC ±.01	3 PLC ±.005	APPLICATION SPEC	SIZE	CAGE CODE	DRAWING NO
4 PLC ±.0020	ANGLES ±.2°	FINISH	114-13251	108-2292	100779
MATERIAL	FINISH	WEIGHT	114-13251	108-2292	6450880
CUSTOMER DRAWING			SCALE	SHEET	REV
			4:1	12 OF 13	F5

STE TE Connectivity

LOC	DIST	REVISIONS					
ES	00	P	LTH	DESCRIPTION	DATE	DWN	APVD
		-		SEE SHEET 1		-	-

PART NUMBER	ROWS	POWER				SIGNAL				POWER		
		LP7	LP6	LP5	LP4	4	3	2	1	LP3	LP2	LP1
2-6450880-7	D	LS	LS	LS	LS	D	D	D	D	LS	LS	LS
	C					C	C	C				
	B					B	B	B				
	A					A	A	A				
3LP + 16S + 4LP		HD										



THIS DRAWING IS A CONTROLLED DOCUMENT.		DWN: S. ZHAO 25MAY2007	 TE Connectivity	
DIMENSIONS: INCHES		CHK: S. ZHAO 25MAY2007		
 TOLERANCES UNLESS OTHERWISE SPECIFIED: 0 PLC ±.1 1 PLC ±.1 2 PLC ±.01 3 PLC ±.005 4 PLC ±.002 ANGLES ±.2°		APVD: S. ZHAO 25MAY2007		
MATERIAL: -		FINISH: -		
PRODUCT SPEC: 108-2292 APPLICATION SPEC: 114-13251 WEIGHT: -		NAME: RIGHT ANGLE RECEPTACLE WITH LP CONTACT AND SHORT END MODULES MULTI-BEAM XLE SIZE: A1 CAGE CODE: 00779 DRAWING NO: C=6450880	RESTRICTED TO: -	
CUSTOMER DRAWING		SCALE: 4:1	SHEET 13 OF 13	REV: F5

Mouser Electronics

Authorized Distributor

Click to View Pricing, Inventory, Delivery & Lifecycle Information:

[TE Connectivity:](#)

[1-6450880-8](#)