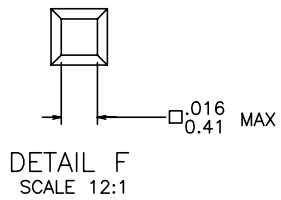
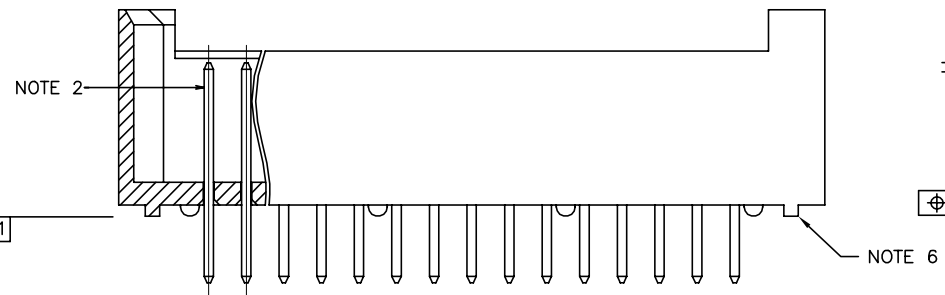
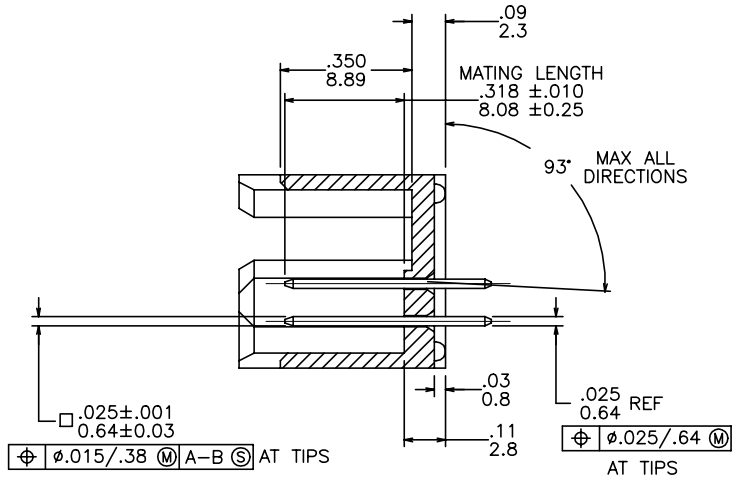
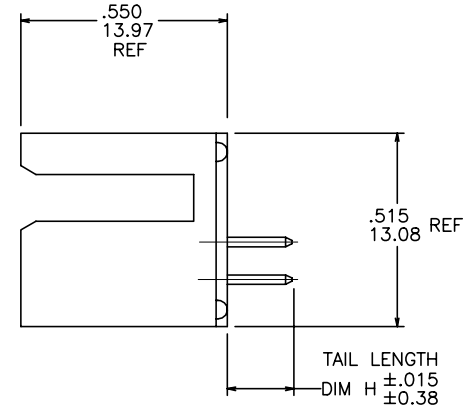
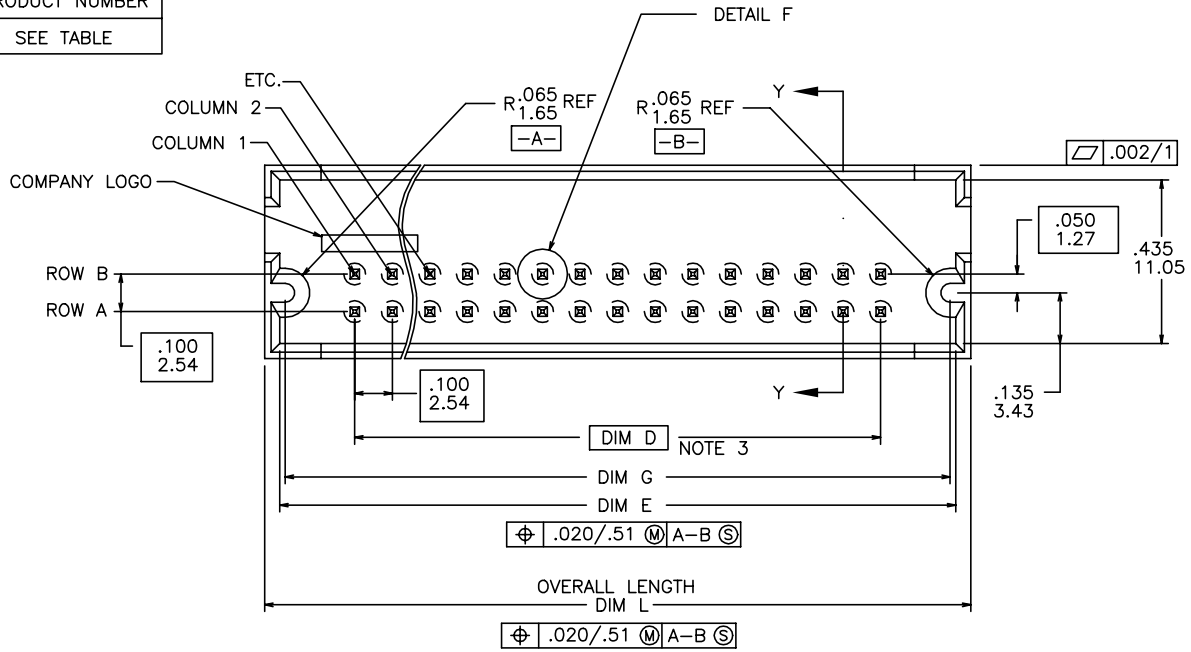


PRODUCT NUMBER
SEE TABLE



mat'l. code		surface		tolerance		projection		product family	
NOTES 1 & 5		ISO 1302 ✓		ISO 406 ISO 1101				HEADERS	
ltr	ecn no	dr	date	tolerances unless otherwise specified		title			
AD	EX-N-14106	DCS	2013-02-06	angles	linear	$XX \pm .01 / XX \pm 0.3$ $XXX \pm .005 / XXX \pm 0.13$ $XXXX \pm .0020 / XXX \pm 0.05$		VERTICAL 2-ROW GUIDE PIN (SLOTTED) HEADER-SOLDER TAILS	
X	V81283	EPK	10/14/98	0° ±2'		INCH/MM		sheet 1 of 3 size	
Y	V03-0342	GJP	3/21/03	dr	S. ROYER	scale 2:1		A3	
AA	M05-0089	MHT	5/16/05	engr	A. MCNEE			67273	
AB	M07-0116	AGS	2/19/07	chr	A. MCNEE			type Product Customer Drawing	
AC	M09-0059	MHT	4/16/09	appd	A. MCNEE				
sheet	revision	AD	AD	AD	AD				
index	sheet	1	2	3	3				

PRODUCT NUMBER NOTE 4 & 7	SIZE NOTE 4	TAIL LENGTH DIM H	DIM D	DIM G	DIM E	OVERALL LENGTH DIM L	PLATING NOTE 10
67273-XXX	2 x XXX	.177/4.50	NOTE 3	.37/.94+DIM D	.40/10.2+DIM D	.48/12.2+DIM D	30u"/.76u Au OVER 50u"/1.27u Ni
67274-XXX		.177/4.50					15u"/.38u Au OVER 50u"/1.27u Ni
67275-XXX		.177/4.50					GOLD FLASH OVER 50u"/1.27u Ni
67276-XXX		.177/4.50					120u"/3.05u Sn OVER 50u"/1.27u Ni
68513-XXX		.122/3.10					30u"/.76u Au OVER 50u"/1.27u Ni
68581-XXX		.177/4.50					30u"/.76u GXT™ OVER 50u"/1.27u Ni
68839-XXX		.177/4.50					15u"/.38u GXT™ OVER 50u"/1.27u Ni
69291-XXX		.177/4.50					DUPLEX 15u"/.38u Au & 100u"/2.54u Sn OVER 50u"/1.27u Ni
69292-XXX		.177/4.50					DUPLEX 30u"/.76u Au & 100u"/2.54u Sn OVER 50u"/1.27u Ni
69695-XXX		.177/4.50					50u"/1.27u Au OVER 50u"/1.27u Ni
78580-XXX		.122/3.10					30u"/.76u GXT™ OVER 50u"/1.27u Ni
78942-XXX		.122/3.10					120u"/3.05u Sn OVER 50u"/1.27u Ni
78943-XXX		.122/3.10					15u"/.38u GXT™ OVER 50u"/1.27u Ni
78944-XXX		.122/3.10					15u"/.38u Au OVER 50u"/1.27u Ni
90350-XXX		.122/3.10					DUPLEX 30u"/.76u Au & 100u"/2.54u Sn OVER 50u"/1.27u Ni
95737-XXX	2 x XXX	.100/2.54	NOTE 3	.37/.94+DIM D	.40/10.2+DIM D	.48/12.2+DIM D	30u"/.76u GXT™ OVER 50u"/1.27u Ni

NOTES :

- ① MOLDING MATERIAL : HI-TEMP RESIN
PER UL 94 V-0 COLOR : NATURAL
- ② PIN RETENTION TO BE 3 LBS/1.36 KG
MIN PER PIN IN EITHER DIRECTION.
- ③ DIM D =
(NO. OF COLUMNS-1) TIMES .100(ENGLISH)
(NO. OF COLUMNS-1) TIMES 2.54(METRIC)
- ④ -XXX REPRESENTS NO. OF COLUMNS
(i.e. 2 x 5 PART IS -005)
-001 THRU -004 ARE NOT AVAILABLE,
-005 THRU -050 ARE AVAILABLE.
- ⑤ TERMINAL MATERIAL : 3/4/HARD PHOS BRONZE ALLOY
UNS C51000
- ⑥ FLATNESS IS MEASURED FROM THE BOTTOM
OF THE END STANDOFFS.
- ⑦ ADD "LF" SUFFIX AT THE END OF PART NUMBER FOR LEAD FREE OPTION.
8. THE HOUSING WILL WITHSTAND EXPOSURE TO 260°C PEAK TEMPERATURE
FOR 15 SECONDS IN A WAVE SOLDER APPLICATION WITH A 1.5mm
MINIMUM THICK CIRCUIT BOARD. SEE APPLICATION NOTES/PROCEDURES
IF THEY ARE AVAILABLE.
- ⑨ THESE PRODUCT MEETS EUROPEAN UNION DIRECTIVES AND OTHER
COUNTRY REGULATION AS DESCRIBED IN GS-22-008.
- ⑩ PLATING OPTIONS:
MAY BE EITHER GOLD OR GXT PLATED AT MANUFACTURER'S OPTION.
11. FOR 67273 SERIES PLATING OPTIONS:
-XXX=0XX,MAY BE EITHER GOLD OR GXT PLATED AT MANUFACTURER'S OPTION.
-XXX=GXX,GOLD PLATING ONLY

mat'l. code		surface		tolerance		projection		product family	
NOTES 1 & 5		ISO 1302 ✓		ISO 406 ISO 1101				HEADERS	
ltr	ecn	no	dr	date		tolerances unless otherwise specified		title	
AD						angles linear .XX±.01/.XX±0.3 .XXX±.005/.XX±0.13 .XXXX±.0020/.XXX±0.05		INCH/MM VERTICAL 2-ROW GUIDE PIN (SLOTTED) HEADER-SOLDER TAILS	
						dr S. ROYER 3/28/90 engr A. MCNEE 3/28/90 chr A. MCNEE 3/28/90 appd A. MCNEE 3/28/90		scale 2:1 dwg no 67273 sheet 2 of 3 size A3	
sheet index		revision sheet						type Product Customer Drawing	

PRODUCT NUMBER NOTE 4 & 7	SIZE NOTE 4	TAIL LENGTH DIM H	DIM D	DIM G	DIM E	OVERALL LENGTH DIM L	PLATING
67273-XXXLF	2 x XXX	.177/4.50	NOTE 3	.37/.94+DIM D	.40/10.2+DIM D	.48/12.2+DIM D	30u"/.76u Au OVER 50u"/1.27u Ni
67274-XXXLF		.177/4.50					15u"/.38u Au OVER 50u"/1.27u Ni
67275-XXXLF		.177/4.50					GOLD FLASH OVER 50u"/1.27u Ni
67276-XXXLF		.177/4.50					100u"/2.54u PURE Sn OVER 50u"/1.27u Ni
68513-XXXLF		.122/3.10					30u"/.76u Au OVER 50u"/1.27u Ni
68581-XXXLF		.177/4.50					30u"/.76u GXT™ OVER 50u"/1.27u Ni
68839-XXXLF		.177/4.50					15u"/.38u GXT™ OVER 50u"/1.27u Ni
69291-XXXLF		.177/4.50					DUPLEX 15u"/.38u Au & 100u"/2.54u PURE Sn OVER 50u"/1.27u Ni
69292-XXXLF		.177/4.50					DUPLEX 30u"/.76u Au & 100u"/2.54u PURE Sn OVER 50u"/1.27u Ni
69695-XXXLF		.177/4.50					50u"/1.27u Au OVER 50u"/1.27u Ni
78580-XXXLF		.122/3.10					30u"/.76u GXT™ OVER 50u"/1.27u Ni
78942-XXXLF		.122/3.10					100u"/2.54u PURE Sn OVER 50u"/1.27u Ni
78943-XXXLF		.122/3.10					15u"/.38u GXT™ OVER 50u"/1.27u Ni
78944-XXXLF		.122/3.10					15u"/.38u Au OVER 50u"/1.27u Ni
90350-XXXLF		.122/3.10					DUPLEX 30u"/.76u Au & 100u"/2.54u PURE Sn OVER 50u"/1.27u Ni
95737-XXXLF	2 x XXX	.100/2.54	NOTE 3	.37/.94+DIM D	.40/10.2+DIM D	.48/12.2+DIM D	30u"/.76u GXT™ OVER 50u"/1.27u Ni

SEE NOTE 11

SEE NOTE 10

mat'l. code NOTES 1 & 5		surface ISO 1302 ✓	tolerance ISO 406 ISO 1101	projection 	product family HEADERS												
ltr	ecn	no	dr	date	tolerances unless otherwise specified												
AD					<table border="1"> <tr> <td>angles</td> <td>linear</td> <td>XXX±.01/XXX±.03</td> </tr> <tr> <td></td> <td></td> <td>XXX±.005/XXX±0.13</td> </tr> <tr> <td></td> <td></td> <td>XXXX±.0020/XXX±0.05</td> </tr> </table>	angles	linear	XXX±.01/XXX±.03			XXX±.005/XXX±0.13			XXXX±.0020/XXX±0.05			
angles	linear	XXX±.01/XXX±.03															
		XXX±.005/XXX±0.13															
		XXXX±.0020/XXX±0.05															
					INCH/MM												
					scale 2:1												
					<table border="1"> <tr> <td>dr</td> <td>S. ROYER</td> <td>3/28/90</td> </tr> <tr> <td>enr</td> <td>A. MCNEE</td> <td>3/28/90</td> </tr> <tr> <td>chr</td> <td>A. MCNEE</td> <td>3/28/90</td> </tr> <tr> <td>appd</td> <td>A. MCNEE</td> <td>3/28/90</td> </tr> </table>	dr	S. ROYER	3/28/90	enr	A. MCNEE	3/28/90	chr	A. MCNEE	3/28/90	appd	A. MCNEE	3/28/90
dr	S. ROYER	3/28/90															
enr	A. MCNEE	3/28/90															
chr	A. MCNEE	3/28/90															
appd	A. MCNEE	3/28/90															
sheet index		revision sheet															

title
VERTICAL 2-ROW GUIDE PIN
(SLOTTED) HEADER-SOLDER TAILS

dwg no 67273 sheet 3 of 3 size A3
type Product Customer Drawing



Mouser Electronics

Authorized Distributor

Click to View Pricing, Inventory, Delivery & Lifecycle Information:

[FCI / Amphenol:](#)

[67273-025](#) [67273-016LF](#) [67273-008](#) [67273-010LF](#) [67273-005](#) [67273-020](#) [67273-040](#) [67273-010](#) [67273-007LF](#)
[67273-015LF](#) [67273-018LF](#) [67273-020LF](#) [67273-024LF](#) [67273-030LF](#) [67273-035LF](#) [67273-040LF](#) [67273-043LF](#)
[67273-048](#) [67273-048LF](#) [67273-012](#) [67273-008LF](#) [67273-006LF](#) [67273-G10](#) [67273-036LF](#) [67273-036](#) [67273-013](#)
[67273-034](#) [67273-006](#) [67273-050](#) [67273-G35](#) [67273-G48](#) [67273-G25](#) [67273-G15](#) [67273-G30](#) [67273-G43](#)