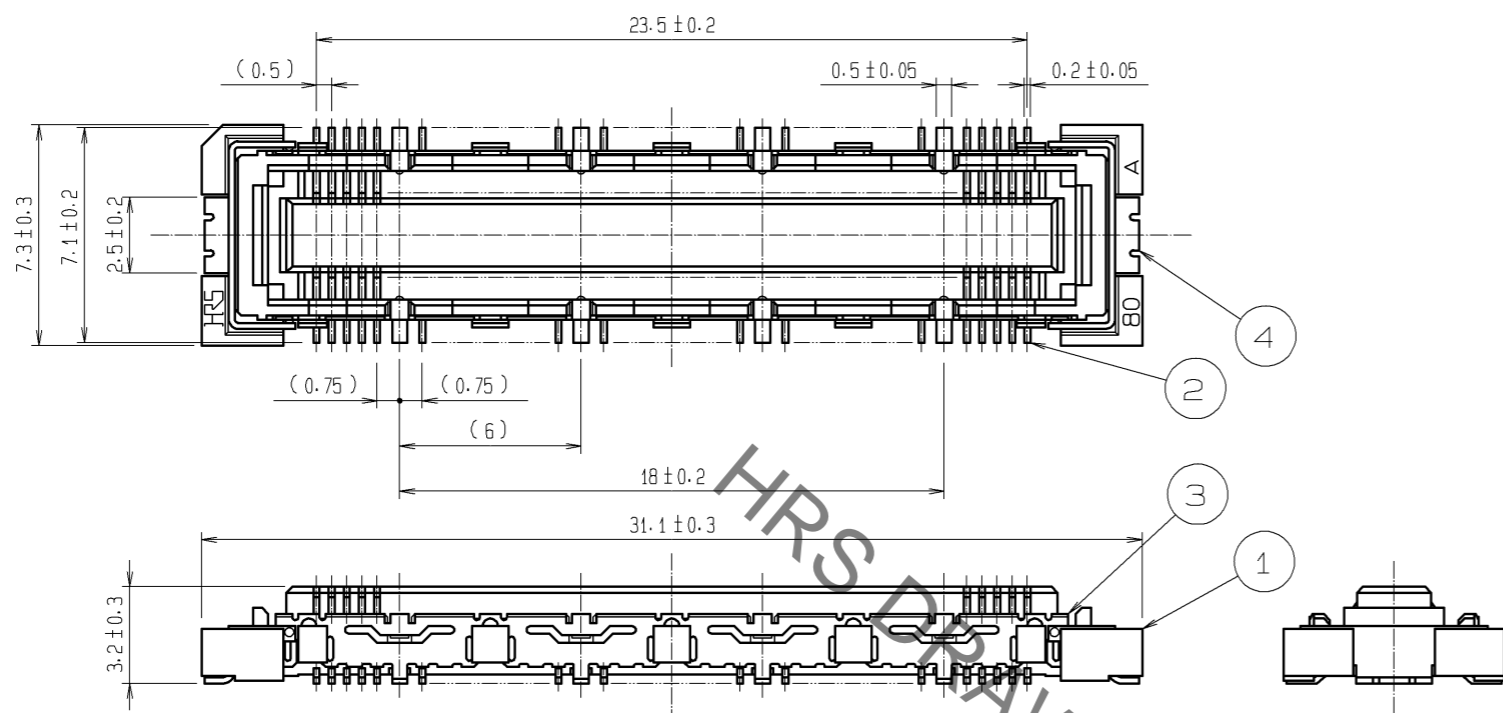
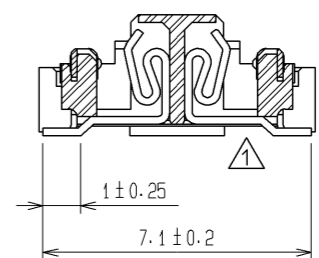


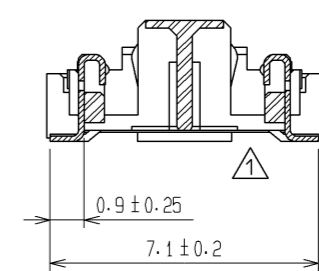
Aug.1.2020 Copyright 2020 HIROSE ELECTRIC CO., LTD. All Rights Reserved.
In case of consideration for using Automotive equipment / device which demand high reliability, kindly contact our sales window correspondents.



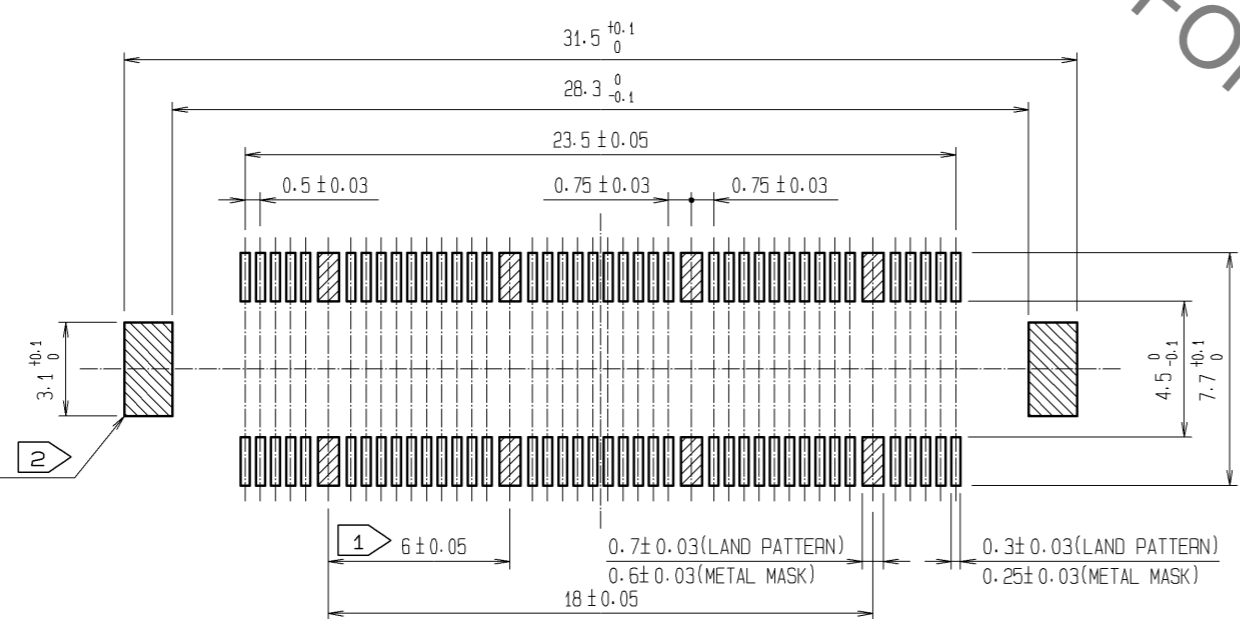
CROSS CUT SECTION - SIGNAL (5:1)



CROSS CUT SECTION - GROUND (5:1)



RECOMMENDED LAND PATTERN DIMENSION OF PCB
(RECOMMENDED METAL MASK THICKNESS: 0.15mm) Δ

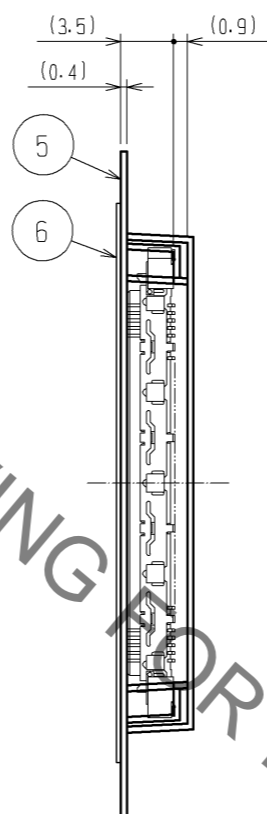
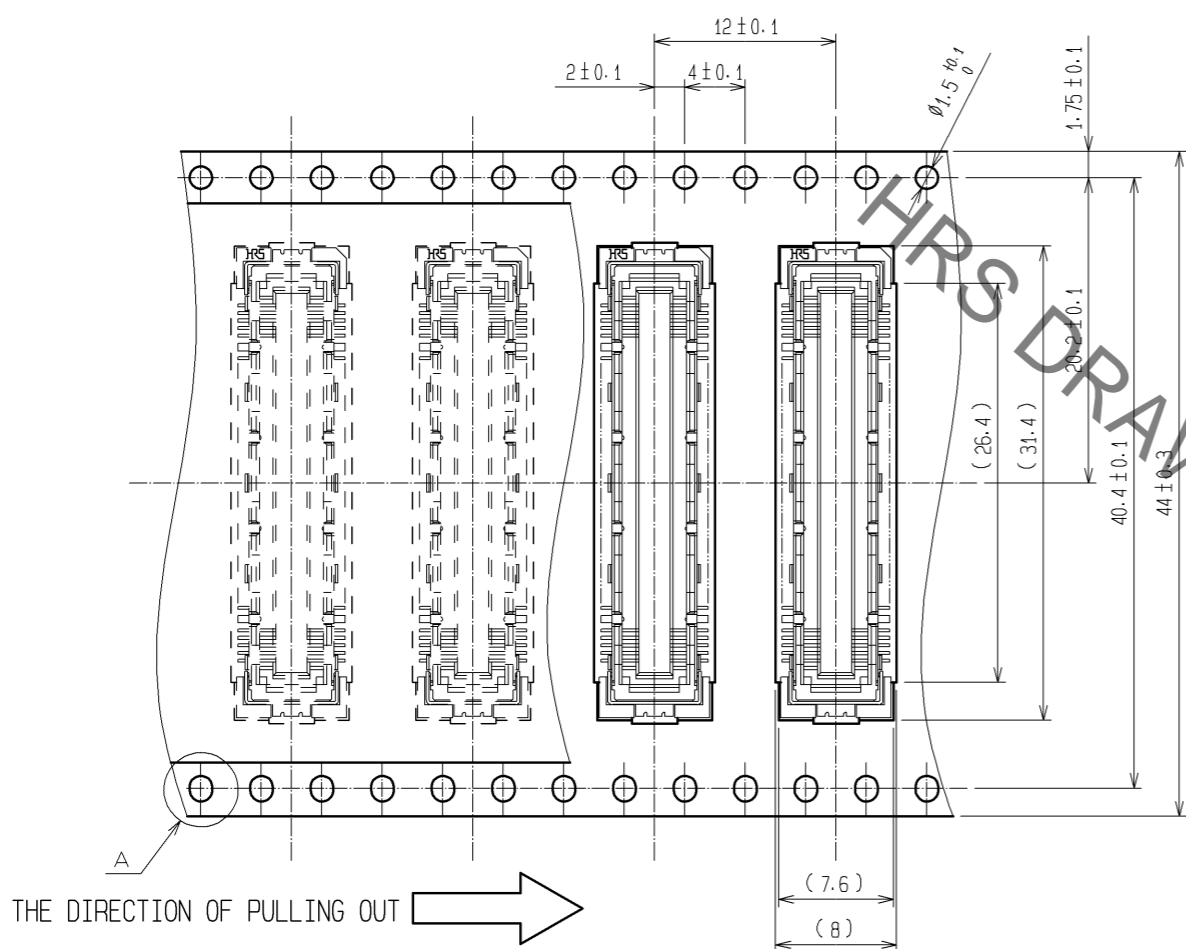


- NOTES
- ① 8 HATCHED PARTS: GROUND CIRCUIT.
 - ② 2 HATCHED PARTS: GROUND CIRCUIT.
 - ③ SMT LEAD-COPLANARITY: 0.1 MAX.
 - ④ THIS PRODUCT HAS NO POLARITY TO PATTERN FOR MOUNTING.
 - ⑤ EMBOSS CARRIER TAPE PACKAGE IS APPLIED ON THIS PRODUCT. PLEASE REFER TO THE SHEET 2/2 FOR THE DETAILS.
 - ⑥ THE DIMENSIONS IN PARENTHESES ARE FOR REFERENCE.

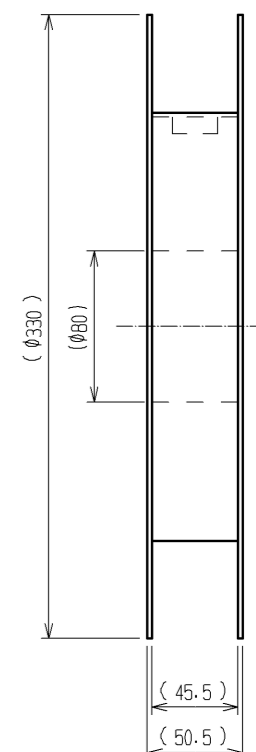
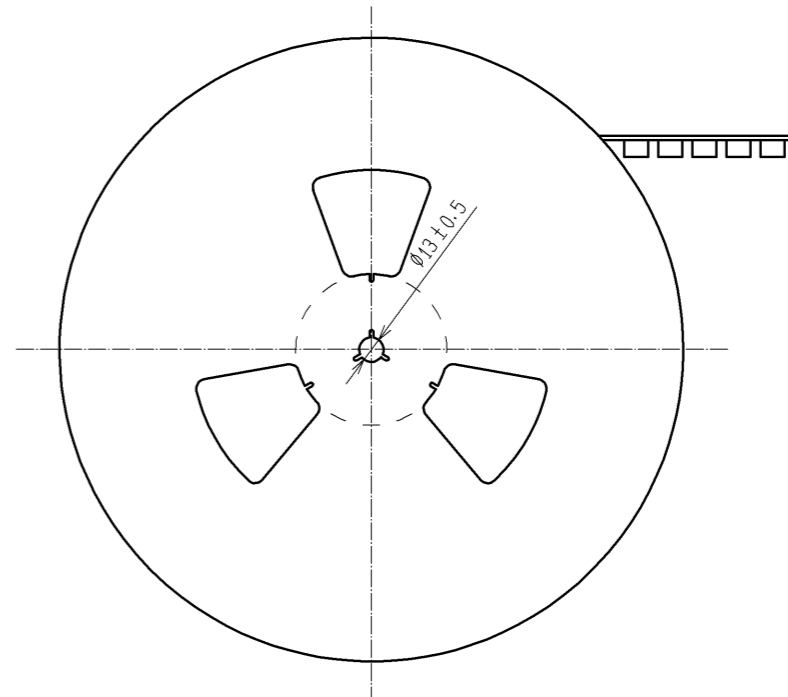
3, 4	PHOSPHOR BRONZE	TIN-PLATING			
2	PHOSPHOR BRONZE	CONTACT AREA : GOLD 0.1 μ m min.			
		LEAD AREA : GOLD FLASH			
		UNDER PLATING : NICKEL 1 μ m min.	6	POLYESTER	TOP COVER TAPE
1	LCP	BEIGE UL94V-0	5	POLYSTYRENE	EMBOSSED CARRIER TAPE
NO.	MATERIAL	FINISH . REMARKS	NO.	MATERIAL	FINISH . REMARKS
UNITS mm		SCALE 4 : 1	COUNT Δ 3	DESCRIPTION OF REVISIONS	
				DESIGNED HK. SUNADORI	CHECKED HS. OZAWA
				DATE 08.03.03	
HRS HIROSE ELECTRIC CO., LTD.		APPROVED : HS. OKAWA	07.10.15	DRAWING NO. EDC3-151980-26	
		CHECED : HS. OZAWA	07.10.15	PART NO. FX10B-80S/8-SV(91)	
		DESIGNED : SY. KAMIGA	07.10.15	CODE NO. CL570-0221-1-91	
		DRAWN : HK. SUNADORI	07.10.12	Δ 1/2	

Aug.1.2020 Copyright 2020 HIROSE ELECTRIC CO., LTD. All Rights Reserved.
 In case of consideration for using Automotive equipment / device which demand high reliability, kindly contact our sales window correspondents.

DRAWING FOR PACKING(2:1)

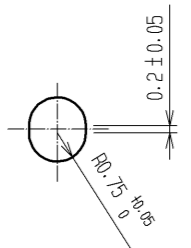


REELED DIMENSION(Free)



THE DIRECTION OF PULLING OUT →

A (5:1)



- NOTES 1 1REEL:1000 CONNECTORS.
 2 MINIMUM 10 COMPARTMENTS FROM BOTH REEL ENDS REMAIN EMPTY.
 3 THIS PRODUCT HAS NO POLARITY TO TAPE AND REEL PACKAGING.
 4 THE DIMENSIONS IN PARENTHESES ARE FOR REFERENCE.

HRS	DRAWING NO.	EDC3-151980-26
	PART NO.	FX10B-80S/8-SV(91)
	CODE NO.	CL570-0221-1-91
		2/2