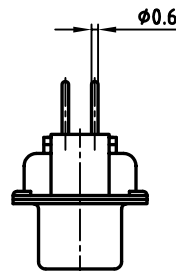
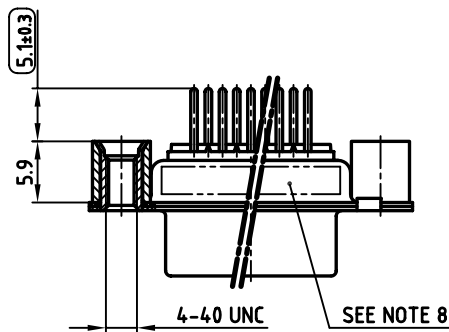
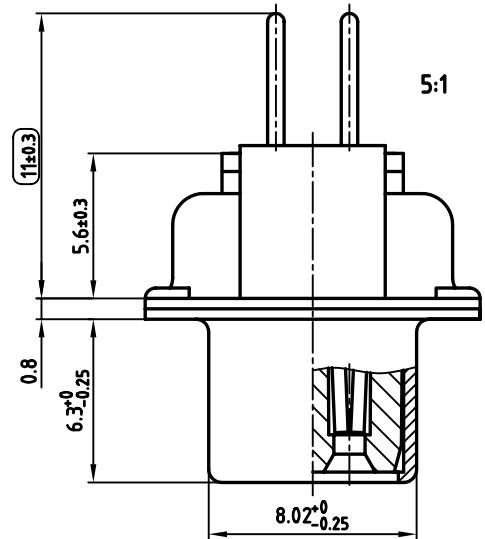
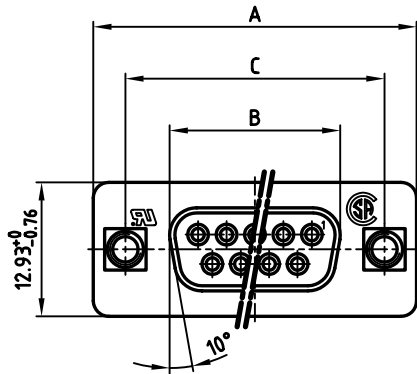


used for: D-SUB



No. of Pos.	A -0.76	B -0.25	C	Part No.
9	31.19	16.46	25.00 ^{+0.12} / _{-0.13}	164A12029X
15	39.52	24.79	33.30 ^{+0.15} / _{-0.1}	164A12039X
25	53.42	38.50	47.04 ±0.13	164A12049X
37	69.70	54.96	63.50 ±0.13	164A12059X

NOTES:

- METALSHELLS: STEEL; min. 320µ" TIN
- INSULATORS: PBT GF UL 94 V-0, BLACK
- CONTACTS: COPPER ALLOY
PLATING: 8µ" HARD GOLD OVER min. 50µ" NICKEL
- THREADED REAR SPACER: COPPER ALLOY; min. 200µ" TIN over 80µ" NICKEL
- SLEEVE: COPPER ALLOY; min. 200µ" TIN over 80µ" NICKEL
- P.C.B. HOLE DRILLINGS ON SHEET 2
- MAXIMUM TORQUE VALUE FOR THREAD: 6" LBS
- CONNECTOR IS PART MARKED: PART-NO. CONEC ABC
- = CHECK DIMENSION

Directive 2002/95/EC
"RoHS"
Compliant

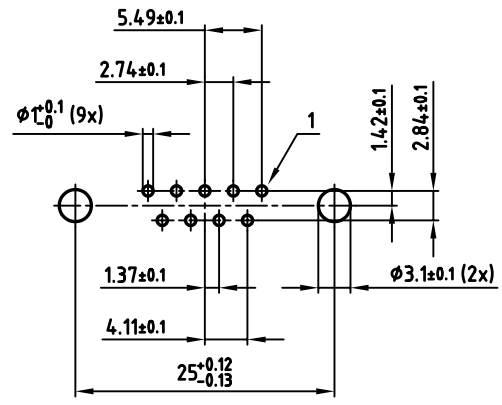
APPROVAL * FREIGABE * DEBLOCAGE * AUTORIZACION * APPROVAL	
CUSTOMER APPROVAL DATE:	
NAME:	TITLE:
COMPANY NAME:	
APPROVAL * FREIGABE * DEBLOCAGE * AUTORIZACION * APPROVAL	

THIS DRAWING MAY NOT BE COPIED OR REPRODUCED IN ANY WAY, AND MAY NOT BE PASSED ON TO A THIRD PARTY, WITHOUT WRITTEN PERMISSION. OWNERSHIP AND COPYRIGHT OF CONEC GmbH. DO NOT ALTER CAD DRAWING BY HAND

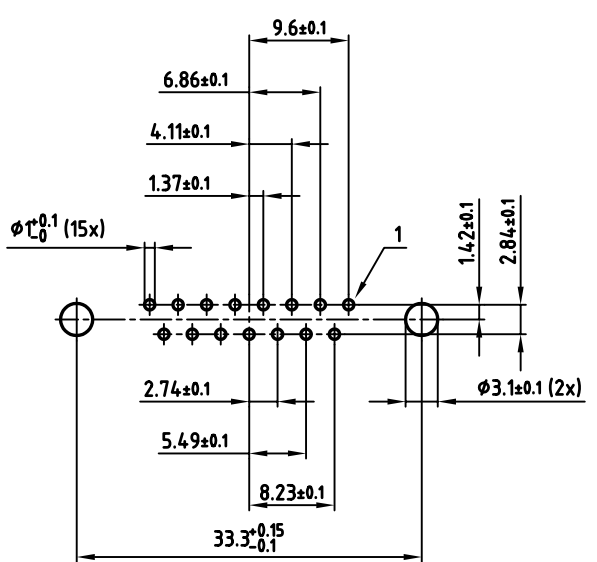
tolerance	dim. in mm				
2005	date	name	scale: 2:1 (5:1)		
drawn	09.06.	Lehmenkühler	material: SEE NOTES		
appd.	09.06.	Mickenbecker	title: D-SUB FEMALE		
norm	DIN 41652		9-37pos. SOLDER PIN STRAIGHT with threaded rear spacer		
d-old			dwg no: AutoCAD 2004		
CONEC			16K2A904		
rev.	description	date	name	part no: SEE TABLE	

			DIN-A		
			3		
			sh:1/2		

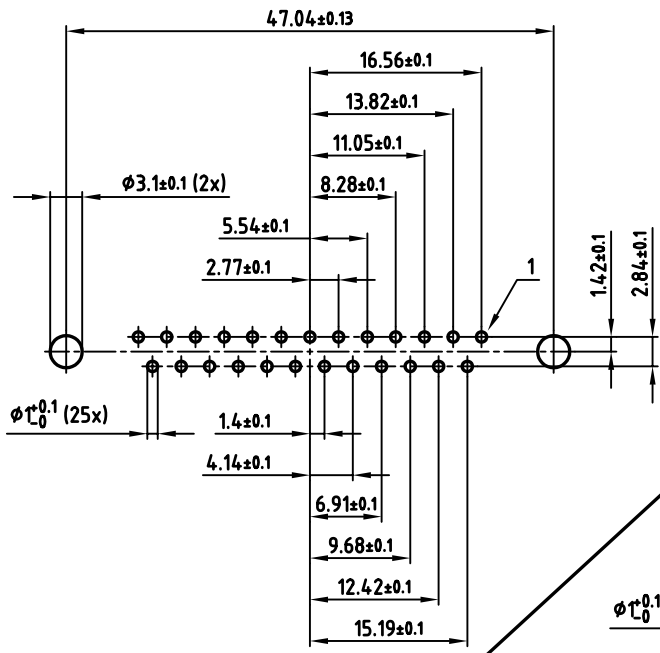
9 pos.



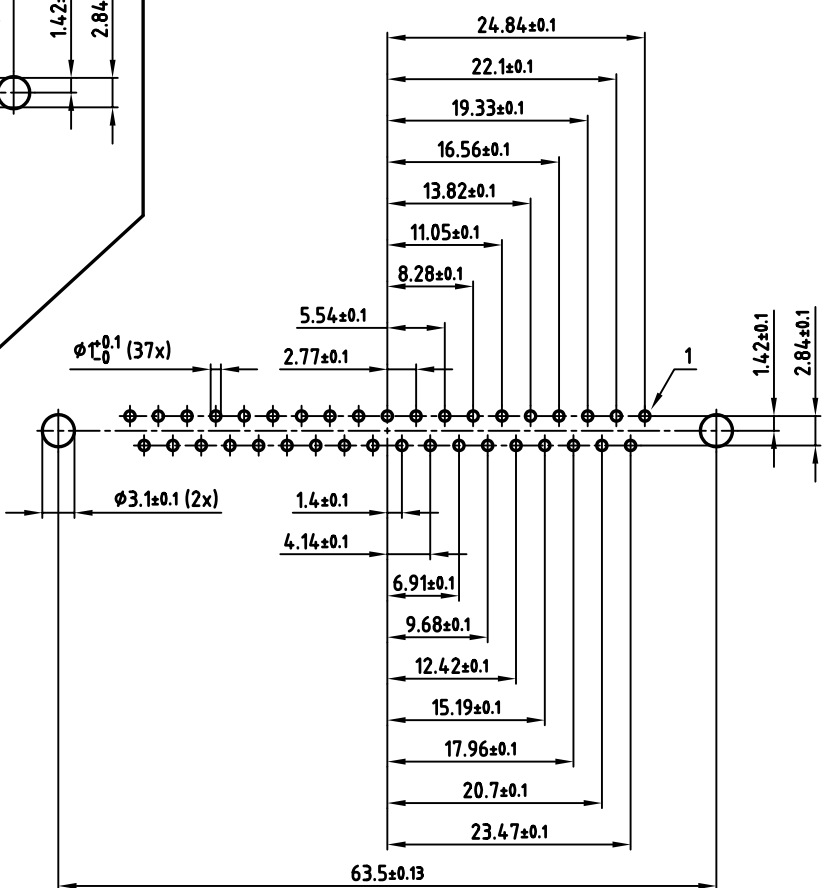
15 pos.



25 pos.



37 pos.



APPROVAL # FREIGABE # DEBLOCAGE # AUTORIZACION # APPROVAL

CUSTOMER APPROVAL DATE:

NAME: TITLE:

COMPANY NAME:

APPROVAL # FREIGABE # DEBLOCAGE # AUTORIZACION # APPROVAL

THIS DRAWING MAY NOT BE COPIED OR REPRODUCED IN ANY WAY, AND MAY NOT BE PASSED ON TO A THIRD PARTY, WITHOUT WRITTEN PERMISSION. OWNERSHIP AND COPYRIGHT OF CONEC GmbH. DO NOT ALTER CAD DRAWING BY HAND

rev.	description	date	name

tolerance			scale: 2:1	
dim. in mm			material: SEE SHEET 1	
2005	date	name	title:	
drawn	09.06.	Lehmenkühler	P.C.B. HOLE DRILLINGS	
appd.	09.06.	Mickenbecker	D-SUB FEMALE 9-37pos. SOLDER PIN	
norm	DIN 41652		with threaded rear spacer	
d-old			dwg no: AutoCAD 2004	
				DIN-A
				3
				sh:2/2

dwg no: AutoCAD 2004		DIN-A
16K2A904		3
part no: SEE SHEET 1		sh:2/2

Mouser Electronics

Authorized Distributor

Click to View Pricing, Inventory, Delivery & Lifecycle Information:

[CONEC:](#)

[164A12029X](#) [164A17249X](#)