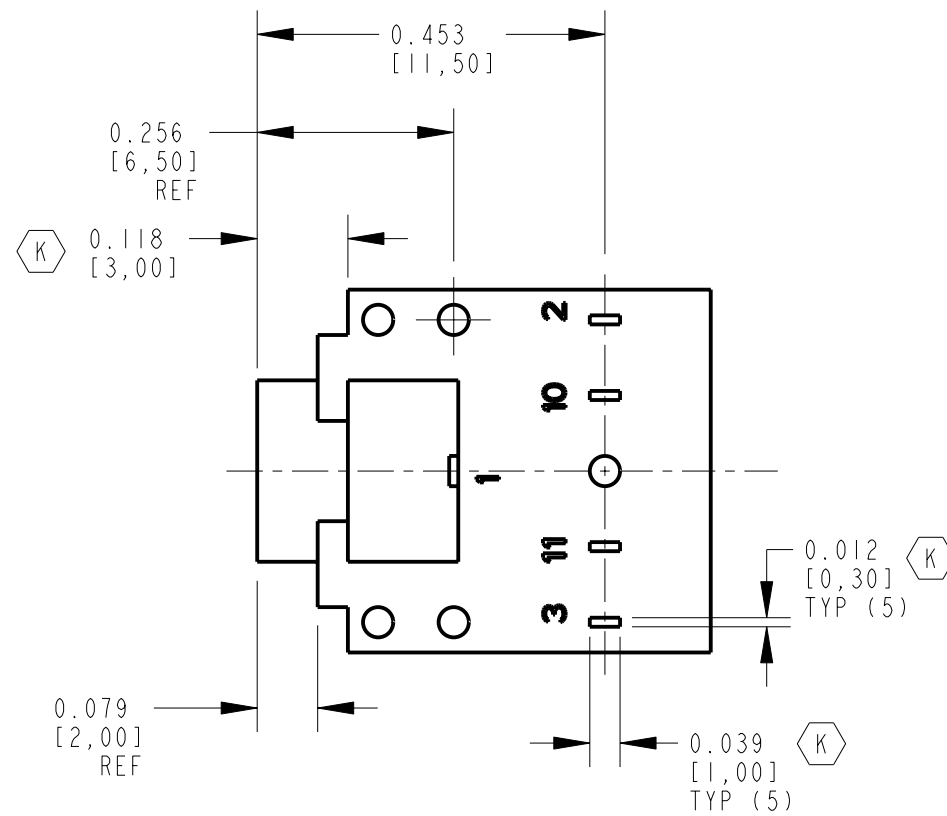
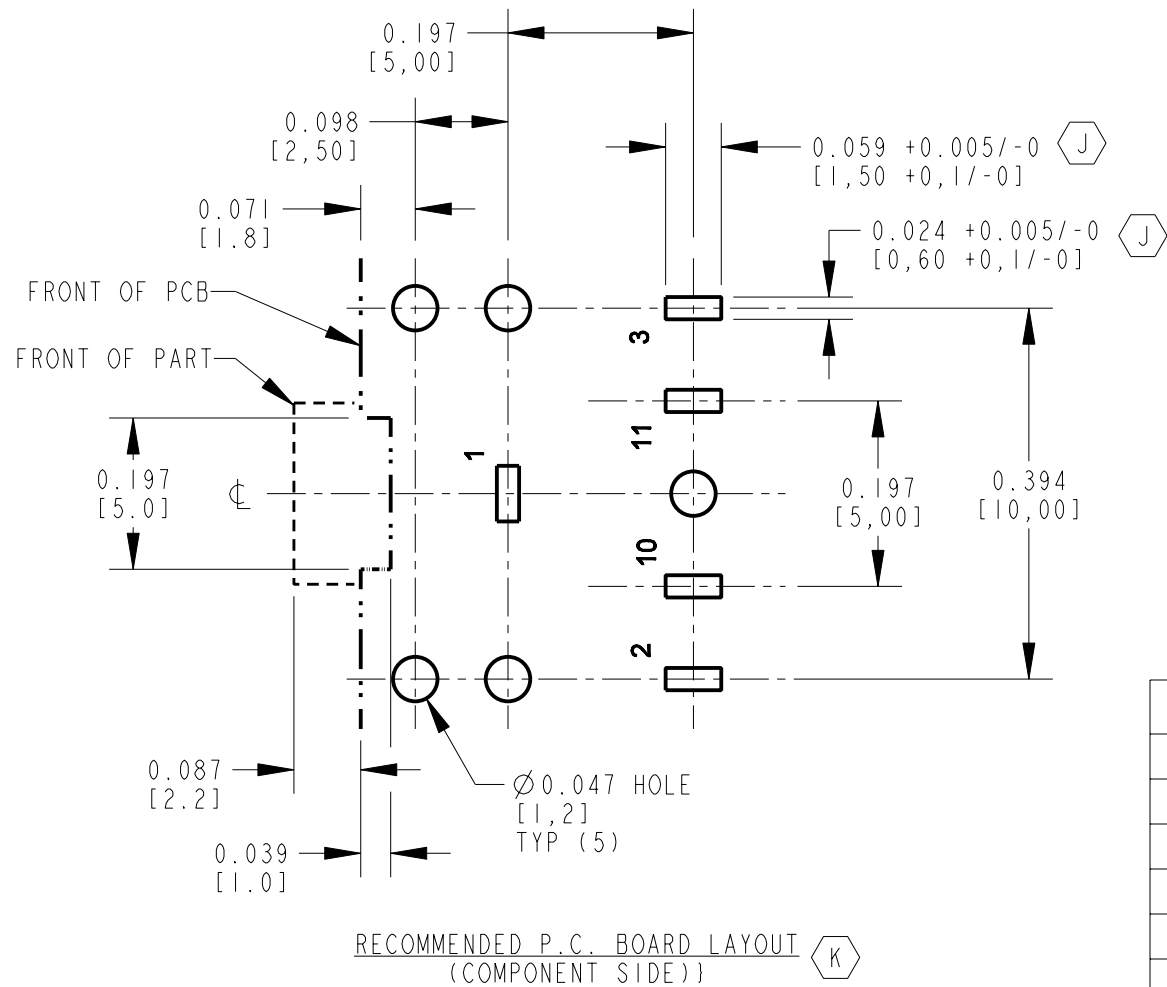
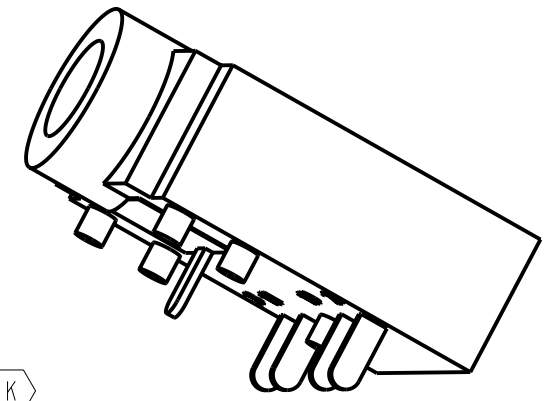
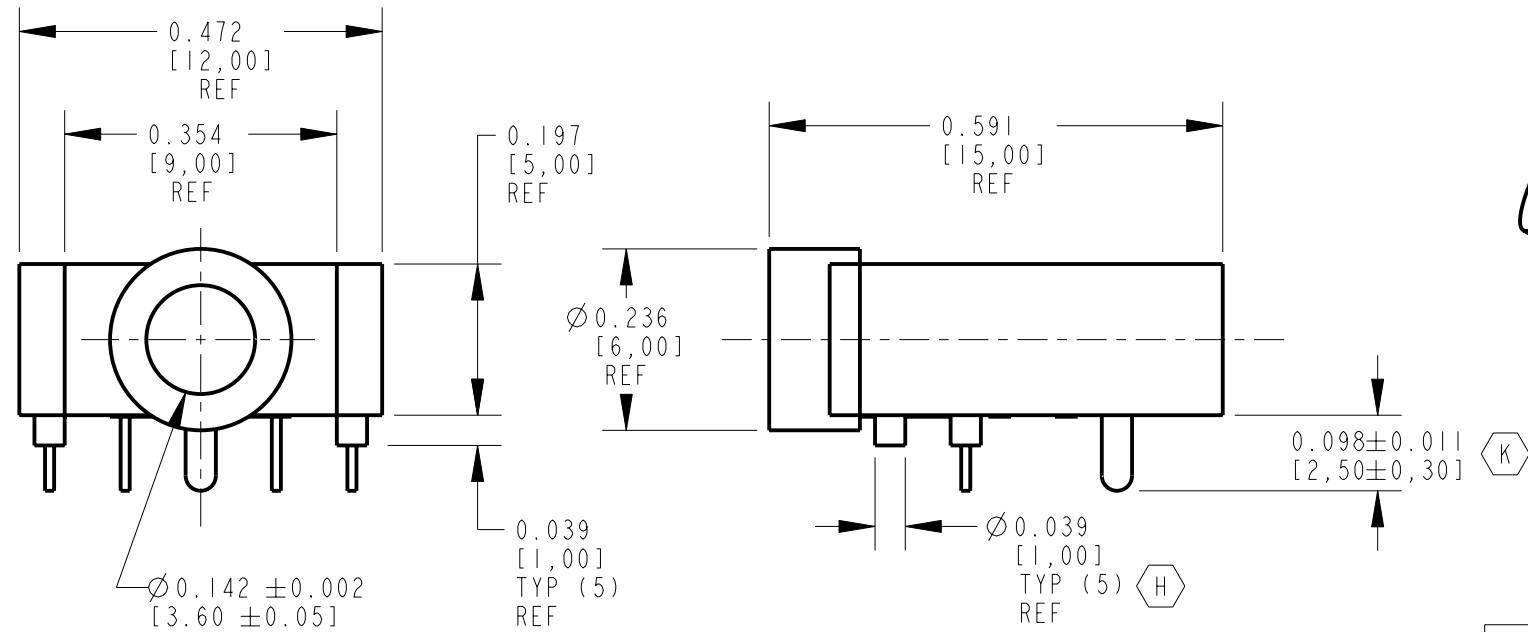


NOTES:

- ELECTRICAL:
CONTACT RESISTANCE: 0.030 OHMS MAX INITIAL,
0.100 OHMS MAX AFTER LIFE TEST.
INSULATION RESISTANCE: 100 MEGAOHMS MIN @ 500 VDC
DIELECTRIC WITHSTANDING VOLTAGE: 500 VAC
- MECHANICAL:
LIFE: 5000 CYCLES
INSERTION FORCE: 0,4 KG TO 3 KG
WITHDRAWAL FORCE: 0,4 KG TO 3 KG
- MATERIALS:
HOUSING: PBT, BLACK, UL94V-0
COVER: PBT, BLACK, UL94V-0
BUSHING: BRASS, NICKEL PLATED
SPRINGS: COPPER ALLOY, SILVER PLATED
- THIS PRODUCT IS RoHS COMPLIANT.



SHOWN 35RAPC4BHN2

PART NUMBER	SCHEMATIC
35RAPC2AHN2	
35RAPC3BHN2	
35RAPC4BHN2	
35RAPC2BHN2	

CUSTOMER DRAWING

REV	ECO NUMBER	DATE	BY	APVD	STAR SYMBOL DENOTES CRITICAL DIMENSION	THIS DRAWING DESCRIBES A DESIGN CONSIDERED PROPRIETARY IN NATURE, DEVELOPED AND MANUFACTURED BY SWITCHCRAFT INC. AND IS RELEASED ON A CONFIDENTIAL BASIS FOR IDENTIFICATION PURPOSES ONLY.					
L	27551	8-4-15	TO	TJK	UNLESS OTHERWISE SPECIFIED 1. ALL DIMENSIONS IN INCHES - TWO PLACE DECIMALS ±0.01 - THREE PLACE DECIMALS ±0.005 - FRACTIONAL DIMENSIONS ±1/64 - ANGLES ±1° - ALL DIA. CONCENTRIC WITHIN 0.005 T.I.R. 2. FEATURES ON THE SAME CENTERLINE MUST BE ALIGNED WITHIN ±0.002 3. REMOVE ALL BURRS	SIZE	WIDTH	MULT	LBS/M	TEMPER	
K	27056	11-20-12	TO	TJK		FINISH	MATERIAL SPEC No.				
J	26998	7-20-12	TO	TJK		FIRST USED ON	SCALE 4:1				
H	26658	11-10-10	TO	TJK	DATE DRAWN	BY	CHKD	APVD	Switchcraft SHEET OF		
G	26553	6-8-10	TJK	TJK	9-Dec-93	LR	LR	EBR			
F	ECO # 24453	4-10-03	SRC	TJK	NAME	3.5MM HORIZONTAL STEREO JACK, RoHS					
REVISIONS					DO NOT SCALE DRAWING	PART No. 35RAPC_ _HN2					
						REV L					