

All-4-One™ International Transformers

Chassis Mount with Lead Wires



International Standards at Lower Cost and Better Performance



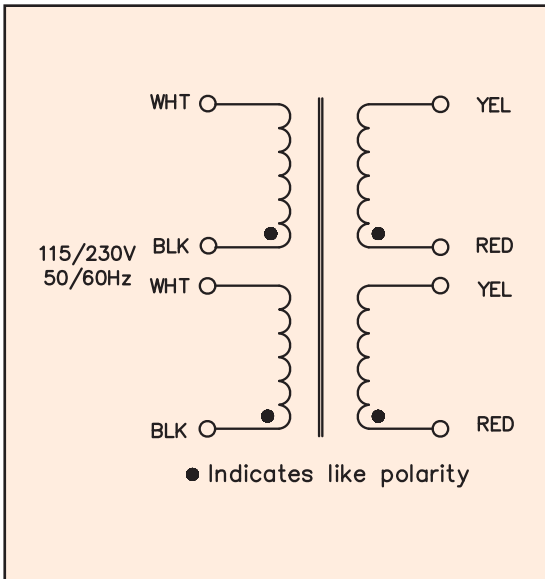
Designed to provide the high isolation, creepage and clearance necessary to comply with international safety standards.

General Specifications

- Power - 25 VA to 175 VA
- Dielectric Strength - 4000 VRMS Hipot
- Primaries - Dual primaries (115/230 V - 50/60 Hz)
- Dual Secondaries - Series or parallel
- Leakage - Current meets UL 60601-1, IEC/EN 60601-1
- Insulation - Class F (155 ° C)
- Flammability Rating - Bobbin and shroud material meet UL 94-V0

Agency Certifications

- UL 1446 E66312
- Recognized to UL 506 / UL 5085-2, CSA 22.2, No. 66-1 / 5085 File # E63829
- VDE certified to VDE 0805 / EN 60950, Reg-Nr-1448



Lead Wires

- Hook up lead wire style UL1015, CSA TEW
- Rated 600V -40° to +105° C
- Passes UL VW-1 (flame test)
- All primary lead wires are 18AWG UL 1015
- All lead wires are 12" in length

| Part Number | VA Size | Secondary RMS Rating | | Lead Wire Gauge |
|--------------|------------|----------------------|--------------|-----------------|
| | | Series | Parallel | Secondary |
| A41-25-10L | 25 | 10 VCT @ 2.5A | 5.0V @ 5.0A | 18AWG |
| A41-43-10L | 43 | 10 VCT @ 4.3A | 5.0V @ 8.6A | 18AWG |
| A41-80-10L | 80 | 10 VCT @ 8.0A | 5.0V @ 16.0A | 18AWG |
| A41-130-10L | 130 | 10 VCT @ 13.0A | 5.0V @ 26.0A | 16AWG |
| A41-175-10L | 175 | 10 VCT @ 17.5A | 5.0V @ 35.0A | 16AWG |
| A41-25-12L | 25 | 12.6 VCT @ 2.0A | 6.3V @ 4.0A | 18AWG |
| A41-43-12L | 43 | 12.6 VCT @ 3.4A | 6.3V @ 6.8A | 18AWG |
| A41-80-12L | 80 | 12.6 VCT @ 6.3A | 6.3V @ 12.6A | 18AWG |
| A41-130-12L | 130 | 12.6 VCT @ 10.3A | 6.3V @ 20.6A | 16AWG |
| A41-175-12L | 175 | 12.6 VCT @ 14.0A | 6.3V @ 28.0A | 16AWG |
| A41-25-16L | 25 | 16 VCT @ 1.6A | 8.0V @ 3.2A | 18AWG |
| A41-43-16L | 43 | 16 VCT @ 2.7A | 8.0V @ 5.4A | 18AWG |
| A41-80-16L | 80 | 16 VCT @ 5.0A | 8.0V @ 10.0A | 18AWG |
| A41-130-16L | 130 | 16 VCT @ 8.1A | 8.0V @ 16.2A | 16AWG |
| A41-175-16L | 175 | 16 VCT @ 11.0A | 8.0V @ 22.0A | 16AWG |
| A41-25-20L | 25 | 20 VCT @ 1.25A | 10V @ 2.5A | 18AWG |
| A41-43-20L | 43 | 20 VCT @ 2.2A | 10V @ 4.4A | 18AWG |
| A41-80-20L | 80 | 20 VCT @ 4.0A | 10V @ 8.0A | 18AWG |
| A41-130-20L | 130 | 20 VCT @ 6.5A | 10V @ 13.0A | 16AWG |
| A41-175-20L | 175 | 20 VCT @ 8.8A | 10V @ 17.6A | 16AWG |
| A41-25-24L | 25 | 24 VCT @ 1.0A | 12V @ 2.0A | 18AWG |
| A41-43-24L | 43 | 24 VCT @ 1.8A | 12V @ 3.6A | 18AWG |
| A41-80-24L | 80 | 24 VCT @ 3.3A | 12V @ 6.6A | 18AWG |
| A41-130-24L | 130 | 24 VCT @ 5.4A | 12V @ 10.8A | 16AWG |
| A41-175-24L | 175 | 24 VCT @ 7.3A | 12V @ 14.6A | 16AWG |
| A41-25-28L | 25 | 28 VCT @ 0.9A | 14V @ 1.86A | 18AWG |
| A41-43-28L | 43 | 28 VCT @ 1.5A | 14V @ 3.0A | 18AWG |
| A41-80-28L | 80 | 28 VCT @ 2.8A | 14V @ 5.6A | 18AWG |
| A41-130-28L | 130 | 28 VCT @ 4.6A | 14V @ 9.2A | 16AWG |
| A41-175-28L | 175 | 28 VCT @ 6.25A | 14V @ 12.5A | 16AWG |
| A41-25-36L | 25 | 36 VCT @ 0.7A | 18V @ 1.4A | 18AWG |
| A41-43-36L | 43 | 36 VCT @ 1.2A | 18V @ 2.4A | 18AWG |
| A41-80-36L | 80 | 36 VCT @ 2.2A | 18V @ 4.4A | 18AWG |
| A41-130-36L | 130 | 36 VCT @ 3.6A | 18V @ 7.2A | 18AWG |
| A41-175-36L | 175 | 36 VCT @ 4.8A | 18V @ 9.6A | 16AWG |
| A41-25-230L | 25 | 230 VCT @ 0.11A | 115V @ 0.22A | 18AWG |
| A41-43-230L | 43 | 230 VCT @ 0.19A | 115V @ 0.38A | 18AWG |
| A41-80-230L | 80 | 230 VCT @ 0.35A | 115V @ 0.7A | 18AWG |
| A41-130-230L | 130 | 230 VCT @ 0.57A | 115V @ 1.14A | 18AWG |
| A41-175-230L | 175 | 230 VCT @ 0.76A | 115V @ 1.52A | 18AWG |

Custom versions available upon request.

©2015 Signal Transformer Inc. Specifications subject to change without notice. 07.15



www.signaltransformer.com

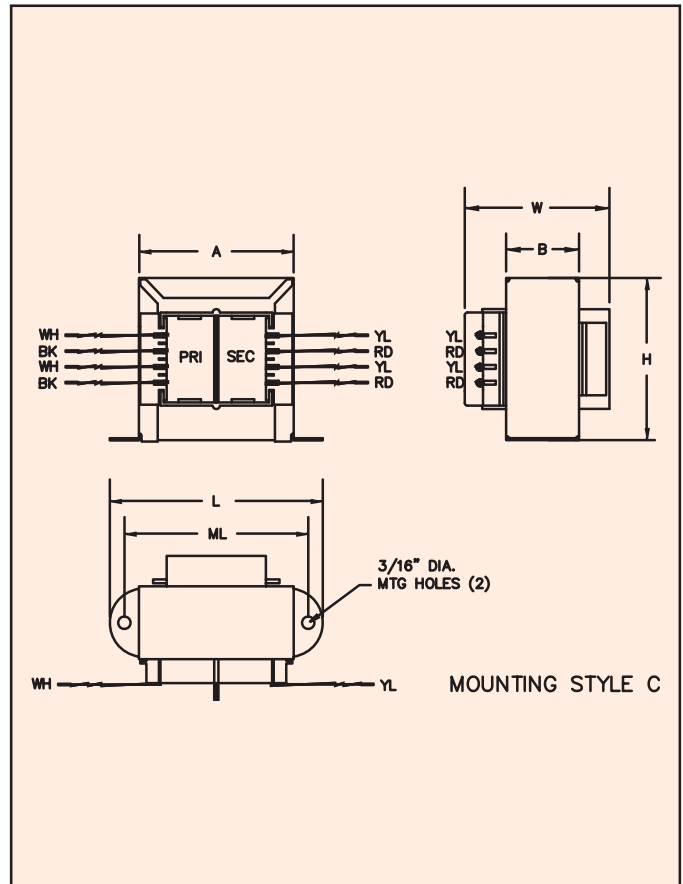
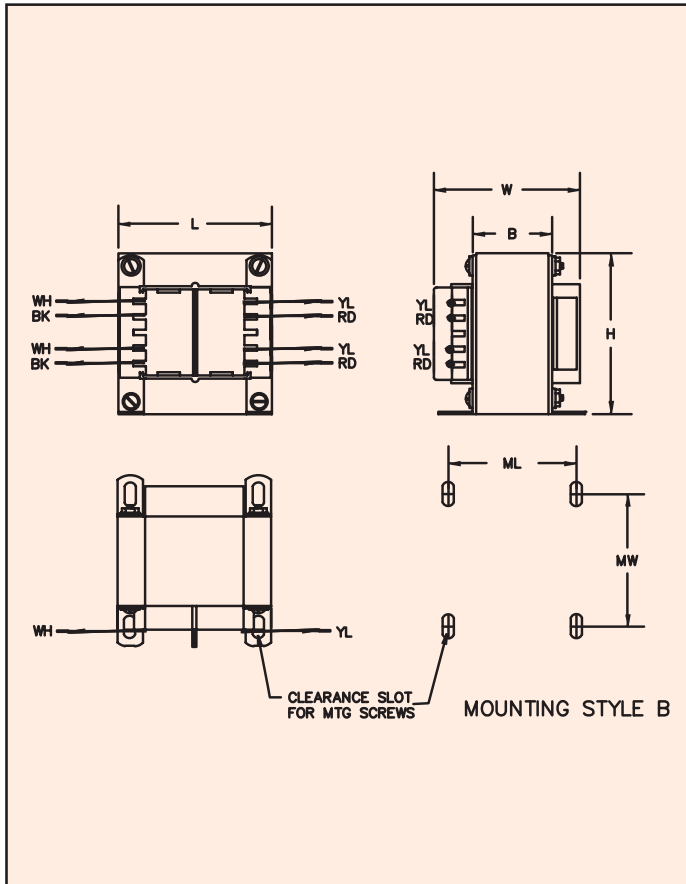
500 Bayview Avenue, Inwood, NY 11096
 Toll Free 866-239-5777 • Tel 516-239-5777 • Fax 516-239-7208
 sales@signaltransformer.com • techhelp@signaltransformer.com

All-4-One™ International Transformers

Chassis Mount with Lead Wires



International Standards at Lower Cost and Better Performance



| VA | Dimensions | | | | | Lead Wire Length | Mounting Style | Mounting Dimensions | | Mounting Screw | Weight |
|------|-------------|-------------|-------------|-------------|-------------|----------------------|----------------|---------------------|-------------|----------------|-----------------|
| | L | W | H | A | B | | | ML | MW | | |
| Size | Inches (mm) | | | | | Inches (mm) Standard | | | | | lbs (kg) |
| 25 | 2.81 (71.4) | 2.14 (54.4) | 2.31 (58.7) | 2.00 (50.8) | 1.12 (28.6) | 12.0 (304.80) | C | 2.37 (60.3) | — | #6 | 1.25 lbs (0.57) |
| 43 | 3.12 (79.4) | 2.14 (54.4) | 2.68 (68.2) | 2.25 (57.2) | 1.12 (28.6) | 12.0 (304.80) | C | 2.81 (71.4) | — | #6 | 1.6 lbs (0.73) |
| 80 | 2.50 (63.5) | 2.52 (64.3) | 3.06 (77.7) | — | 1.37 (35.0) | 12.0 (304.80) | B | 2.00 (50.8) | 2.18 (55.5) | #6 | 2.8 lbs (1.27) |
| 130 | 2.81 (71.4) | 3.00 (76.2) | 3.37 (85.7) | — | 1.62 (41.3) | 12.0 (304.80) | B | 2.25 (57.2) | 2.50 (63.5) | #8 | 4.1 lbs (1.86) |
| 175 | 3.12 (79.4) | 3.14 (79.7) | 3.75 (95.3) | — | 1.62 (41.3) | 12.0 (304.80) | B | 2.50 (63.5) | 2.50 (63.5) | #8 | 5.5 lbs (2.49) |

Custom versions available upon request.

©2015 Signal Transformer Inc. Specifications subject to change without notice. 07.15



500 Bayview Avenue, Inwood, NY 11096
 Toll Free 866-239-5777 • Tel 516-239-5777 • Fax 516-239-7208
 sales@signaltransformer.com • techhelp@signaltransformer.com

Mouser Electronics

Authorized Distributor

Click to View Pricing, Inventory, Delivery & Lifecycle Information:

[Bel:](#)

[A41-80-24L](#) [A41-175-10L](#) [A41-175-36L](#) [A41-25-24L](#) [A41-130-10L](#) [A41-175-20L](#) [A41-43-20L](#) [A41-25-16L](#) [A41-175-16L](#) [A41-25-12L](#) [A41-43-10L](#) [A41-25-36L](#) [A41-175-230L](#) [A41-43-28L](#) [A41-43-24L](#) [A41-25-10L](#) [A41-80-10L](#) [A41-80-36L](#) [A41-175-24L](#) [A41-80-12L](#) [A41-25-28L](#) [A41-80-16L](#) [A41-80-20L](#) [A41-130-16L](#) [A41-130-28L](#) [A41-130-36L](#) [A41-25-20L](#) [A41-130-12L](#) [A41-43-16L](#) [A41-80-28L](#) [A41-175-28L](#) [A41-43-12L](#) [A41-43-230L](#) [A41-130-20L](#) [A41-130-230L](#) [A41-25-230L](#) [A41-130-24L](#) [A41-175-12L](#) [A41-43-36L](#) [A41-80-230L](#)