

THIS DRAWING IS UNPUBLISHED.

RELEASED FOR PUBLICATION

2006

© COPYRIGHT 2006 BY -

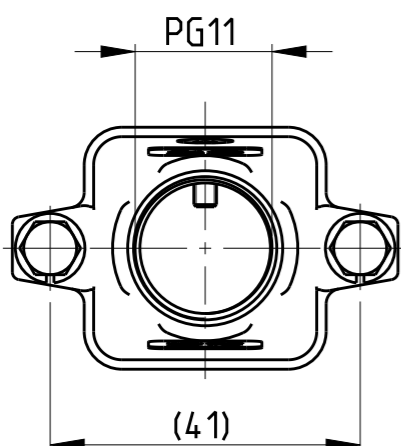
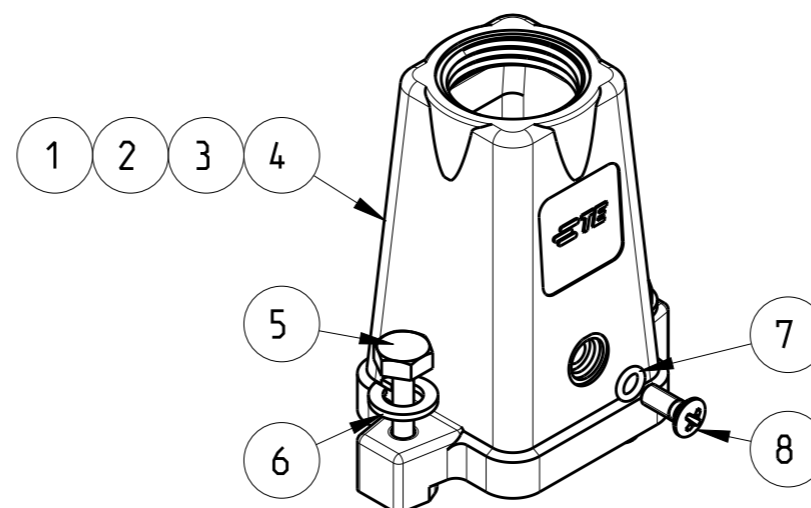
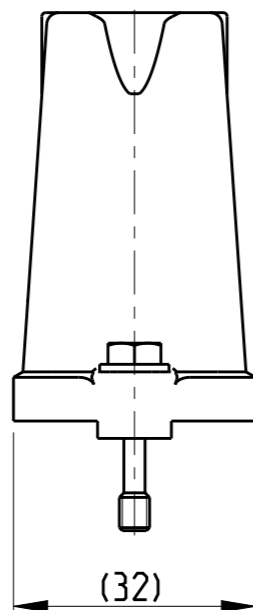
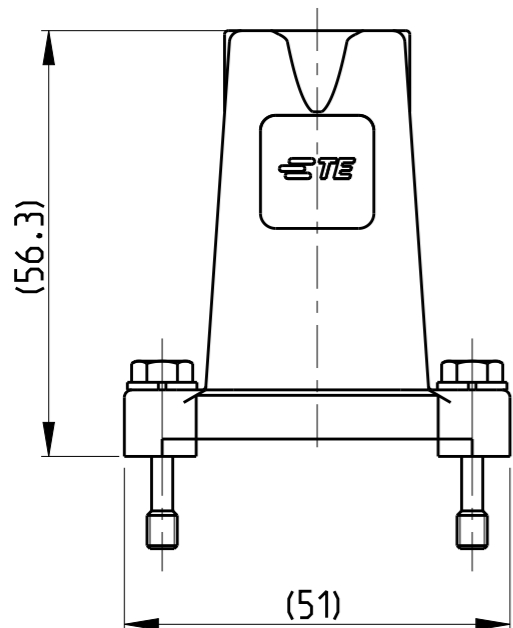
ALL RIGHTS RESERVED.

REVISIONS

P	LTR	DESCRIPTION	DATE	DWN	APVD
A5		ECR-10-009092	22OCT2009	RO	BR
B		ECR-16-001855	29FEB2016	GCM	JB
C		ECR-16-014579	25APR2017	GCM	JB

Notes

- 1 SUITABLE HOUSINGS: SERIES HIP, SIZE 1  
CUSTOMER DRAWING 1102600, 1106408
- 2 STANDARDS:  
DIN EN 61984, DIN EN 60664-1
- 3 TOOL:  
PHILLIPS SCREWDRIVER PH1.  
HEXAGON SCREWDRIVER 7mm
- 4 VARNISH ON INSIDE AREA NOT  
NECESSARY
- 5 PACKAGING:  
10 SETS IN A CARTON, PRE-MOUNTED




PN 1-5 AS SHOWN

PART NO.	ORDERING TEXT
0-1102600-2	HIP-K.3/4.STO.1.11.G
2-1102600-5	HIP-K.3/4.STO.1.11.G
1-1102600-5	HIP.3/4.STO.1.11.G

PN/QTY	DESCRIPTION	MATERIAL	COLOR/SURFACE	NOTE	ITEM
1 1 1	SCREW COUNTERSUNK RAISED HEAD	STAINL.STEEL	V2A	M3x8 PH1 DIN EN ISO 7047	8
1 1 1	O - RING	NBR	BLACK	3.0x1.0	7
2 2 2	WASHER, PLAIN	STAINL.STEEL	BLANK	A4, DIN EN ISO 7089, 200HV	6
2 2 2	SCREW, HEXAGON BOLT	STAINL.STEEL	BLANK	M4x22 DIN EN ISO 7964, REDUCED SHUNK	5
1 - -	CONNECTOR HOUSING	ALU	YELLOW	SERIES HIP-K	4
- 1 -	CONNECTOR HOUSING	ALU	BLACK	SERIES HIP-K	2
- - 1	CONNECTOR HOUSING	ALU	GREY	SERIES HIP	1

PARTS LIST (PER ONE UNIT)

THIS DRAWING IS A CONTROLLED DOCUMENT.		DWN V.Glumm 06AUG2009	 TE Connectivity	NAME CONNECTOR HOUSING ASS'Y, TOP ENTRY SERIES HIP, SIZE 1, PG11	
DIMENSIONS: mm		CHK H.Braun 06AUG2009		PRODUCT SPEC	
TOLERANCES UNLESS OTHERWISE SPECIFIED:		APVD T.Schnurfeil 06AUG2009		APPLICATION SPEC	
0 PLC ± 1 PLC ± 2 PLC ± 3 PLC ± 4 PLC ± ANGLES ±°		WEIGHT		SIZE A3	CAGE CODE 00779
MATERIAL		FINISH	RESTRICTED TO		SCALE 1:1
-		-	CUSTOMER DRAWING		SHEET 1 OF 1
			REV C		

# Mouser Electronics

Authorized Distributor

Click to View Pricing, Inventory, Delivery & Lifecycle Information:

[TE Connectivity:](#)

[2-1102600-5](#)