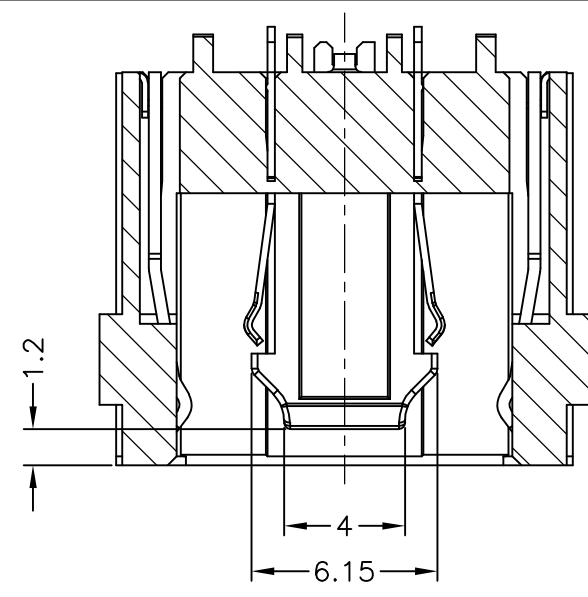
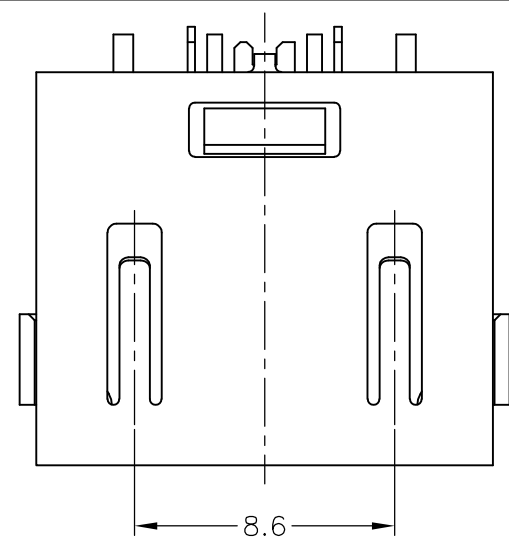
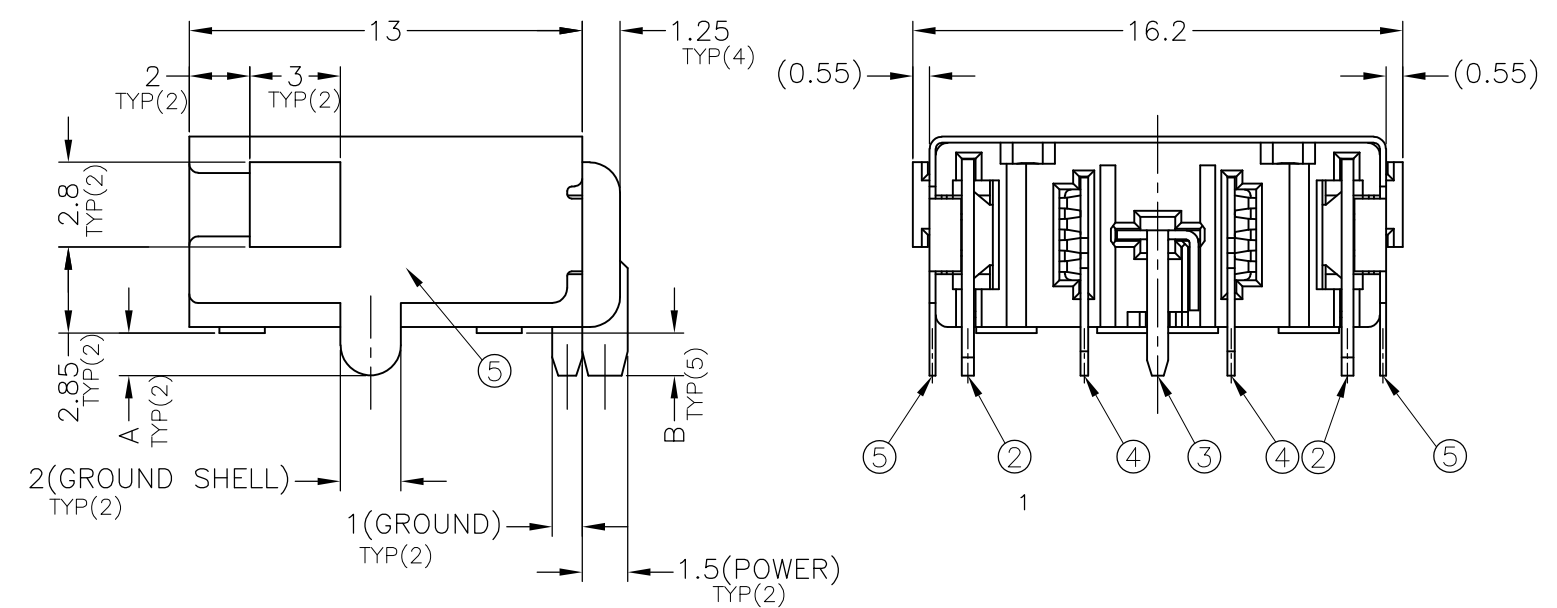
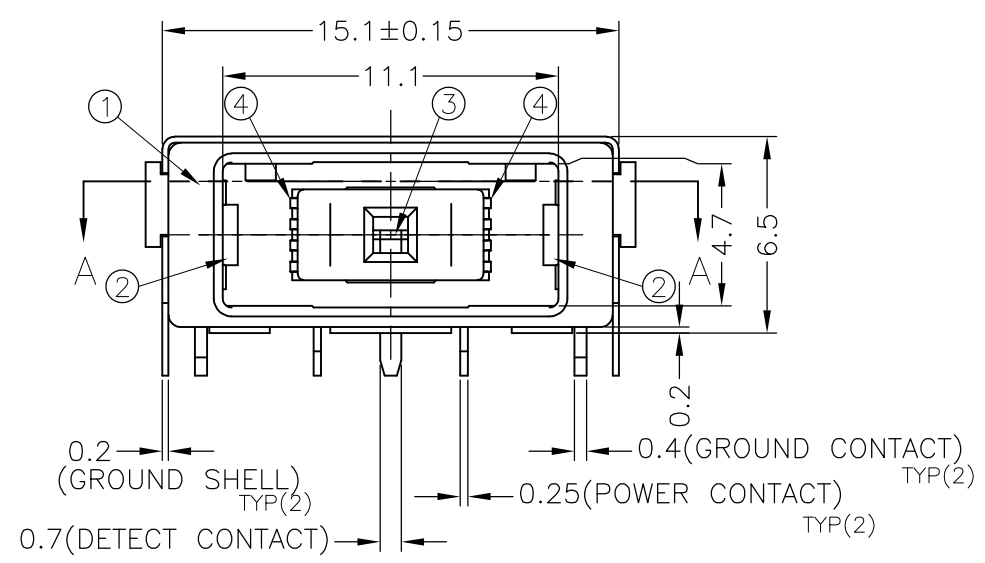


THIS DRAWING IS UNPUBLISHED. RELEASED FOR PUBLICATION  
 © COPYRIGHT - By - ALL RIGHTS RESERVED.

LOC	DIST	REVISIONS			
P	LTR	DESCRIPTION	DATE	DWN	APVD
DW	/	B5	REVISED (ECR-15-000347)	16DEC14	S.H V.P

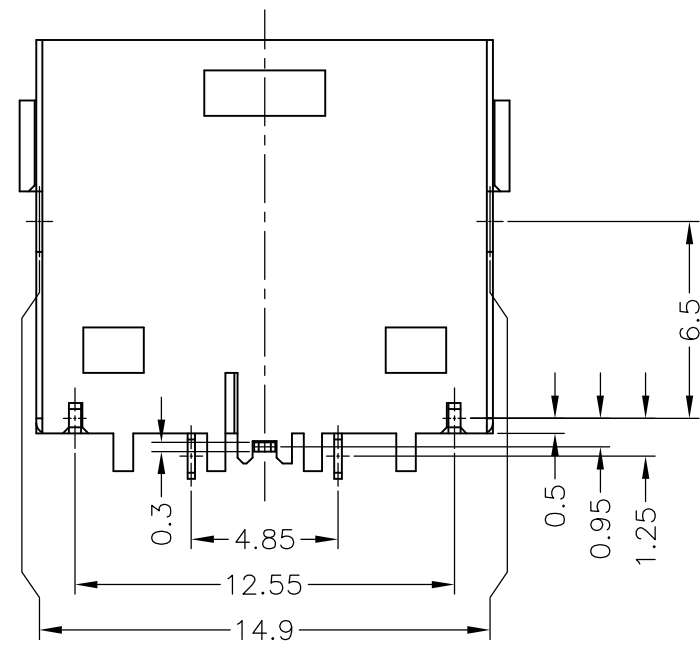


- EU ROHS-RELATED RESTRICTED SUBSTANCE SPEC IN HOMOGENEOUS MATERIAL REFER TO TEC-138-702 REV.G:  
 LEAD < 1000PPM, CADMIUM < 100PPM, MERCURY < 1000PPM  
 CHROMIUM VI < 1000PPM, PBB <1000PPM, PBDE < 1000PPM
- HALOGEN FREE SPEC:  
 CHLORINE (Cl): 900 ppm MAX.  
 BROMINE (Br): 900 ppm MAX.  
 CHLORINE (Cl) + BROMINE (Br): 1500 ppm MAX.



A'SSY P/N					
	2-2129345-1	1-2129345-2	1-2129345-1	2129345-2	2129345-1
DIM B	1.2	1.2	1.4	1.2	1.4
DIM A	1.2	1.2	1.4	1.2	1.4

Q'TY	FINISH/COLOR	MATERIAL	PART NAME	NO.
1	0.002mm MATTE TIN PLATING ON SOLDER AREA, 0.00127mm MIN. NICKEL UNDERPLATED ALL OVER	COPPER ALLOY	GROUND SHELL	⑤
2	0.0002mm GOLD PLATING ON CONTACT AREA, 0.002mm MATTE TIN PLATING ON SOLDER AREA, 0.002mm MIN. NICKEL UNDERPLATED ALL OVER	COPPER ALLOY	POWER CONTACT	④
1	0.0002mm GOLD PLATING ON CONTACT AREA, 0.002mm MATTE TIN PLATING ON SOLDER AREA, 0.002mm MIN. NICKEL UNDERPLATED ALL OVER	COPPER ALLOY	DETECT CONTACT	③
2	0.0002mm GOLD PLATING ON CONTACT AREA, 0.002mm MATTE TIN PLATING ON SOLDER AREA, 0.002mm MIN. NICKEL UNDERPLATED ALL OVER	COPPER ALLOY	GROUND CONTACT	②
1	BLACK	HIGH TEMPERATURE THERMO-PLASTIC (UL94V-0)	HOUSING	①
1	YELLOW			



THIS DRAWING IS A CONTROLLED DOCUMENT.

DWN	S.HUANG	24FEB12
CHK	V.PENG	24FEB12
APVD	W.KODAMA	24FEB12
PRODUCT SPEC	108-99035	
APPLICATION SPEC	501-99040	
WEIGHT	A3 00779	

STE TE Connectivity

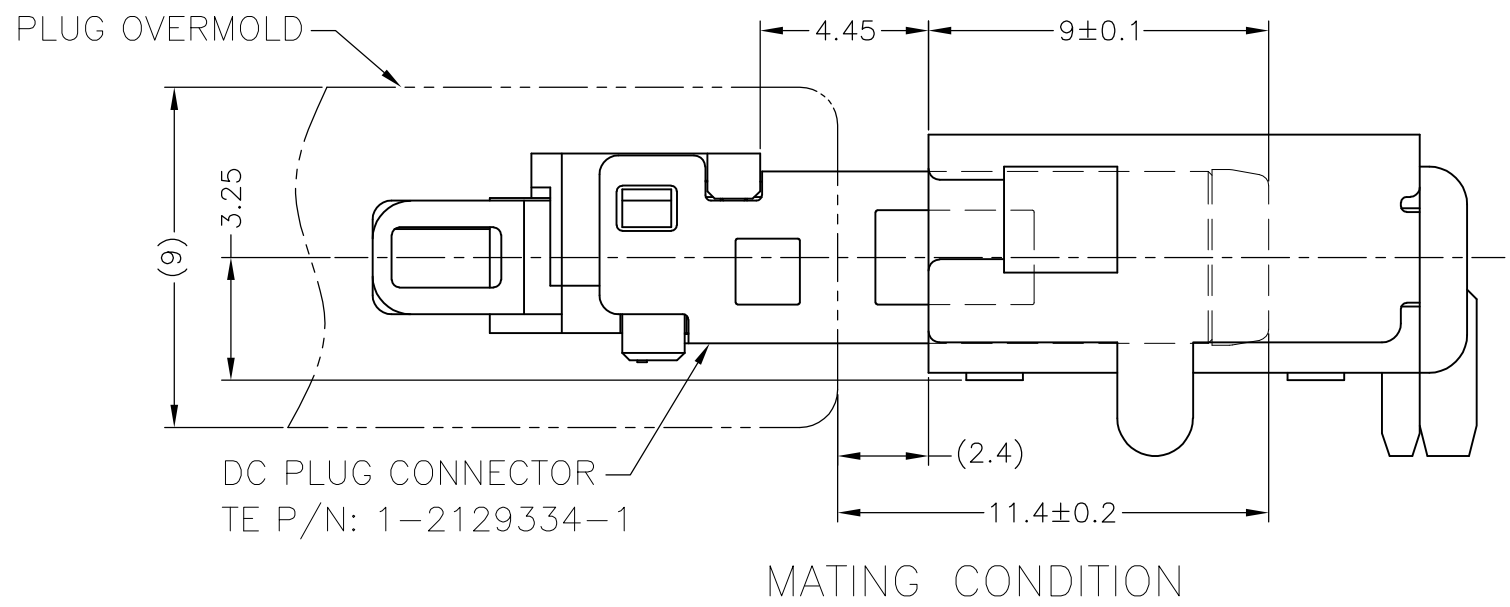
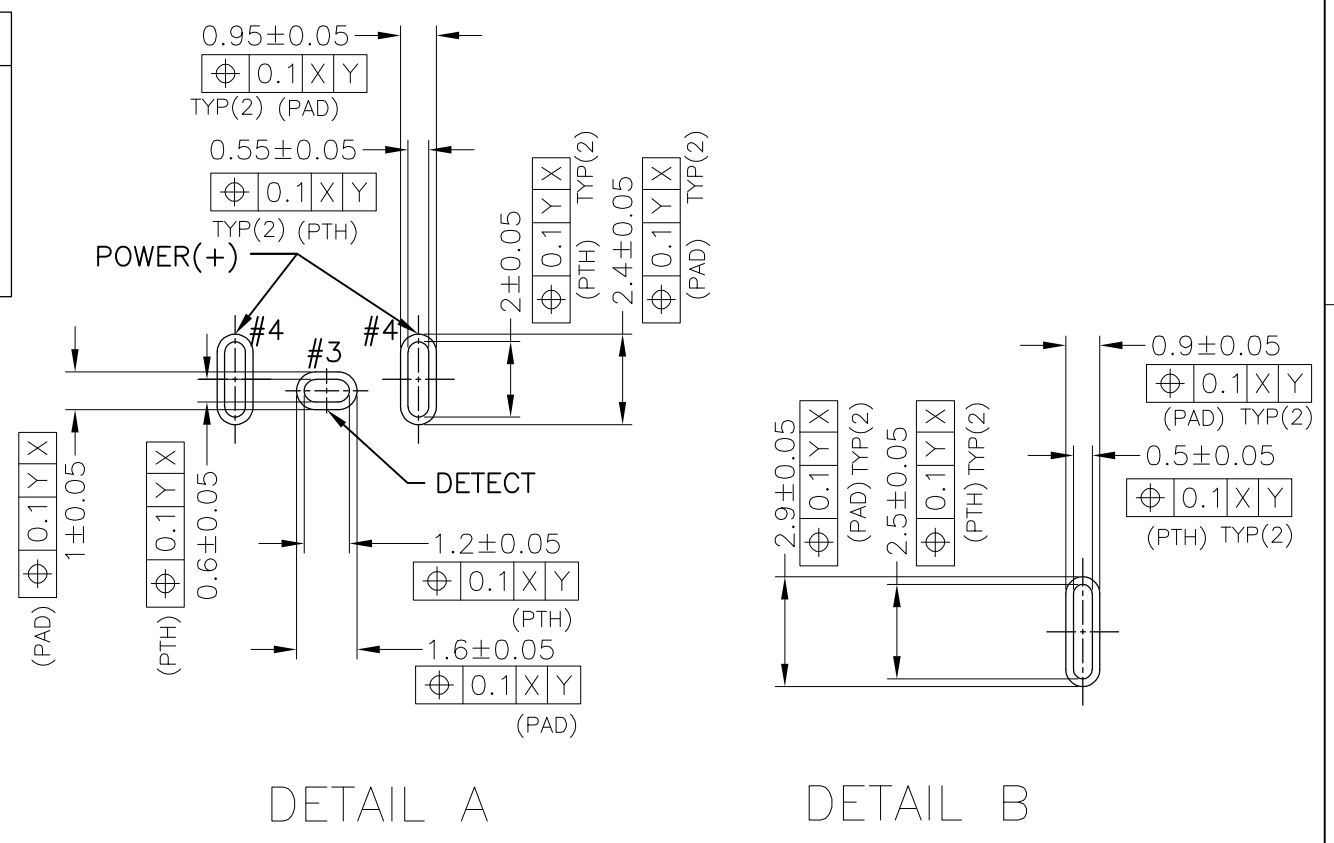
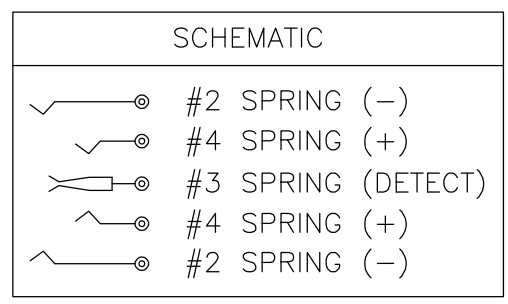
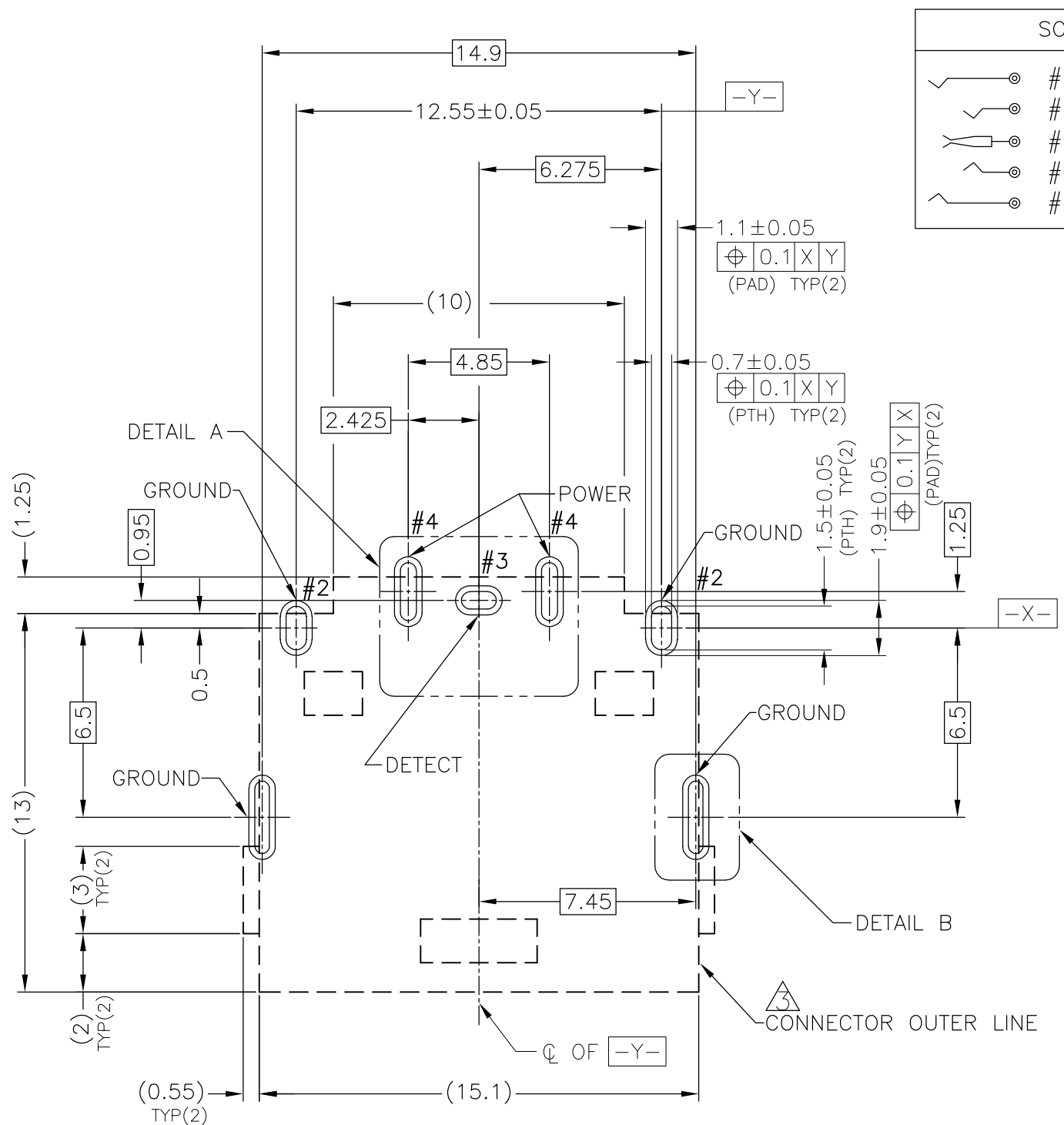
DC POWER JACK CONNECTOR  
DIP TYPE

SIZE: A3 CAGE CODE: 00779 DRAWING NO: C-2129345 RESTRICTED TO: -

CUSTOMER DRAWING SCALE: 4:1 SHEET: 1 OF 3 REV: B5

THIS DRAWING IS UNPUBLISHED. RELEASED FOR PUBLICATION  
 © COPYRIGHT - By - ALL RIGHTS RESERVED.

LOC	DIST	REVISIONS			
P	LTR	DESCRIPTION	DATE	DWN	APVD
		SEE SHEET 1	-	-	-



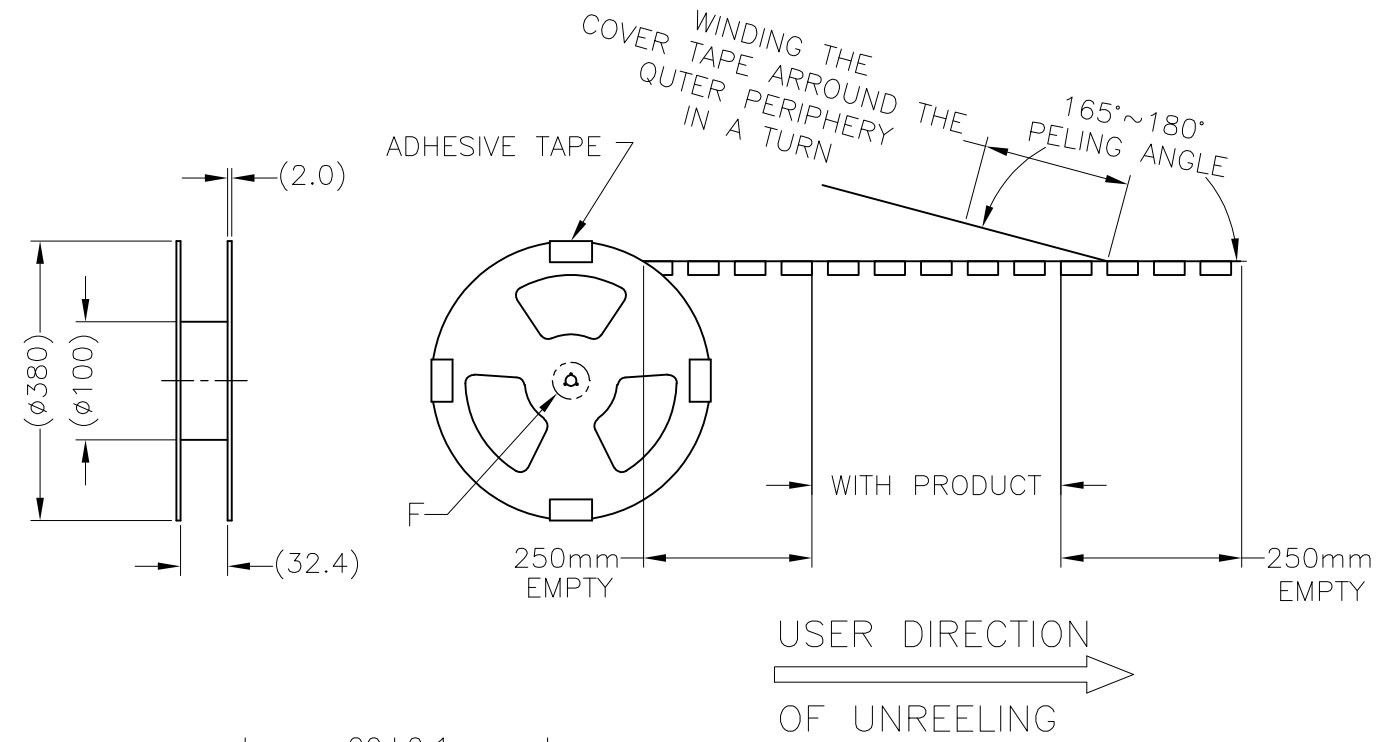
RECOMMENDED P.C.BOARD PATTERN LAYOUT (TOP VIEW)  
 TOLERANCE:±0.05 (THICKNESS=0.8mm)

⚠ [ ] : CONNECTOR OUTER LINE (NO COMPONENT AREA)

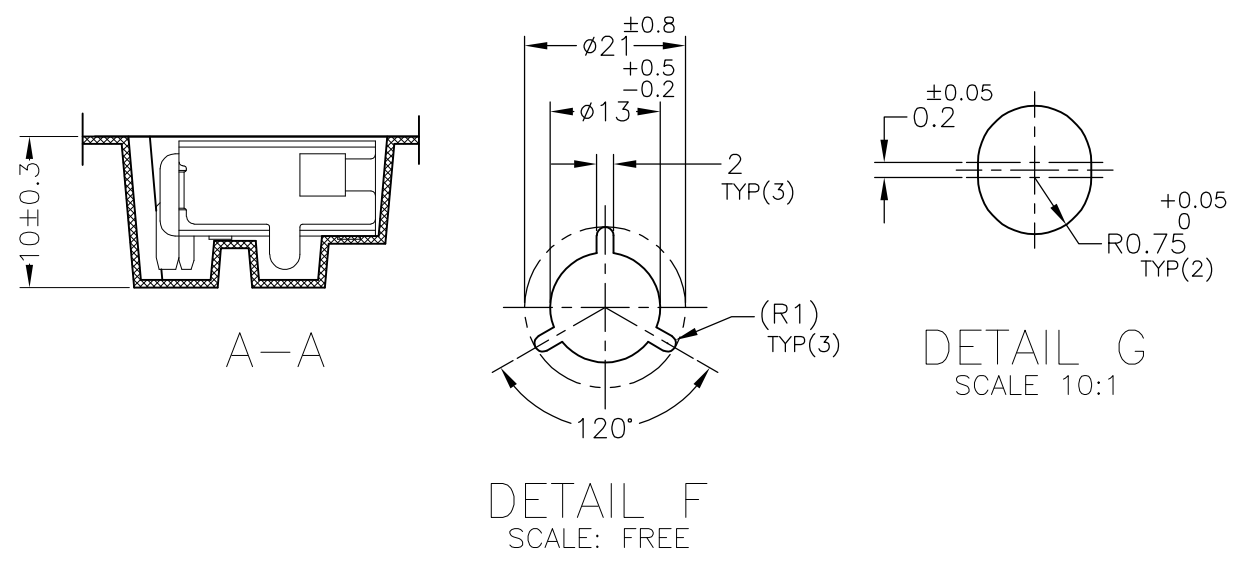
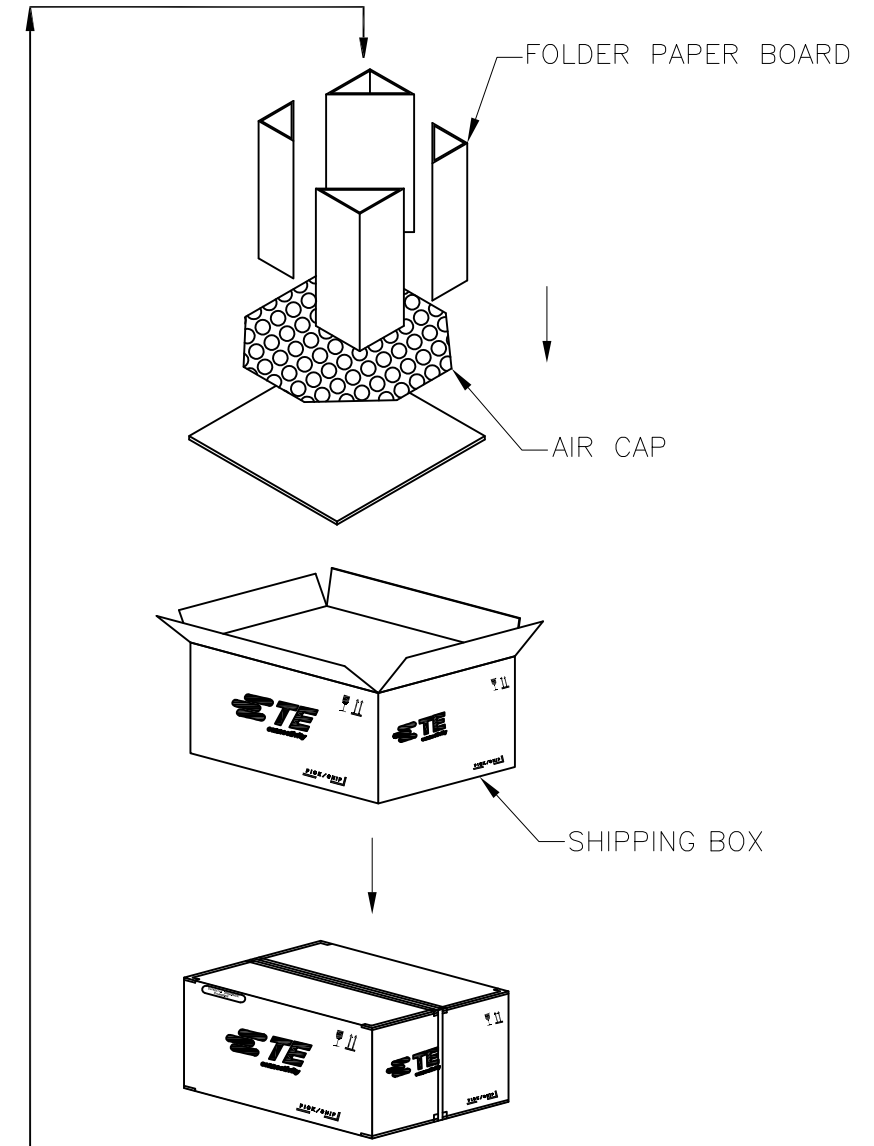
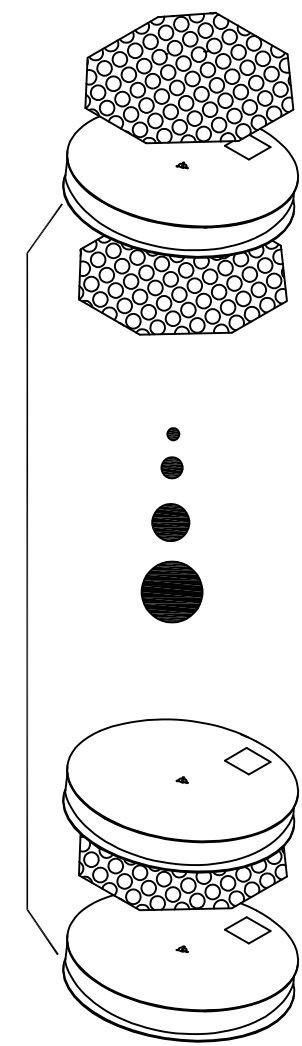
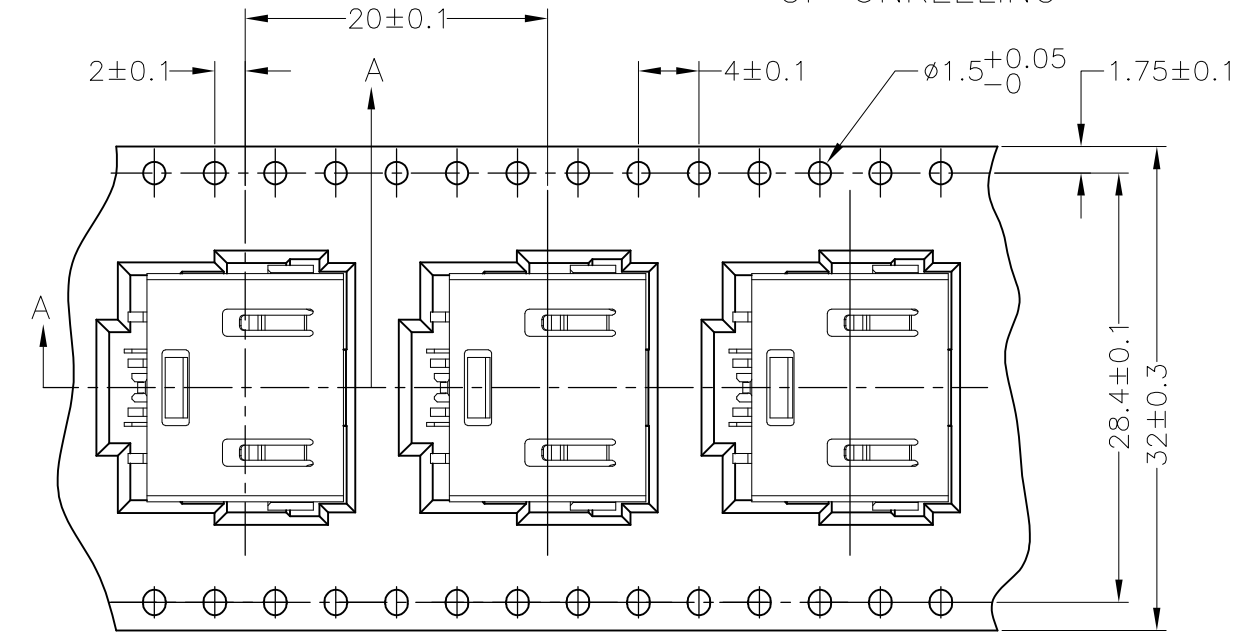
THIS DRAWING IS A CONTROLLED DOCUMENT.		DWN	TE Connectivity DC POWER JACK CONNECTOR DIP TYPE					
DIMENSIONS: mm		CHK				NAME		
TOLERANCES UNLESS OTHERWISE SPECIFIED:		APVD				PRODUCT SPEC		
0-PLC ± - 1-PLC ± - 2-PLC ± - ±0.25 3-PLC ± - ±3° 4-PLC ± - ANGLES ± - FINISH ± -		PRODUCT SPEC				APPLICATION SPEC		
MATERIAL		WEIGHT	SIZE	CAGE CODE	DRAWING NO	RESTRICTED TO		
			A3	00779	C-2129345			
CUSTOMER DRAWING			SCALE	SHEET	REV			
			5:1	2 OF 3	B5			

THIS DRAWING IS UNPUBLISHED. RELEASED FOR PUBLICATION  
 © COPYRIGHT - By - ALL RIGHTS RESERVED.

LOC	DIST	REVISIONS			
P	LTR	DESCRIPTION	DATE	DWN	APVD
DW	/	SEE SHEET 1	-	-	-



4. SHIPPING BOX DIMENSION: 445mmX445mmX270mm



450	5	2250
PCS/REEL	REEL/SHIPPING BOX	TOTAL Q'TY

THIS DRAWING IS A CONTROLLED DOCUMENT.		DWN	-		
DIMENSIONS: mm		CHK	-		
TOLERANCES UNLESS OTHERWISE SPECIFIED:		APVD	-		
0 PLC ± -		PRODUCT SPEC	-		
1 PLC ± -		APPLICATION SPEC	-		
2 PLC ± - ±0.25		WEIGHT	-		
3 PLC ± - ±3°		CUSTOMER DRAWING	-		
4 PLC ± -		SCALE	NA	SHEET	3 OF 3
ANGLES ± -		RESTRICTED TO	-		
FINISH		REV	B5		



DC POWER JACK CONNECTOR  
 DIP TYPE

NAME	-			
SIZE	CAGE CODE	DRAWING NO	RESTRICTED TO	
A3	00779	C-2129345	-	

# Mouser Electronics

Authorized Distributor

Click to View Pricing, Inventory, Delivery & Lifecycle Information:

[TE Connectivity:](#)

[1-2129345-1](#)