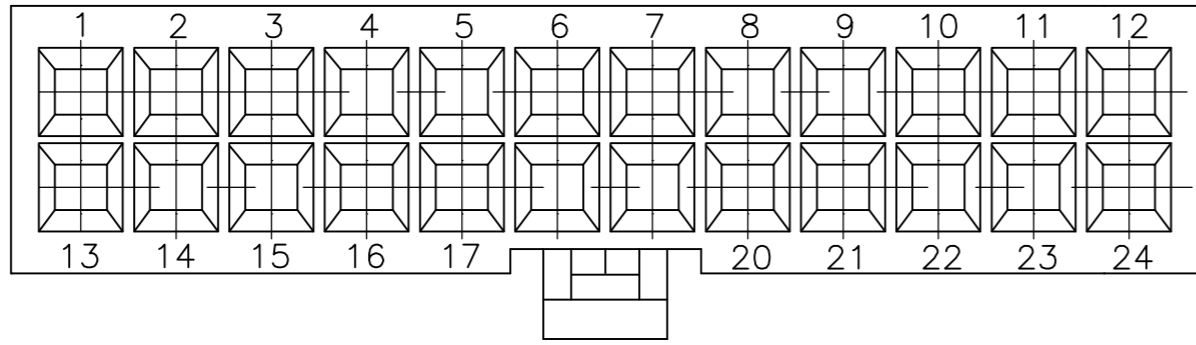
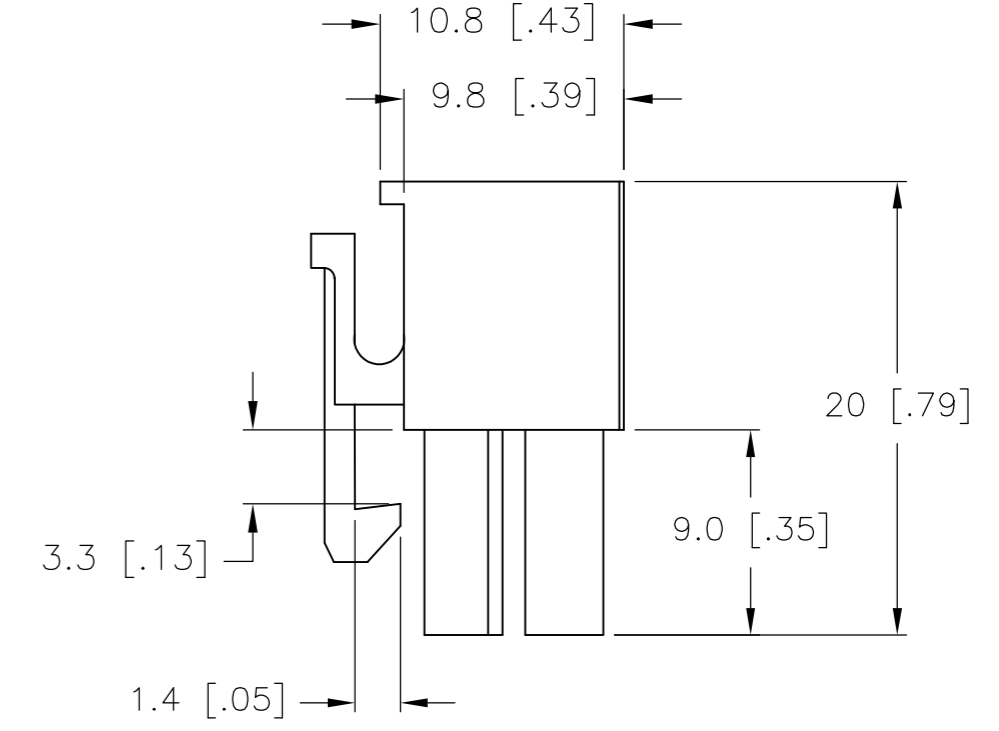
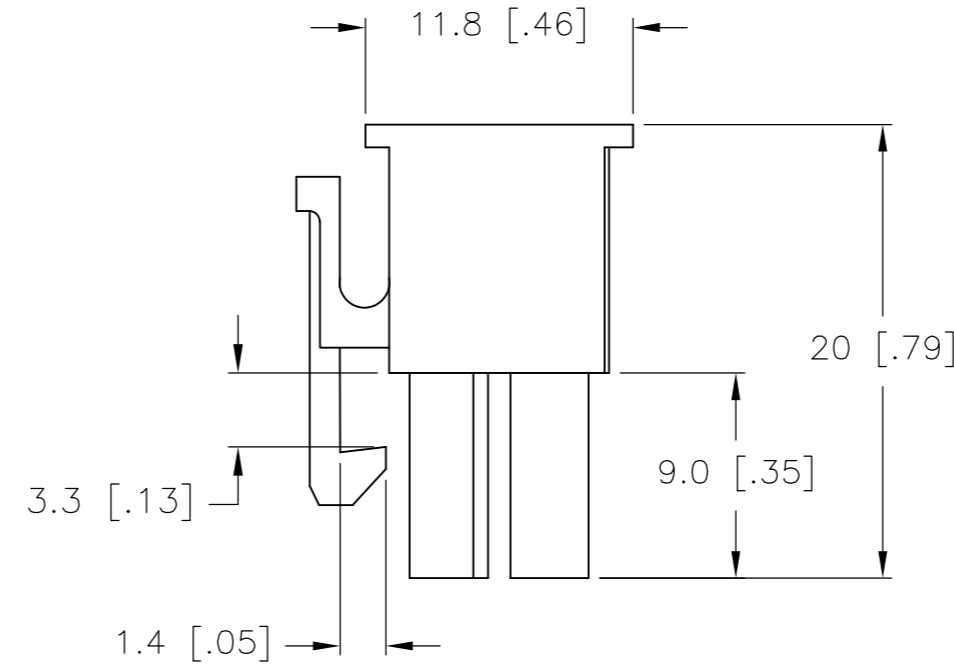
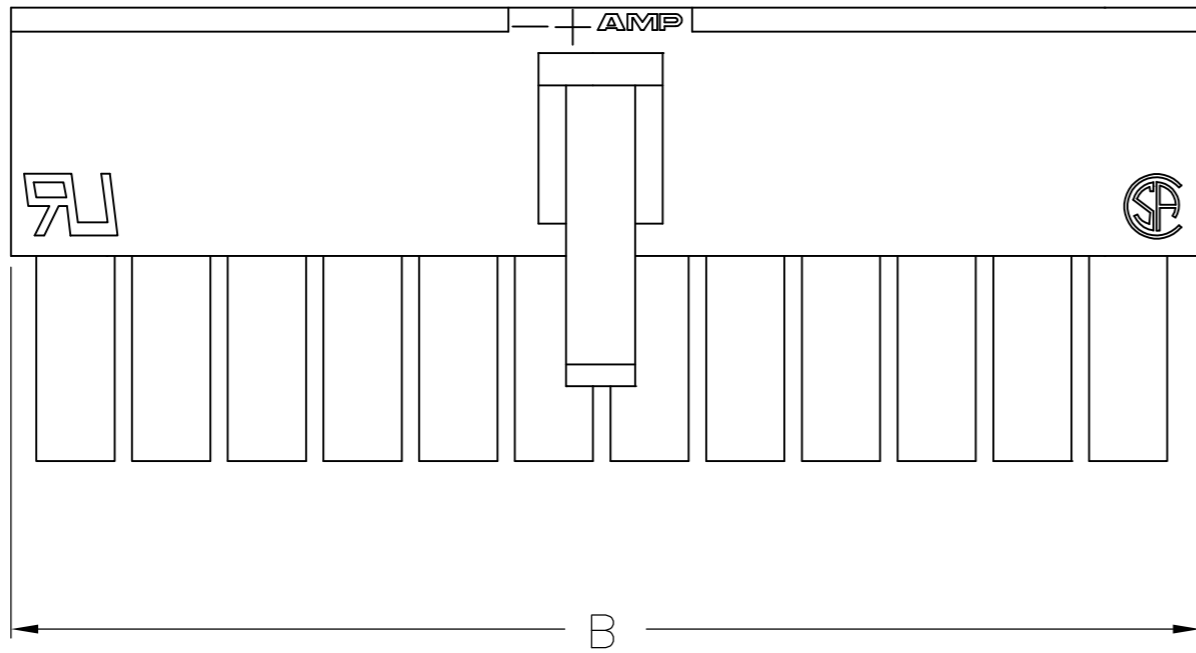


THIS DRAWING IS UNPUBLISHED. RELEASED FOR PUBLICATION
 © COPYRIGHT - By - ALL RIGHTS RESERVED.

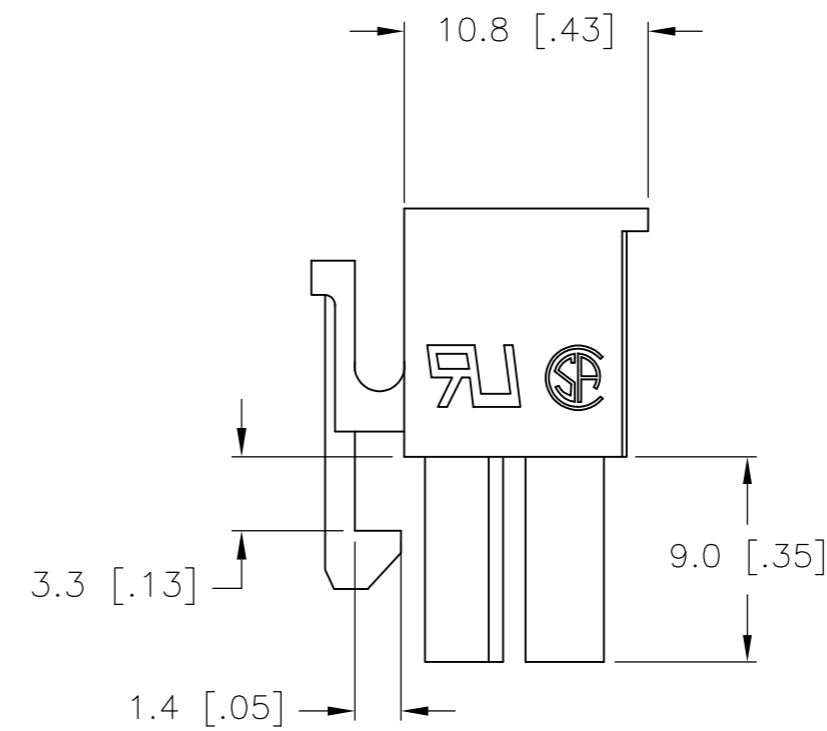
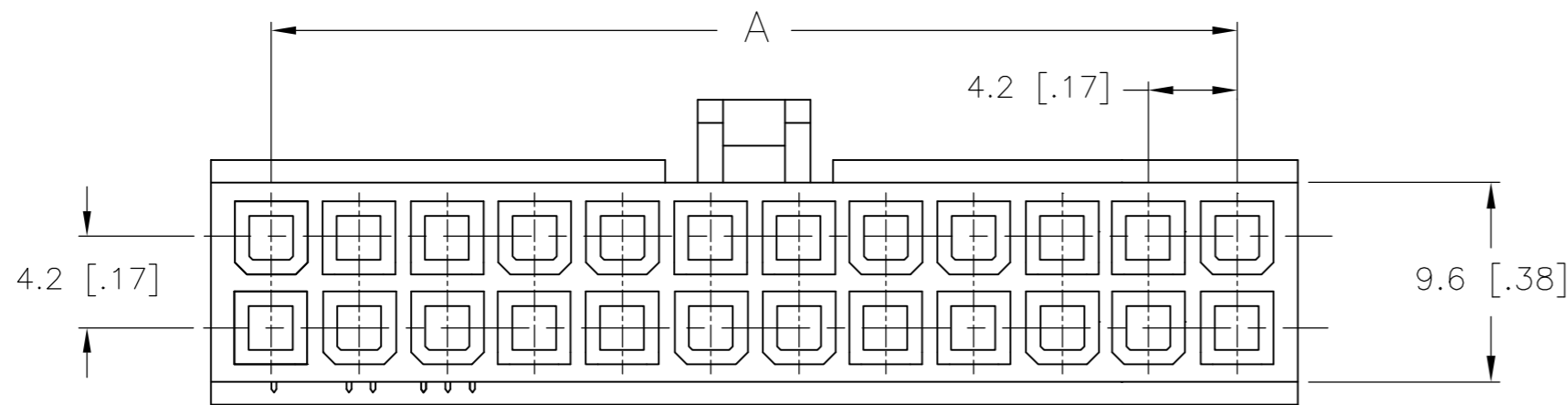
LOC		DIST		REVISIONS			
P	LTR	DESCRIPTION		DATE	DWN	APVD	
CM	00	C1	REVISED PER ECR-15-018478		07JAN2016	NK	DC



△1 MATERIAL: NYLON, UL94V-0.



ONLY FOR 5-1586019-8



ONLY FOR 1586019-2

5.4	-	2	1586019-2
9.6	4.2	4	1586019-4
13.8	8.4	6	1586019-6
18.0	12.6	8	1586019-8
22.2	16.8	10	1-1586019-0
26.4	21.0	12	1-1586019-2
30.6	25.2	14	1-1586019-4
34.8	29.4	16	1-1586019-6
39.0	33.6	18	1-1586019-8
43.2	37.8	20	2-1586019-0
47.4	42.0	22	2-1586019-2
51.6	46.2	24	2-1586019-4
18.0	12.6	8	5-1586019-8
DIM B	DIM A	POS.	PART NUMBER

THIS DRAWING IS A CONTROLLED DOCUMENT.		DWN	19-AUG-2002		
DIMENSIONS: mm [INCHES]		CHK	19-AUG-2002		
TOLERANCES UNLESS OTHERWISE SPECIFIED:		APVD	19-AUG-2002		
0 PLC ± 1 PLC ± 0.4 [.02] 2 PLC ± 0.25 [.010] 3 PLC ± 0.150 [.0059] 4 PLC ± ANGLES ± FINISH		NAME	108-2112		
MATERIAL		PRODUCT SPEC	114-13172	RECEPTACLE HOUSING, VO, VAL-U-LOK(TM)	
△1		APPLICATION SPEC	114-13172	SIZE	A2
		WEIGHT		CAGE CODE	00779
		CUSTOMER DRAWING		DRAWING NO	C=1586019
		SCALE	3:1	SHEET	1 OF 1
		REV	C1	RESTRICTED TO	-

Mouser Electronics

Authorized Distributor

Click to View Pricing, Inventory, Delivery & Lifecycle Information:

[TE Connectivity:](#)

[1-1586019-0](#)