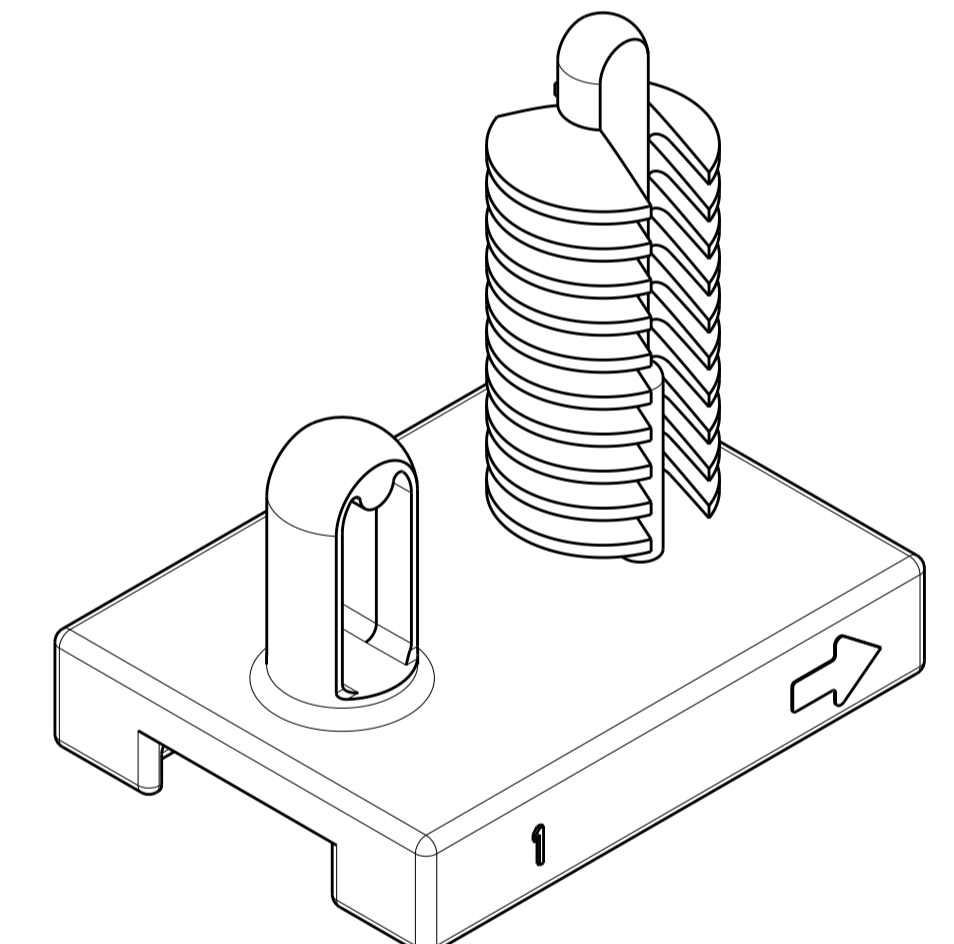
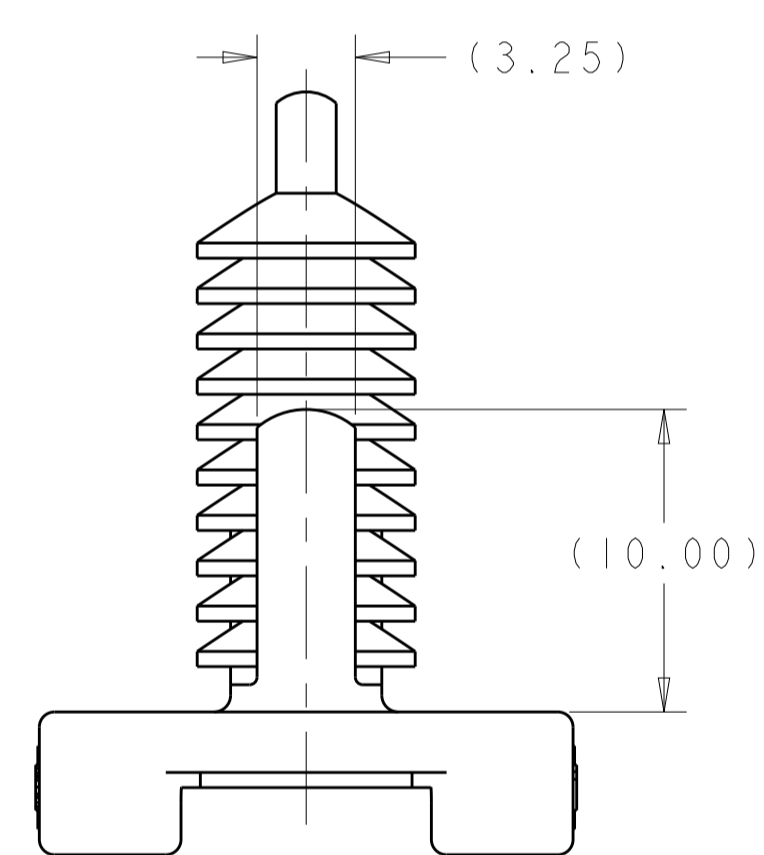
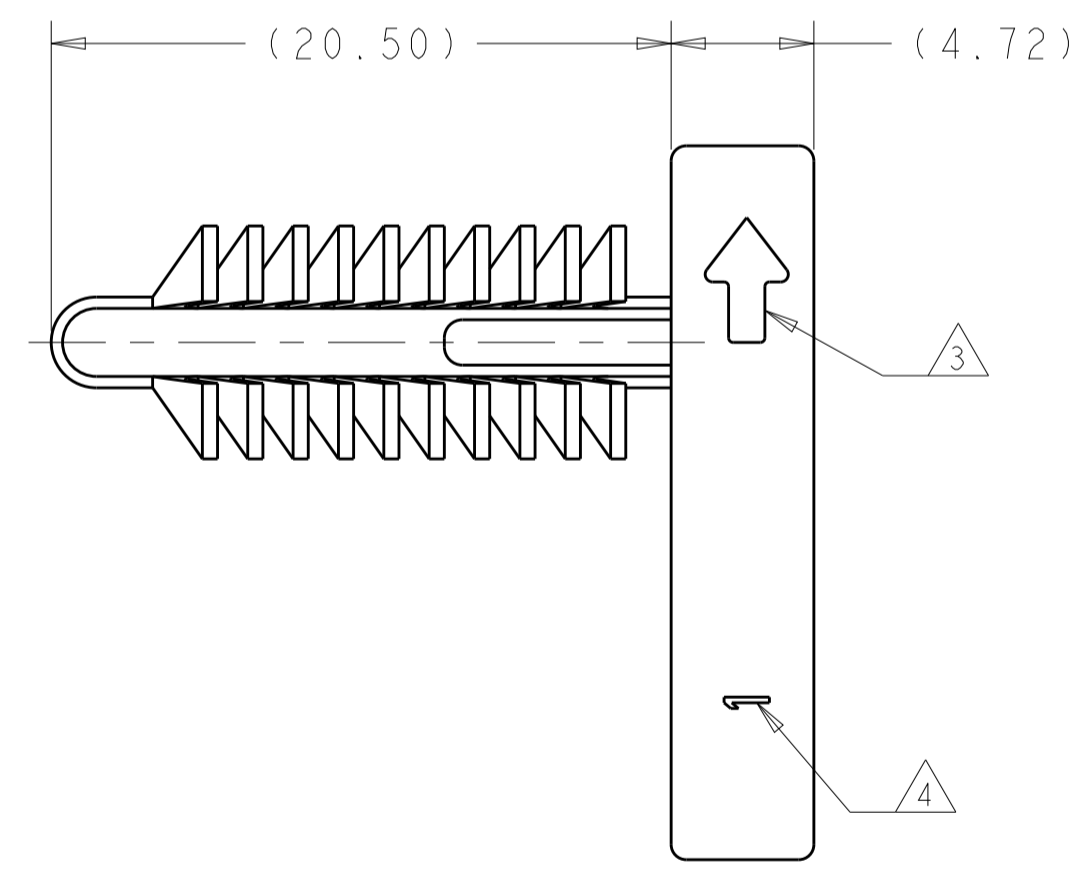
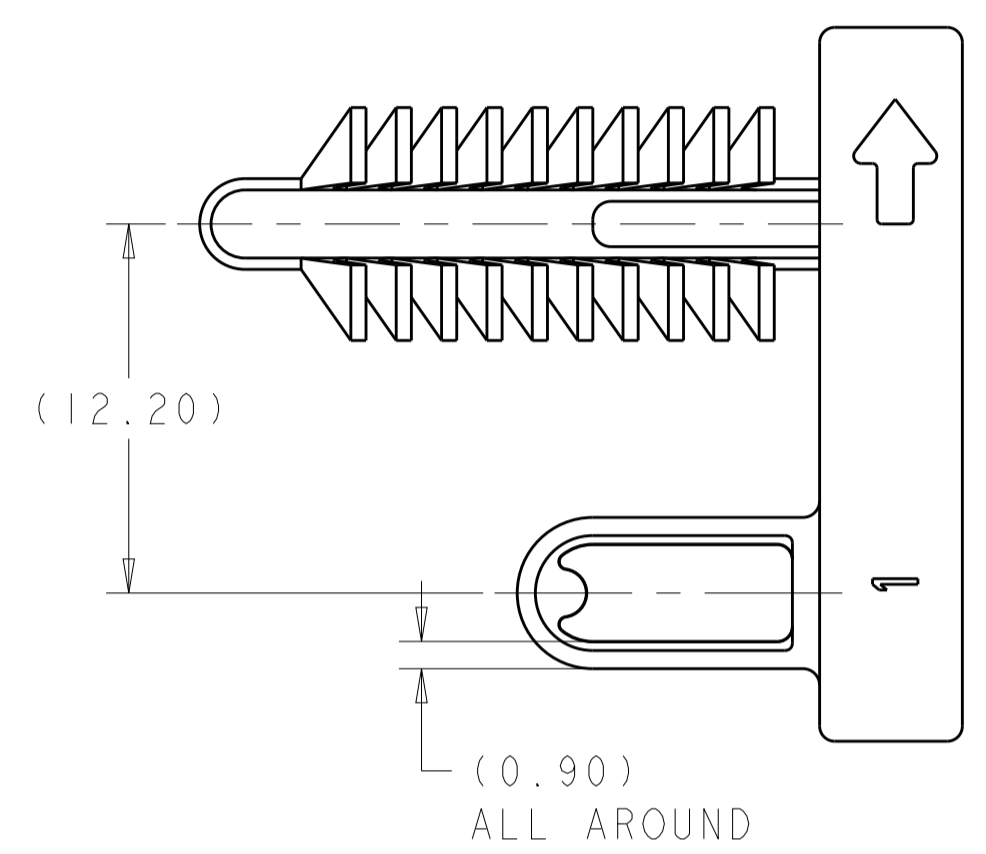
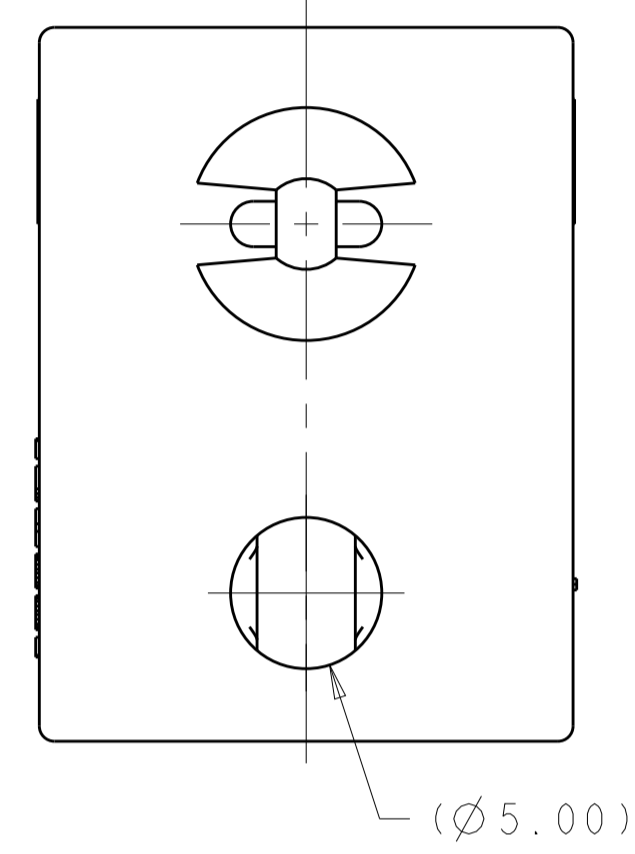
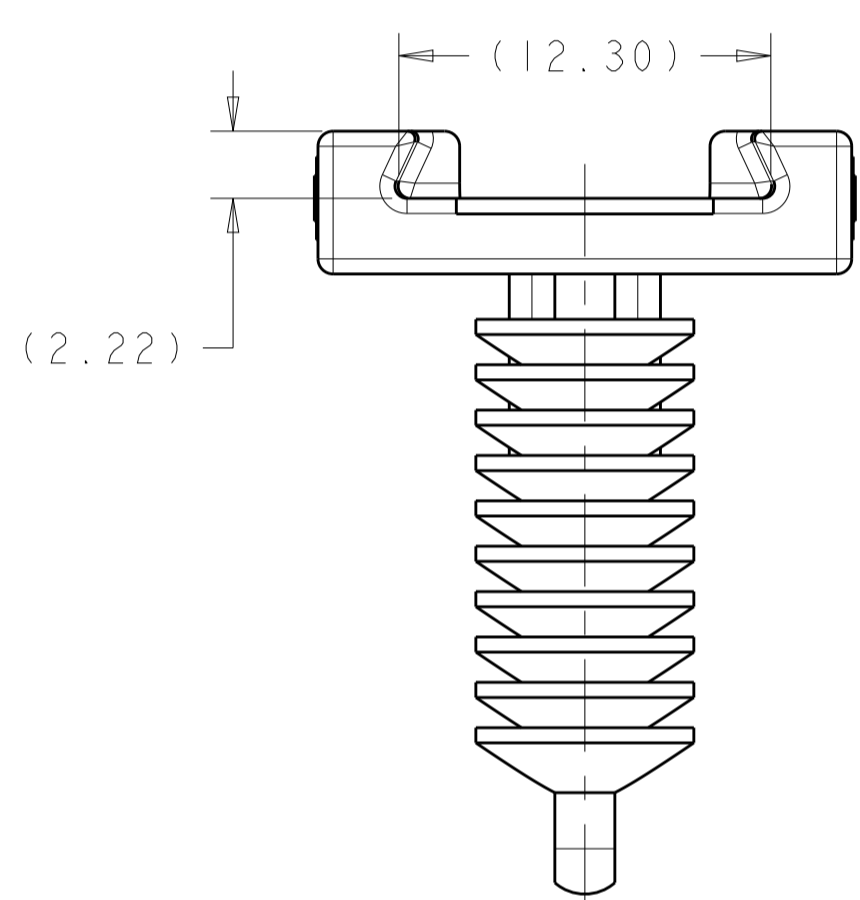


REVISIONS				
P.	LTN	DESCRIPTION	DATE	APVD
D		REVISED PER ECO-15-014592	09OCT2015	JM RB
D1		REVISED PER ECO-15-018109	17DEC2015	DD RB

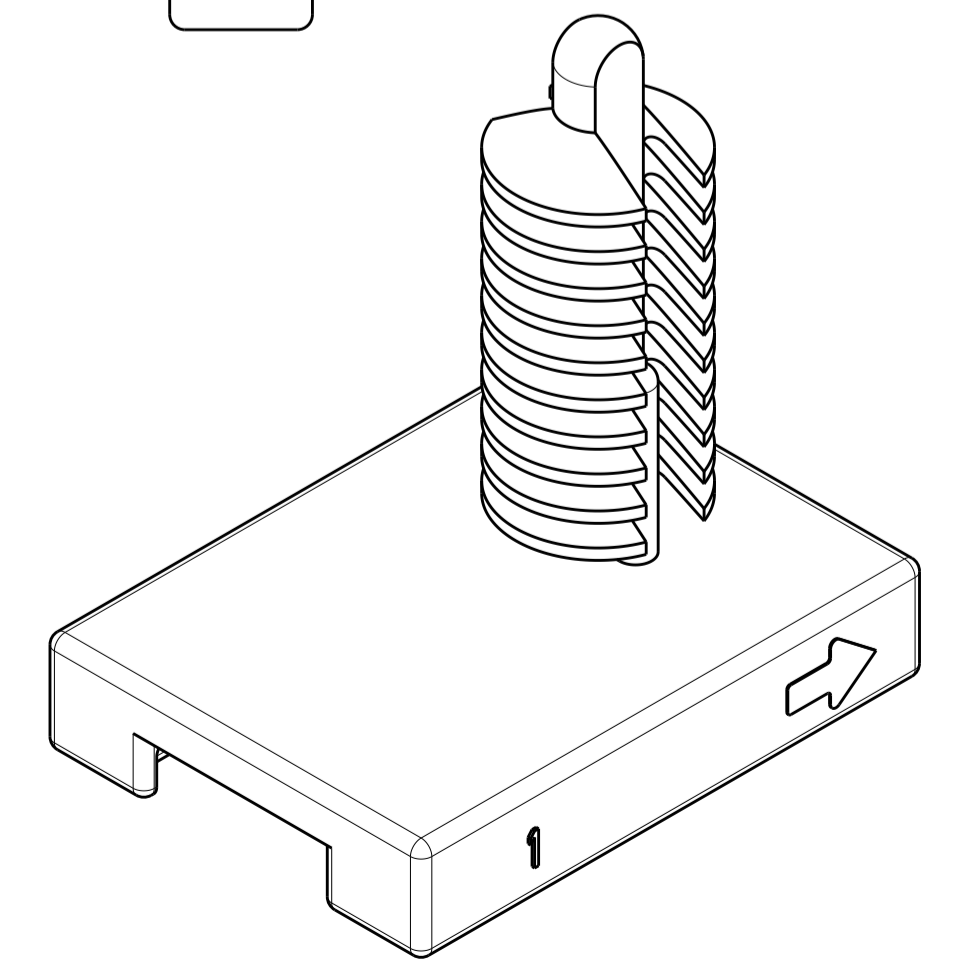
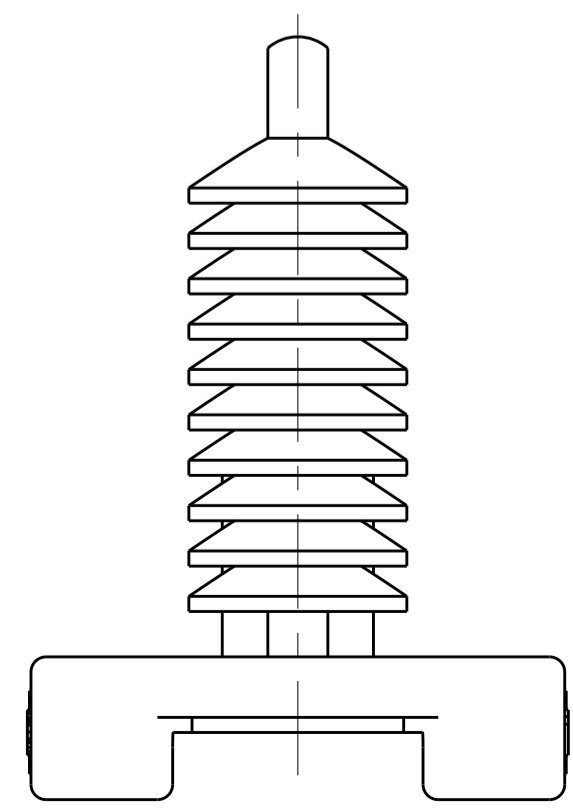
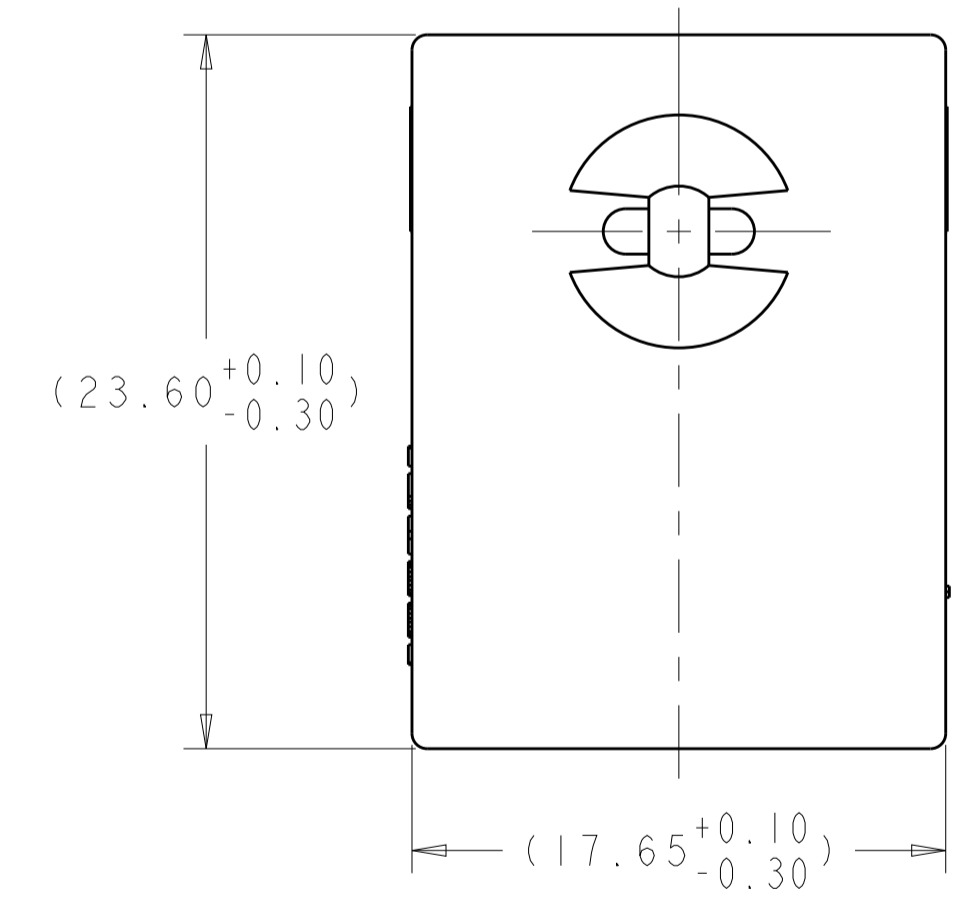
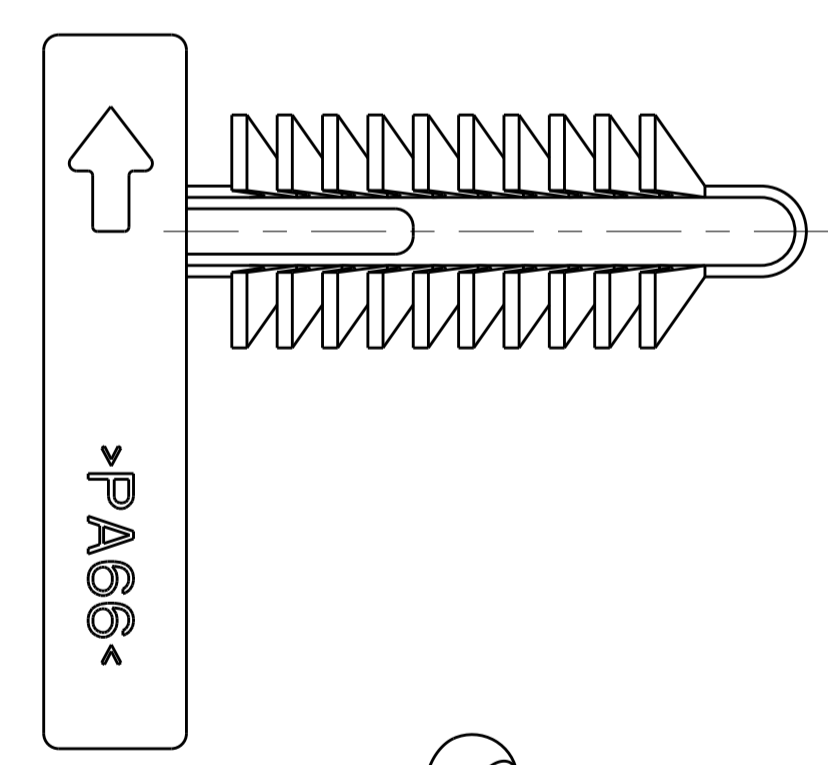
RECOMMENDED MOUNTING PARAMETERS  
 1924487-1 AND 1924487-2 ONLY

CONNECTOR POSITION	TREE HOLE (THREADED)	ANTI-ROTATION HOLE (THREADED OR UNTHREADED)	THREAD DEPTH (MINIMUM)
2	M8	M6 (5.0mm)	4mm
3	M8	M6 (5.0mm)	6mm
4	M8	M6 (5.0mm)	6mm
6	M8	M6 (5.0mm)	6mm
8	M8	M6 (5.0mm)	8mm
12	M8	M6 (5.0mm)	8mm

- △ MATERIAL: NYLON 6/6, COLOR: BLACK
- 2. MOUNTING PARAMETERS: SEE RECOMMENDED MOUNTING TABLE ON LEFT SIDE.
- △3 AREA TO BE FROSTED APPROXIMATELY WHERE SHOWN.
- △4 CAVITY ID.
- △5 ANTI-ROTATION POST DIMENSIONS ONLY APPLY TO 1924487-2.



1924487-2  
 DIMS SAME AS 1924487-1 EXCEPT AS SHOWN



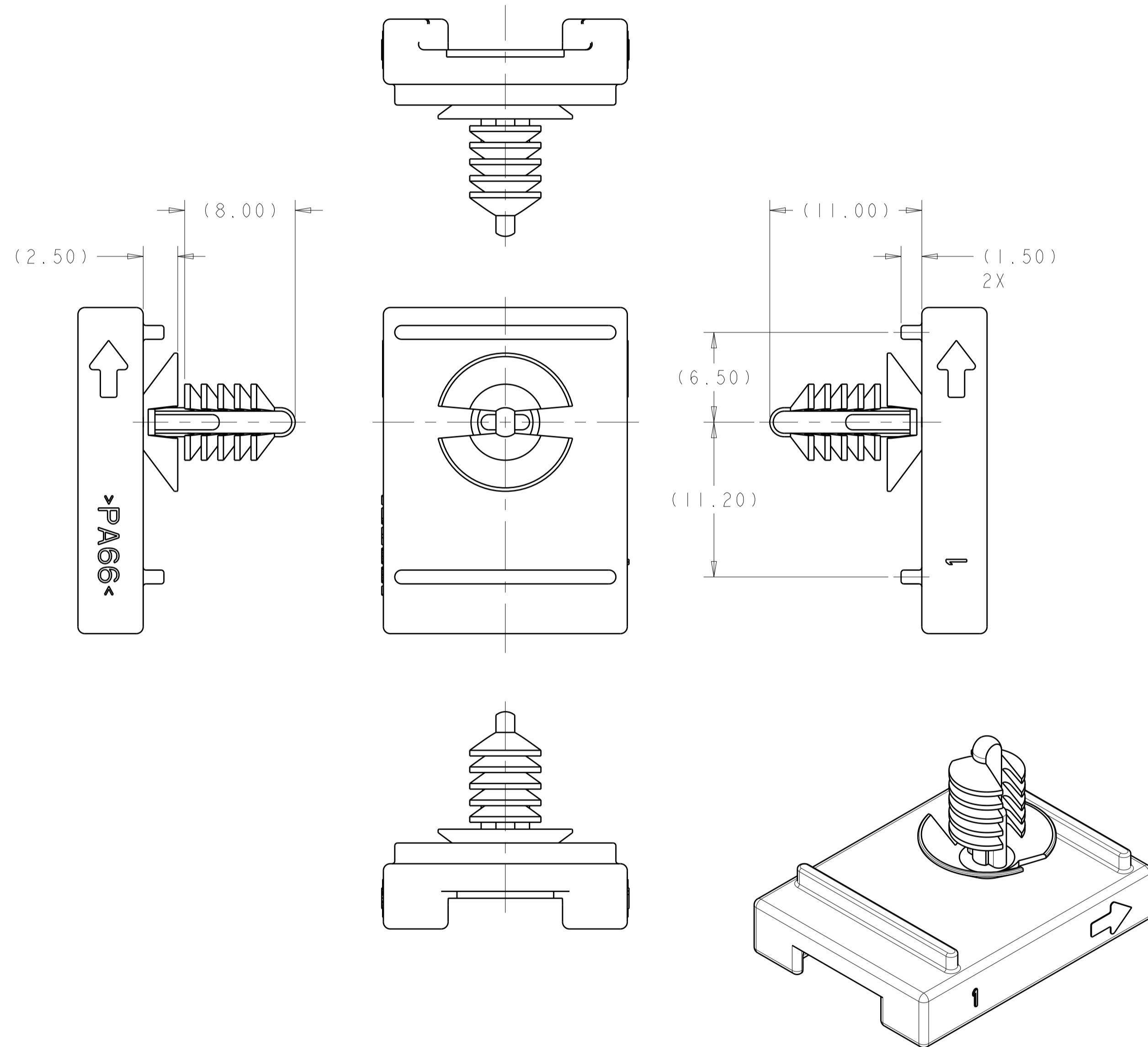
1924487-1

1.50 grams	1924487-3
1.65 grams	1924487-2
1.60 grams	1924487-1
WEIGHT (g)	PART NUMBER

THIS DRAWING IS A CONTROLLED DOCUMENT.		OWN J. MARKEY 22FEB2008	TE Connectivity	
DIMENSIONS:		CHK J. MARKEY 22FEB2008	NAME RETAINER CLIP, AMPSEAL 16	
mm	TOLERANCES UNLESS OTHERWISE SPECIFIED:	APVD J. MARKEY 22FEB2008	PRODUCT SPEC	
Ø	0 PLC ±	APPLICATION SPEC	SIZE CAGE CODE DRAWING NO RESTRICTED TO	
	1 PLC ±0.5	WEIGHT	A100779C=1924487	
	2 PLC ±0.3	CUSTOMER DRAWING	SCALE 3:1	SHEET 1 OF 2
	3 PLC ±			REV D1
	4 PLC ±			
	ANGLES ±			
	FINISH			

REVISIONS				
P.	LTH	DESCRIPTION	DATE	APVD
-	-	SEE SHEET 1	-	-

RECOMMENDED MOUNTING PARAMETERS  
 1924487-3 ONLY  
 1924487-3 TO SNAP INTO Ø4.7MM HOLE  
 IN 3MM STOCK SHEET METAL.



1924487-3  
 DIMS SAME AS 1924487-1  
 EXCEPT AS SHOWN

THIS DRAWING IS A CONTROLLED DOCUMENT.		DWN J. MARKEY 22FEB2008	TE Connectivity
DIMENSIONS:		CHK J. MARKEY 22FEB2008	
TOLERANCES UNLESS OTHERWISE SPECIFIED:		APVD J. MARKEY 22FEB2008	
mm 0 PLC ± 1 PLC ±0.5 2 PLC ±0.3 3 PLC ± 4 PLC ± ANGLES ±		NAME PRODUCT SPEC APPLICATION SPEC WEIGHT CUSTOMER DRAWING	
MATERIAL		SIZE CAGE CODE DRAWING NO	RESTRICTED TO
FINISH		A100779C=1924487	
SCALE 3:1		SHEET 2 OF 2	REV D1

# Mouser Electronics

Authorized Distributor

Click to View Pricing, Inventory, Delivery & Lifecycle Information:

[TE Connectivity:](#)

[1924487-2](#)