

## Flush-type connector - SACC-DSI-FS-17CON-PG9/0,5 SCO - 1430462

Please be informed that the data shown in this PDF Document is generated from our Online Catalog. Please find the complete data in the user's documentation. Our General Terms of Use for Downloads are valid (<http://phoenixcontact.com/download>)



Sensor/actuator flush-type socket, 17-pos., M12 SPEEDCON, rear/screw mounting with Pg9 thread, with 0.5 m halogen-free TPE litz wire, 17 x 0.14 mm<sup>2</sup>

### Your advantages

- ✓ Pre-assembled with litz wires for immediate use
- ✓ Customer-specific assemblies and litz wire lengths available
- ✓ Sealed on the litz wire side for optimum leak-tightness
- ✓ All standard pin assignments and codings for signal, data, and power transmission with a uniform design-in design
- ✓ For high transmission safety: shield connection to the housing with optional EMC nut
- ✓ SPEEDCON fast locking system reduces cabling times



### Key Commercial Data

|              |               |
|--------------|---------------|
| Packing unit | 1 pc          |
| GTIN         |               |
| GTIN         | 4046356325820 |

### Technical data

#### Dimensions

|                 |       |
|-----------------|-------|
| Length of cable | 0.5 m |
|-----------------|-------|

#### Ambient conditions

|                                 |                                  |
|---------------------------------|----------------------------------|
| Ambient temperature (operation) | -25 °C ... 85 °C (Plug / socket) |
| Degree of protection            | IP67 (When plugged in)           |
|                                 | IP65 (When plugged in)           |

#### General

|      |  |
|------|--|
| Note | The electrical and mechanical data specified assume that the connector pair is correctly locked and mounted. If the connector is unlocked and if there is a danger of contamination, the connector must be sealed using a protective cap > IP54. Influences arising from litz wires, cables or PCB assembly must also be taken into consideration. |
|------|--|

# Flush-type connector - SACC-DSI-FS-17CON-PG9/0,5 SCO - 1430462

## Technical data

### General

|                             |                                   |
|-----------------------------|-----------------------------------|
| Rated current at 40°C       | 1.5 A                             |
| Rated voltage               | 30 V                              |
| Rated surge voltage         | 0.8 kV                            |
| Number of positions         | 17                                |
| Insulation resistance       | ≥ 100 MΩ                          |
| Coding                      | A - standard                      |
| Standards/regulations       | M12 connector IEC 61076-2-101     |
| Status display              | No                                |
| Overvoltage category        | II                                |
| Degree of pollution         | 3                                 |
| Connection method           | Individual wires                  |
| Insertion/withdrawal cycles | > 100                             |
| Torque                      | 3 Nm ... 4 Nm (Installation-side) |
| Mounting type               | Rear mounting Pg9 With flat nut   |

### Material

|  |                              |
|--|------------------------------|
| Flammability rating according to UL 94 | V0                           |
| Contact material                       | CuZn                         |
| Contact surface material               | Au                           |
| Contact carrier material               | PA 6.6                       |
| Material, knurls                       | Zinc die-cast, nickel-plated |
| Sealing material                       | NBR                          |

### Cable

|                                    |  |
|------------------------------------|--|
| Cable type                         | TPE litz wire  |
| Conductor cross section            | 0.14 mm <sup>2</sup>   |
| AWG signal line                    | 26   |
| Conductor structure signal line    | 7x 0.16 mm   |
| Core diameter including insulation | 1.1 mm ±0.05 mm  |
| Thickness, insulation              | 0.21 mm  |
| Wire colors                        | brown, blue, white, green, pink, yellow, black, gray, red, violet, gray/pink, red/blue, white/green, brown/green, white/yellow, yellow/brown, white/gray |
| Material conductor insulation      | TPE  |
| Conductor material                 | Tin-plated Cu litz wires   |
| Standards/specifications           | M12 connector IEC 61076-2-101  |
| Insulation resistance              | ≥ 20 MΩ*km   |
| Conductor resistance               | ≤ 57.6 mΩ/m  |
| Nominal voltage, cable             | 300 V  |
| Test voltage, cable                | 2000 V AC  |
| Ambient temperature (operation)    | -40 °C ... 85 °C (cable, fixed installation)   |
|                                    | -25 °C ... 85 °C (cable, flexible installation)  |

# Flush-type connector - SACC-DSI-FS-17CON-PG9/0,5 SCO - 1430462

## Technical data

### Standards and Regulations

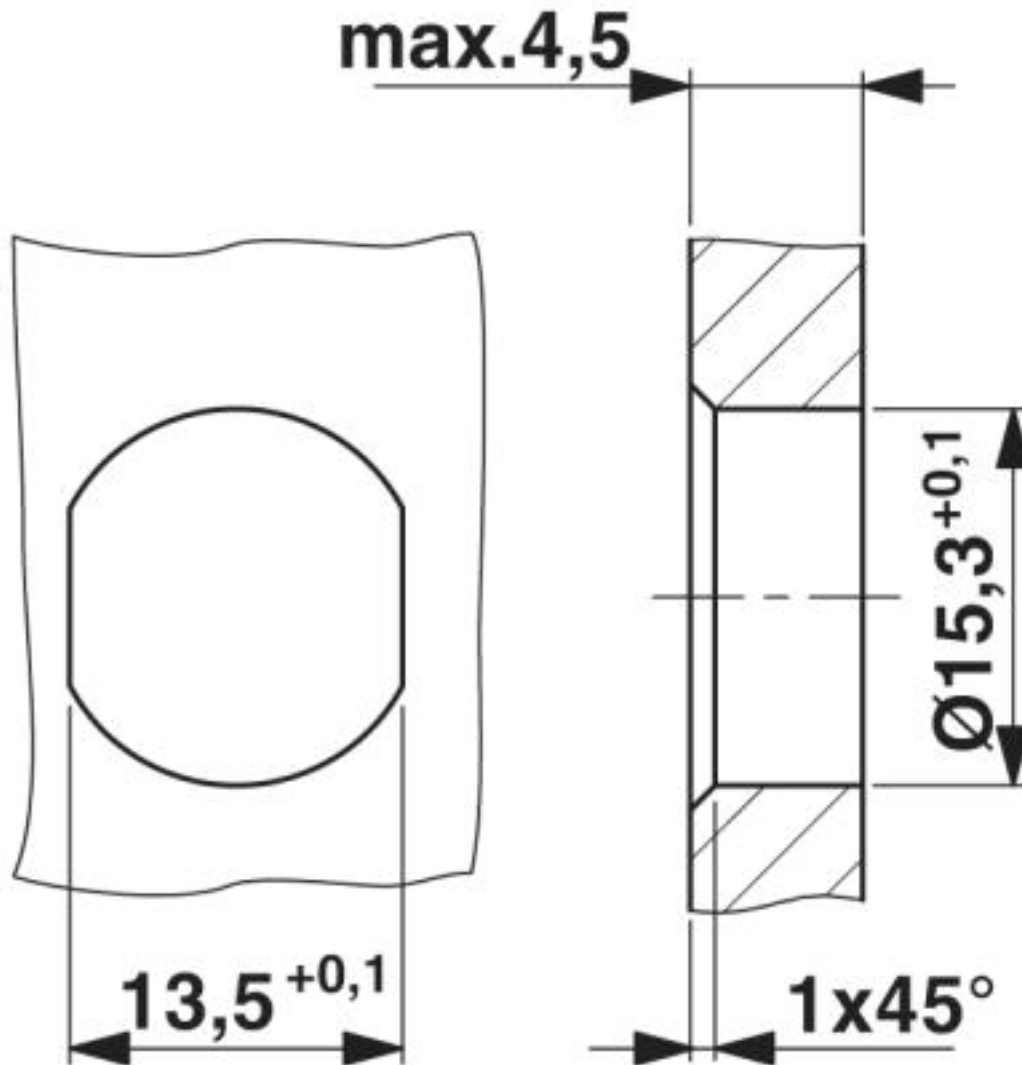
|  |                               |
|--|-------------------------------|
| Standards/specifications               | M12 connector IEC 61076-2-101 |
| Flammability rating according to UL 94 | V0                            |

### Environmental Product Compliance

|            |   |
|------------|---|
| REACH SVHC | Lead 7439-92-1  |
| China RoHS | Environmentally Friendly Use Period = 50  |
|            | For details about hazardous substances go to tab "Downloads", Category "Manufacturer's declaration" |

## Drawings

Dimensional drawing

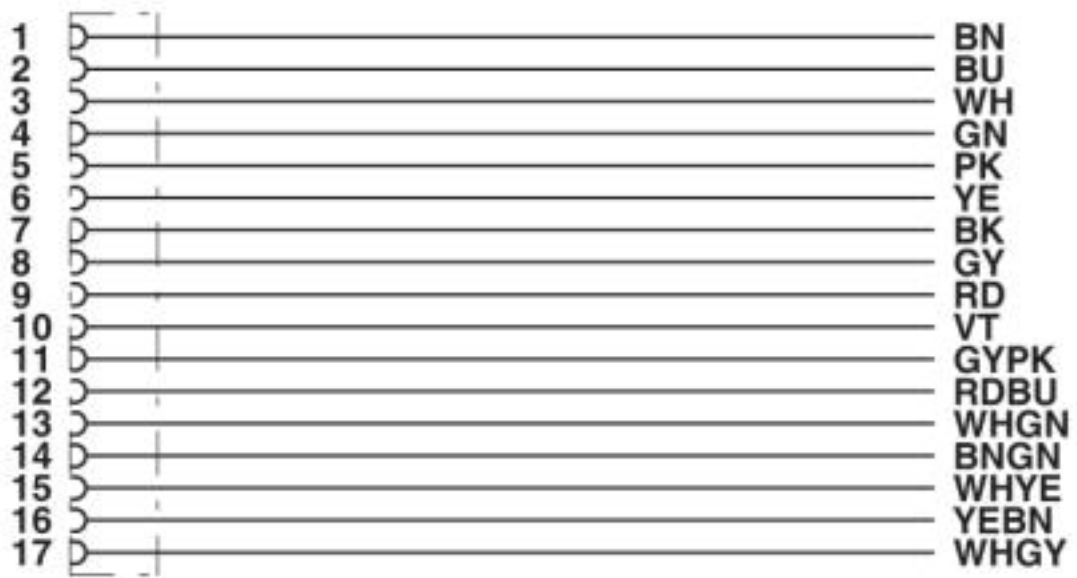


Housing cutout for Pg9 fastening thread, mounting panel with feed-through hole (alternatively with surface as protection against rotation)



# Flush-type connector - SACC-DSI-FS-17CON-PG9/0,5 SCO - 1430462

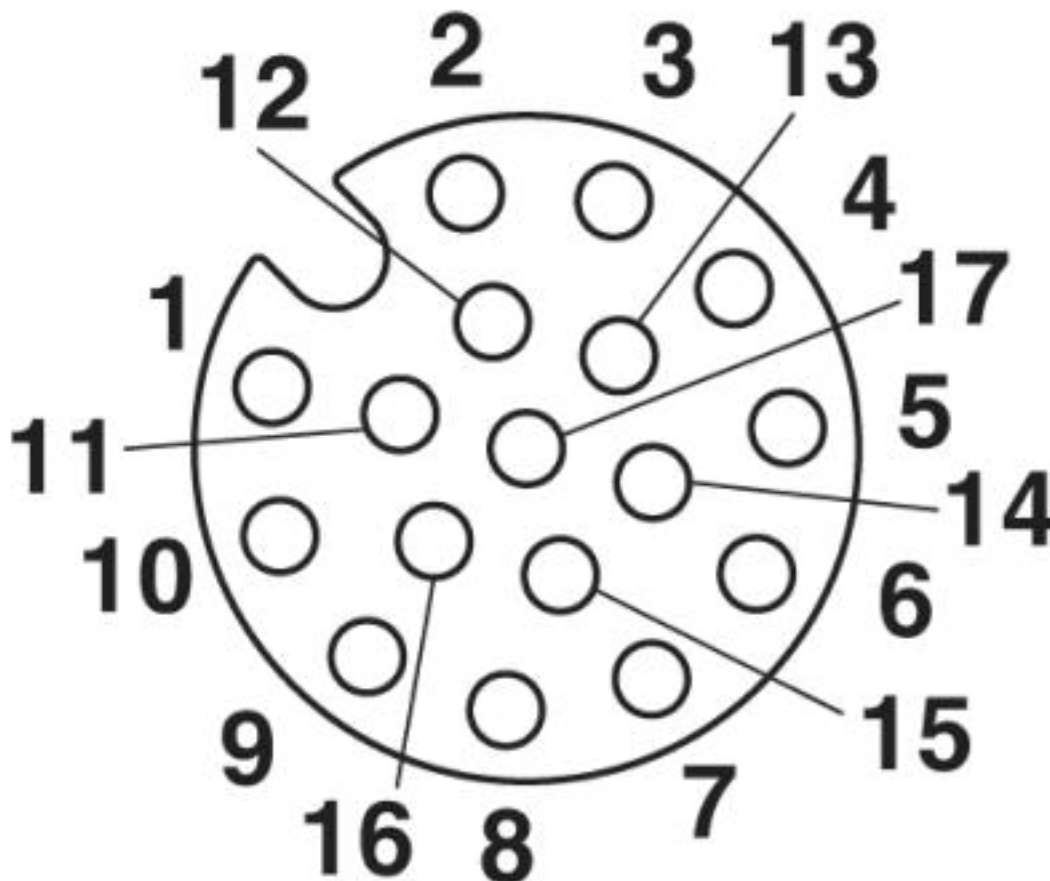
Circuit diagram



Contact assignment of the M12 socket

# Flush-type connector - SACC-DSI-FS-17CON-PG9/0,5 SCO - 1430462

Schematic diagram



Pin assignment M12, 17-pos., socket side view

## Classifications

eCl@ss

|               |          |
|---------------|----------|
| eCl@ss 10.0.1 | 27440102 |
| eCl@ss 4.0    | 27140800 |
| eCl@ss 4.1    | 27140800 |
| eCl@ss 5.0    | 27143400 |
| eCl@ss 5.1    | 27143400 |
| eCl@ss 6.0    | 27279200 |
| eCl@ss 7.0    | 27440103 |
| eCl@ss 8.0    | 27440103 |
| eCl@ss 9.0    | 27440102 |

ETIM

|          |          |
|----------|----------|
| ETIM 3.0 | EC002061 |
| ETIM 4.0 | EC002061 |

# Flush-type connector - SACC-DSI-FS-17CON-PG9/0,5 SCO - 1430462

## Classifications

### ETIM

|          |          |
|----------|----------|
| ETIM 5.0 | EC002061 |
| ETIM 6.0 | EC002061 |

### UNSPSC

|               |          |
|---------------|----------|
| UNSPSC 6.01   | 31251501 |
| UNSPSC 7.0901 | 31251501 |
| UNSPSC 11     | 31251501 |
| UNSPSC 12.01  | 31251501 |
| UNSPSC 13.2   | 39121413 |
| UNSPSC 18.0   | 39121413 |
| UNSPSC 19.0   | 39121413 |
| UNSPSC 20.0   | 39121413 |
| UNSPSC 21.0   | 39121413 |

## Approvals


### Approvals


Approvals

EAC / cULus Recognized

Ex Approvals

### Approval details

|     |   |         |
|-----|---|---------|
| EAC |  | B.01687 |
|-----|---|---------|

|                            |   |   |                  |
|----------------------------|---|---|------------------|
| cULus Recognized           |  | <a href="http://database.ul.com/cgi-bin/XYV/template/LISEXT/1FRAME/index.htm">http://database.ul.com/cgi-bin/XYV/template/LISEXT/1FRAME/index.htm</a> | E221474-20140616 |
| Nominal voltage UN         | 30 V  |   |                  |
| Nominal current IN         | 1.5 A   |   |                  |
| mm <sup>2</sup> /AWG/kcmil | 26  |   |                  |

## Accessories

### Accessories

Plug for cable screw gland

## Flush-type connector - SACC-DSI-FS-17CON-PG9/0,5 SCO - 1430462

### Accessories

Screw plug - PROT-M12 - 1680539



An M12 screw plug for the unoccupied M12 sockets of the sensor/actuator cable, boxes and flush-type connectors

---

Screw plug - PROT-M12 SH - 1503302



An M12 screw plug for the unoccupied M12 sockets of the shielded sensor/actuator cable, boxes and flush-type connectors

---

Screw plug - PROT-M12 FB - 1555538



M12 high-grade steel screw plug, for unoccupied M12 sockets of the sensor/actuator cables, boxes and flush-type connectors for the food industry

---

### Seal

Flat gasket - SACC-PG9-SEAL CLM - 1556320



Pg9 flat gasket for the rear mounting of M12 flush-type connectors with Pg9 fastening threads

---

Phoenix Contact 2020 © - all rights reserved  
<http://www.phoenixcontact.com>

PHOENIX CONTACT GmbH & Co. KG  
Flachsmarktstr. 8  
32825 Blomberg  
Germany  
Tel. +49 5235 300  
Fax +49 5235 3 41200  
<http://www.phoenixcontact.com>