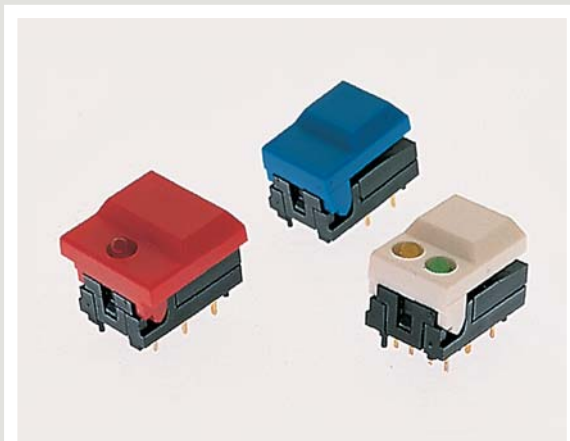




SERIES 5500 SWITCHES

PUSHBUTTON SWITCHES



FEATURES & BENEFITS

- ▶ Single or dual LED options
- ▶ Hinged pushbutton design
- ▶ High operating life

APPLICATIONS/MARKETS

- ▶ Telecommunications
- ▶ Networking
- ▶ Computers/servers
- ▶ Performance audio
- ▶ Instrumentation
- ▶ Low power on/off designs
- ▶ External hard drives and modems

SPECIFICATIONS

Contact Ratings:	300mA @ 12 VDC
Life Expectancy:	500,000 cycles typical
Contact Resistance:	50mΩ max. typical @ 2-4 VDC, 100mA
Insulation Resistance:	50 MΩ min.
Dielectric Strength:	>1,000 V rms at sea level
Actuation Force:	255 grams max.
Operating Temperature:	-25°C to +65°C

MATERIALS

Housing:	Nylon
Cap:	ABS
Contacts:	Gold over nickel over copper alloy
Terminals:	Gold over nickel over copper alloy



HOW TO ORDER

SERIES 55	CAP STYLE □ □ 01 = Small 11 = Large	MECHANICAL CONFIGURATION M M = Momentary	CAP COLOR □ □ □ BLK = Black GRY = Grey YEL = Yellow BLU = Blue RED = Red ORG = Orange GRN = Green WHT = White	1st LED COLOR (1-LED cap styles only) □ □ □ X = No LED RED = Red LED GRN = Green LED YEL = Yellow LED	2nd LED COLOR (2-LED cap styles only) □ □ □ RED = Red LED GRN = Green LED YEL = Yellow LED
----------------------------	---	--	---	--	--



Example Ordering Number

55-11-M-BLU
55-01-M-WHT-RED, GRN

Specifications subject to change without notice.

TACT SWITCHES

NAVIGATION SWITCHES

PUSHBUTTON SWITCHES

TOGGLE SWITCHES

ROCKER SWITCHES

SLIDE SWITCHES

SNAP-ACTION SWITCHES

DIP SWITCHES

KEYLOCK SWITCHES

ROTARY SWITCHES

DETECTOR SWITCHES

CAP OPTIONS

SERIES 5500 SWITCHES

PUSHBUTTON SWITCHES

TACT SWITCHES

NAVIGATION SWITCHES

PUSHBUTTON SWITCHES

TOGGLE SWITCHES

ROCKER SWITCHES

SLIDE SWITCHES

SNAP-ACTION SWITCHES

DIP SWITCHES

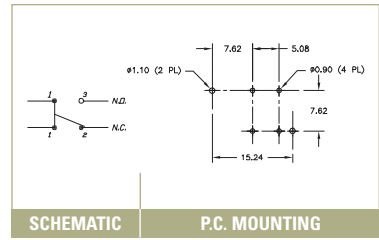
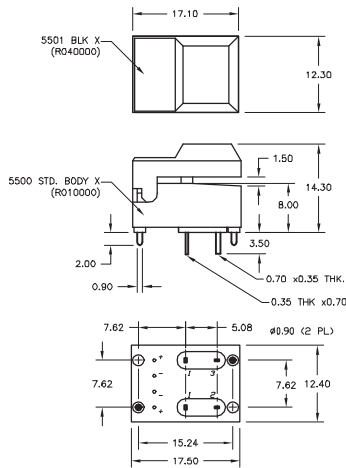
KEYLOCK SWITCHES

ROTARY SWITCHES

DETECTOR SWITCHES

CAP OPTIONS

5501

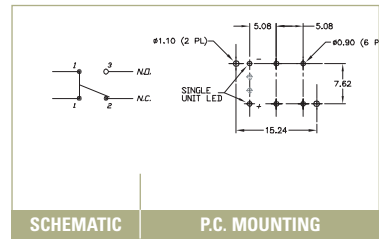
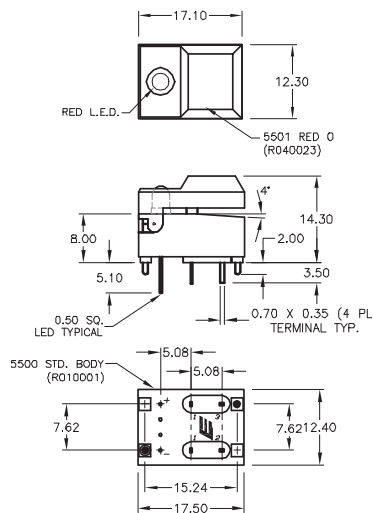


SCHEMATIC

P.C. MOUNTING

5501

1 LEDS

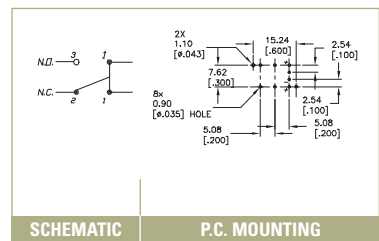
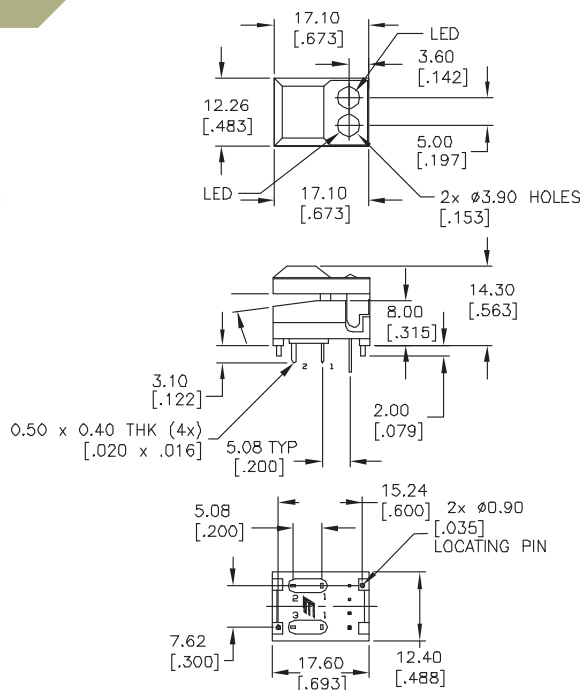


SCHEMATIC

P.C. MOUNTING

5501

2 LEDS

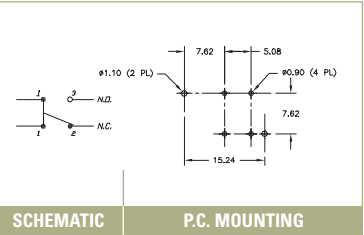
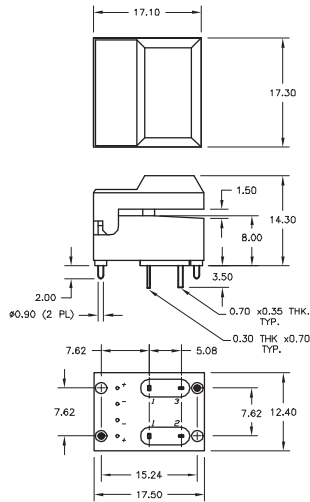


SCHEMATIC

P.C. MOUNTING



5511



TACT SWITCHES

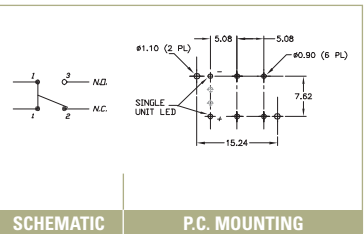
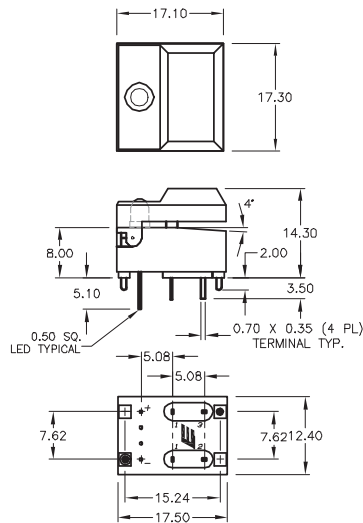
NAVIGATION SWITCHES

PUSHBUTTON SWITCHES

TOGGLE SWITCHES

5511

1 LEDS



ROCKER SWITCHES

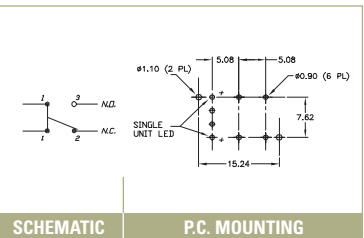
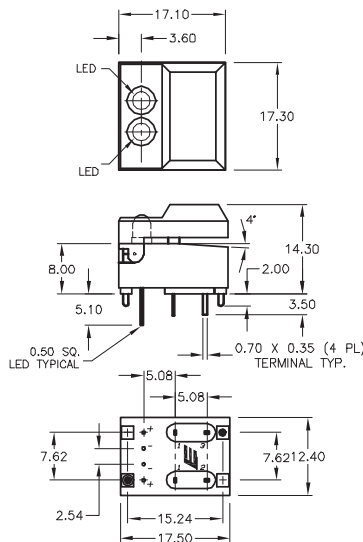
SLIDE SWITCHES

SNAP-ACTION SWITCHES

DIP SWITCHES

5511

2 LEDS



KEYLOCK SWITCHES

ROTARY SWITCHES

DETECTOR SWITCHES

CAP OPTIONS

Mouser Electronics

Authorized Distributor

Click to View Pricing, Inventory, Delivery & Lifecycle Information:

E-Switch:

[5511M1X](#) [5501M81](#) [5501M13](#) [5501M1X](#) [5501MGRYRED](#) [5501M71](#) [5501M31](#) [5501M22](#) [5501M7X](#)
[5501MBLKGRNRED](#) [5501MBLKREDGRN](#) [5511MGRYX](#) [5511MYELX](#) [5511MWHTX](#) [5511M412](#) [5501M6X](#) [5501M32](#)
[5511MBLKGRNGRN](#) [5511M31](#) [5511M22](#) [5511MBLKREDGRN](#)