

**PLEASE CHECK WWW.MOLEX.COM FOR LATEST PART INFORMATION**

**Part Number:** [0755615000](#)  
**Status:** **Active**  
**Overview:** [EXTreme PowerMass High-Current Connectors](#)  
**Description:** EXTreme PowerMass 0.13mm Pitch, 80A per module, Right-Angle Plug, Tail Length 3.07mm, without Pegs

**Documents:**

[3D Model](#) [Packaging Specification PK-46081-100-001 \(PDF\)](#)  
[Drawing \(PDF\)](#) [RoHS Certificate of Compliance \(PDF\)](#)

**Agency Certification**

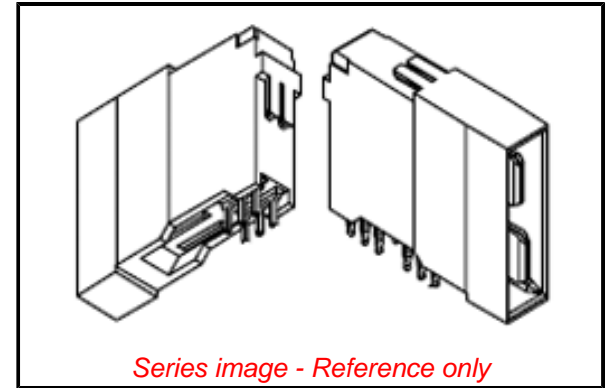
CSA LR19980  
 UL E29179

**General**

Product Family PCB Headers  
 Series [75561](#)  
 Application Board-to-Board, Power  
 Comments 80A per module, 40A per contact (2 contacts per module)  
 Overview [EXTreme PowerMass High-Current Connectors](#)  
 Product Name EXTreme PowerMass  
 UPC 800756716268

**Physical**

(p)ower-(s)ignal Configuration 2p - 0s  
 Breakaway No  
 Circuits (Loaded) 4  
 Circuits (maximum) 4  
 Durability (mating cycles max) 50  
 First Mate / Last Break No  
 Flammability 94V-0  
 Glow-Wire Capable No  
 Guide to Mating Part No  
 Keying to Mating Part None  
 Lock to Mating Part No  
 Material - Metal Copper-Nickel-Silicon  
 Material - Plating Mating Gold  
 Material - Plating Termination Tin  
 Net Weight 11.218/g  
 Number of Rows 2  
 Orientation Right Angle  
 PC Tail Length 3.07mm  
 PCB Locator No  
 PCB Retention None  
 PCB Thickness - Recommended 2.40mm  
 Packaging Type Tray  
 Pitch - Mating Interface 3.00mm  
 Plating min - Mating 0.762µm  
 Plating min - Termination 2.540µm  
 Polarized to Mating Part Yes  
 Polarized to PCB Yes  
 Shrouded Closed Ends  
 Stackable No  
 Surface Mount Compatible (SMC) Yes  
 Temperature Range - Operating -40° to +105°C  
 Termination Interface: Style Through Hole



Series image - Reference only

**EU ELV**

**Not Relevant**

**EU RoHS**

**Compliant**

**REACH SVHC**

Not Contained Per -  
 ED/61/2018 (27 June  
 2018)

**Halogen-Free**

**Status**

**Low-Halogen**

For more information, please visit [Contact US](#)

China ROHS

ELV

RoHS Phthalates

**China RoHS**

Green Image

Not Relevant

Not Relevant

**Search Parts in this Series**

[75561](#) Series

**Mates With**

[75545-5000](#) EXTreme PowerMass  
 Receptacle, [75545-5001](#) EXTreme  
 PowerMass Receptacle

**Electrical**

Current - Maximum per Contact 40.0A  
Voltage - Maximum 450V

**Material Info****Reference - Drawing Numbers**

Packaging Specification PK-46081-100-001  
Sales Drawing SD-75561-100-001

This document was generated on 10/24/2018

**PLEASE CHECK [WWW.MOLEX.COM](http://WWW.MOLEX.COM) FOR LATEST PART INFORMATION**

# Mouser Electronics

Authorized Distributor

Click to View Pricing, Inventory, Delivery & Lifecycle Information:

[Molex:](#)

[75561-5000](#)