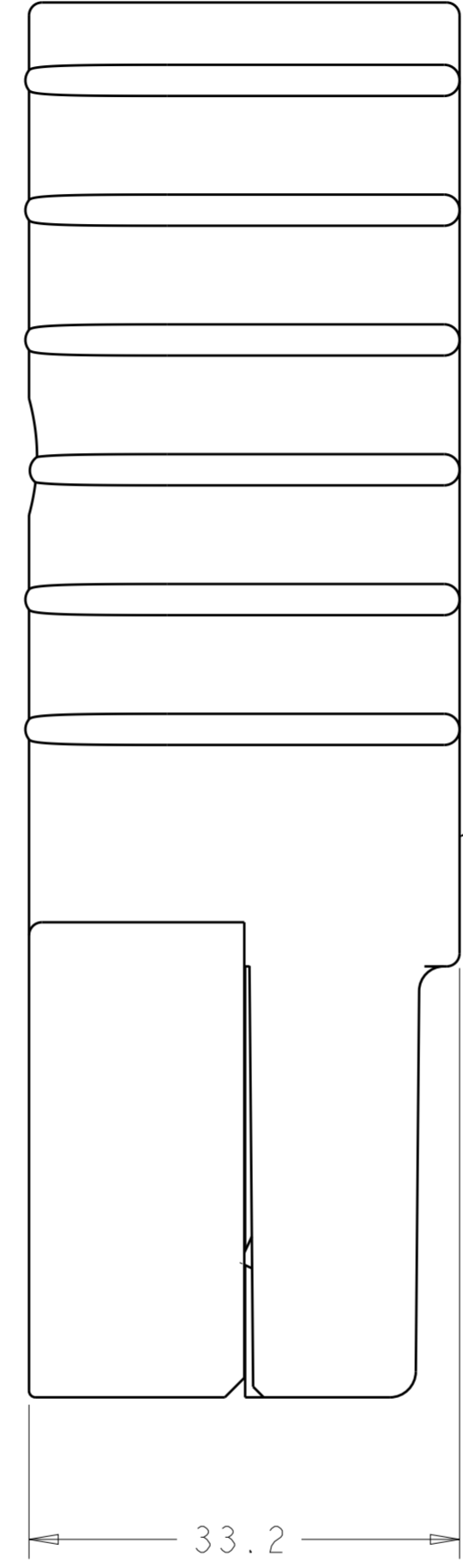
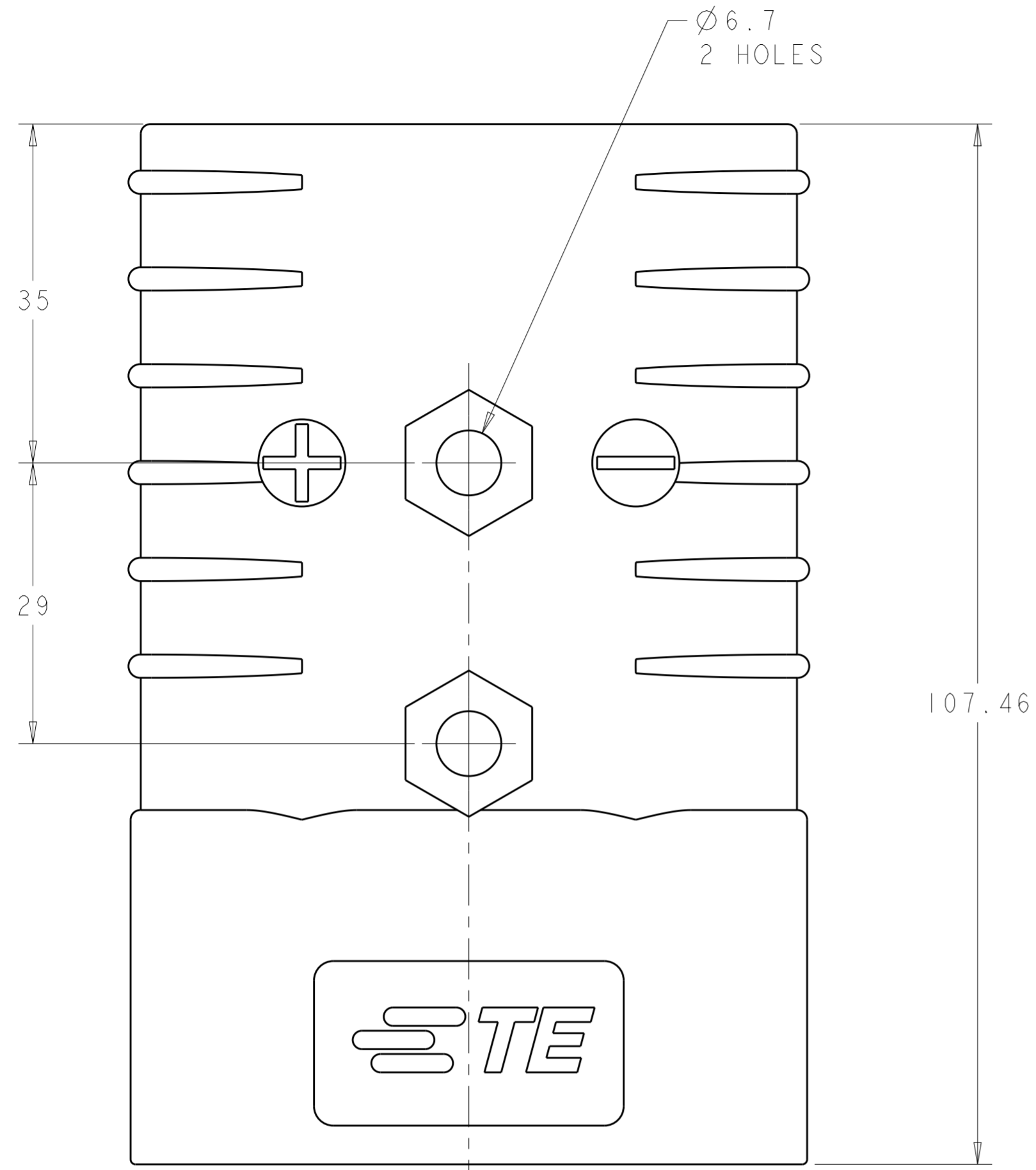
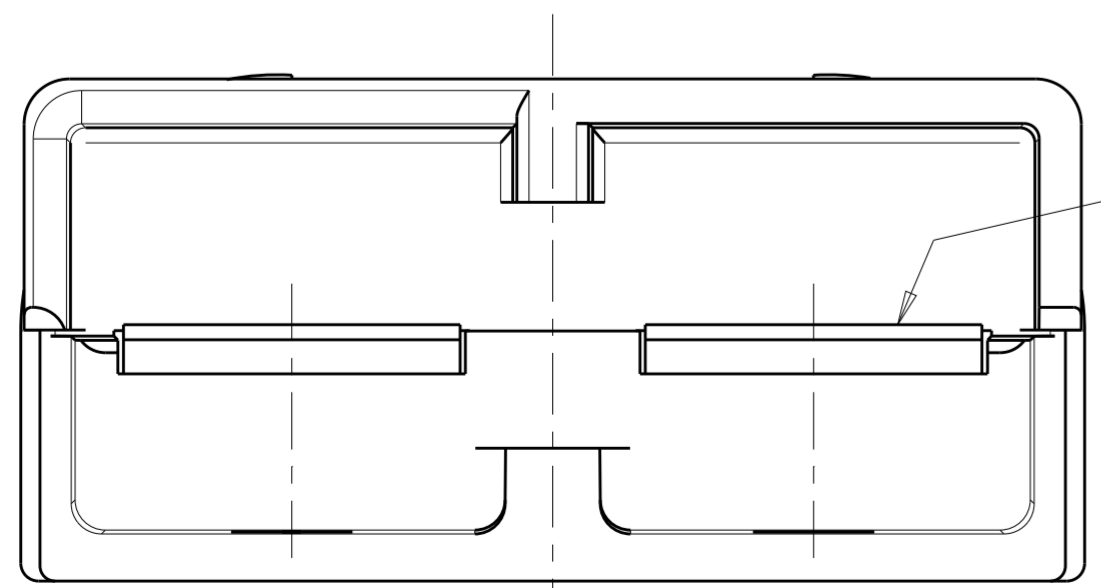


THIS DRAWING IS UNPUBLISHED. RELEASED FOR PUBLICATION 20
 © COPYRIGHT 20 BY - ALL RIGHTS RESERVED.

REVISIONS					
P	LTR	DESCRIPTION	DATE	DWN	APVD
A1		REVISED PER ECR-10-010379	24MAY2010	HMR	JR
A2		REVISED PER ECR-16-003009	29FEB2016	RS	SZ

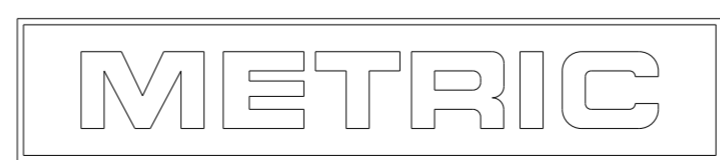


HOUSING
 MATL: FLAME RETARDANT
 POLYCARBONATE



RETENTION CLIP, 2 REQD
 MATL: STAINLESS STEEL

GREEN	1604050-6
BLUE	1604050-5
GRAY	1604050-4
RED	1604050-3
ORANGE	1604050-2
YELLOW	1604050-1
HOUSING COLOR	ASSEMBLY PART NO



THIS DRAWING IS A CONTROLLED DOCUMENT.

DIMENSIONS:	TOLERANCES UNLESS OTHERWISE SPECIFIED:	DWN	B. D. YOHN	8 JAN 2002
mm	0 PLC ± 0.13	CHK	W. BERNHART	8 APR 2002
	1 PLC ± 0.13	APVD	W. BERNHART	8 APR 2002
	2 PLC ± 0.13	PRODUCT SPEC		108-2156
	3 PLC ± 0.13	APPLICATION SPEC		114-13119
	4 PLC \pm	WEIGHT		-
	ANGLES \pm	CUSTOMER DRAWING		
	FINISH			

TE Connectivity

NAME: SUB-ASSY, HOUSING W/ SPRING, AMP POWER SERIES 350

SIZE	CAGE CODE	DRAWING NO	RESTRICTED TO
A2		G-1604050	-

SCALE: 2:1 SHEET 1 OF 1 REV A2

Mouser Electronics

Authorized Distributor

Click to View Pricing, Inventory, Delivery & Lifecycle Information:

[TE Connectivity:](#)

[1604050-1](#)