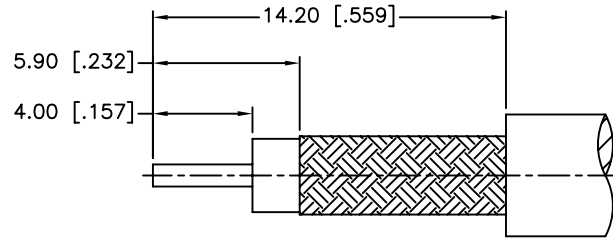
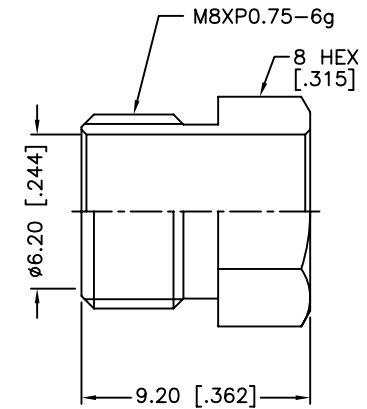
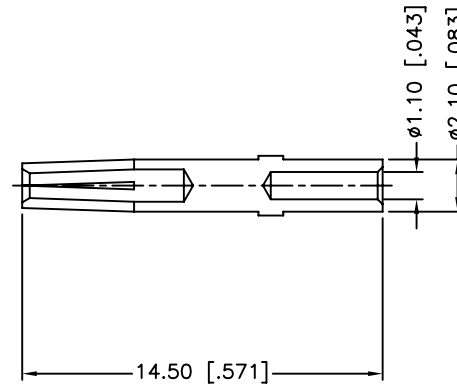
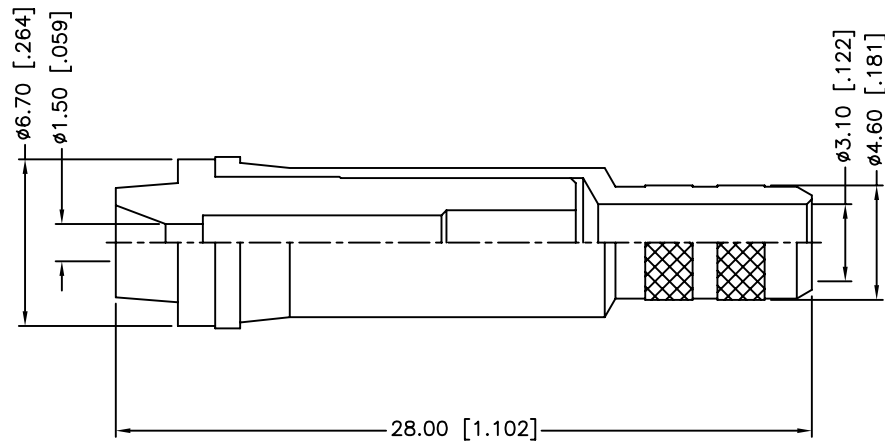
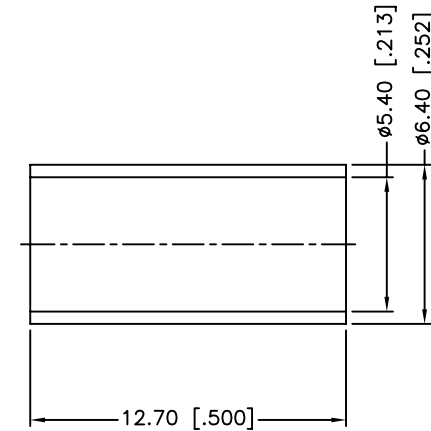


REV.	DATE	ECR NO.	DESCRIPTION
A	05/22/03	XXXXXX	UPDATE DRAWING FORMAT
B	07/22/11	XXXXXX	CHANGE THE MATERIAL OF INSULATOR TO DELRIN



RECOMMENDED  
CABLE STRIPPING DIM'S



1. CRIMPED FERRULE  
HEX CRIMP SIZE .213"
2. CRIMPED CONTACT PIN  
HEX CRIMP SIZE .068"

QTY	DESCRIPTION	MATERIAL	FINISH
1	FERRULE	BRASS	NICKEL
1	HEX NUT	BRASS	NICKEL
1	CONTACT PIN	PHOSPHOR BRONZE	GOLD
1	INSULATOR	DELRIN	NATURAL
1	BODY	BRASS	NICKEL

UNLESS OTHERWISE SPECIFIED DIMENSIONS ARE IN MILLIMETERS. DIMENSIONS IN [ ] ARE IN INCHES AND FOR CUSTOMER REFERENCE ONLY.

UNLESS OTHERWISE SPECIFIED TOLERANCES FOR MILLIMETERS ARE:  
0.5 - 8mm ± 0.20mm  
8 - 30mm ± 0.40mm  
30 - 120mm ± 0.50mm

UNLESS OTHERWISE SPECIFIED TOLERANCES FOR INCHES ARE:  
.020 - .315 = ± 0.007"  
.315 - 1.180 = ± 0.015"  
1.180 - 4.724 = ± 0.020"

DO NOT SCALE DRAWING

APPROVALS	DATE
DRAWN M.ZHANG	07/22/11
CHECKED	
ISSUED	
SHEET 1 OF 1	
CAD FILE C:/CONNEX/192102.DWG	

**Amphenol Connex**

PART DESCRIPTION  
**FME ROTATING NIPPLE  
(FOR RG-58C/U CABLE)**

PART NO.  
**192102**

DWG. NO. 192102.DWG	REV. B	SIZE A	SCALE NA
---------------------	--------	--------	----------

# Mouser Electronics

Authorized Distributor

Click to View Pricing, Inventory, Delivery & Lifecycle Information:

[Amphenol:](#)

[192102](#)