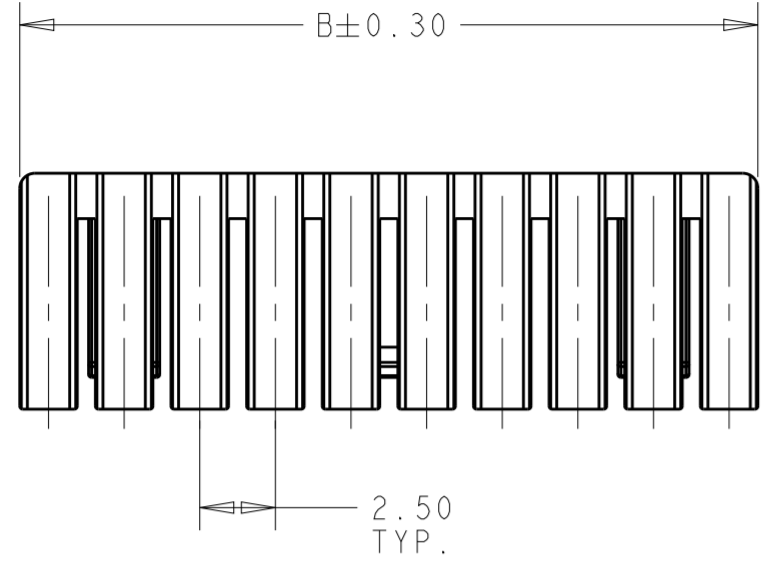


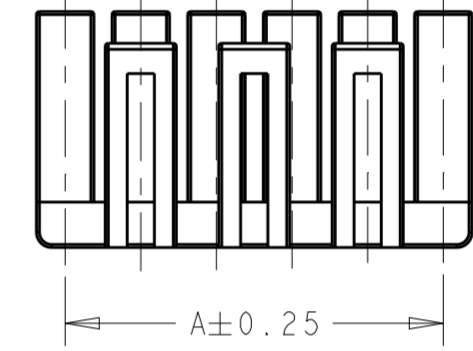
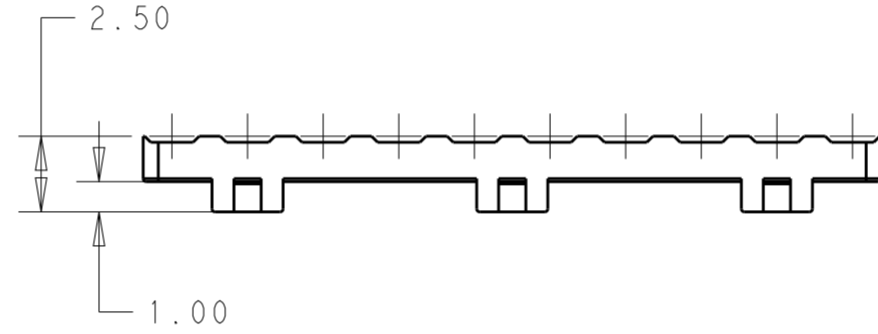
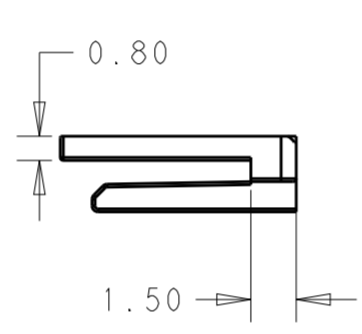
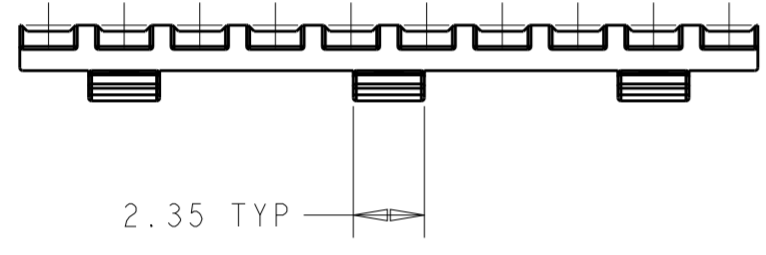
THIS DRAWING IS UNPUBLISHED. RELEASED FOR PUBLICATION
 © COPYRIGHT copyright.d8te- ALL RIGHTS RESERVED.

| REVISIONS | | | | |
|-----------|-----|---------------------------|-----------|-------|
| P | LTR | DESCRIPTION | DATE | APVD |
| | A3 | REVISED PER ECR-18-010321 | 17SEP2018 | WH DZ |
| | | | | |
| | | | | |

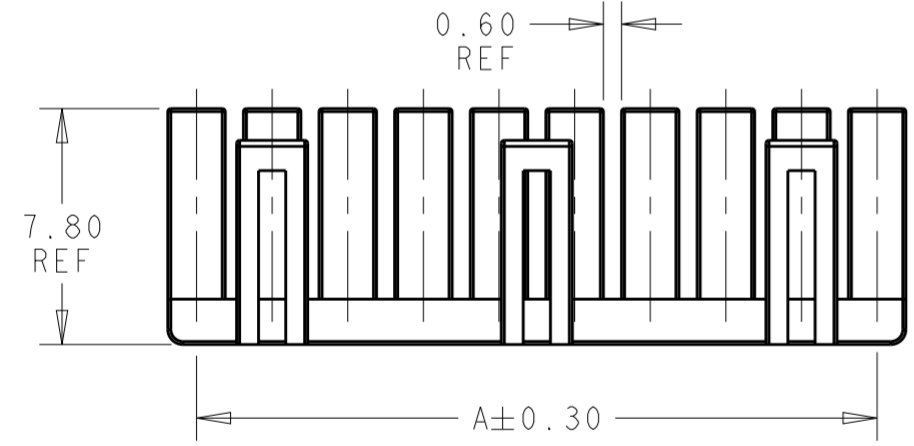


1 MATERIAL:
 HOUSING - HIGH PERFORMANCE RESIN, UL94-V0, GLASS FILLED
 COLOR - BLACK

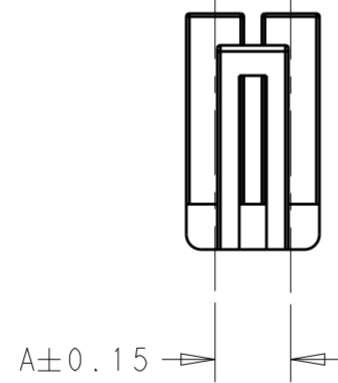
2 MATES WITH TPA HOUSING 1969442-()



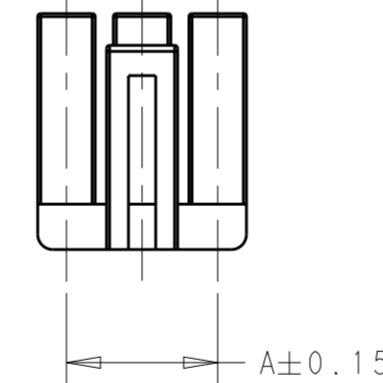
6 POSITION
 1969443-6



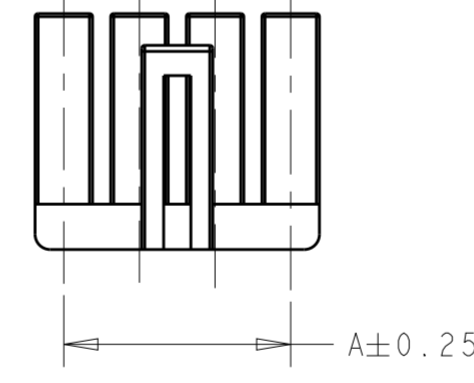
7 THRU 20 POSITION
 1969443-7 THRU -20



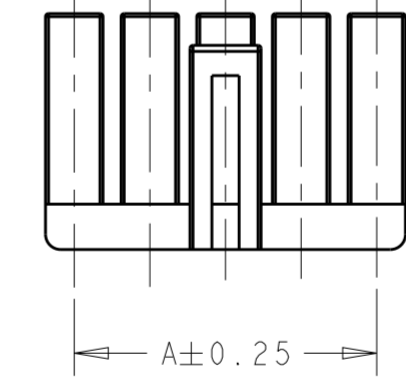
2 POSITION
 1969443-2



3 POSITION
 1969443-3

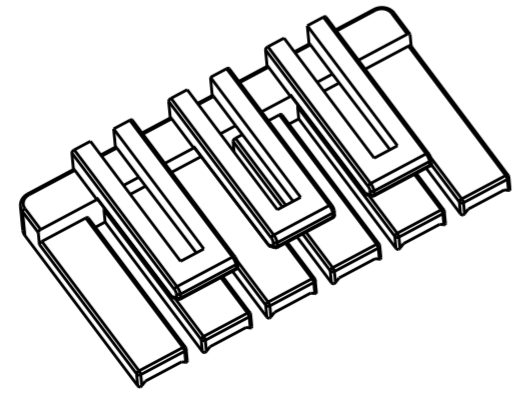


4 POSITION
 1969443-4



5 POSITION
 1969443-5

| | | | |
|-----|-------|-------|-------------|
| 20 | 49.4 | 47.5 | 2-1969443-0 |
| 19 | 46.9 | 45.0 | 1-1969443-9 |
| 18 | 44.4 | 42.5 | 1-1969443-8 |
| 17 | 41.9 | 40.0 | 1-1969443-7 |
| 16 | 39.4 | 37.5 | 1-1969443-6 |
| 15 | 36.9 | 35.0 | 1-1969443-5 |
| 14 | 34.4 | 32.5 | 1-1969443-4 |
| 13 | 31.9 | 30.0 | 1-1969443-3 |
| 12 | 29.4 | 27.5 | 1-1969443-2 |
| 11 | 26.9 | 25.0 | 1-1969443-1 |
| 10 | 24.4 | 22.5 | 1-1969443-0 |
| 9 | 21.9 | 20.0 | 1969443-9 |
| 8 | 19.4 | 17.5 | 1969443-8 |
| 7 | 16.9 | 15.0 | 1969443-7 |
| 6 | 14.4 | 12.5 | 1969443-6 |
| 5 | 11.9 | 10.0 | 1969443-5 |
| 4 | 9.4 | 7.5 | 1969443-4 |
| 3 | 6.9 | 5.0 | 1969443-3 |
| 2 | 4.4 | 2.5 | 1969443-2 |
| POS | DIM B | DIM A | PART NUMBER |



THIS DRAWING IS A CONTROLLED DOCUMENT.

| | | | |
|-------------|--|-----------------------------------|--|
| DIMENSIONS: | TOLERANCES UNLESS OTHERWISE SPECIFIED: | DWN 01 JUN 2016 NAGALAKSHMI K | TE Connectivity ECONOMY POWER 2.5 TPA RETAINER |
| mm | 0 PLC ± | CHK 01 JUN 2016 CHIARELLI DAVIDE | |
| | 1 PLC ± | APVD 01 JUN 2016 CHIARELLI DAVIDE | |
| | 2 PLC ±0.13 | PRODUCT SPEC 108-2418 | |
| | 3 PLC ± | APPLICATION SPEC 114-13315 | SIZE CAGE CODE DRAWING NO RESTRICTED TO |
| | 4 PLC ± | WEIGHT - | A200779 C-1969443 |
| MATERIAL | FINISH - | CUSTOMER DRAWING | SCALE N/A SHEET 1 OF 1 REV A3 |

Mouser Electronics

Authorized Distributor

Click to View Pricing, Inventory, Delivery & Lifecycle Information:

[TE Connectivity:](#)

[1969443-9](#)