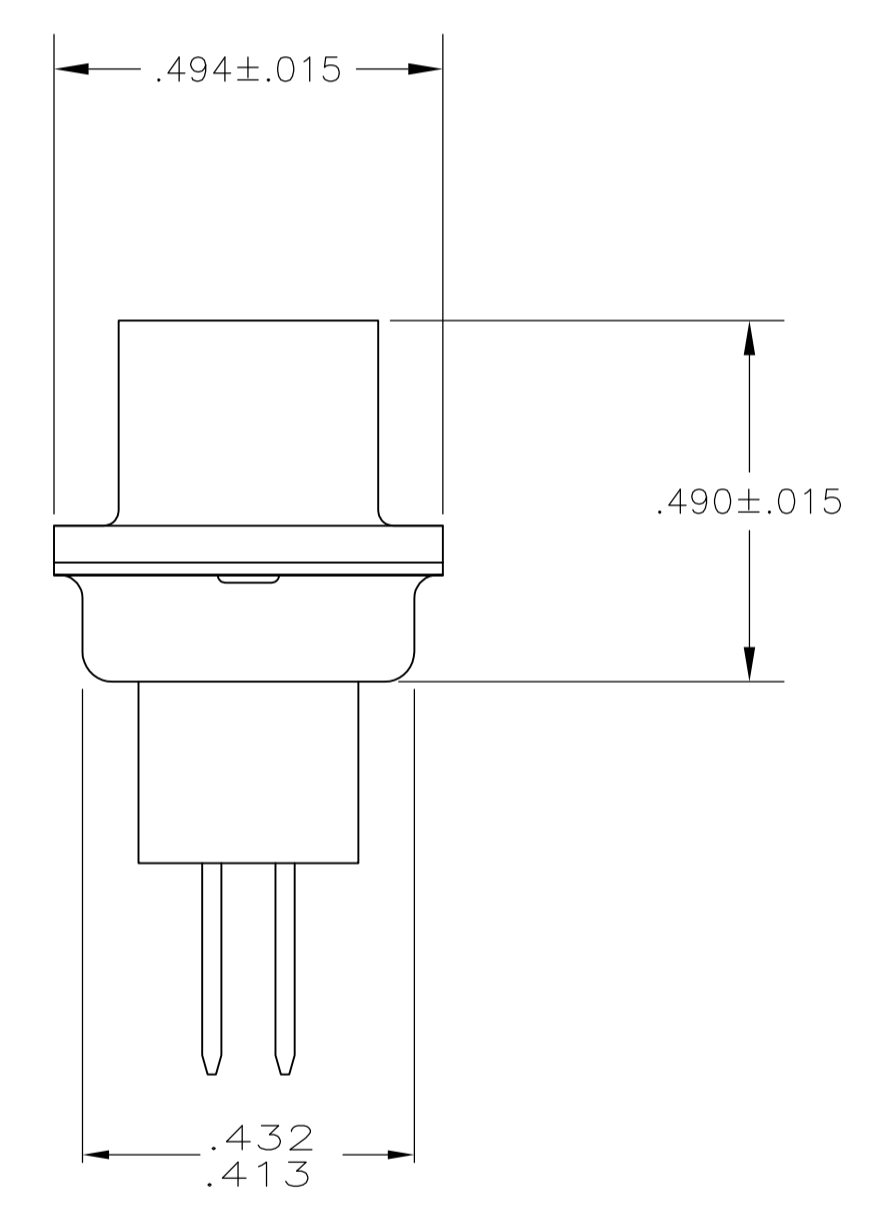
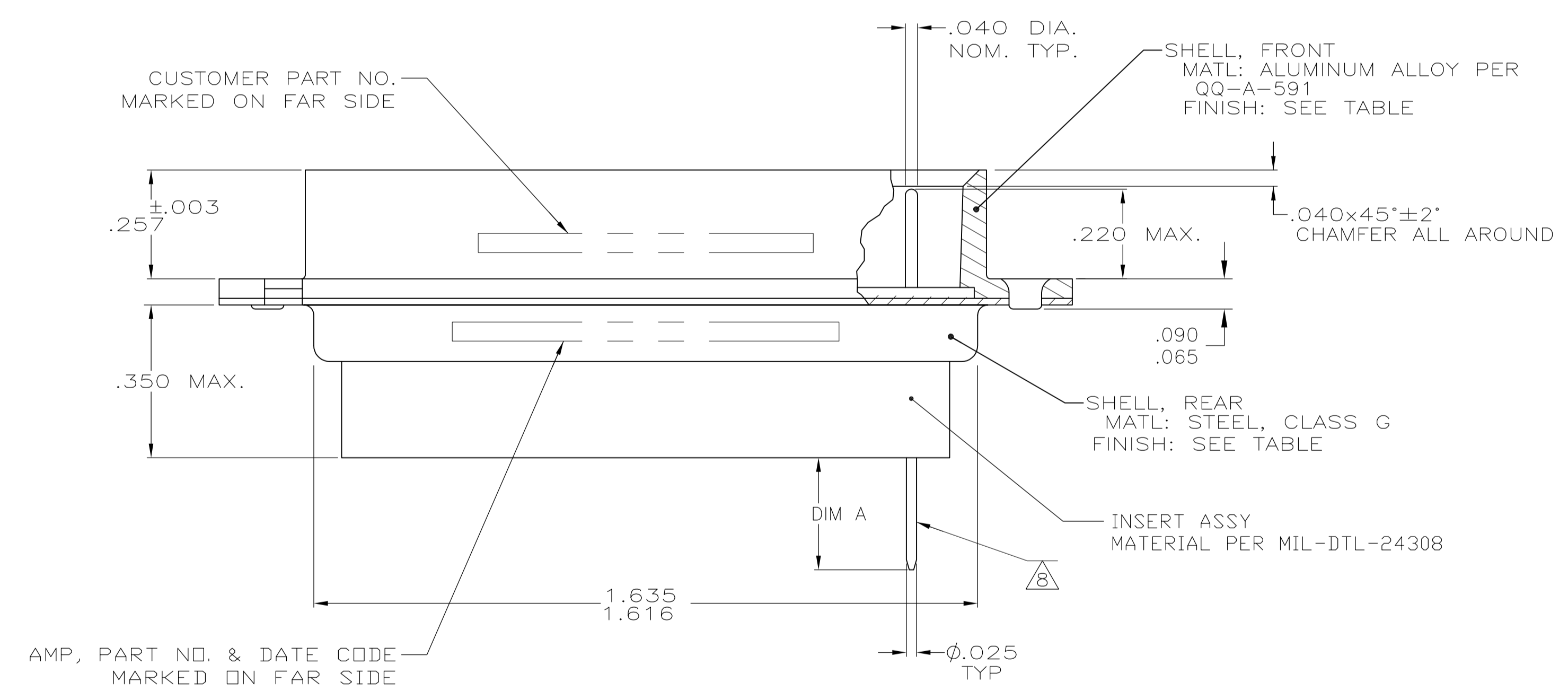
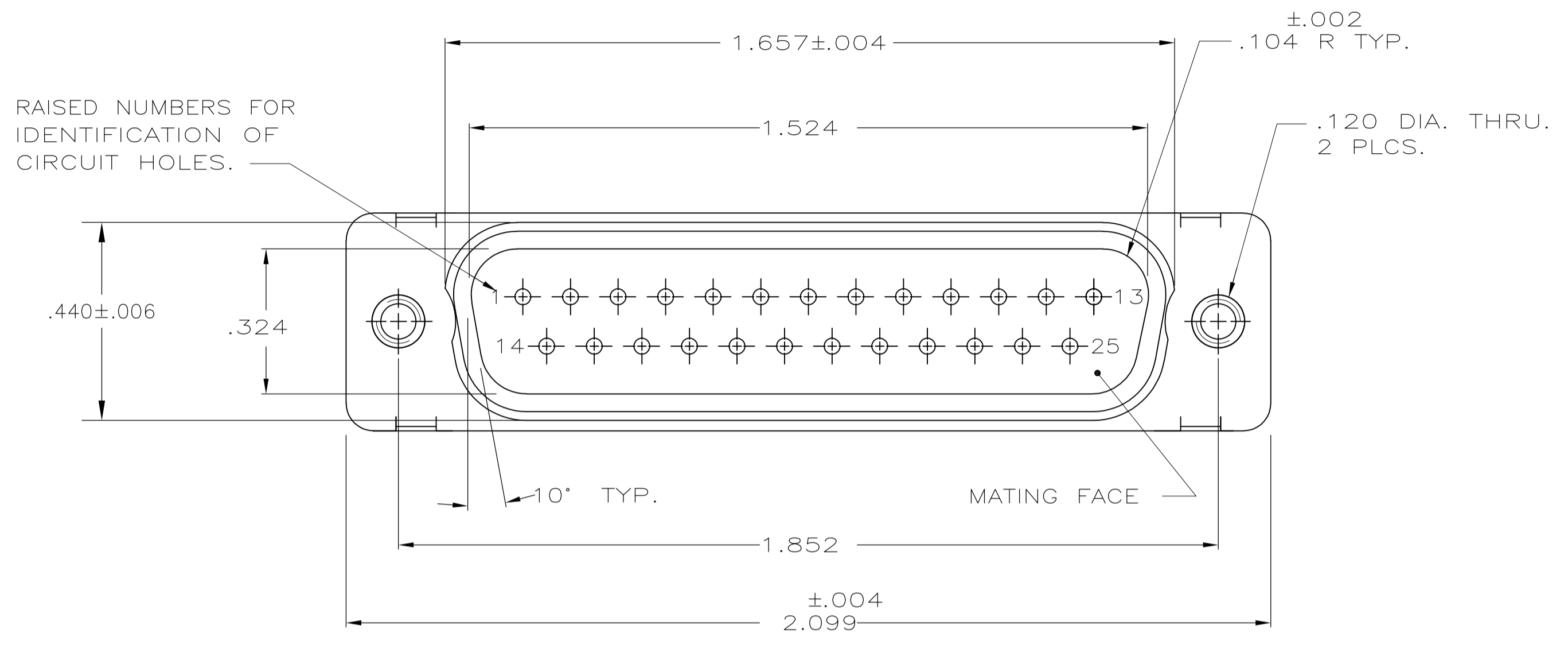


LOC		DIST		REVISIONS			
P	LTR	DESCRIPTION	DATE	DMN	APVD		
S		REV PER ECO 15-0059-7	5-19-15	CT	DM		



1. THIS PLUG WILL MATE WITH ANY 25 POSN., SIZE 3 RECEPTACLE IN AMPLIMITE SERIES.
  2. MAXIMUM WIRE INSULATION TO BE USED WITH THIS PLUG IS .068 DIA.
  3. SST RETENTION CLIPS ARE INCLUDED IN INSERTS.
  4. THIS PLUG IS DESIGNED TO CONFORM TO THE LATEST ISSUE OF MIL-C-24308.
  5. 445007-1 & 5--1 SUPPLIED WITHOUT CONTACTS.
  6. 445007-1 WILL ACCEPT SIZE 20 DM PIN CONTACT M39029/64-369 OR ANY AMP SIZE 20 DF PIN CONTACT.
- ▲ UL/CSA DESIGNATION STAMPED IN THIS AREA  
 ▲ POSTED CONTACTS LOADED IN HOUSING OF 445007-2 .  
 ▲ 25 EACH OF CONTACT #205089-1 INCLUDED WITH ASSEMBLY; PACKAGED SEPARATELY.  
 ▲ FINISH: CADMIUM PER QQ-P-416; YELLOW CHROMATE.  
 ▲ FINISH: ZINC PLATED PER ASTM-B-633 .000200 MIN THK WITH SUPPLEMENTARY CHROMATE (Cr3+).

NO.	DESCRIPTION	PART NO.
11	AS SHOWN EXCEPT ▲	5-445007-1
10	AS SHOWN EXCEPT ▲	445007-3
10	.365/.300 AS SHOWN	445007-2
10	AS SHOWN EXCEPT ▲	445007-1

THIS DRAWING IS A CONTROLLED DOCUMENT.

DIMENSIONS: INCHES	TOLERANCES UNLESS OTHERWISE SPECIFIED:	DIN S. GLATFELTER 10-17-85	APVD F.C. BALLEW 10-17-85	NAME	TE Connectivity
0 PLC ± -	1 PLC ± -	2 PLC ± -	3 PLC ± .005	4 PLC ± -	ANGLES ± -
MATERIAL SEE CALLOUT	FINISH SEE CALLOUT	WEIGHT -	SIZE A1	CAGE CODE 00779	DRAWING NO. 445007
CUSTOMER DRAWING		SCALE 4:1	SHEET 1 OF 1	REV S	

# Mouser Electronics

Authorized Distributor

Click to View Pricing, Inventory, Delivery & Lifecycle Information:

[TE Connectivity:](#)

[445007-1](#)