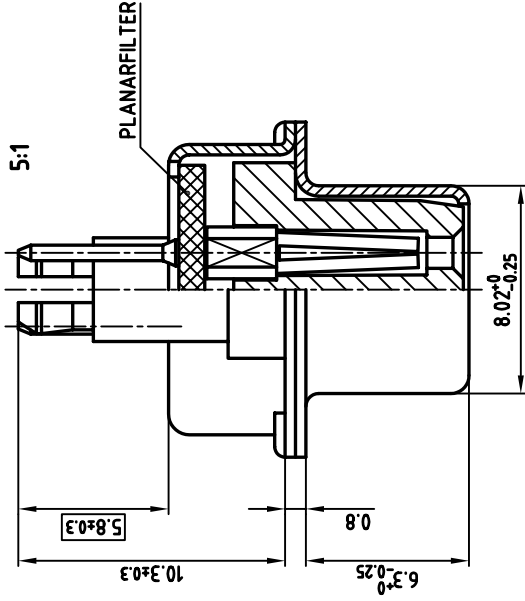


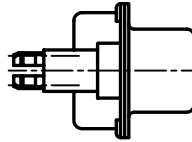
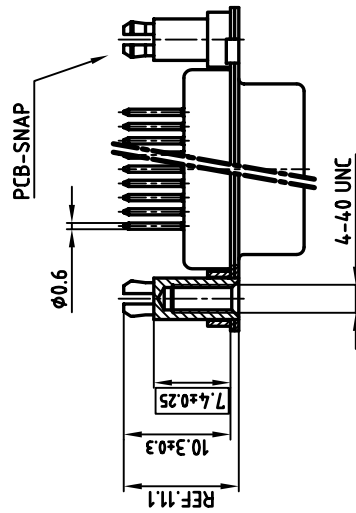
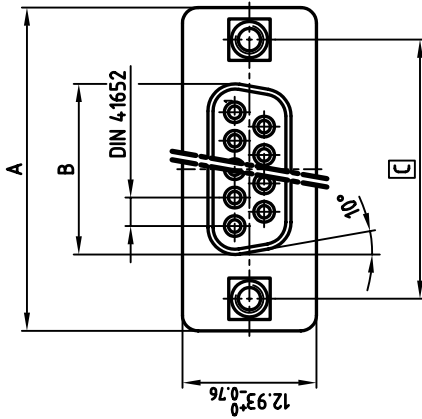
used for: D-SUB FILTER

POS.	A ^{-0.76}	B ^{-0.25}	C	PART NO.
9	31.19	16.46	25.00 ^{+0.12} / _{-0.13}	242A15030X
15	39.52	24.79	33.30 ^{+0.15} / _{-0.1}	242A15040X
25	53.42	38.50	47.04 ^{+0.13}	242A15050X
37	69.70	54.96	63.50 ^{+0.13}	242A15060X



NOTES:

1. METALSHELLS: STEEL; TIN PLATED
2. INSULATOR: PBTP GF UL 94 V-0
3. CONTACTS: COPPER ALLOY
4. PLATING: HARD GOLD OVER NICKEL
5. PCB-SNAP: COPPER ALLOY; TIN PLATED
PCB HOLE $\phi 3.1 \pm 0.1$; PCB THICKNESS $t = 1.6\text{mm}$
6. CAPACITANCE: 1300pF $\pm 20\%$
7. DIELECTRIC WITHSTANDING VOLTAGE: 424VDC
8. MAXIMUM TORQUE VALUE FOR THREAD: 6" LBS
9. = CRITICAL DIMENSION: SPC



THIS DRAWING MAY NOT BE COPIED OR REPRODUCED IN ANY WAY, AND MAY NOT BE PASSED ON TO A THIRD PARTY WITHOUT WRITTEN PERMISSION.
OWNERSHIP AND COPYRIGHT OF CONEC GMBH
DO NOT ALTER CAD DRAWING BY HAND

rev.	description	date	name

1996	date	name	tolerance
drawn	08.05.	Barcinski	2:1 (5:1)
appr.	08.05.	Mickenbecker	SEE NOTES
norm	DIN 41652		
d-old			

scale: 2:1 (5:1)
material: SEE NOTES
title: D-FILTER FEMALE P-TYP
9-37pos. PIN 5.8mm
WITH THREADED SPACER CLIP
[CAD/ REL.13] DIN-A
3 sh:1/1
dwg no: 24K11Y8A
product no: SEE TABLE



Mouser Electronics

Authorized Distributor

Click to View Pricing, Inventory, Delivery & Lifecycle Information:

[CONEC:](#)

[242A15030X](#)