

REV. Status
REVISION - 12/02/03 YS
REVISION A ADDED RoHS & UPDATED LABELS 03/01/06 MP
REVISION B CHG TUV FILE # WAS 810/89 (EN60950 & VDE 0551). CLARIFIED PIN OUTS 04/23/07 YS
REVISION C UPDATE LOGO'S TO STD IED. Dielectric Withstand WAS Hi-Pot 3500. Volt Reg WAS 23%. 4-30-08 EB
REVISION D UPDATED SAFETY 09/29/11 MP
REVISION E SAFETY NOTES ADDED 03/20/13 MP

THREE FLANGE DUAL PRIMARY 30VA PC BOARD POWER TRANSFORMER

- A. Electrical Specifications (@ 25 °C)
1. Maximum Power: 30VA
 2. Primary Voltage and Frequency: 115/230VAC 50/60Hz
 3. Secondary RMS Rating: See Table A
 4. Voltage Regulation: 19% TYP @ full load to no load
 5. Temperature Rise(normal op. cond.): 55°C TYP (70°C MAX).
 6. A 10% Input Voltage change will proportionally affect transformer sec voltage. The max. allowed wdg temp under abnormal condition is 155°C
 7. Insulation Resistance:
100MΩ MIN @ 500VDC, Pri to Sec, Pri to Core, Sec to Core
 8. Dielectric Withstand: 3750Vrms 1 minute @ Pri to Sec
1500Vrms 1 minute @ Pri to Core, Sec to Core



MODEL NUMBER
PL30-XX-130B

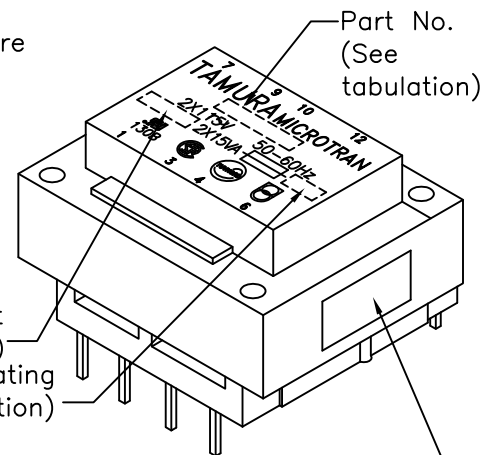
- B. Marking: includes input and output ratings (per sheet 2),
C. Safety:

Conforms to construction requirement of:
UL5085-1, -2; CSA No. 66.1, 66.2
(from Datecode 1143 and onwards).
UL506, UL1411
UL1446(CLASS 130(B))
EN61558-1, -2-6

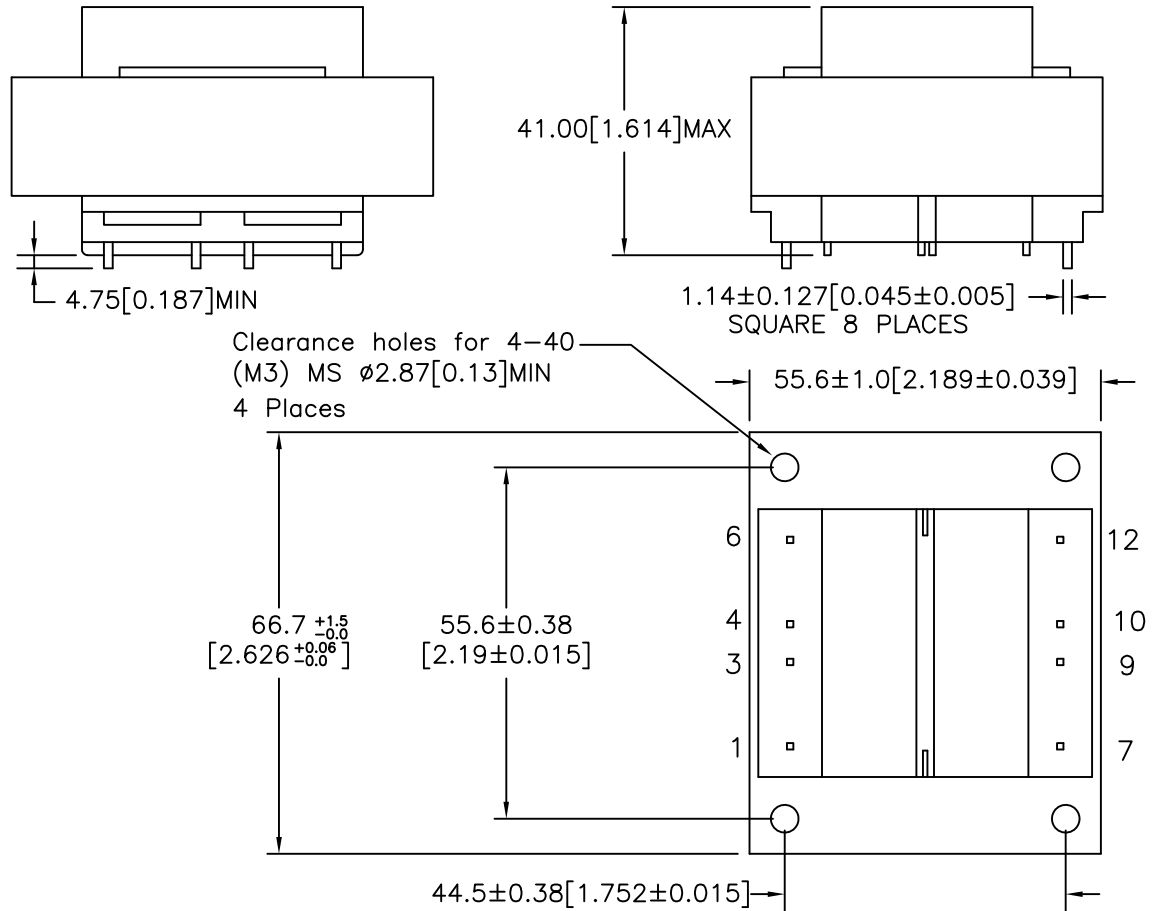


Safety certificate file reference:
UL E138028, E79781, E92957
CSA 175561
TUV (P.S.) 4478013415698

Non short-circuit proof safety isolating transformer.
Intended for mounting on PCBs and for building into end use-equipment.
Not intended for series/parallel connection with other transformers.



- D. Mechanical Specifications:



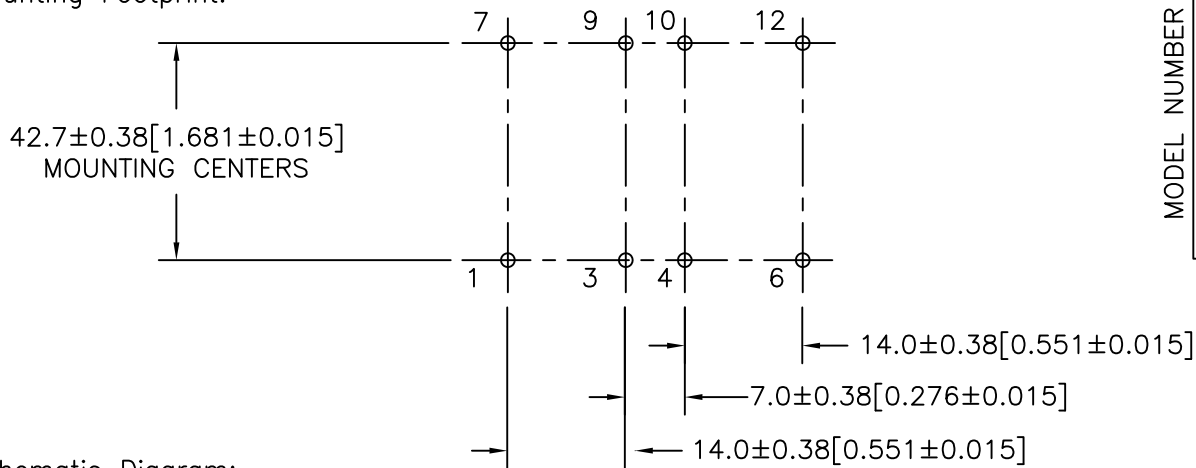
TOLERANCES (mm)
≤ 4 ± 0.2
4 ≤ 20 ± 0.3
20 ≤ 50 ± 0.4

PREPARED BY:
M. PITCHAI

NOTE: BOARD WASHING IS NOT RECOMMENDED FOR THESE PARTS.

ENGINEER: M PITCHAI	DRAWING CONTROL NO. P-A1-12261 ACAD/MXFMR/A1122611.DWG	REV E	MODEL DESCRIPTION POWER TRANSFORMER	MODEL SPECIFICATION PL30-XX-130B
SAFETY ENGINEER B OCONNELL	TAMURA CORPORATION OF AMERICA 1040 SOUTH ANDREASEN DRIVE, #100 ESCONDIDO, CA. 92029 (951) 699-1270 FAX 7607400536			DIM: mm[In] SCL: 1/1 SH: 1 OF 2
APPROVED: P BRUNE	PROPRIETARY NOTICE: THIS DRAWING PRINT OR DOCUMENT AND SUBJECT MATTER DISCLOSED HEREIN ARE PROPRIETARY ITEMS TO WHICH TAMURA RETAINS THE EXCLUSIVE RIGHT OF DISSEMINATION, REPRODUCTION, MANUFACTURE AND SALE. THIS DRAWING, PRINT OR DOCUMENT IS SUBMITTED IN CONFIDENCE FOR CONSIDERATION BY THE RECIPIENT ALONE UNLESS PERMISSION FOR FURTHER DISCLOSURE IS EXPRESSLY GRANTED IN WRITING.			

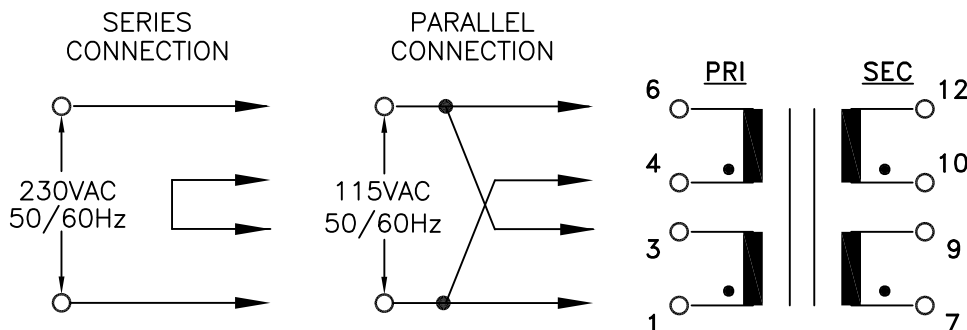
E. Mounting Footprint:



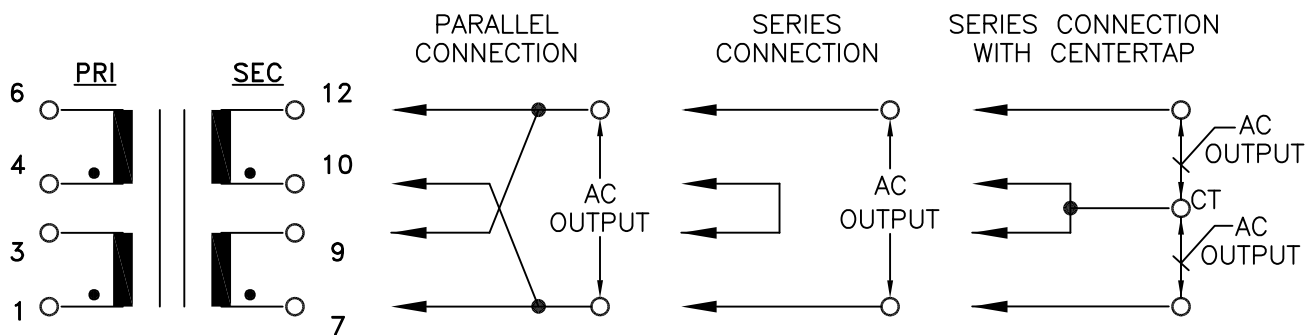
MODEL NUMBER
PL30-XX-130B

F. Schematic Diagram:

PRIMARY INPUT CONNECTIONS



SECONDARY OUTPUT CONNECTIONS



G. Table A:

T= Time lag

PART NO.	PARALLEL		SERIES		SERIES WITH CT		OUTPUT	SECONDARY FUSE REQ'D EA. WINDING
	AC VOLTS	RMS AMPS	AC VOLTS	RMS AMPS	AC VOLTS	RMS AMPS		
PL30-10-130B	5.0	6.00	10.0	3.00	5.0-CT-5.0	3.00	2X5.0V	T 3.15A
PL30-12-130B	6.3	4.80	12.6	2.40	6.3-CT-6.3	2.40	2X6.3V	T 2.50A
PL30-16-130B	8.0	3.80	16.0	1.90	8.0-CT-8.0	1.90	2X8.0V	T 2.00A
PL30-20-130B	10.0	3.00	20.0	1.50	10.0-CT-10.0	1.50	2X10.0V	T 1.60A
PL30-24-130B	12.0	2.50	24.0	1.25	12.0-CT-12.0	1.25	2X12.0V	T 1.25A
PL30-28-130B	14.0	2.12	28.0	1.06	14.0-CT-14.0	1.06	2X14.0V	T 1.25A
PL30-36-130B	18.0	1.64	36.0	0.82	18.0-CT-18.0	0.82	2X18.0V	T 1.00A

PREPARED BY:

M. PITCHAI

ENGINEER:
M PITCHAI
SAFETY ENGINEER
B OCONNELL

DRAWING CONTROL NO.
P-A1-12261
ACAD/MXFMR/A1122612.DWG

REV
E

MODEL DESCRIPTION
POWER TRANSFORMER

TAMURA CORPORATION OF AMERICA
1040 SOUTH ANDREASEN DRIVE, #100 ESCONDIDO, CA. 92029
(951) 699-1270 FAX 7607400536

MODEL SPECIFICATION

PL30-XX-130B

DIM: mm[In] SCL: 1/1 SH: 2 OF 2

APPROVED:

P BRUNE

PROPRIETARY NOTICE: THIS DRAWING PRINT OR DOCUMENT AND SUBJECT MATTER DISCLOSED HEREIN ARE PROPRIETARY ITEMS TO WHICH TAMURA RETAINS THE EXCLUSIVE RIGHT OF DISSEMINATION, REPRODUCTION, MANUFACTURE AND SALE. THIS DRAWING, PRINT OR DOCUMENT IS SUBMITTED IN CONFIDENCE FOR CONSIDERATION BY THE RECIPIENT ALONE UNLESS PERMISSION FOR FURTHER DISCLOSURE IS EXPRESSLY GRANTED IN WRITING.

Mouser Electronics

Authorized Distributor

Click to View Pricing, Inventory, Delivery & Lifecycle Information:

[Tamura:](#)

[PL30-16-130B](#) [PL30-36-130B](#) [PL30-10-130B](#) [PL30-20-130B](#) [PL30-28-130B](#) [PL30-24-130B](#) [PL30-12-130B](#) [PL30-32-130B](#)