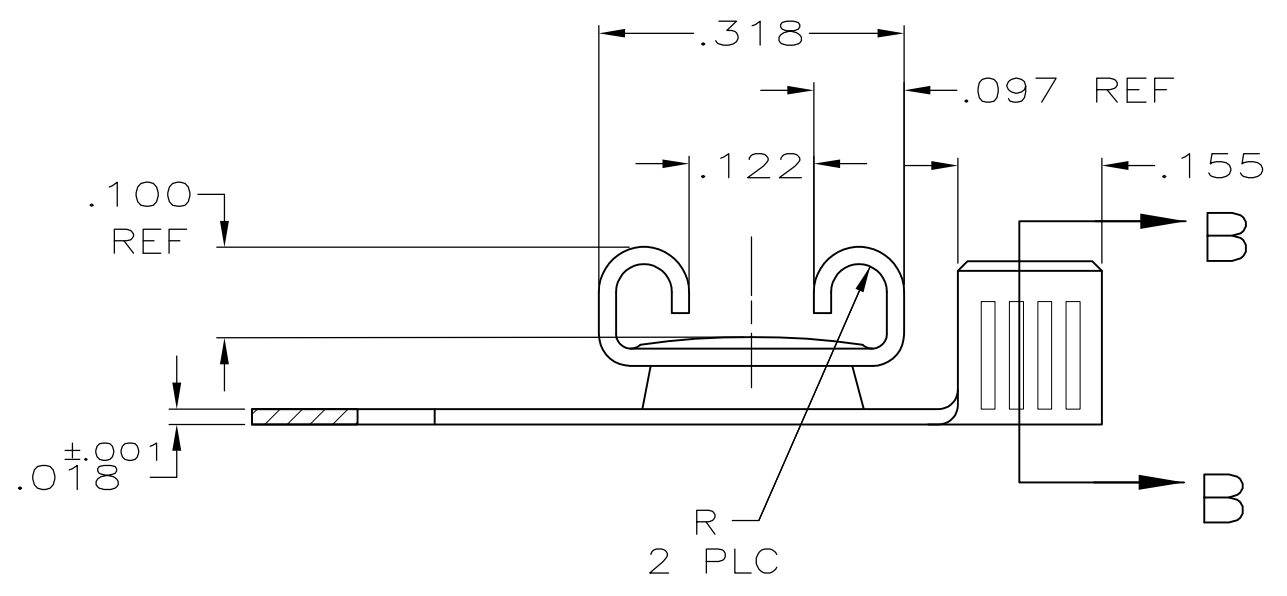
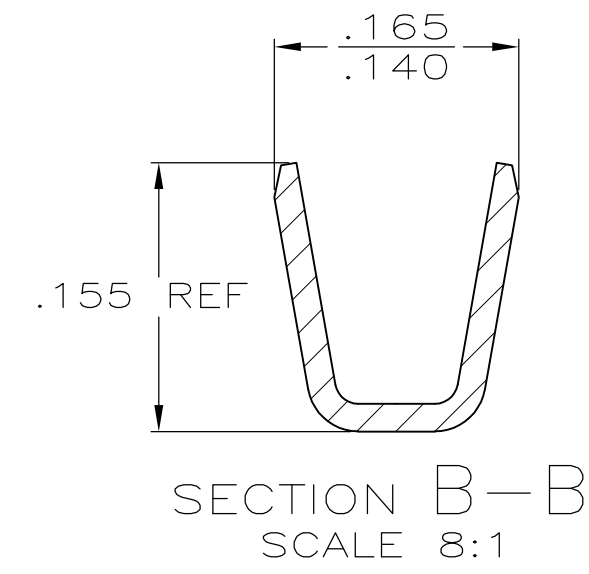
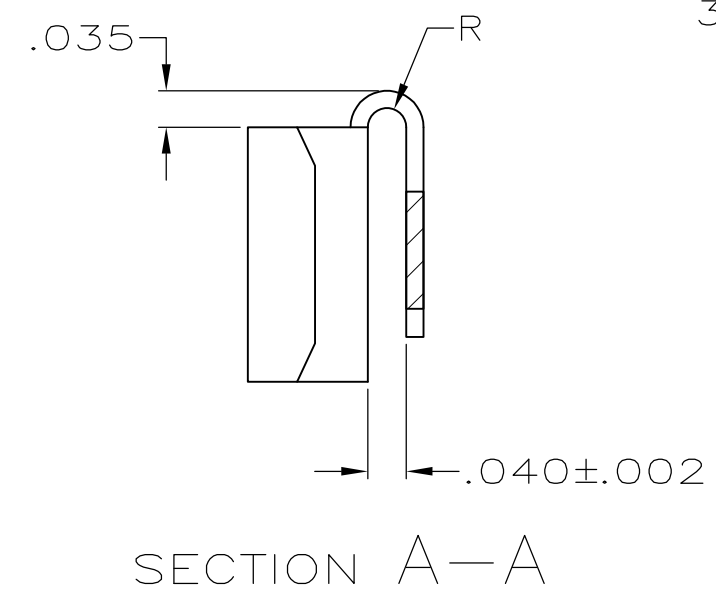
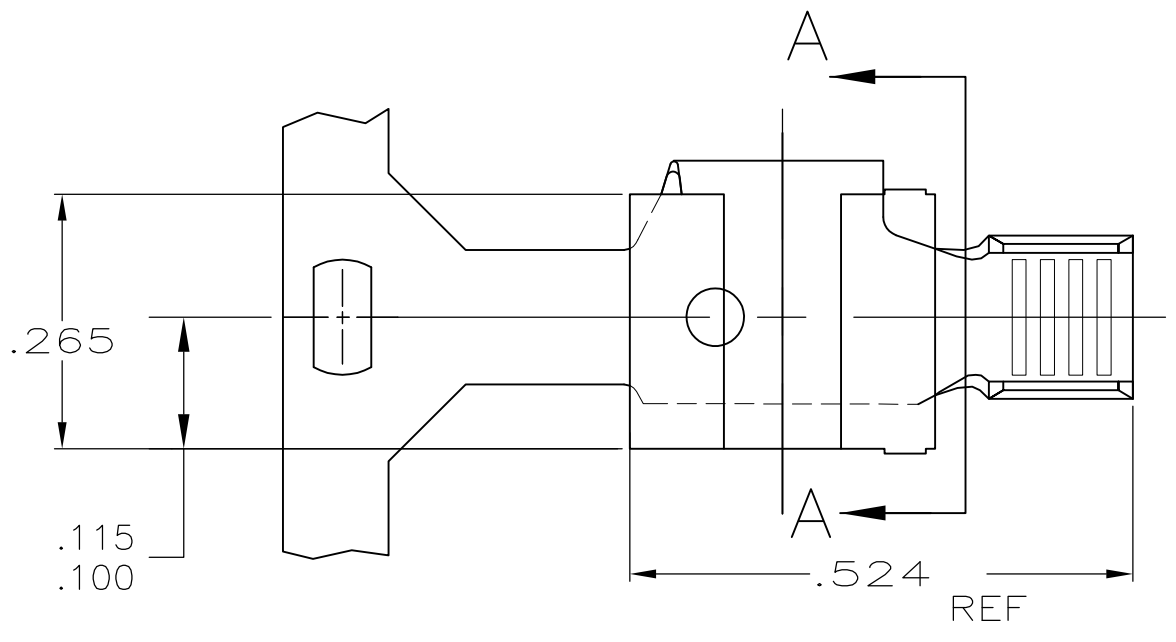


THIS DRAWING IS UNPUBLISHED. RELEASED FOR PUBLICATION
 © COPYRIGHT - By - ALL RIGHTS RESERVED.

LOC	DIST	REVISIONS			
P	LTR	DESCRIPTION	DATE	DWN	APVD
AF	50	R	REVISED PER ECR-12-013518	23NOV2012	KH PD

- 1 CONTINUOUS STRIP ON REELS.
- 2 WIRE SIZE IS [#18-#14] AWG.
- 3 MATING TAB THK TO BE $.032 \pm .001$.



TIN	BRASS	63647-3
TIN	H03 PHOS BRONZE	63647-2
-	BRASS	63647-1
FINISH	MATERIAL	PART NO

STRIP LENGTH ±.015	TYPE	WIDTH	±.002 HEIGHT	WIRE
.188	F	.120	.062	18
			.067	16
			.075	14

WIRE BARREL CRIMP

THIS DRAWING IS A CONTROLLED DOCUMENT.

DIMENSIONS: INCHES	TOLERANCES UNLESS OTHERWISE SPECIFIED:
	0 PLC ± -
	1 PLC ± -
	2 PLC ± -
	3 PLC ± .010
	4 PLC ANGLES ± - ± -
MATERIAL SEE TABLE	FINISH SEE TABLE

DWN JR RUTH 4/3/92	TE Connectivity RECEPTACLE, FASTON, FLAG, REVERSIBLE, .250 SERIES	NAME	RESTRICTED TO	
CHK MS FEHER 4/3/92		SIZE		
APVD R KUZO 4/3/92		CAGE CODE	DRAWING NO	
PRODUCT SPEC		A300779	C-63647	
APPLICATION SPEC	114-2032	SCALE 5:1	SHEET 1 OF 1	
WEIGHT -	CUSTOMER DRAWING	REV R		

Mouser Electronics

Authorized Distributor

Click to View Pricing, Inventory, Delivery & Lifecycle Information:

[TE Connectivity:](#)

[63647-1](#) [63647-3](#)