
Smart Card Bridge to USB and UART Interfaces

General Description

The SEC1110 and SEC1210 provide a single-chip solution for a Smart Card bridge to USB and UART interfaces. These bridges are controlled by an enhanced 8051 micro controller and all chip peripherals are accessed and controlled through the SFR or XDATA register space. TrustSpan™ Technology enables digital systems to securely communicate, process, move and store information on system boards, across networks and through the cloud.

Feature Highlights

- Smart Card
 - The SEC1110 provides one Smart Card interface and the SEC1210 provides two
 - Fully compliant with ISO/IEC 7816, EMV 4.2/4.3, ETSI TS 102 221 and PC/SC standards
 - Versatile ETU rate generation, supporting current and proposed rates (up to 826 Kbps)
 - Full support of both T=0 and T=1 protocols
 - Full-packet FIFO (261 bytes), for transmit and receive
 - Half-duplex operation (no software intervention required between transmit and receive phases of exchange)
 - Loose real-time response required of software (approximately 180 ms)
 - Dynamically programmable FIFO threshold with byte granularity
 - Time-out FIFO flush interrupt, independent of threshold
 - Programmable Smart Card clock frequency
 - UART-like register file structure
 - Supports Class A, Class B, Class C, or Class AB Smart Cards (1.8 V, 3.0 V and 5.0 V cards)
 - Automatic character repetition for T=0 protocol parity error recovery
 - Automatic card deactivation on card removal and on other system events, including persistent parity errors
 - Internal procedure byte filtering for T=0 protocol

- Protocol timers (Guard, Timeout, and CWT) for EMV-defined timing parameters
 - Detection of an unresponsive card
 - Activation/deactivation sequences
 - Cold/warm resets
 - Monitoring for all EMV timing constraints
 - 16-bit general purpose down counter for software timing use
- Fully compliant ESD protection on card pins
- USB
 - 12 Mbps USB operation compliant to the USB 2.0 Specification
 - Integrated USB 1.5 K pull-up resistor and Dp,Dm series termination resistors
 - Integrated USB devices controller with:
 - 8/16/32/64 byte control buffer
 - Five 8/16/32/64 byte programmable (bulk/interrupt) endpoint buffers
- 8051 Processor
 - Reduced instruction cycle time (approximately 9 times 80C51)
 - 9.6 MHz max clock speed
 - Enhanced peripherals; three 16-bit timers, watchdog timer, interrupt controller, JTAG
 - OTP (One Time Programmable)
ROM : 16 KB RAM : 1.5 KB
- Boot ROM : 16 KB UART (SEC1210 only)
 - Standard PC baud rates supported
 - 3 M baud high-speed rate (not PC standard)
- SPI (SEC1210 only)
 - Master capability with 12 MHz max performance
- General
 - 5.0 V tolerance on user accessible IO pins
 - Self-clocking internal oscillator, no external crystal required
 - 3.6 V - 5.5 V supply input
 - Internal 4.8 V comparator disables Class A card support if the input voltage is too low
 - Available in commercial (0°C to +70°C) and industrial (-40°C to +85°C) temperature ranges

Applications

- USB Smart Card reader
- UART-based Smart Card reader
- Dual Smart Card reader

TO OUR VALUED CUSTOMERS

It is our intention to provide our valued customers with the best documentation possible to ensure successful use of your Microchip products. To this end, we will continue to improve our publications to better suit your needs. Our publications will be refined and enhanced as new volumes and updates are introduced.

If you have any questions or comments regarding this publication, please contact the Marketing Communications Department via E-mail at docerrors@microchip.com. We welcome your feedback.

Most Current Data Sheet

To obtain the most up-to-date version of this data sheet, please register at our Worldwide Web site at:

<http://www.microchip.com>

You can determine the version of a data sheet by examining its literature number found on the bottom outside corner of any page. The last character of the literature number is the version number, (e.g., DS30000000A is version A of document DS30000000).

Errata

An errata sheet, describing minor operational differences from the data sheet and recommended workarounds, may exist for current devices. As device/documentation issues become known to us, we will publish an errata sheet. The errata will specify the revision of silicon and revision of document to which it applies.

To determine if an errata sheet exists for a particular device, please check with one of the following:

- Microchip's Worldwide Web site; <http://www.microchip.com>
- Your local Microchip sales office (see last page)

When contacting a sales office, please specify which device, revision of silicon and data sheet (include -literature number) you are using.

Customer Notification System

Register on our web site at www.microchip.com to receive the most current information on all of our products.

Table of Contents

| | |
|---|-----|
| 1.0 Introduction | 4 |
| 2.0 Block Diagrams | 7 |
| 3.0 Pin Table | 9 |
| 4.0 Pin Configurations | 11 |
| 5.0 Pin Descriptions | 13 |
| 6.0 Pin Reset States | 16 |
| 7.0 8051 Embedded Controller | 19 |
| 8.0 EC External Interrupts | 24 |
| 9.0 8051 Special Function Registers | 27 |
| 10.0 Smart Card Interface | 46 |
| 11.0 USB Controller Description | 92 |
| 12.0 GPIO and LED Interface | 117 |
| 13.0 Two Pin Serial Port (UART) | 132 |
| 14.0 Serial Peripheral Interconnect (SPI1) - Master | 145 |
| 15.0 Clock and Reset | 150 |
| 16.0 OTP ROM Test Interface | 176 |
| 17.0 TEST Modes, JTAG, and XNOR | 187 |
| 18.0 DC Parameters | 188 |
| 19.0 8051 Timers | 196 |
| 20.0 Timing Diagrams | 205 |
| 21.0 Package Outlines | 207 |
| Appendix A: Acronyms, Definitions and Conventions | 209 |
| Appendix B: References | 212 |
| Appendix C: Revision History | 213 |
| The Microchip Web Site | 214 |
| Customer Change Notification Service | 214 |
| Customer Support | 214 |
| Product Identification System | 215 |

SEC1110/SEC1210

1.0 INTRODUCTION

The SEC1110 and SEC1210 provide a single-chip solution for a Smart Card bridge to USB and UART interfaces. These bridges are controlled by an enhanced 8051 micro controller and all chip peripherals are accessed and controlled through the SFR or XDATA register space.

1.1 Features

- Smart Card
 - Fully compliant with standards: ISO/IEC 7816, EMV 4.2/4.3, ETSI TS 102 221 and PC/SC
 - Versatile ETU rate generation, supporting current and proposed rates (to 826 Kbps and beyond)
 - Full support of both T=0 and T=1 protocols
 - Full-packet FIFO (261 bytes), for transmit and receive
 - Half-duplex operation, with no software intervention required between Transmit and Receive phases of an exchange
 - Very loose real-time response required of software: approximately 180 ms worst case
 - Dynamically programmable FIFO threshold, with byte granularity
 - Time-out FIFO flush interrupt, independent of threshold
 - Programmable Smart Card clock frequency
 - UART-like register file structure
 - Supports Class A, Class B, Class C, or Class AB Smart Cards (all 1.8 V, 3.0 V and 5.0 V cards)
 - Automatic character repetition for T=0 protocol parity error recovery
 - Automatic card deactivation on card removal and on other system events, including persistent parity errors
 - Internal procedure byte filtering for T=0 protocol
 - Protocol timers (guard, time-out and CWT) for EMV-defined timing parameters
 - Detection of an unresponsive card
 - Activation/deactivation sequences
 - Cold/warm resets
 - Monitoring for all EMV timing constraints
 - 16-bit general purpose down counter for software timing use
 - Fully compliant ESD protection on card pins per JESD22-A114D (March 2006) and JESD22-A115A "Machine Model" from AN1181
 - Fully EMV compliant, internal signal current limits
 - 3.3 V internal operation with 5.0 V tolerant buffers where required
 - Self-contained management of Smart Card power:
 - SC1_VCC and SC2_VCC, supply output
 - Regulator for 1.8 V, 3.0 V, and 5.0 V from supply input
 - Current limiter with over-current sense interrupt (short circuit detect)
 - Hardware-ensured, compliant deactivation sequence on card removal
 - Synchronous card support
- USB
 - 12 Mbps USB operation compliant with the *USB 2.0 Specification*
 - Integrated USB 1.5 K pull-up resistor
 - Integrated Series resistors on USB_DP, USB_DM
 - Integrated USB devices controller with:
 - 8/16/32/64 byte control endpoint 0 buffer
 - Five 8/16/32/64 byte programmable (bulk/interrupt) endpoint buffers
- 8051
 - Reduced instruction cycle time (approximately 9 times 80C51)
 - 9.6 MHz max clock speed
 - Enhanced peripherals: two 16-bit timers, watch dog timer, interrupt controller, JTAG
 - 16 KB One Time Programmable (OTP) ROM
 - 1.5 KB RAM
 - 4 KB (SEC1100/SEC1200)/ 16KB (SEC1110/SEC1210) ROM

- UART
 - Standard PC (9600, 19200, 38400 and 115200) baud rates supported
 - 3 M baud high-speed rate (non-PC standard)
- SPI
 - Master capability with 12 MHz max performance
- General
 - 5.0 V tolerance on user accessible IO pins
 - Self-clocking internal oscillator, no external crystal required
 - 3.6 V-5.5 V supply input
 - Internal 4.8 V comparator disables Class A card support if the input voltage is too low

1.2 Smart Card Subsystem

The SEC1110 and SEC1210 are fully compliant with the prevailing Smart Card standards: ISO7816, EMV, and PC/SC. It meets and exceeds all existing requirements for communication bit rate (ETU duration) and includes support for proposed bit rates up to 826 Kbps. Signal levels and current limits are also fully compliant.

The Smart Card power is regulated and switched internally, supporting all 5.0 V, 3.0 V, and 1.8 V Smart Cards (classes A, B, and C, respectively). Over-current protection is provided, and a detected over-current condition is available as an interrupt. The required standard activation and deactivation sequences are provided with software interaction. However, deactivation is handled in hardware as the card is being removed. This scenario ensures the required sequence regardless of software participation. If the system clock is inactive at the time, the card movement is detected asynchronously, and the Wake-On Event feature is used to re-start the system clock so that the de-activation sequence can continue.

Interface signals to the Smart Card are designed to meet both standard drive levels and current limitations internally, requiring no external series resistors. ESD protection on these signals meets the full standard requirements.

The device is a superset of the familiar 16450 UART architecture, with extensions in the form of a larger FIFO, specialized state machines for T=0 protocol parsing, automatic half-duplex turnaround at the completion of a transmitted message, and a specially-designed set of timers to enforce standards compliance in timing (as required of a terminal by the ISO7816 and EMV standards).

With the full-packet-depth FIFO on-chip, software is almost totally excluded from real-time requirements. It loads an outgoing message into the FIFO, triggers the transfer, and reads the returned data at any time after it becomes available. The reset sequence (cold or warm) is equally hands-off: software sets up the sequence and activates the reset, and is alerted when the ATR message has been received (via the FIFO Threshold Interrupt). The threshold is dynamically programmable with byte granularity, so that threshold interrupts can be received at various stages in the processing of a message of initially unknown length (such as ATR).

For detecting data time-outs, and for other mandatory timing tasks having to do with communication with a Smart Card, a set of three protocol timers is provided:

- Time-out timer, for monitoring the standard WWT, BWT and WTX time-out intervals
- CWT timer, for monitoring the T=1 CWT time-out interval
- Guard timer, for ensuring the BGT and EGT transmission intervals, with special usage during a Reset sequence.

A separate general purpose timer is provided for software driver use.

Synchronous card support using GPIOs controlled via registers in the Smart Card device.

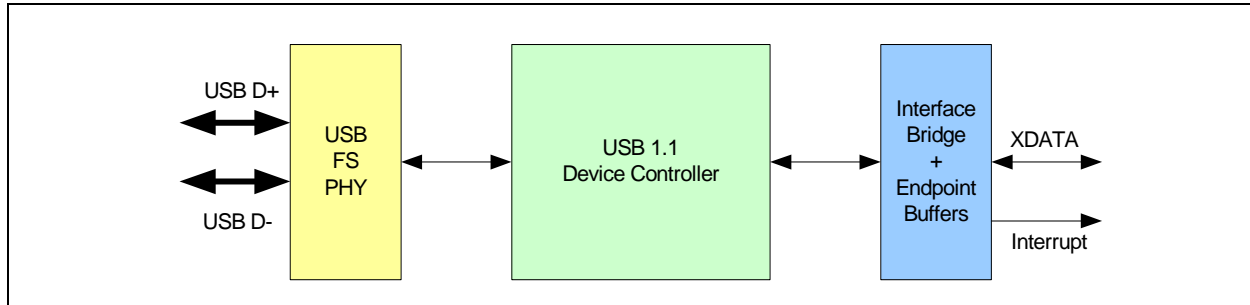
SEC1110/SEC1210

1.3 USB Subsystem

The USB Subsystem is made up of the following 3 functional blocks

- FS USB PHY
- USB Device Controller (UDC)
- Interface Bridge with USB endpoint buffers

FIGURE 1-1: USB SUBSYSTEM BLOCK



1.3.1 FS USB PHY AND DEVICE CONTROLLER

The FS USB PHY contains the D+ pull-up resistor and handles the reception of USB data. The D+ and D- signals are passed through the differential receiver (which is external to the device controller core) to get a single-ended bit stream. The device controller has a digital phase-locked loop (DPLL) to extract the clock and data information. The clock and data are passed to the SIE (serial interface engine) block to identify the sync pattern and for NRZI-NRZ conversion. This NRZ data is then passed through a bit-stripper which strips off excessive inserted zeros. The data stream is passed through a PID decoder and checker to identify different PID's. The SIE block handles the protocol according to the type of PID and the endpoint to which the current transaction is addressed. If it is a data PID, the serial data is assembled into byte format and the received data is CRC is checked, then put into a one-byte buffer. The protocol layer takes the data from the buffer and forwards it to the Interface Bridge. On control transfers to endpoint 0, the protocol layer forwards the transfers to the endpoint block. If the application violates the data transfer protocol during the transfer of data from the buffer to the application bus, the protocol layer controls the SIE to recover from this error.

1.3.2 INTERFACE BRIDGE AND ENDPOINT BUFFERS

These act as the interface between the 8051 micro controller and the USB device controller. The USB endpoint buffers are memory mapped on the 8051 XDATA bus. A simple buffer scheme is employed, which assigns a single/ping-pong buffer to each USB endpoint for ease of software control. Each buffer must be cleared before the next data transfer can be started.

When USB OUT data is received, it is placed into the appropriate OUT endpoint buffer and the 8051 is signaled with an interrupt (polling is also available)

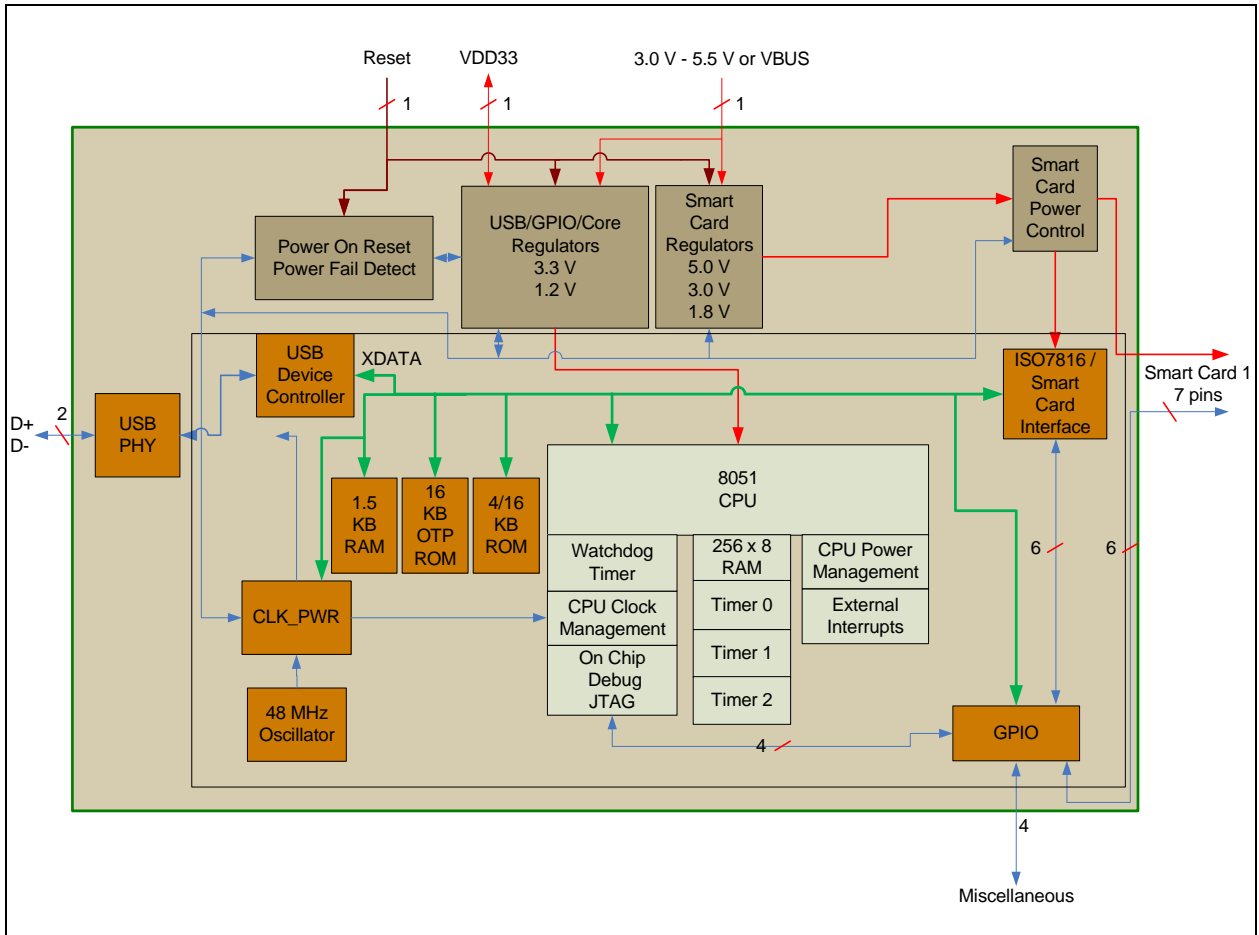
When an IN request is received, the 8051 is signaled with an interrupt and the 8051 will transfer data to the appropriate IN endpoint buffer and set a ready flag. The data will automatically be encoded for transfer over the USB bus.

1.4 Power Management Unit

The programmable clock divider supports division of the 48 MHz main clock. Additionally it enables power down under program or hardware control. Exit from power down is accomplished through a single input pin. The power management methods employed will enable a USB Suspend current of 200 μ A typical (400 μ A typical including Rpu current). In STOP Mode, 1 μ A is the maximum current for a bare bones design.

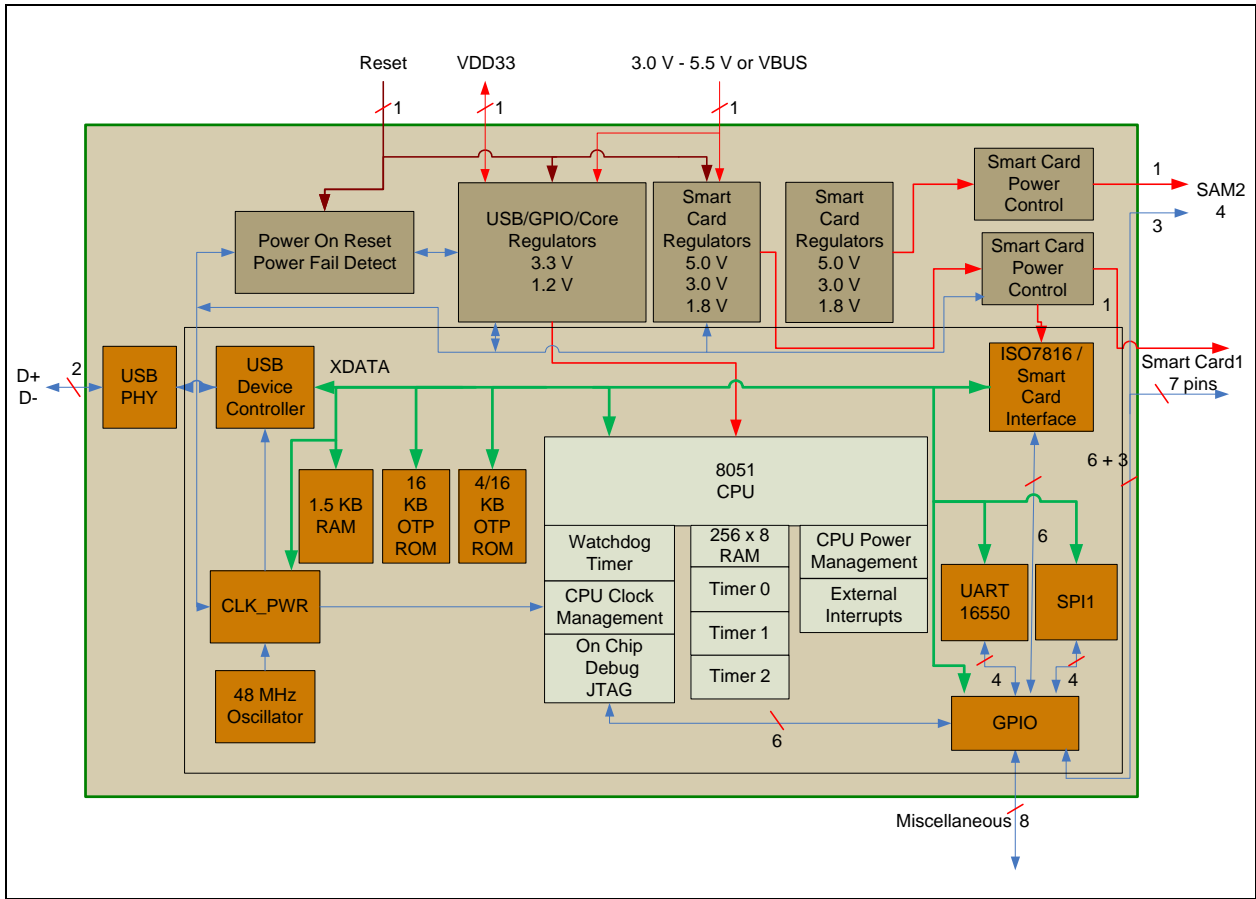
2.0 BLOCK DIAGRAMS

FIGURE 2-1: SEC1110 BLOCK DIAGRAM



SEC1110/SEC1210

FIGURE 2-2: SEC1210 BLOCK DIAGRAM



3.0 PIN TABLE

3.1 SEC1110 16-Pin QFN

TABLE 3-1: SEC1110 16-PIN PACKAGE

| SMART CARD (7 PINS) | | | |
|-------------------------------|---------------------------|---------|----------|
| SC1_VCC | Sc1_rst_N | sc1_clk | sc1_io |
| SC1_C8 | SC1_PRSENT_N/ JTAG_TMS | SC1_C4 | |
| USB INTERFACE (2 PINS) | | | |
| USB_DP | usb_DM | | |
| MISC (5 PINS) | | | |
| RESET_N | SC_LED_ACT_N/ JTAG_TDO | TEST | JTAG_CLK |
| JTAG_TDI | | | |
| DIGITAL, POWER (2 PINS) | | | |
| VDD33 | VDD5 | | |
| TOTAL 16 (VSS - THERMAL SLUG) | | | |

3.2 SEC1210 24-Pin QFN

TABLE 3-2: SEC1210 24-PIN PACKAGE

| SMART CARD (7 PINS) | | | |
|--|---------------------------|------------------|----------------|
| SC1_VCC | Sc1_rst_N | sc1_clk | sc1_io |
| SC1_C8 | SC1_PRSENT_N/ JTAG_TMS | SC1_C4 | |
| SMART CARD 2/SECURITY AUTHENTICATION MODULE (5 PINS) | | | |
| SC2_VCC | Sc2_rst_N | sc2_clk | sc2_io |
| SC2_PRSENT_N/ JTAG_TDI | | | |
| USB INTERFACE (2 PINS) | | | |
| USB_DP | usb_DM | | |
| SPI1/UART (4 PINS) | | | |
| SPI1_MISO/RXD | SPI1_MOSI/TXD | SPI1_CLK/CTS_OUT | SPI1_CE/RTS_IN |
| MISC (4 PINS) | | | |

SEC1110/SEC1210

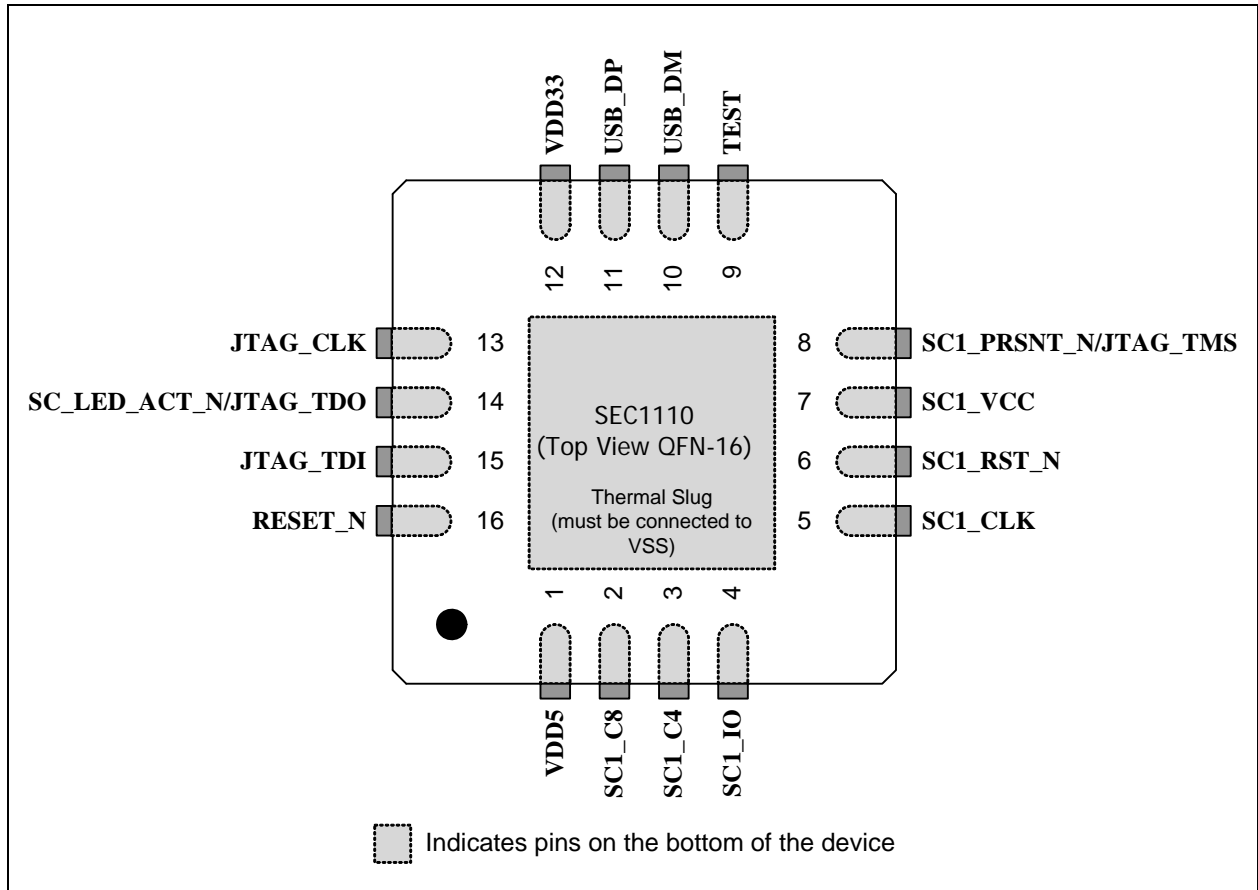
TABLE 3-2: SEC1210 24-PIN PACKAGE

| | | | |
|--------------------------------------|---------------------------|------|----------|
| RESET_N | SC_LED_ACT_N/ JTAG_TDO | TEST | JTAG_CLK |
| DIGITAL, POWER (2 PINS) | | | |
| VDD33 | VDD5 | | |
| TOTAL 24 (VSS - THERMAL SLUG) | | | |

Note: The NC pins are "No Connects". There are no NC pads in the Known Good Die (KGD).

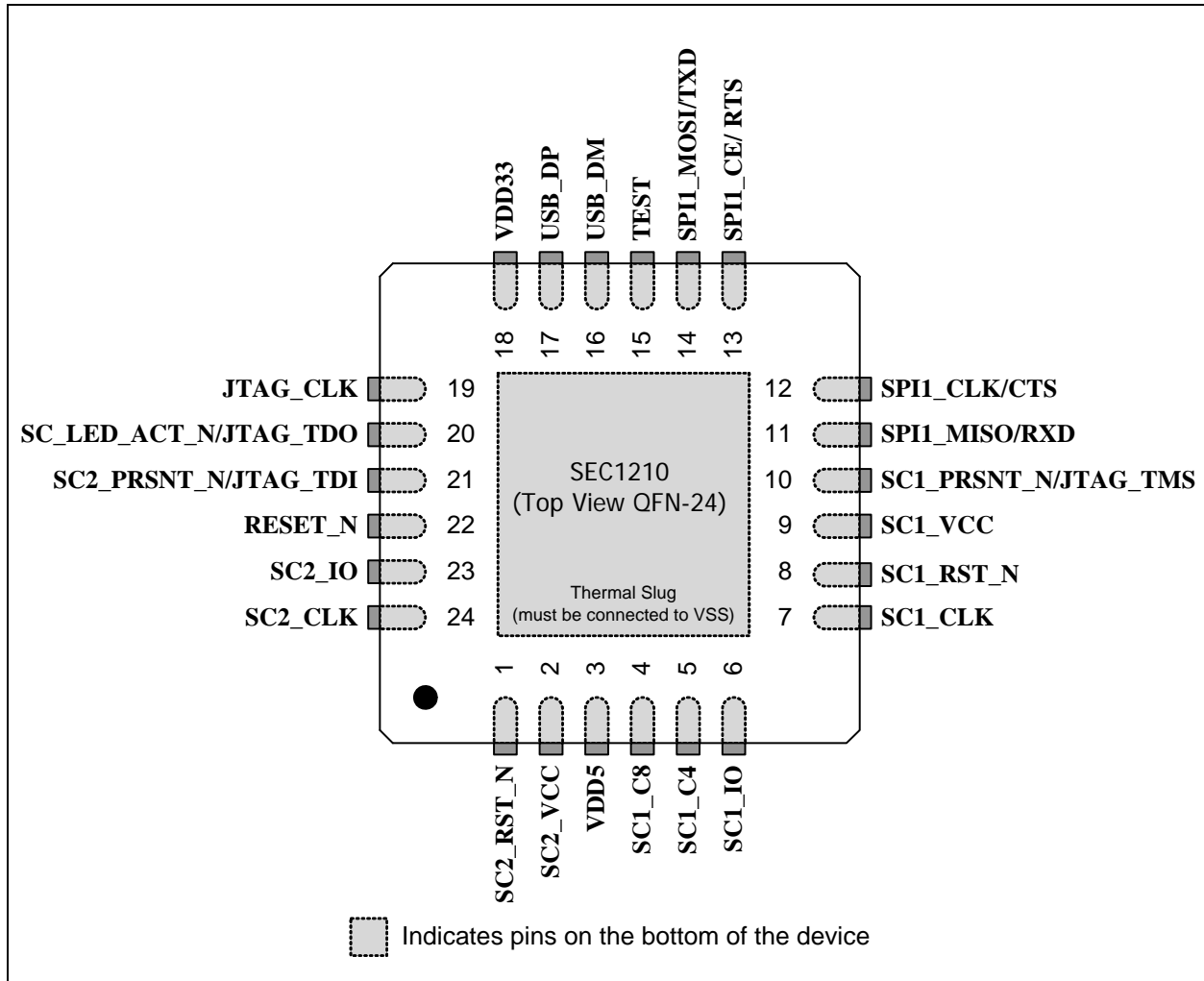
4.0 PIN CONFIGURATIONS

FIGURE 4-1: SEC1110 16-PIN QFN PACKAGE



SEC1110/SEC1210

FIGURE 4-2: SEC1210 24-PIN QFN PACKAGE



5.0 PIN DESCRIPTIONS

This section provides a detailed description of each signal. The signals are arranged in functional groups according to their associated interface.

An *N* at the end of a signal name indicates that the active (asserted) state occurs when the signal is at a low voltage level. When the *N* is not present, the signal is asserted when it is at a high voltage level. The terms assertion and negation are used exclusively in order to avoid confusion when working with a mixture of active low and active high signals. The term assert, or assertion, indicates that a signal is active, independent of whether that level is represented by a high or low voltage. The term negate, or negation, indicates that a signal is inactive.

5.1 SEC1110 and SEC1210 Pin Descriptions

TABLE 5-1: SEC1110 AND SEC1210 PIN DESCRIPTIONS

| Name | Symbol | Buffer Type | Description |
|--|---|-------------|--|
| SMART CARD INTERFACE | | | |
| SC Reset Output | SC1_RST_N/ GPIO2 | Note 5-1 | SC1_RST_N, SC2_RST_N: A low pulse resets the card and triggers an “answer to reset” (ATR) response message. This pin should be held low when the interface is not active. |
| | SC2_RST_N/ GPIO18 | | GPIO2, GPIO18: These pins may alternatively be configured as a general purpose I/O pins. |
| SC Clock Output | SC1_CLK/ GPIO1 | Note 5-1 | SC1_CLK, SC2_CLK: The clock reference for communication with the flash media card. This pin should be held low when the interface is not active. |
| | SC2_CLK/ GPIO17 | | GPIO1, GPIO17: These pins may alternatively be configured as general purpose I/O pins. |
| SC Data I/O | SC1_IO/ GPIO0 | Note 5-1 | SC1_IO, SC2_IO: The bidirectional serial data pin, which should be held low when the interface is not active. |
| | SC2_IO/ GPIO16 | | GPIO0, GPIO16: These pins may alternatively be configured as general purpose I/O pins. |
| SC Voltage for Card | SC1_VCC/ SC2_VCC | | The voltage supply pin, where the output of the pin can be set to 1.8, 3.0, or 5.0 volts, depending on the type of Smart Card detected. These pins require an external 1 μ F capacitor. The same voltage must be applied to power SC_x_RST# , SC_x_CLK , SC_x_IO , SC_x_C4 , and SC_x_C8 pins as digital inputs. |
| SC Standard or Proprietary Use Contact | SC1_C8 (SC1_SPU)/ GPIO4 | Note 5-1 | SC1_C8, SC1_SPU: These pins can be used for either standard or proprietary use as an input and/or output. |
| | | | This pin can alternatively be used as general purpose I/O pin. |
| SC Present | SC1_PRSENT_N/ JTAG_TMS/ TIMER0_IN/ GPIO6 | I/O8PUD | SC1_PRSENT_N, SC2_PRSENT_N: Active-low signals used to detect the Smart Card device. These pins have an internal pull-up which can be activated by software to detect the Smart Card device. |
| | SC2_PRSENT_N/ JTAG_TDI/ GPIO19 | | JTAG_TMS, JTAG_TDI: These pins can alternatively be configured in debug mode by software. GPIO6, GPIO19: These pins can alternatively be used as general purpose I/O pins, or as the Timer 0 input pin. |
| SC1_FCB | SC1_C4 (SC1_FCB)/ GPIO3 | Note 5-1 | SC1_C4: This pin is to attach to C4 of the Smart Card for cards that support Function Code. |
| | | | GPIO3: This pin may alternatively be configured as a general purpose I/O pin. |

SEC1110/SEC1210

TABLE 5-1: SEC1110 AND SEC1210 PIN DESCRIPTIONS (CONTINUED)

| Name | Symbol | Buffer Type | Description |
|------------------------------------|----------------------------|-------------|---|
| SC Active Indicator | SC_LED_ACT_N/ JTAG_TDO/ | I/O8PUD | The driver for the active LED. |
| | | | This pin can alternatively be configured in debug mode by software. |
| | TIMER2_T2EX/ GPIO5 | | This pin may alternatively be used as general purpose I/O pin, or as the Timer 2 "t2ex" input pin. |
| USB INTERFACE | | | |
| USB Bus Data | USB_DM, USB_DP | I/O-U | These pins connect to the upstream USB bus data signals. |
| SPI1/UART INTERFACE (QFN24) | | | |
| SPI1 Chip Enable | SPI1_CE_N/ | I/O8PUD | The active-low chip-enable output (Master mode). If the SPI1 interface is disabled, this pin must be driven high in idle state by software. |
| | RTS/ | | This pin can alternatively function as the UART RTS signal, when UART is used instead of SPI1. |
| | GPIO11 | | This pin may also be used as a general purpose I/O pin. |
| SPI1 Clock | SPI1_CLK/ CTS/ | I/O8PUD | The SPI1 clock output (Master mode). This pin can alternatively function as the UART CTS signal, when UART is used instead of SPI1. |
| | | | This pin can alternatively be used as a general purpose I/O pin. |
| | GPIO10 | | |
| SPI1 Data In | SPI_MISO/ | I/O8PUD | The Master data in to the controller. This pin must have a weak internal pull-down applied at all times to prevent floating. |
| | RXD/ | | This pin alternatively function as the UART RXD input signal, when UART is used instead of SPI1. |
| | GPIO8 | | This pin can alternatively be configured as a general purpose I/O pin. |
| SPI1 Data Out | SPI_MOSI/ | I/O8PUD | This is the Master data output from the controller. This pin must have a weak internal pull-down applied when used as input to prevent floating. |
| | TXD/ | | This pin can alternatively function as the UART TXD output signal, when UART is used instead of SPI1. |
| | GPIO9 | | GPIO9: This pin can alternatively be used as a general purpose I/O pin. |
| MISC | | | |
| TEST | TEST | I/O8PUD | This signal is used for testing the chip. If the test function is not used, this pin must be tied low externally. |
| RESET input | RESET_N | IS | This active low signal is used by the system to reset the chip and enter STOP mode. The active low pulse should be at least 1 μ s wide. This pin is an analog input signal with $V_{il}=100$ mV. |
| JTAG Clock | JTAG_CLK | I/O8PUD | This input pad is used for JTAG debugging and has a weak pull down. It can be left floating or grounded when not used. If the JTAG is connected, this signal will be detected high, and the software disables the pull-up after reset. |
| GPIO 28 | GPIO28 | I/O8PUD | General Purpose I/O pin. |
| GPIO 29 | GPIO29 | I/O8PUD | General Purpose I/O pin. |
| GPIO 30 | GPIO30 | I/O8PUD | General Purpose I/O pin. |

TABLE 5-1: SEC1110 AND SEC1210 PIN DESCRIPTIONS (CONTINUED)

| Name | Symbol | Buffer Type | Description |
|---------------------------------|--------|-------------|--|
| DIGITAL / POWER / GROUND | | | |
| VBUS 5V Power | VDD5 | | 5.0 V (or VBUS) power input. |
| 3.3V Analog Power Output | VDD33 | | 3.3 V analog power output for decoupling capacitor. This pad requires an external 1 μ F capacitor. |
| Ground | VSS | | Ground reference |

Note: All pins OTP_VPP_MON, OTP_VREF, OTP_VREFA, OTP_VREF_SA are NC's.

Note 5-1 This pin has a unique function, detailed in [Section 18.0, "DC Parameters," on page 188.](#)

5.2 Buffer Type Descriptions

TABLE 5-2: SEC1110 AND SEC1210 BUFFER TYPE DESCRIPTIONS

| Buffer Type | Description |
|-------------|---|
| I | Input |
| IPU | Input with weak internal pull-up resistor |
| IS | Input with Schmitt trigger |
| I/O12 | Input/output buffer with 12 mA sink and 12 mA source |
| I/O8PD | Input/output buffer with 8 mA sink and 8 mA source, with an internal weak pull-down resistor |
| I/O8PU | Input/output buffer with 8 mA sink and 8 mA source with an internal weak pull-up resistor |
| I/O8PUPD | Input/output buffer with 8 mA sink and 8 mA source, with a selectable pull-up and pull-down resistors |
| I/OD8PU | Input/open drain output buffer with a 8 mA sink |
| I/O12PD | Input/output buffer with 12 mA sink and 12 mA source, with an internal weak pull-down resistor |
| I/O12PU | Input/output buffer with 12 mA sink and 12 mA source with an internal weak pull-up resistor |
| I/O12PUPD | Input/output buffer with 12 mA sink and 12 mA source, with a selectable pull-up and pull-down resistors |
| I/OD12PU | Input/open drain output buffer with a 12 mA sink |
| O12 | Output buffer with a 12 mA sink and a 12 mA source |
| O12PD | Output buffer with 12 mA sink and 12 mA source, with a pull-down resistor |
| O12PU | Output buffer with 12 mA sink and 12 mA source, with a pull-up resistor |
| ICLKx | XTAL clock input |
| OCLKx | XTAL clock output |
| I/O-U | Analog input/output defined in USB specification |
| I-R | RBIAS |

SEC1110/SEC1210

6.0 PIN RESET STATES

TABLE 6-1: PIN RESET STATES

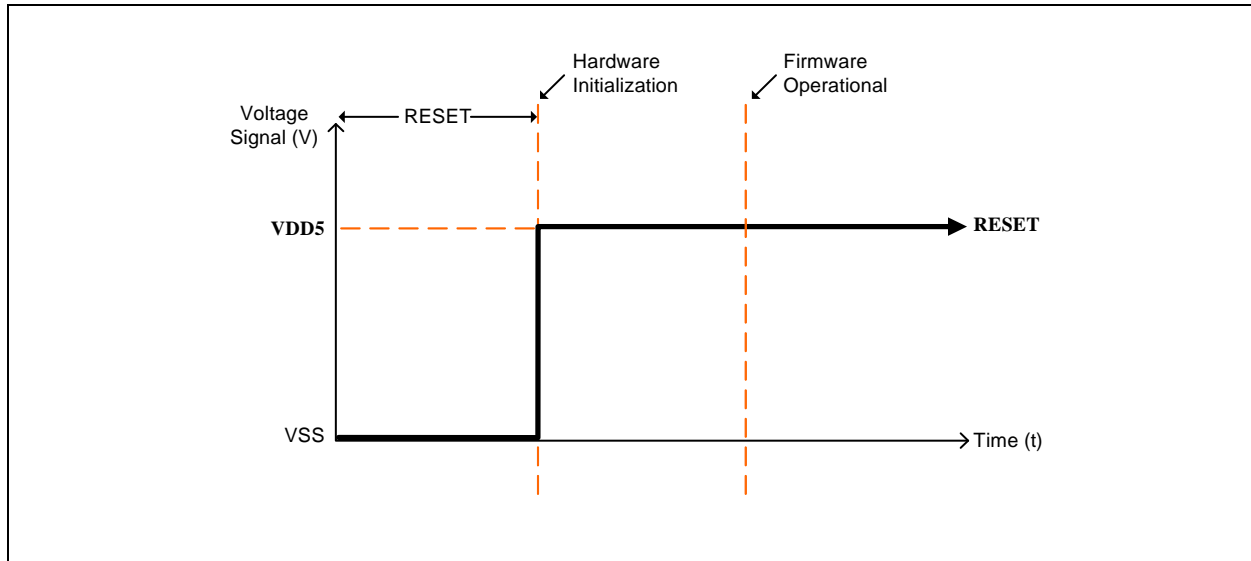


TABLE 6-2: LEGEND FOR PIN RESET STATES TABLE

| Symbol | Description |
|--------|---|
| Y | Hardware enables function |
| 0 | Output low |
| 1 | Output high |
| -- | Hardware disables function |
| Z | Hardware disables output driver (high impedance) |
| PU | Hardware enables pull-up |
| PD | Hardware enables pull-down |
| HW | Hardware controls function, but state is protocol dependent |
| (FW) | Firmware controls function through registers |
| VDD | Hardware supplies power through pin, applicable only to CARD_PWR pins |
| none | Hardware disables pad |

TABLE 6-3: SEC1110 QFN 16-PIN RESET STATES

| Pin | Pin Name | Reset State | | | |
|-----|----------|--------------------|--------|-------|--------|
| | | Function | Output | PU/PD | Input |
| 1 | VDD5 | 5.0 V supply | | | ANALOG |
| 2 | SC1_C8 | Smart Card1 C8 pin | Z | | |
| 3 | SC1_C4 | Smart Card1 C4 pin | Z | | |
| 4 | SC1_IO | Smart Card1 IO pin | Z | | |

TABLE 6-3: SEC1110 QFN 16-PIN RESET STATES

| Pin | Pin Name | Reset State | | | |
|-----|-----------------------|--|--|---------------------------------------|------------------------------------|
| | | Function | Output | PU/PD | Input |
| 5 | SC1_CLK | Smart Card1 CLK pin | Z | | |
| 6 | SC1_RST_N | Smart Card1 RST_N pin | Z | | |
| 7 | SC1_VCC | Smart Card1 Power supply output 5.0V/3.3V/1.8V | Note 6-1 Note 6-2 | | ANALOG |
| 8 | SC1_PRSENT_N/JTAG_TMS | GPIO input for Smart Card1 presence detect. | Z | | |
| 9 | TEST | Test mode pin | Z | PD Note 6-8 | Yes Note 6-6 |
| 10 | USB_DM | USB D- | Z | | |
| 11 | USB_DP | USB D+ | Z | | |
| 12 | VDD33 | 3.3 V power supply output | Note 6-3 | | ANALOG |
| 13 | JTAG_CLK | JTAG clock pin | Z | PD Note 6-4 | Yes Note 6-6 |
| 14 | SC_LED_ACT_N/JTAG_TDO | GPIO output for Smart Card1 LED | Z | | |
| 15 | JTAG_TDI | JTAG data in pin | Z | PD Note 6-8 | Yes Note 6-6 |
| 16 | RESET_N | Reset input | Z | | ANALOG Note 6-5 |
| - | VSS | Package ground | | | ANALOG |

TABLE 6-4: SEC1210 QFN 24-PIN RESET STATES

| Pin | Pin Name | Reset State | | | |
|-----|-----------------------|--|--|-------|--------|
| | | Function | Output | PU/PD | Input |
| 1 | SC2_RST_N | Smart Card2 RST_N pin | Z | | |
| 2 | SC2_VCC | Smart Card2 power supply output 5.0V/3.3V/1.8V | Note 6-1 Note 6-2 | | ANALOG |
| 3 | VDD5 | 5.0 V supply | | | ANALOG |
| 4 | SC1_C8 | Smart Card1 C8 pin | Z | | |
| 5 | SC1_C4 | Smart Card1 C4 pin | Z | | |
| 6 | SC1_IO | Smart Card1 IO pin | Z | | |
| 7 | SC1_CLK | Smart Card1 CLK pin | Z | | |
| 8 | SC1_RST_N | Smart Card1 RST_N pin | Z | | |
| 9 | SC1_VCC | Smart Card1 Power supply output 5.0V/3.3V/1.8V | Note 6-1 Note 6-2 | | ANALOG |
| 10 | SC1_PRSENT_N/JTAG_TMS | GPIO input for Smart Card1 presence detect. | Z | | |
| 11 | SPI1_MISO/RXD | GPIO pin for SPI1 data | Z | | |

SEC1110/SEC1210

TABLE 6-4: SEC1210 QFN 24-PIN RESET STATES

| Pin | Pin Name | Reset State | | | |
|-----|-----------------------|---|----------|----------------|--------------------|
| | | Function | Output | PU/PD | Input |
| 12 | SPI1_CLK/CTS | GPIO pin for SPI1 clock | Z | | |
| 13 | SPI1_CE/RTS | GPIO pin for SPI1 chip enable | Z | | |
| 14 | SPI1_MOSI/TXD | GPIO pin for SPI1 data | Z | | |
| 15 | TEST | Test mode pin | Z | PD Note 6-8 | Yes Note 6-6 |
| 16 | USB_DM | USB D- | Z | | |
| 17 | USB_DP | USB D+ | Z | | |
| 18 | VDD33 | | Note 6-3 | | ANALOG |
| 19 | JTAG_CLK | JTAG clock pin | Z | PD Note 6-8 | Yes Note 6-6 |
| 20 | SC_LED_ACT_N/JTAG_TDO | GPIO output for Smart Card1 LED | Z | | |
| 21 | SC2+PRSNT_N/JTAG_TDI | GPIO input for Smart Card1 presence detect. | Z | PD Note 6-8 | Yes Note 6-6 |
| 22 | RESET_N | Reset input | Z | | ANALOG Note 6-5 |
| 23 | SC2_IO | Smart Card2 IO pin | Z | | |
| 24 | SC2_CLK | Smart Card2 CLK pin | Z | | |
| - | VSS | Package ground | | | ANALOG |

- Note 6-1** The Smart Card1 and Smart Card2 power supply output is powered down at reset state.
- Note 6-2** The Smart Card1 and Smart Card2 power supply output requires an external 1.0 μ F capacitor.
- Note 6-3** Internal voltage regulator output for USB, GPIO 3.3 V IO Supply. This pin requires an external 1.0 μ F capacitor.
- Note 6-4** A weak pull down is present on the **TEST**, **JTAG_CLK**, and **JTAG_TDI** pads. If JTAG is connected, and this pad is pulled high, then the reset state of the pins 8 (**JTAG_TMS**), 13(**JTAG_CLK**), 14(**JTAG_TDO**), and 15(**JTAG_TDI**) functions in JTAG Mode. The weak pull-down can be disabled after reset release by software.
- Note 6-5** **RESET_N** is an analog input, which when low, powers down all internal voltage regulators and the pads are in high impedance state. The pads function as input, including pull-ups pull-downs functionality after internal 3.3V power (VDD33) is good.
- Note 6-6** The **TEST**, **JTAG_CLK**, and **JTAG_TDI/GPIO[19]** values at internal power on reset release (after **RESET_N** release) is captured in the chip to enter various functional or test modes.
- Note 6-7** Smart Card2 power supply output is powered down at reset state.
- Note 6-8** A weak pull-down is present on **TEST**, **JTAG_CLK**, and **JTAG_TDI** pads if JTAG is connected, and this pad is pulled high. The reset state of the pins 10(**JTAG_TMS**), 19(**JTAG_CLK**), 20(**JTAG_TDO**), and 21(**JTAG_TDI**) function in JTAG Mode. The weak pull-down can be disabled after reset release by software.
- Note 6-9** The LCD regulator LDO4 and Smart Card2 output is powered down at reset state.

7.0 8051 EMBEDDED CONTROLLER

The embedded controller used in the SEC1110 and SEC1210 is an R8051XC2 from Evatronix. The R8051XC2 is a high performance 8-bit embedded processor. The processor core is a low gate count core, with low-latency interrupt processing that features:

- Single clock per machine cycle: an average of 2.12 machine cycles per instruction
- Industry standard MCS51 instruction set
- Dual Data Pointers (2 x DPTR)

The R8051XC2's interrupt controller is closely integrated with the processor core to achieve low latency interrupt processing, incorporating the following features:

- 13 external interrupts
- 4 priority levels for each interrupt

The embedded controller provides low-cost debug solutions, including:

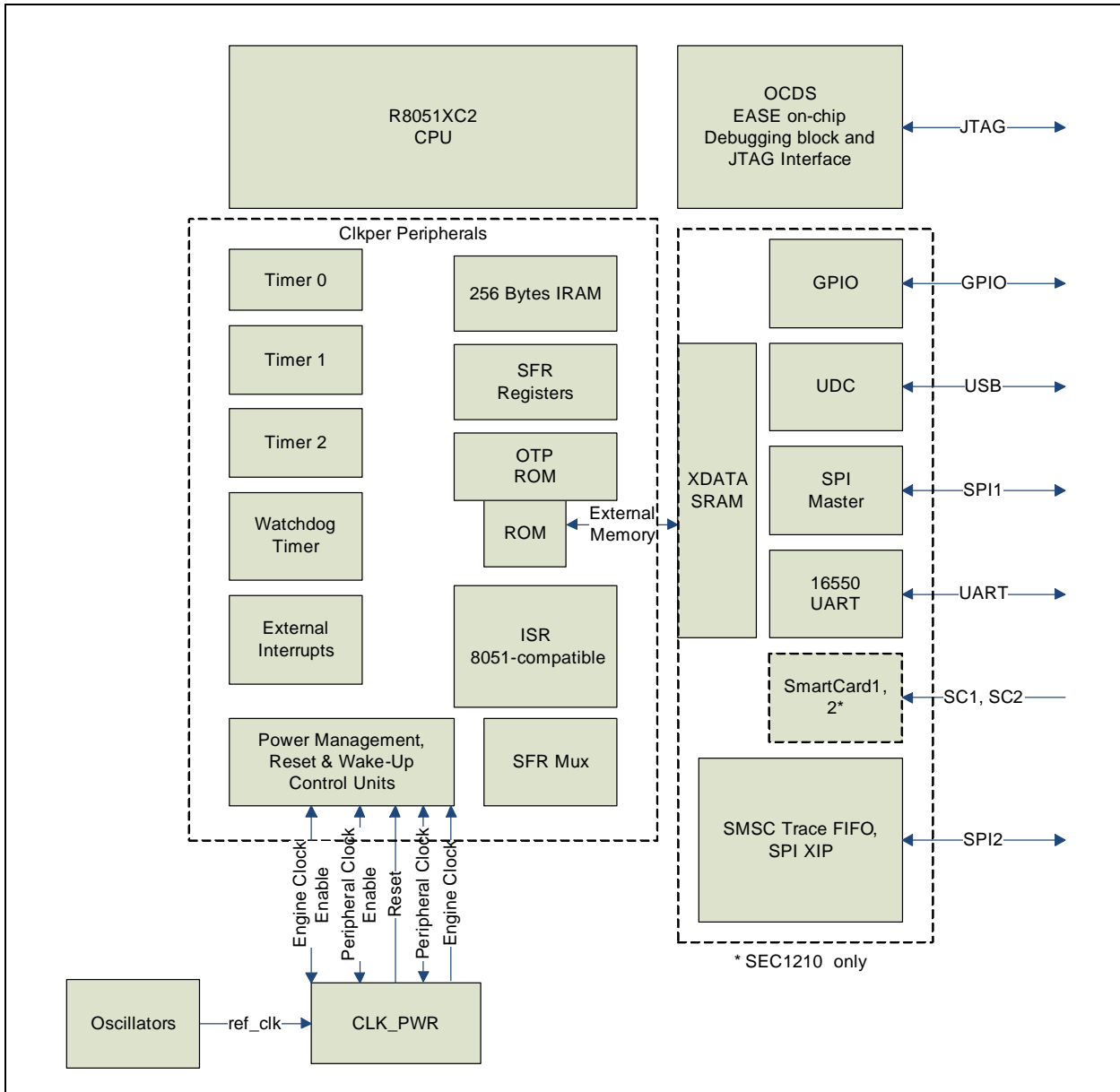
- JTAG port for debugging using EASE OCDS debugging
- Software and 4 hardware breakpoints

The R8051XC2 bus interfaces include:

- 256 bytes internal data memory RAM
- Program Memory Write Mode
- Supports 128 KB program memory space with banking
- Supports 128 KB of external data memory space with banking

SEC1110/SEC1210

FIGURE 7-1: R8051XC2 Block Diagram



7.1 Sleep/Power Management

The R8051XC2 has a power management control unit that generates clock enable signals for the main CPU and for peripherals; serves Power Down Modes IDLE and STOP; and generates an internal synchronous reset signal (upon external reset, watchdog timer overflow, or software reset condition). The IDLE Mode leaves the clock of the internal peripherals running. Any interrupt will wake the CPU.

The STOP Mode turns off all internal clocks. The CPU will exit this state when an external interrupt (0 or 1) or reset occurs and internally generated interrupts are disabled since they require clock activity.

The Wake-up From Power-Down Mode control unit services two external interrupts during power-down modes. They can combinationally force the clock enable outputs back to active state so the clock generation can be resumed.

7.1.1 EC DATA MEMORY

The EC has 1.5 KB data memory that is accessed through the XDATA Bus which is implemented with static RAM and organized as 1.5 K x 8 bits. The base address of the memory is 8000h in the EC address space and extends to location 85FFh.

7.1.2 EC OTP INSTRUCTION MEMORY

The primary instruction memory for the EC is a 16 Kx 8 bit OTP ROM memory, located at locations 0000h through 3FFFh in the EC address space. There is also a 4 K x 8 bit ROM that is used to overlay the OTP memory when it has not been programmed. A bit in the OTP disables the ROM overlay. The OTP memory is also mapped into the XDATA space when the overlay is active so that the CPU can program the OTP from the USB bus.

7.2 EC Registers

TABLE 7-1: CODE EXECUTION TRUTH TABLE

| OTP_CFG.FORCE_OTP_ROM | OTP_CFG.OTP_ROM_EN | EXT_SPI_EN/ BOND[2] | CODE EXECUTION |
|-----------------------|--------------------|------------------------|----------------|
| 0 | X | 1 | External SPI2 |
| 0 | 0 | 0 | ROM |
| 0 | 1 | 0 | OTP |
| 1 | X | X | OTP |

The truth table indicates which memory is mapped into the 8051 CODE space depending on the three signals ROM_EN, defined in the OTP_CFG Register, OTP_ROM_EN, and the EXT_SPI_EN (**BOND2** bond option).

7.3 EC Memory Map

TABLE 7-2: CODE SPACE

| Name | Address Range |
|--|--|
| INTERNAL ROM (4 K) (SEC1110 and SEC1210) INTERNAL ROM (16 K) (later versions) | 0000h-0FFFh C000h-CFFFh (alias address range) (deprecated) 18000h-18FFFh (alias address range) 1A000h-1DFFFh (alias address range) (later versions) |
| OTP ROM (16 K) | 0000h-3FFFh |
| EXTERNAL SPI | 0000-FFFFh |
| SRAM (1.5 K) | 19000h-195FFh (alias address range) |

SEC1110/SEC1210

TABLE 7-3: XDATA SPACE RANGES

| Name | Address Range |
|--|---|
| OTP ROM (Note 7-1) | 0000h-7FFFh |
| SRAM (1.5 K) | 8000h-85FFh |
| Smart Card ^{1,2} | 9000h-93FFh |
| UART | 9500h-95FFh |
| USB DEVICE CONTROLLER | 9600h-96FFh |
| SPI2 CODE MASTER | 9A00h-9A18h |
| GPIO | 9C00h-9DFFh |
| CLK_PWR | A000h-A3FFh |
| OTP_TEST | A400h-A7FFh |
| SPI2 CODE MASTER (TRACE FIFO) | BFFEh-BFFFh |
| INTERNAL ROM (4 K) (SEC1110 and SEC1210) INTERNAL ROM (16 K) (later versions) | C000h-CFFFh (alias address range) (deprecated) 18000h-18FFFh (alias address range) 1A000h-1DFFFh (alias address range) (later versions) |

Note 7-1 OTP ROM is only visible in the XDATA space if the Internal ROM is enabled (see Table 7-1).

There is 128 KB of program space available. The lower 32 KB always is mapped to 0000-7FFFh. The higher ranges 32 KB to 128 KB are accessed through a window at 8000h-FFFFh using the pagesel registers. The ROM and SRAM are also mapped to address at 96 KB. This enables access to ROM code while executing from OTP_ROM. This also enables downloading code to SRAM and executing for test modes.

TABLE 7-4: CPU BOOT ADDRESS MAPPING

| CPU CODE MAPPED ADDRESS[15:0] | CPU UNMAPPED ADDRESS[16:0] | | | COMMENT |
|-------------------------------|---------------------------------|---|--------------------------------|--|
| | INTERNAL ROM BOOTING | INTERNAL OTP_ROM BOOTING | EXTERNAL SPI BOOTING | |
| | FORCE_OTP_ROM=0 OTP_ROM_EN=0 | (FORCE_OTP_ROM=1) (EXT_SPI_EN=0 & OTP_ROM_EN=1) | FORCE_OTP_ROM=0 & EXT_SPI_EN=1 | |
| 00000h-7FFFh | ROM=00000h-00FFFh | OTP_ROM_16K=00000h-03FFFh | EXT_SPI=00000h-07FFFh | If size of internal ROM/OTP_ROM/ External SPI is less than 32KB, then rest of the region is reserved. pagesel[2:0]=000 must not be used. |
| 8000h-FFFFh | | Reserved=(OTP_ROM_16K) 08000h-0FFFFh | EXT_SPI=08000h-07FFFh | pagesel[1:0]=01 Upper 32K of ROM/OTP_ROM/EXT_SPI code execution |
| 8000h-FFFFh | | | | pagesel[1:0]=10 32KB OTP_ROM code execution |

TABLE 7-4: CPU BOOT ADDRESS MAPPING

| CPU CODE MAPPED ADDRESS[15:0] | CPU UNMAPPED ADDRESS[16:0] | | | COMMENT |
|-------------------------------|---|---|---|--|
| 8000h-FFFFh | Reserved= 18000h-1FFFFh | ROM= 18000h-18FFFh | ROM= 18000h-18FFFh | pagesel[1:0]=11 SRAM code execution |
| | SRAM_1.5K= 19000h-195FFh | SRAM_1.5K= 19000h-195FFh | SRAM_1.5K= 19000h-195FFh | |
| | Reserved= (SRAM_1.5K) 19600h-19FFFh | Reserved= (SRAM_1.5K) 19600h-19FFFh | Reserved= (SRAM_1.5K) 19600h-19FFFh | |
| | In SEC1110/SEC1210 ROM= 1A000h-1DFFFh else Reserved= 1A000h-1FFFFh | In SEC1110/SEC1210 ROM= 1A000h-1DFFFh else Reserved= 1A000h-1FFFFh | In SEC1110/SEC1210 ROM= 1A000h-1DFFFh else Reserved= 1A000h-1FFFFh | |

SEC1110/SEC1210

8.0 EC EXTERNAL INTERRUPTS

8.1 General Description

The R8051XC2 is 80515-compatible and will be configured to support thirteen external interrupt sources and four priority levels. In addition, there are individual internal interrupt sources for the R8051XC2 configured peripherals such as the timers and SPI1 interfaces. Each source has its own request flag(s). Each interrupt requested by the corresponding flag can be individually enabled or disabled by dedicated enable bits in the SFRs.

8.2 Interrupt Summary

TABLE 8-1: INTERRUPT VECTOR MAPPING

| INTERRUPT INPUT/ VECTOR | SOURCE | DESCRIPTION |
|-------------------------|-------------|--|
| int_vect_03 | ie0 | External Interrupt 0 - all interrupts ORed except GPIOs In SEC1110/SEC1210 version, the SPI1, Power Status interrupts will not cause an ie0 interrupt. |
| int_vect_0B | t0_f0 | Timer 0 overflow |
| int_vect_13 | ie1 | External Interrupt 1 - GPIO Port 0,1,2 interrupts |
| int_vect_1B | tf1_gate | Timer 1 overflow |
| int_vect_23 | uart_int | Serial Port 0 Interrupt |
| int_vect_2B | unused | Reserved |
| int_vect_43 | ie7_gate | External Interrupt 7 - Reserved |
| int_vect_4B | ie2_gate | External Interrupt 2 - SPI1 Interrupt |
| int_vect_53 | EP3INT | External Interrupt 3 - Endpoint 3 Interrupt. Also is active for Timer2 crc/cc0 comparator output. |
| int_vect_5B | EP4INT | External Interrupt 4 - Endpoint 4 Interrupt. Also is active for Timer2 cc1 comparator output. |
| int_vect_63 | USB_INT_REG | External Interrupt 5 - USB Interrupt. Also is active for Timer2 cc2 comparator output. In SEC1110/SEC1210, the Timer2 cc2 comparator output will not cause an interrupt. |
| int_vect_6B | POWER_STS | External Interrupt 6 - Power status event. Also is active for Timer2 cc3 comparator output. In SEC1110/SEC1210, the Timer2 cc3 comparator output will not cause an interrupt. |
| int_vect_83 | unused | External Interrupt -Reserved |
| int_vect_8B | EP1INT | External Interrupt 8 - Endpoint 1 Interrupt |
| int_vect_93 | EP2INT | External Interrupt 9 - Endpoint 2 Interrupt |
| int_vect_9B | EP5INT | External Interrupt 10 - Endpoint 5 Interrupt |
| int_vect_A3 | EP0INT | External Interrupt 11 - Endpoint 0 Interrupt |
| int_vect_AB | ie12 | External Interrupt 12 - Smart Card1 and Smart Card2 Interrupt |

Note: In SEC1110/SEC1210 version, External Interrupts 4, 5, and 6 are not active when Timer2 comparator outputs for cc1, cc2, and cc3 respectively are active. This *Anomaly 24* is fixed in later versions.

8.3 EC ISR

The Interrupt Service Routine (ISR) unit, is a subcomponent responsible for interrupt handling. It receives up to 19 interrupt requests. Each of the interrupt sources can be individually enabled or disabled by the corresponding enable flag in the ien0, ien1, ien2, and ien4 SFR registers. Additionally all interrupts can be globally enabled or disabled by the ea flag in the ien0 Special Function Register.

All interrupt sources are divided into 6 interrupts groups. The definition of each group is shown in [Table 8-2](#).

TABLE 8-2: INTERRUPT PRIORITY GROUPS

| GROUP | Highest Priority in Group | | | | | | Lowest Priority in Group | |
|--------|--|--------------------------------|---|----------------------|---------------------------|----------------------|--|----------------------|
| | INTERRUPT VECTOR | INTERRUPT ENABLE BIT NAME(BIT) | INTERRUPT VECTOR | INTERRUPT ENABLE BIT | INTERRUPT VECTOR | INTERRUPT ENABLE BIT | INTERRUPT VECTOR | INTERRUPT ENABLE BIT |
| Group0 | int_vect_03 (External Interrupt 0 - all interrupts ORed except GPIOs) | ien0(0) | int_vect_83 (unused) | ien2(0) | | | int_vect_43 (External Interrupt 7 - reserved) | ien1(0) |
| Group1 | int_vect_0B (Timer 0 Interrupt) | ien0(1) | int_vect_8B (External Interrupt 8 - Endpoint 1) | ien2(1) | | | int_vect_4B (External Interrupt 2 - SPI1 Interrupt) | ien1(1) |
| Group2 | int_vect_13 (External Interrupt 1 - GPIO 0,1,2) | ien0(2) | int_vect_93 (External Interrupt 9 - Endpoint 2) | ien2(2) | | | int_vect_53 (External Interrupt 3-Endpoint 3) | ien1(2) |
| Group3 | int_vect_1B (Timer 1 Interrupt) | ien0(3) | int_vect_9B (External Interrupt 10 - Endpoint 5) | ien2(3) | | | int_vect_5B (External Interrupt 4-Endpoint 4) | ien1(3) |
| Group4 | int_vect_23 (16550 UART Interrupt) | ien0(4) | int_vect_A3 (External Interrupt 11 - Endpoint 0) | ien2(4) | | | int_vect_63 (External Interrupt 5-USB Interrupt) | ien1(4) |
| Group5 | int_vect_2B (Timer 2 Interrupt) | ien0(5) | int_vect_AB (External Interrupt 12 - Smart Card 1/2) | ien2(5) | int_vect_EB (reserved) | ien4(5) | int_vect_6B (External Interrupt 6 - Power Status Event) | ien1(5) |

Inside a group, hardware dictates the interrupt priority structure. Interrupt sources from the first column have the highest priority, sources from second column have middle priority, and sources from last column have the lowest priority. The interrupt priority inside the group cannot be changed, where there is also an interrupt priority structure between the groups. Group0 has the highest priority and Group5 has the lowest. The priority between groups can be programmed by changing priority level (priority level can be set from 0 to 3) that is assigned to each group. The priority level of an interrupt group is defined by flags of the ip0 and ip1 SFRs. When the priority levels for two groups are programmed to the same level, the priority among them is in the order, from high to low (Group0 down to Group5).

To determine which interrupt has the highest priority (which must be serviced in the first order) the following steps are completed:

1. From all groups, those with the highest priority level are chosen.
2. From those with the highest priority level, the one with the highest natural priority between the groups is chosen.
3. From the group with highest priority, the interrupt with the highest priority inside the group is chosen.

The currently running interrupt service subroutine can be interrupted only by interrupts with a higher priority level. No interrupt with the same or lower priority level can interrupt the currently running interrupt service subroutine. Therefore there can be a maximum of four interrupts in service at the same time.

SEC1110/SEC1210

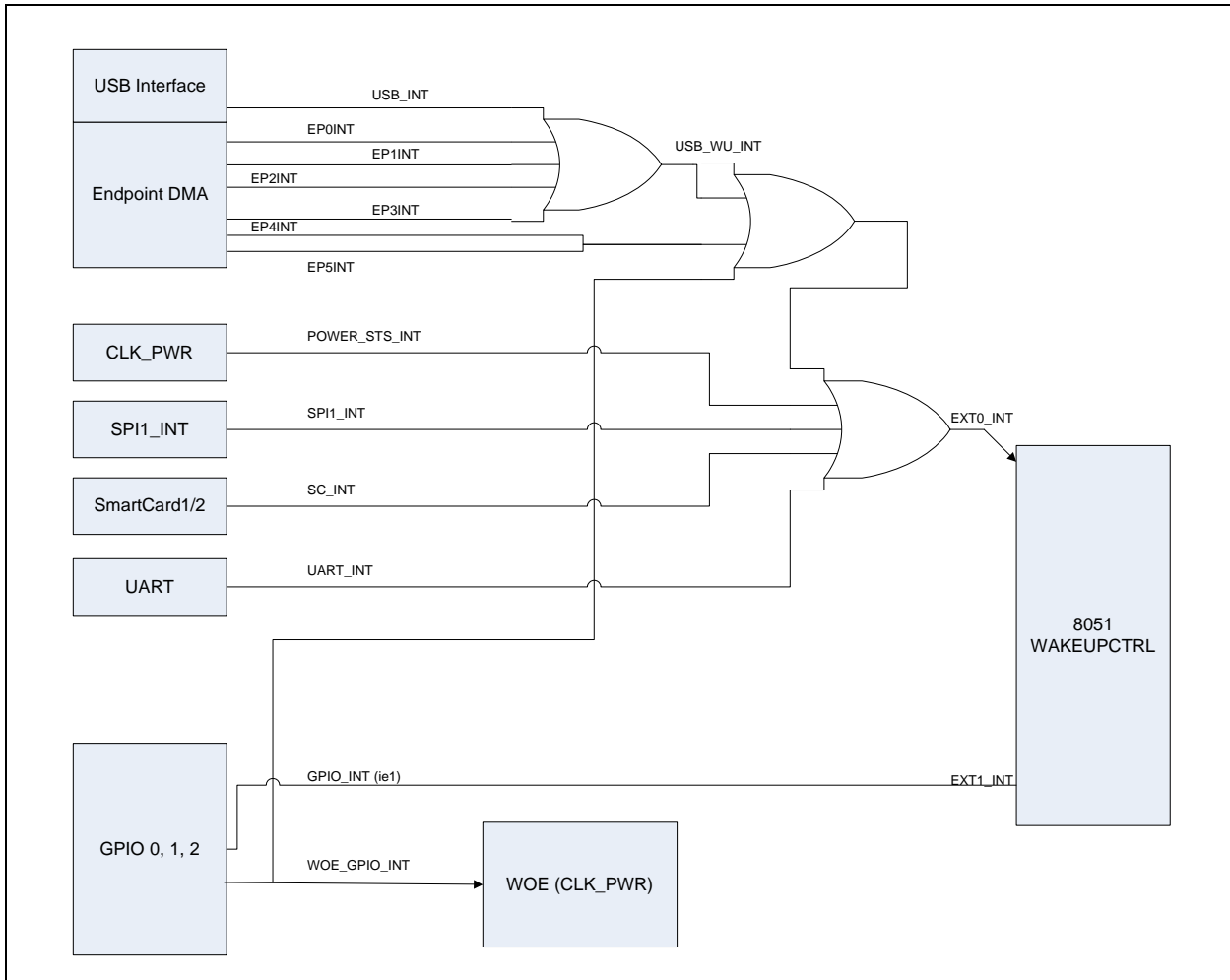
The ISR block inserts two CPU clock cycle delays between an interrupt request sent to the ISR and an interrupt request sent by ISR to the CPU. When the ISR sends an interrupt request to the CPU, it responds by executing an interrupt acknowledge cycle.

The interrupt vector table is located at 0000h, which is in the Internal ROM or OTP.

8.4 Wake-up Interrupt Source Register

The R8051XC2 controller contains a WAKEUP feature that allows either the EXT0 or EXT1 Interrupt to wake-up the processor from the STOP or IDLE Mode. Since the clocks to the processor will be stopped, the interrupt sources for EXT0 and EXT1 must be combinatorial. An additional register will provide masking for the available wake-up sources.

FIGURE 8-1: WAKE-UP INTERRUPT



If the interrupt is active and the corresponding bit in the Wakeup Enable Register is set, then the EXT0 Interrupt will be active. If in IDLE or STOP Mode, this will wakeup the 8051.

The External Interrupt 1 (EXT1_INT) is connected to GPIO (0,1,2) interrupts. For a GPIO interrupt to occur, the CPU clock must be active. The rest of the interrupt sources are ORed and connected to External Interrupt 0 (EXT0_INT), including WOE_GPIO_INT. Additionally, the wake on event GPIO interrupt can occur when the clocks are in Sleep Mode. Hence, the software can exit CPU_STOP Mode by any of the external interrupts.

In the SEC1110/SEC1210 version, the GPIO block runs off `cpu_clk`, and if the 8051 is in CPU_IDLE state, the GPIO debounce feature does not function, as `cpu_clk` is gated.

In subsequent revisions, if the `OSC48_SETTLE_CLKS.A1_COMPATIBILITY` bit is set, the GPIO block runs off `cpu_per_clk`. Hence if the 8051 is in CPU_IDLE state, the GPIO debounce feature functions normally.

9.0 8051 SPECIAL FUNCTION REGISTERS

9.1 Special Function Registers Locations

The map of special function registers is shown below in [Table 9-1](#). Some addresses are occupied, while others are not implemented. Read and write access to addresses that are not implemented will have no effect.

TABLE 9-1: SPECIAL FUNCTION REGISTER LOCATIONS

| HEX | 0X0 | 0X1 | 0X2 | 0X3 | 0X4 | 0X5 | 0X6 | 0X7 | HEX |
|-----|-------|-------|-------|-------|---------|-----------|--------|------|-----|
| F8 | | | | | | | | | FF |
| F0 | B | | | | | | | SRST | F7 |
| E8 | | | | | | | | | EF |
| E0 | ACC | SPSTA | SPCON | SPDAT | SPSSN | | | | E7 |
| D8 | | | | | | | | | DF |
| D0 | PSW | | | | | | | | D7 |
| C8 | T2CON | | CRCL | CRCH | TL2 | TH2 | | | CF |
| C0 | | CCEN | CCL1 | CCH1 | CCL2 | CCH2 | CCL3 | CCH3 | C7 |
| B8 | IEN1 | IP1 | | | | | | | BF |
| B0 | | | | | | | | | B7 |
| A8 | IEN0 | IP0 | | | | | | | AF |
| A0 | | | | | | | | | A7 |
| 98 | | | IEN2 | | | | | | 9F |
| 90 | | | DPS | DPC | PAGESEL | D_PAGESEL | | | 97 |
| 88 | TCON | TMOD | TL0 | TL1 | TH0 | TH1 | | | 8F |
| 80 | | SP | DPL | DPH | DPL1 | DPH1 | WDTREL | PCON | 87 |

Note: The boxes shaded regions are undefined registers.

9.1.1 ACCUMULATOR REGISTER – ACC

The Accumulator Register is used by most of the R8051XC2 instructions to hold the operand and to store the result of an operation. The mnemonics for accumulator-specific instructions refer to accumulator as A, not ACC.

TABLE 9-2: ACC

| ACC (SFR 0XE0 - RESET=0X00) | | | ACCUMULATOR |
|-----------------------------|------|-----|-------------|
| BIT | NAME | R/W | DESCRIPTION |
| 7:0 | A | R/W | Accumulator |

SEC1110/SEC1210

9.1.2 B REGISTER – B

TABLE 9-3: B REGISTER

| B (SFR 0XF0 - RESET=0X00) | | | B |
|------------------------------|------|-----|--|
| BIT | NAME | R/W | DESCRIPTION |
| 7:0 | B | R/W | Used during multiplying and division instructions. It can also be used as a scratch-pad register to hold temporary data. |

9.1.3 PROGRAM STATUS WORD REGISTER – PSW

The PSW Register contains status bits that reflect the current state of the CPU.

Note: The parity bit can only be modified by hardware by the state of ACC Register.

TABLE 9-4: PROGRAM STATUS WORD REGISTER

| PSW (SFR 0XD0 - RESET=0X00) | | | STACK POINTER |
|--------------------------------|------|-----|--|
| BIT | NAME | R/W | DESCRIPTION |
| 7 | cy | R/W | Carry flag: The carry bit in arithmetic operations and the accumulator for Boolean operations. |
| 6 | ac | R/W | Auxiliary Carry Flag: Set if there is a carry-out from 3rd bit of the accumulator in BCD operations. |
| 5 | f0 | R/W | General Purpose Flag 0: Available for general use. |
| 4 | rs1 | R/W | Register Bank Select Control Bit 1: Used to select the working register bank. |
| 3 | rs0 | R/W | Register Bank Select Control Bit 0: Used to select the working register bank. |
| 2 | ov | R/W | Overflow Flag: Set in case of overflow in accumulator during arithmetic operations. |
| 1 | f1 | R/W | General Purpose Flag 1: Available for general use. |
| 0 | p | R | Parity Flag: Reflects the number of 1s in the accumulator. 1 : If the accumulator contains an odd number of 1s 0 : If the accumulator contains an even number of 1s |

The state of the **rs1** and **rs0** bits selects the working register bank as outlined in [Table 9-5](#).

TABLE 9-5: REGISTER BANK LOCATIONS

| rs1 | rs0 | SELECTED REGISTER BANK | LOCATION |
|-----|-----|------------------------|-------------|
| 0 | 0 | Bank 0 | (00H – 07H) |
| 0 | 1 | Bank 1 | (08H – 0FH) |
| 1 | 0 | Bank 2 | (10H – 17H) |
| 1 | 1 | Bank 3 | (18H – 1FH) |

9.1.4 STACK POINTER REGISTER – SP

TABLE 9-6: STACK POINTER REGISTER

| SP (SFR 0X81 - RESET=0X07) | | | STACK POINTER |
|-------------------------------|---------|-----|---|
| BIT | NAME | R/W | DESCRIPTION |
| 7:0 | SP[7:0] | R/W | Clock Divide Low Byte: Points to the top of the stack in the internal data memory space. |

The Stack Pointer Register is used to store the return address of a program before executing an interrupt routine or subprograms. The SP is incremented before executing a PUSH or CALL instruction, and it is decremented after executing a POP or RET(l) instruction (it always points the top of stack).

9.1.5 DATA POINTER AND DATA POINTER 1 REGISTERS – DPH, DPL AND DPH1, DPL1

TABLE 9-7: DATA POINTER(1) LOW REGISTER

| DPL (SFR 0X82 - RESET=0X00) DPL1 (SFR 0X84 - RESET=0X00) | | | DATA POINTER LOW |
|---|----------|-----|-----------------------|
| BIT | NAME | R/W | DESCRIPTION |
| 7:0 | DPL[7:0] | R/W | Data Pointer Low Byte |

TABLE 9-8: DATA POINTER(1) HIGH REGISTER

| DPH (SFR 0X83 - RESET=0X00) DPH1 (SFR 0X85 - RESET=0X00) | | | DATA POINTER HIGH |
|---|----------|-----|------------------------|
| BIT | NAME | R/W | DESCRIPTION |
| 7:0 | DPH[7:0] | R/W | Data Pointer High Byte |

One of two data pointer registers can be accessed through DPL and DPH. The actual Data Pointer is selected by the DPSEL Register.

These registers are intended to hold a 16-bit address in the Indirect Addressing Mode used by MOVX (move external memory), MOVC (move program memory) or JMP (computed branch) instructions. They may be manipulated as a 16-bit register or as two separate 8-bit registers. DPH holds the high byte and DPL holds the low byte of the indirect address.

In general, the Data Pointer registers are used to access external code or data space (e.g., MOVC A, @A+DPTR or MOV A, @DPTR, respectively).

The Data Pointer 1 Register can be accessed through DPL1 and DPH1. These SFR locations always refer to the DPTR1, regardless of the actual data pointer selection by the DPS Register. This 16-bit register is used by all DPTR-related instructions when the LSB of the DPS Register is set to 1, otherwise the DPTR is taken from DPH and DPL.

SEC1110/SEC1210

9.1.6 DATA POINTER SELECT REGISTER – DPS

TABLE 9-9: DATA POINTER SELECT REGISTER

| DPS (SFR 0X92 - RESET=0X00) | | | DATA POINTER SELECT REGISTER |
|--------------------------------|----------|-----|---|
| BIT | NAME | R/W | DESCRIPTION |
| 7:1 | Reserved | R | Always read as 0 |
| 0 | dpsel0 | R/W | Data Pointer Register Select: 0 : Data pointer 0 selected 1 : Data pointer 1 selected |

The R8051XC2 contains up to two data pointer registers. Each of these registers can be used as 16-bit address source for indirect addressing. The DPS Register serves for selecting the active data pointer register.

9.1.7 DATA POINTER CONTROL REGISTER – DPC

TABLE 9-10: DATA POINTER CONTROL REGISTER

| DPC (SFR 0X93 - RESET=0X00) | | | DATA POINTER CONTROL REGISTER |
|--------------------------------|----------|-----|--|
| BIT | NAME | R/W | DESCRIPTION |
| 7:6 | Reserved | R | Always read as 0 |
| 5:4 | dpc[5:4] | R/W | Not used |
| 3 | dpc.3 | R/W | Next Data Pointer Selection: The contents of this field is loaded to the DPS Register bit 0 after each MOVX @DPTR instruction. Note: This feature is not always enabled. Therefore, for each of the DPS registers this field has to contain a different value pointing to itself so that the auto-switching does not occur with default (reset) values. |
| 2 | dpc.2 | R/W | Auto-Modification Size: When 0, the current DPTR is automatically modified by 1 after each MOVX @DPTR instruction when dps.0 =1. When 1, the current DPTR is automatically modified by 2 after each MOVX @DPTR instruction when dps.0 =1. |
| 1 | dps.1 | R/W | Auto-Modification Direction: When 0, the current DPTR is automatically incremented after each MOVX @DPTR instruction when dps.0 =1. When 1, the current DPTR is automatically decremented after each MOVX @DPTR instruction when dps.0 =1. |
| 0 | dps.0 | R/W | Auto-Modification Enable: When set, enables auto-modification of the current DPTR after each MOVX @DPTR instruction |

The R8051XC2 contains an optional DPTR-related arithmetic unit. It provides auto-increment/auto-decrement by 1 or 2, and auto-switching between active DPTRs. These functions are controlled by the DPC Register, where there are separate DPC register bits for each DPTR, to provide high flexibility in data transfers. The DPC Register address 0x93 points to the window where the actual dpc is selected using the DPS Register, same as for the DPTR.

9.1.8 PROGRAM MEMORY PAGE SELECTOR REGISTER – PAGESEL

TABLE 9-11: PROGRAM MEMORY PAGE SELECTOR REGISTER

| PAGESEL (SFR 0X94 - RESET=0X01) | | | PROGRAM MEMORY PAGE SELECTOR REGISTER |
|------------------------------------|--------------|-----|--|
| BIT | NAME | R/W | DESCRIPTION |
| 7:2 | Reserved | R | Always read as 0 |
| 1:0 | pagesel[1:0] | R/W | Provides an additional address for program memory in banking scheme for memaddr[16:15] . Note that the default value is 1, to provide normal address generation (logical address of 8000h equals the physical address) when the PAGESEL Register is not written at all after reset. The value of 0 should not be used since it causes the banked area (logical address between 8000h-FFFFh) to overlap physically with the common bank (0000h-7FFFh). |

The program memory address bus (**memaddr**) can be extended up to 17 bits with the use of banking. When the CPU targets addresses between 0000h and 7FFFh, the additional bits of the address bus are always 0, as the lowest 32 kB is the common bank to store reset and interrupt vectors, and all common/shared/root subroutines. When the CPU address is higher than 7FFFh of the program memory, the 2-bit contents of the PAGESEL Register is placed into the **memaddr[16:15]** bits. The maximum number of pages is 4 (the common one at 0-32 kB, and 3 pages (banks) logically visible at addresses between 32 kB-64 kB).

Note: The 0 value of the PAGESEL Register should not be used since it leads to accessing the same physical area at logical address space 8000h-FFFFh as 0000h-7FFFh. This causes the banked area to overlap with the common bank.

9.1.9 DATA MEMORY PAGE SELECTOR REGISTER – D_PAGESEL

TABLE 9-12: DATA MEMORY PAGE SELECTOR REGISTER

| D_PAGESEL (SFR 0X95 - RESET=0X01) | | | DATA MEMORY PAGE SELECTOR REGISTER |
|--------------------------------------|----------------|-----|--|
| BIT | NAME | R/W | DESCRIPTION |
| 7:2 | Reserved | R | Always read as 0 |
| 1:0 | d_pagesel[1:0] | R/W | Provides an additional address for data memory in banking scheme. The default value is 1, to provide normal address generation (logical address of 8000h equals the physical address) when the D_PAGESEL Register is not written to after reset. The value of 0 should not be used since it causes the banked area (logical address between 8000h-FFFFh) to overlap physically with the common bank (0000h-7FFFh). |

The external data memory address bus (**memaddr**) can be extended up to 17 bits with the use of banking. When the CPU targets addresses between 0000h and 7FFFh, the additional bits of the address bus are always 0. When the CPU addresses higher than 7FFFh of the program memory, the 2-bit contents of the D_PAGESEL Register is placed onto the **memaddr[16:15]** bits. The maximum number of pages is 4 (the common one at 0-32 kB, and 3 pages (banks) logically visible at addresses between 32 kB-64 kB).

Note: The 0 value of the D_PAGESEL Register should not be used since it leads to accessing the same physical area at logical address space 8000h-FFFFh as 0000h-7FFFh. This causes the banked area to overlap with the common bank.

SEC1110/SEC1210

9.1.10 TIMER/COUNTER CONTROL REGISTER – TCON

The TCON Register reflects the current status of R8051XC2 Timer 0 and Timer 1 and it is used to control operation of these modules. The **tf0**, **tf1** (Timer 0 and Timer 1 overflow flags), **ie0** and **ie1** (External Interrupt 0 and 1 flags) will be automatically cleared by hardware when the corresponding service routine is called.

TABLE 9-13: TIMER/COUNTER CONTROL REGISTER

| TCON (SFR 0X88 - RESET=0X00) | | | TIMER/COUNTER CONTROL REGISTER |
|---------------------------------|------|-----|--|
| BIT | NAME | R/W | DESCRIPTION |
| 7 | tf1 | R/W | Timer 1 Overflow Flag: Set by hardware when Timer 1 overflows. This flag can be cleared by software and is automatically cleared when an interrupt is processed. |
| 6 | tr1 | R/W | Timer 1 Run Control: If cleared, Timer 1 stops. |
| 5 | tf0 | R/W | Timer 0 Overflow Flag: Set by hardware when Timer 0 overflows. This flag can be cleared by software and is automatically cleared when an interrupt is processed. |
| 4 | tr0 | R/W | Timer 0 Run Control: If cleared, Timer 0 stops. |
| 3 | ie1 | R/W | External Interrupt 1 Flag: Set by hardware when an external interrupt int1 (edge/level, depending on settings) is observed. It is cleared by hardware when an interrupt is processed. |
| 2 | it1 | R/W | External Interrupt 1 Type Control: If set, External Interrupt 1 is activated at falling edge on input pin. If cleared, External Interrupt 1 is activated at low level on input pin. |
| 1 | ie0 | R/W | External Interrupt 0 Flag: Set by hardware when an external interrupt int0 (edge/level, depending on settings) is observed. Cleared by hardware when interrupt is processed. |
| 0 | it0 | R/W | External Interrupt 0 Type Control: If set, External Interrupt 0 is activated at falling edge on input pin. If cleared, External Interrupt 0 is activated at low level on input pin. |

9.1.11 TIMER MODE REGISTER – TMOD

The TMOD Register is used in configuration of the R8051XC2 Timer 0 and Timer 1.

TABLE 9-14: TIMER MODE REGISTER

| TMOD (SFR 0X89 - RESET=0X00) | | | TIMER MODE REGISTER |
|---------------------------------|------|-----|---|
| BIT | NAME | R/W | DESCRIPTION |
| 7 | gate | R/W | Timer 1 Gate Control: If set, enables external gate control (pin int(1)) for Counter 1. When int(1) is high, and tr1 bit is set, the Counter 1 is incremented every falling edge on the t1 input pin. |
| 6 | c/t | R/W | Timer 1 Counter/Timer Select: Selects the timer or counter operation. When set to 1, a counter operation is performed; when cleared to 0, the Timer/Counter 1 will function as a timer. |
| 5 | m1 | R/W | Timer 1 Mode: Selects mode for Timer/Counter 1, as shown in Table 9-15 below. |
| 4 | m0 | | |
| 3 | gate | R/W | Timer 0 Gate Control: If set, enables external gate control (pin int(0)) for Counter 0. When int(0) is high, and tr0 bit is set, the Counter 0 is incremented every falling edge on the t0 input pin |
| 2 | c/t | R/W | Timer 0 Counter/Timer Select: Selects the timer or counter operation. When set to 1, a counter operation is performed; when cleared to 0, the Timer/Counter 0 will function as a timer. |
| 1 | m1 | R/W | Timer 0 Mode: Selects the mode for Timer/Counter 0, as shown in Table 9-15 below. |
| 0 | m0 | | |

TABLE 9-15: TIMER/COUNTER MODES

| M0 | M1 | MODE | FUNCTION |
|----|----|--------|---|
| 0 | 0 | Mode 0 | 13-bit Counter/Timer, with 5 lower bits in the TL0 (TL1) Register and 8 bits in TH0 (TH1) Register (for Timer 0 or Timer 1, respectively). Note, that unlike in the 80C51, the 3 high-order bits of TL0 (TL1) are zeroed whenever Mode 0 is enabled. |
| 0 | 1 | Mode 1 | 16-bit Counter/Timer |
| 1 | 0 | Mode 2 | 8-bit auto-reload counter/timer. The reload value is kept in TH0 (TH1), while TL0 (TL1) is incremented every machine cycle. When TL0 (TL1) overflows, a value from TH0 (TH1) is copied to TL0 (TL1). |
| 1 | 1 | Mode 3 | For Timer 1: Timer 1 is stopped. For Timer 0: Timer 0 acts as two independent 8-bit timers / counters – TL0, TH0. <ul style="list-style-type: none"> TL0 uses the Timer 0 control bits and sets the tf0 flag on overflow. TH0 operates as the timer, which is enabled by the tr1 bit and sets the tf1 flag on overflow. |

SEC1110/SEC1210

9.1.12 TIMER 0,1,2 – TH0, TL0, TH1, TL1, TH2, TL2

TABLE 9-16: TIMER 0, 1, AND 2 LOW BYTE

| TL0 (SFR 0X8A - RESET=0X00) TL1 (SFR 0X8B - RESET=0X00) TL2 (SFR 0XCC - RESET=0X00) | | | TIMER 0/1/2 LOW BYTE | |
|---|-----------------------------|-----|-----------------------------------|--|
| BIT | NAME | R/W | DESCRIPTION | |
| 7:0 | TL0[7:0]/TL1[7:0]/ TL2[7:0] | R/W | Timer 0/ Timer 1/Timer 2 Low Byte | |

TABLE 9-17: TIMER 0, 1, AND 2 HIGH BYTE

| TH0 (SFR 0X8C - RESET=0X00) TH1 (SFR 0X8D - RESET=0X00) TH2 (SFR 0XCD - RESET=0X00) | | | TIMER 0/1/2 HIGH BYTE | |
|---|--------------------|-----|------------------------------------|--|
| BIT | NAME | R/W | DESCRIPTION | |
| 7:0 | TH0[7:0]/ TH1[7:0] | R/W | Timer 0/ Timer 1/Timer 2 High Byte | |

- TH0, TL0 registers reflect the state of Timer 0. TH0 holds higher byte and TL0 holds lower byte.
- Timer 0 can be configured to operate as either a timer or counter.
- TH1, TL1 registers reflect the state of Timer 1. TH1 holds the higher byte and TL1 holds the lower byte.
- Timer 1 can be configured to operate as either a timer or counter.
- TH2, TL2 registers reflect the state of Timer 2. TH2 holds the higher byte and TL2 holds the lower byte.
- Timer 2 can be configured to operate in compare, capture or reload modes.

9.1.13 TIMER 2 CONTROL REGISTER – T2CON

The T2CON Register reflects the current status of the R8051XC2 Timer 2 and is used to control Timer 2 operation.

TABLE 9-18: TIMER 2 CONTROL REGISTER

| T2CON (SFR 0XC8 - RESET=0X00) | | | TIMER 2 CONTROL REGISTER | |
|---|------|-----|---|--|
| BIT | NAME | R/W | DESCRIPTION | |
| 7 | t2ps | R/W | Prescaler Select: 0 : Timer 2 is clocked with 1/12 of the oscillator frequency. 1 : Timer 2 is clocked with 1/24 of the oscillator frequency. | |
| 6 | i3fr | R/W | Active edge selection for external interrupt "int3", (used also as a compare and capture signal): 0 : Falling edge 1 : Rising edge | |
| 5 | i2fr | R/W | Active edge selection for external interrupt "int2": 0 : Falling edge 1 : Rising edge | |

TABLE 9-18: TIMER 2 CONTROL REGISTER (CONTINUED)

| T2CON (SFR 0XC8 - RESET=0X00) | | | TIMER 2 CONTROL REGISTER |
|----------------------------------|------|-----|---|
| BIT | NAME | R/W | DESCRIPTION |
| 4 | t2r1 | R/W | Timer 2 Reload Mode Selection: 0x : Reload disabled 10 : Mode 0 11 : Mode 1 |
| 3 | t2r0 | | |
| 2 | t2cm | R/W | Timer 2 Compare Mode Selection: 0 : Mode 0 1 : Mode 1 |
| 1 | t2i1 | R/W | Timer 2 Input Selection (t2i1, t2i0): 00 : Timer 2 stopped 01 : Input frequency f/12 or f/24 10 : Timer 2 is incremented by falling edge detection at pin "t2". 11 : Input frequency f/12 or f/24 gated by external pin "t2". |
| 0 | t2i0 | | |

9.1.14 TIMER 2 COMPARE/CAPTURE ENABLE REGISTER – CCEN

The CCEN Register serves as a configuration register for the compare/capture unit associated with the Timer 2.

TABLE 9-19: TIME 2 COMPARE/CAPTURE ENABLE REGISTER

| CCEN (SFR 0XC1 - RESET=0X00) | | | TIMER 2 CCEN REGISTER |
|---------------------------------|--------|-----|---|
| BIT | NAME | R/W | DESCRIPTION |
| 7 | cocah3 | R/W | Compare/Capture Mode for the CC3 Register: 00 : Compare/capture disabled 01 : Capture on rising edge at pin TIMER2_CC0 10 : Compare enabled 11 : Capture on write operation into register CC3 |
| 6 | cocal3 | | |
| 5 | cocah2 | R/W | Compare/Capture Mode for the CC2 Register: 00 : Compare/capture disabled 01 : Capture on rising edge at pin TIMER2_CC1 10 : Compare enabled 11 : Capture on write operation into register CC2 |
| 4 | cocal2 | | |
| 3 | cocah1 | R/W | Compare/Capture Mode for the CC1 Register: 00 : Compare/capture disabled 01 : Capture on rising edge at pin TIMER2_CC2 10 : Compare enabled 11 : Capture on write operation into register CC1 |
| 2 | cocal1 | | |
| 1 | cocah0 | R/W | Compare/Capture Mode for CRC Register 00 : Compare/capture disabled 01 : Capture on falling/rising edge at pin TIMER2_CC3 (not used) 10 : Compare enabled 11 : Capture on write operation into register CRCL |
| 0 | cocal0 | | |

SEC1110/SEC1210

9.1.15 TIMER 2 COMPARE/CAPTURE REGISTERS – CC1, CC2, CC3

TABLE 9-20: TIMER 2 COMPARE/CAPTURE REGISTERS LOW BYTE

| CCL1 (SFR 0XC2 - RESET=0X00) CCL2 (SFR 0XC4 - RESET=0X00) CCL3 (SFR 0XC6 - RESET=0X00) | | | TIMER 2 COMPARE/CAPTURE 1,2,3 LOW BYTE |
|--|---------------------------------|-----|---|
| BIT | NAME | R/W | DESCRIPTION |
| 7:0 | CCL1[7:0]/ CCL2[7:0]/ CCL3[7:0] | R/W | Timer 2 Compare/Capture Register Low Byte |

TABLE 9-21: TIMER 2 COMPARE/CAPTURE REGISTERS HIGH BYTE

| CCH1 (SFR 0XC3 - RESET=0X00) CCH2 (SFR 0XC5 - RESET=0X00) CCH3 (SFR 0XC7 - RESET=0X00) | | | TIMER 2 COMPARE/CAPTURE 1,2,3 HIGH BYTE |
|--|---------------------------------|-----|--|
| BIT | NAME | R/W | DESCRIPTION |
| 7:0 | CCH1[7:0]/ CCH2[7:0]/ CCH3[7:0] | R/W | Timer 2 Compare/Capture Register High Byte |

Compare/Capture Registers (CC1, CC2, CC3) are 16-bit registers used in the operation of the compare/capture unit associated with Timer 2. CCHn holds the higher byte and CCLn holds the lower byte of the CCn Register.

9.1.16 TIMER 2 COMPARE/CAPTURE REGISTERS – CRCH, CRCL

Compare/Capture Registers (CRCH, CRCL) are 16-bit registers used in the operation of the compare/capture unit associated with the Timer 2. CRCH holds higher byte and CRCL holds lower byte.

TABLE 9-22: TIMER 2 COMPARE/CAPTURE REGISTERS

| CRCL (SFR 0XCA - RESET=0X00) | | | TIMER 2 COMPARE/CAPTURE 1,2,3 LOW BYTE |
|--|-----------|-----|---|
| BIT | NAME | R/W | DESCRIPTION |
| 7:0 | CRCL[7:0] | R/W | Timer 2 Compare/Capture Register Low Byte |

TABLE 9-23: TIMER 2 COMPARE/CAPTURE REGISTER

| CRCH (SFR 0XCB - RESET=0X00) | | | TIMER 2 COMPARE/CAPTURE 1,2,3 HIGH BYTE |
|--|-----------|-----|--|
| BIT | NAME | R/W | DESCRIPTION |
| 7:0 | CRCH[7:0] | R/W | Timer 2 Compare/Capture Register High Byte |

9.1.17 WATCHDOG TIMER RELOAD REGISTER – WDTREL

The WDTREL Register holds the reload value of 7 high-order bits of the watchdog timer. It also configures the frequency prescaler for the watchdog timer.

TABLE 9-24: WATCHDOG TIMER RELOAD REGISTER

| WDTREL (SFR 0X86 - RESET=0X00) | | | DATA POINTER LOW |
|-----------------------------------|-------------|-----|---|
| BIT | NAME | R/W | DESCRIPTION |
| 7 | WDTREL7 | R/W | Prescaler Select: When set, the watchdog is clocked through an additional divide-by-16 prescaler. |
| 6:0 | WDTREL[6:0] | R/W | Watchdog Reload Value: Reload value for the highest 7 bits of the watchdog timer. This value is loaded to the watchdog timer when a refresh is triggered by a consecutive setting of bits IEN0.wdt and IEN1.swdt . |

9.1.18 INTERRUPT ENABLE 0 REGISTER – IEN0

TABLE 9-25: INTERRUPT ENABLE 0 REGISTER

| IEN0 (SFR 0XA8 - RESET=0X00) | | | INTERRUPT ENABLE 0 REGISTER |
|---------------------------------|------|-----|--|
| BIT | NAME | R/W | DESCRIPTION |
| 7 | eal | R/W | Interrupts Enable: When set to 0 – all interrupts are disabled. Otherwise enabling each interrupt is done by setting the corresponding interrupt enable bit. |
| 6 | wdt | R/W | Watchdog Timer Refresh Flag: Set to initiate a refresh of the watchdog timer. This bit must be set directly before IEN1.swdt is set to prevent an unintentional refresh of the watchdog timer. The wdt bit is cleared by hardware after the next instruction executed after the one that had set this bit. Therefore, a watchdog refresh can only be done by sequentially setting wdt followed by swdt . |
| 5 | et2 | R/W | Timer 2 Interrupt Enable: et2=0 : Timer 2 Interrupt is disabled. et2=1 : and eal=1 Timer 2 Interrupt is enabled. |
| 4 | es0 | R/W | 16550 Serial Port 0 Interrupt Enable: es0=0 : Serial Port 0 Interrupt is disabled. es0=1 and eal=1 : Serial Port 0 Interrupt is enabled. |
| 3 | et1 | R/W | Timer 1 Overflow Interrupt Enable: et1=0 : Timer 1 Overflow Interrupt is disabled. et1=1 and eal=1 : Timer 1 Overflow Interrupt is enabled. |
| 2 | ex1 | R/W | External Interrupt 1 Enable (GPIO Ports 0,1,2): ex1=0 : External Interrupt 1 is disabled. ex1=1 and eal=1 : External Interrupt 1 is enabled. |

SEC1110/SEC1210

TABLE 9-25: INTERRUPT ENABLE 0 REGISTER (CONTINUED)

| IEN0 (SFR 0XA8 - RESET=0X00) | | | INTERRUPT ENABLE 0 REGISTER |
|---------------------------------|------|-----|--|
| BIT | NAME | R/W | DESCRIPTION |
| 1 | et0 | R/W | Timer 0 Overflow Interrupt Enable: et0=0 : Timer 0 Overflow Interrupt is disabled. et0=1 and eal=1 : Timer 0 Overflow Interrupt is enabled. |
| 0 | ex0 | R/W | External Interrupt 0 Enable (or of all interrupts except GPIOs) ex0=0 : External Interrupt 0 is disabled. ex0=1 : and eal=1 External Interrupt 0 is enabled. |

9.1.19 INTERRUPT ENABLE 1 REGISTER – IEN1

TABLE 9-26: INTERRUPT ENABLE 1 REGISTER

| IEN1 (SFR 0XB8 - RESET=0X00) | | | INTERRUPT ENABLE 1 REGISTER |
|---------------------------------|-------|-----|---|
| BIT | NAME | R/W | DESCRIPTION |
| 7 | exen2 | R/W | Timer 2 External Reload Interrupt Enable: exen2=0 : Timer 2 External Reload Interrupt 2 is disabled. exen2=1 and eal=1 : Timer 2 External Reload Interrupt 2 is enabled. |
| 6 | swdt | R/W | Watchdog Timer Start/Refresh Flag: set to activate/refresh the watchdog timer. When set directly after setting IEN0.wdt , a watchdog timer refresh is performed. This bit is immediately cleared by hardware. |
| 5 | ex6 | R/W | External Interrupt 6 Enable (Power Status Event): ex6=0 : External Interrupt 6 is disabled. ex6=1 and eal=1 : External Interrupt 6 is enabled. |
| 4 | ex5 | R/W | External Interrupt 5 Enable (USB): ex5=0 : External Interrupt 5 is disabled. ex5=1 and eal=1 : External Interrupt 5 is enabled. |
| 3 | ex4 | R/W | External Interrupt 4 Enable (Endpoint 4): ex4=0 : External Interrupt 4 is disabled. ex4=1 and eal=1 : External Interrupt 4 is enabled. |
| 2 | ex3 | R/W | External Interrupt 3 Enable (Endpoint 3): ex3=0 : External Interrupt 3 is disabled. ex3=1 and eal=1 : External Interrupt 3 is enabled. |
| 1 | ex2 | R/W | External Interrupt 2 Enable (SPI1): ex2=0 : External Interrupt 2 is disabled. ex2=1 and eal=1 : External Interrupt 2 is enabled. |
| 0 | ex7 | R/W | External Interrupt 7 Enable (Interrupt not connected to any source) |

9.1.20 INTERRUPT ENABLE 2 REGISTER – IEN2

TABLE 9-27: INTERRUPT ENABLE 2 REGISTER

| IEN2 (SFR 0X9A - RESET=0X00) | | | INTERRUPT ENABLE 2 REGISTER |
|---------------------------------|----------|-----|--|
| BIT | NAME | R/W | DESCRIPTION |
| 7:6 | Reserved | R | Always read as 0 |
| 5 | ex12 | R/W | External Interrupt 12 Enable (Smart Card 1 or 2): ex12=0 : External Interrupt 12 is disabled. ex12=1 and eal=1 : External Interrupt 12 is enabled. |
| 4 | ex11 | R/W | External Interrupt 11 Enable (Endpoint 0): ex11=0 : External Interrupt 11 is disabled. ex11=1 and eal=1 : External Interrupt 11 is enabled. |
| 3 | ex10 | R/W | External Interrupt 10 Enable (Endpoint 5): ex10=0 : External Interrupt 10 is disabled. ex10=1 and eal=1 : External Interrupt 10 is enabled. |
| 2 | ex9 | R/W | External Interrupt 9 Enable (Endpoint 2): ex9=0 : External Interrupt 9 is disabled. ex9=1 and eal=1 : External Interrupt 9 is enabled. |
| 1 | ex8 | R/W | External Interrupt 8 Enable (Endpoint 1): ex8=0 : External Interrupt 8 is disabled. ex8=1 and eal=1 : External Interrupt 8 is enabled. |
| 0 | Reserved | R | Always read as 0 |

SEC1110/SEC1210

9.1.21 INTERRUPT PRIORITY REGISTERS – IP0, IP1

The 18 interrupt sources are grouped into 6 priority groups. For each of the groups, one of four priority levels can be selected. It is achieved by setting appropriate values in the IP0 and IP1 registers.

The contents of the interrupt priority registers define the priority levels for each interrupt source according to the tables below.

TABLE 9-28: INTERRUPT PRIORITY 0 REGISTER

| IP0 (SFR 0XA9 - RESET=0X00) | | | INTERRUPT PRIORITY 0 REGISTER |
|--------------------------------|----------|-----|---|
| BIT | NAME | R/W | DESCRIPTION |
| 7 | Reserved | R/W | Always read as 0 |
| 6 | wdts | R/W | Watchdog Timer Status Flag: This bit is not set by hardware when the watchdog timer reset occurs. If the RESET_SRC_WDOG bit in the CLKPWR_TEST4 Register is set, it indicates that the chip reset was due to a watchdog timer reset. |
| 5:0 | - | R/W | Interrupt Priority: Each bit together with the corresponding bit from the IP1 Register specifies the priority level of the respective interrupt priority group. |

TABLE 9-29: INTERRUPT PRIORITY 1 REGISTER

| IP1 (SFR 0XB9 - RESET=0X00) | | | INTERRUPT PRIORITY 1 REGISTER |
|--------------------------------|----------|-----|--|
| BIT | NAME | R/W | DESCRIPTION |
| 7:6 | Reserved | R/W | Always read as 0 |
| 5:0 | - | R/W | Interrupt Priority: Each bit together with the corresponding bit from the IP0 Register specifies the priority level of the respective interrupt priority group. |

TABLE 9-30: PRIORITY GROUPS

| GROUP | CORRESPONDING INTERRUPT BITS | INTERRUPTS IN EACH GROUP | | | |
|-------|------------------------------|---|--|----------|---|
| 0 | IP1.0, IP0.0 | Ext Interrupt 0 - or of all interrupts except GPIOs | | | Ext Interrupt 7 - Reserved |
| 1 | IP1.1, IP0.1 | Timer 0 Interrupt | External Interrupt 8 - Endpoint 1 | | External Interrupt 2 - SPI1 Interrupt |
| 2 | IP1.2, IP0.2 | External Interrupt 1 - GPIO port 0,1 | External Interrupt 9 - Endpoint 2 | | External Interrupt 3 - Endpoint 3 |
| 3 | IP1.3, IP0.3 | Timer 1 Interrupt | External Interrupt 10 - Endpoint 5 | | External Interrupt 4 - Endpoint 4 |
| 4 | IP1.4, IP0.4 | 16550 UART Interrupt | External Interrupt 11 - Endpoint 0 | | External Interrupt 5 - USB Interrupt |
| 5 | IP1.5, IP0.5 | Timer 2 Interrupt | External Interrupt 12 - Smart Card 1/2 | Reserved | External Interrupt 6 - Power Status Event |

TABLE 9-31: PRIORITY LEVELS

| IP1.X | IP0.X | PRIORITY LEVEL |
|-------|-------|-------------------|
| 0 | 0 | Level 0 (lowest) |
| 0 | 1 | Level 1 |
| 1 | 0 | Level 2 |
| 1 | 1 | Level 3 (highest) |

Note: X represents the priority group

9.1.22 POWER CONTROL REGISTER – PCON

TABLE 9-32: POWER CONTROL REGISTER

| PCON (SFR 0X87 - RESET=0X08) | | | POWER CONTROL REGISTER |
|---------------------------------|--------|-----|---|
| BIT | NAME | R/W | DESCRIPTION |
| 7 | smod | R/W | This bit is not used. |
| 6 | wdt_tm | R/W | Watchdog Timer Test Mode Flag: When set to 1, the fclk/12 divider at the input of the watchdog timer is skipped. |
| 5 | isr_tm | R/W | Interrupt Service Routine Test Mode Flag: When set to 1, the interrupt vectors assigned to Timer 0 and 1, Serial Port 0 and 1, and SPI interfaces can be triggered only with the use of external inputs of the core. |
| 4 | pmw | R/W | Program Memory Write Mode: Setting this bit enables the Program Memory Write Mode. |
| 3 | p2sel | R/W | This bit is not used. |
| 2 | gf0 | R/W | General Purpose Flag |
| 1 | stop | R/W | STOP Mode Control: Setting this bit activates the STOP Mode. This bit is always read as 0. |
| 0 | idle | R/W | Idle Mode Control: Setting this bit activates the IDLE Mode. This bit is always read as 0. |

9.1.22.1 pmw

The MOVX instructions perform one of two actions depending on the state of **pmw** bit (**PCON.4**). The **pmw** bit selects the standard or advanced behavior of the microcontroller during execution of MOVX instruction.

When the **pmw** is cleared or after reset, MOVX instructions allow read/write access to external data memory space. The software can set the **pmw** bit to enable access to program memory space. Once **pmw** is set, MOVX data memory instructions become MOVX program memory instructions with 8 or 16-bit addressing modes. The software clears **pmw** to switch back to normal MOVX behavior.

Setting or clearing **pmw** does not influence the execution of MOVC instruction and it does not change the behavior of program memory reading.

9.1.22.2 CPU_IDLE

When the CPU_IDLE Mode is invoked, the ISR and other peripherals are clocked normally and interrupts are generated normally. Therefore the irq signal coming from the ISR module can directly wake-up the CPU from CPU_IDLE Mode.

SEC1110/SEC1210

9.1.22.3 CPU_STOP

When the CPU_STOP Mode is invoked, neither the clkcpu nor clkper are working. The ISR module can't generate an interrupt since no peripherals are working. The only interrupts that may be accepted in the CPU_STOP Mode are External Interrupt 0 and 1. Hence before entering STOP Mode, the software must activate interrupts for the expected GPIO port 0/1/2 interrupts (or USB Interrupt due to resume). An interrupt event would enable the clocks clkcpu, clkper to continue CPU processing.

9.1.23 SOFTWARE RESET REGISTER – SRST

TABLE 9-33: SOFTWARE RESET REGISTER

| SRST (SFR 0XF7 - RESET=0X00) | | | SOFTWARE RESET REGISTER |
|---------------------------------|----------|-----|--|
| BIT | NAME | R/W | DESCRIPTION |
| 7:1 | Reserved | R | Always read as 0 |
| 0 | srstreq | R/W | Software Reset Request: Writing a 0 to this bit will have no effect. Single writing a 1 value to this bit will have no effect. Double writing 1 value (in two consecutive instructions) will generate an internal software reset. Reading this bit will NOT provide feedback about the reset source. The RESET_SRC_SRST bit in the CLKPWR_TEST4 Register if one indicates that the chip reset was due to software reset request. |

9.1.24 SPI1 SERIAL PERIPHERAL STATUS REGISTER – SPSTA

TABLE 9-34: SPI1 SERIAL PERIPHERAL STATUS REGISTER

| SPSTA (SFR 0XE1 - RESET=0X00) | | | SERIAL PERIPHERAL (SPI1) STATUS REGISTER |
|----------------------------------|-------|-----|--|
| BIT | NAME | R/W | DESCRIPTION |
| 7 | spif | R | Serial Peripheral Data Transfer Flag: Set by hardware upon data transfer completion. Cleared by hardware when data transfer is in progress. Can also be cleared by reading the SPSTA.spif bit set, and then reading the SPDAT Register. |
| 6 | wcol | R | Write Collision Flag: Set by hardware upon write collision to SPDAT. Cleared by hardware upon data transfer completion when no collision has occurred. Can be also cleared by an access to the SPSTA Register and an access to SPDAT Register. |
| 5 | sserr | R | Synchronous Serial Slave Error Flag: Set by hardware when SPI1_CE input is de-asserted before the end of receive sequence. Cleared by disabling the SPI1 module (clearing the SPCON.spen bit). |

TABLE 9-34: SPI1 SERIAL PERIPHERAL STATUS REGISTER

| SPSTA (SFR 0XE1 - RESET=0X00) | | | SERIAL PERIPHERAL (SPI1) STATUS REGISTER |
|----------------------------------|----------|-----|---|
| BIT | NAME | R/W | DESCRIPTION |
| 4 | modf | R | Mode Fault Flag: Set by hardware when the SPI1_CE pin level is in conflict with the actual mode of the SPI_MS controller (configured as Master while externally selected as Slave). Cleared by hardware when the ssn pin is at appropriate level. Can be also cleared by software by reading the SPSTA Register with modf set. |
| 3:0 | Reserved | R | Always read as 0 |

The SPSTA Register contains flags to signal data transfer complete, write collision, and inconsistent logic level on **SPI1_CE** (Slave select) pin (mode fault error).

9.1.25 SPI1 SERIAL PERIPHERAL CONTROL REGISTER – SPCON

The Serial Peripheral Control Register is used to configure the SPI module. It selects the Master clock rate, selects the serial clock polarity and phase, enables the **SPI1_CE** input, and enables/disables the whole SPI1 module.

TABLE 9-35: SPI1 SERIAL PERIPHERAL CONTROL REGISTER

| SPCON (SFR 0XE2 - RESET=0X14) | | | SERIAL PERIPHERAL (SPI1) CONTROL REGISTER |
|----------------------------------|----------|-----|---|
| BIT | NAME | R/W | DESCRIPTION |
| 7 | spr2 | R/W | Serial Peripheral Rate 2: Together with spr[1:0] defines the clock rate in Master Mode. |
| 6 | spen | R/W | Serial Peripheral Enable: When cleared, disables the SPI1 Interface. When set enables the SPI1 Interface. |
| 5 | ssdis | R/W | SS Disable: When cleared enables the SPI1_CE input. When set disables the SPI1_CE input. When ssdis is set, no SPSTA.modf interrupt request will be generated. |
| 4 | mstr | R/W | Serial Peripheral Master: When set configures the SPI1 as a Master. |
| 3 | cpol | R/W | Clock Polarity: When cleared, the SPI1_CLK is set to 0 in idle state. When set, the SPI1_CLK is set to 1 in idle state. |
| 2 | cpha | R/W | Clock Phase: When cleared, data is sampled when the SPI1_CLK leaves the idle state (see SPCON.cpol). When set, data is sampled when the SPI1_CLK returns to idle state (see SPCON.cpol). |
| 1:0 | spr[1:0] | R/W | Serial Peripheral Rate: Together with spr2 specify the serial clock rate in Master Mode. |

SEC1110/SEC1210

TABLE 9-36: SPI1 TRANSFER RATE

| SPR2 | SPR1 | SPR0 | SERIAL PERIPHERAL RATE (SPI1_RATE) |
|------|------|------|---|
| 0 | 0 | 0 | spi1_clk/2 |
| 0 | 0 | 1 | spi1_clk/4 |
| 0 | 1 | 0 | spi1_clk/8 |
| 0 | 1 | 1 | spi1_clk/16 |
| 1 | 0 | 0 | spi1_clk/32 |
| 1 | 0 | 1 | spi1_clk/64 |
| 1 | 1 | 0 | spi1_clk/128 |
| 1 | 1 | 1 | The Master clock is not generated (when SPCON.cpol =1, the SPI1_CLK output is high level, otherwise is low level) |

9.1.26 SPI1 SERIAL PERIPHERAL DATA REGISTER – SPDAT

The SPDAT Register is a read/write buffer for the “receive data” register. While writing to the SPDAT, data is placed directly into the shift register (there is no transmit buffer).

TABLE 9-37: SPI1 SERIAL PERIPHERAL DATA REGISTER

| SPDAT (SFR 0XE3 - RESET=0X00) | | | SERIAL PERIPHERAL (SPI1) DATA REGISTER |
|----------------------------------|------------|-----|---|
| BIT | NAME | R/W | DESCRIPTION |
| 7:0 | spdat[7:0] | R/W | Serial Peripheral Data: Reading returns the value located in the receive buffer, not the shift register. |

9.2 Special Function Registers Summary

The R8051XC can access up to 128 Special Function Registers. These registers can only be accessed directly.

TABLE 9-38: SPECIAL FUNCTION REGISTERS SUMMARY

| REGISTER | ADDRESS | DEFAULT | DESCRIPTION |
|----------|---------|---------|--------------------------------|
| SP | 81h | 07h | Stack Pointer |
| DPL | 82h | 00h | Data Pointer 0 Low |
| DPH | 83h | 00h | Data Pointer 0 High |
| DPL1 | 84h | 00h | Data Pointer 1 Low |
| DPH1 | 85h | 00h | Data Pointer 1 High |
| WDTREL | 86h | 00h | Watchdog Timer Reload Register |
| PCON | 87h | 00h | Power Control |
| TCON | 88h | 00h | Timer/Counter Control Register |
| TMOD | 89h | 00h | Timer Mode Register |
| TL0 | 8Ah | 00h | Timer 0, Low Byte |
| TL1 | 8Bh | 00h | Timer 1, Low Byte |
| TH0 | 8Ch | 00h | Timer 0, High Byte |
| TH1 | 8Dh | 00h | Timer 1, High Byte |
| DPS | 92h | 00h | Data Pointer Select Register |

TABLE 9-38: SPECIAL FUNCTION REGISTERS SUMMARY (CONTINUED)

| REGISTER | ADDRESS | DEFAULT | DESCRIPTION |
|-----------|---------|---------|---|
| DPC | 93h | 00h | Data Pointer Control Register |
| PAGESEL | 94h | 01h | Program Memory Page Selector |
| D_PAGESEL | 95h | 01h | External Data Page Selector |
| IEN2 | 9Ah | 00h | Interrupt Enable Register 2 |
| IEN0 | A8h | 00h | Interrupt Enable Register 0 |
| IP0 | A9h | 00h | Interrupt Priority Register 0 |
| IP/IEN1 | B8h | 00h | Interrupt Priority Register/Enable Register 1 |
| IP1 | B9h | 00h | Interrupt Priority Register 1 |
| CCEN | C1h | 00h | Compare/Capture Enable Register |
| CCL1 | C2h | 00h | Compare/Capture Registers – CC1 Low Byte |
| CCH1 | C3h | 00h | Compare/Capture Registers – CC1 High Byte |
| CCL2 | C4h | 00h | Compare/Capture Registers – CC2 Low Byte |
| CCH2 | C5h | 00h | Compare/Capture Registers – CC2 High Byte |
| CCL3 | C6h | 00h | Compare/Capture Registers – CC3 Low Byte |
| CCH3 | C7h | 00h | Compare/Capture Registers – CC3 High Byte |
| T2CON | C8h | 00h | Timer 2 Control Register |
| CRCL | CAh | 00h | Compare/Capture Registers – CRC Low Byte |
| CRCH | CBh | 00h | Compare/Capture Registers – CRC High Byte |
| TL2 | CCh | 00h | Timer 2, Low Byte |
| TH2 | CDh | 00h | Timer 2, High Byte |
| PSW | D0 | 00h | Program Status Word |
| IEN4 | D1h | 00h | Interrupt Enable Register 4 |
| ACC | E0h | 00h | Accumulator |
| SPSTA | E1h | 00h | Serial Peripheral Status Register |
| SPCON | E2h | 14h | Serial Peripheral Control Register |
| SPDAT | E3h | 00h | Serial Peripheral Data Register |
| B | F0 | 00h | B Register |
| SRST | F7h | 00h | Software Reset Register |

SEC1110/SEC1210

10.0 SMART CARD INTERFACE

The SEC1110 provides one Smart Card Interface based on the ISO/IEC 7816 Standard, while the SEC1210 provides two interfaces. The SEC1210, however, provides only one shared Packet FIFO. Hence, only one of the Smart Cards can transfer data at any point of time, though both may be active and operational.

10.1 Interconnect to Smart Card Terminal

FIGURE 10-1: SMART CARD 1 INTERCONNECT

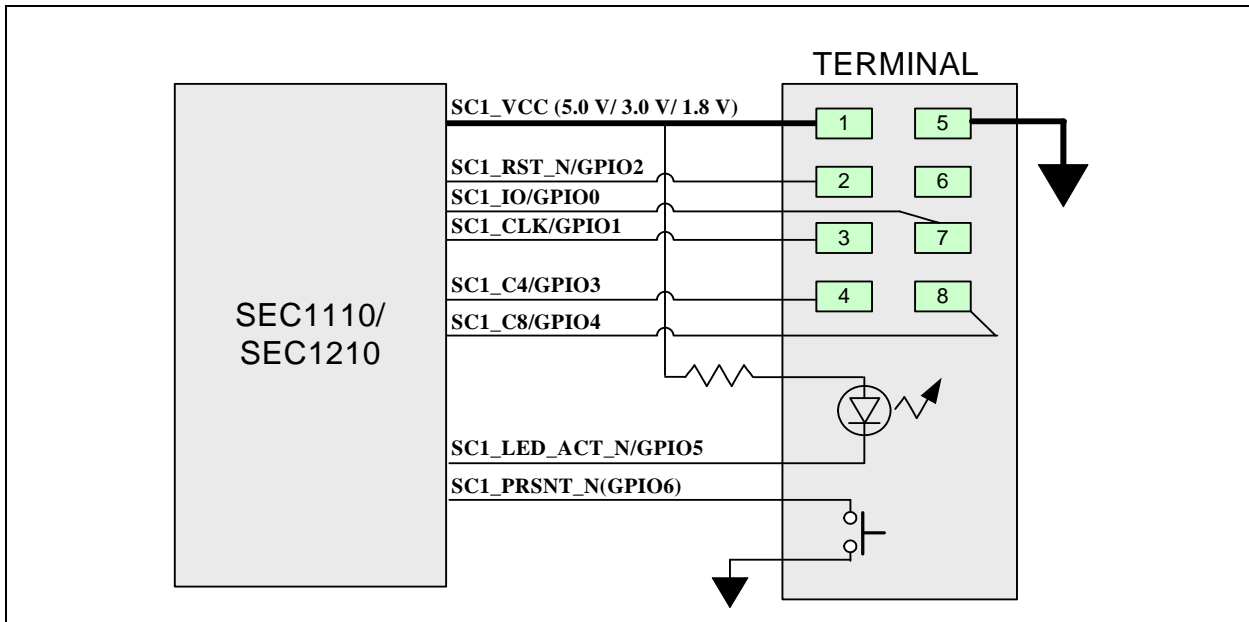
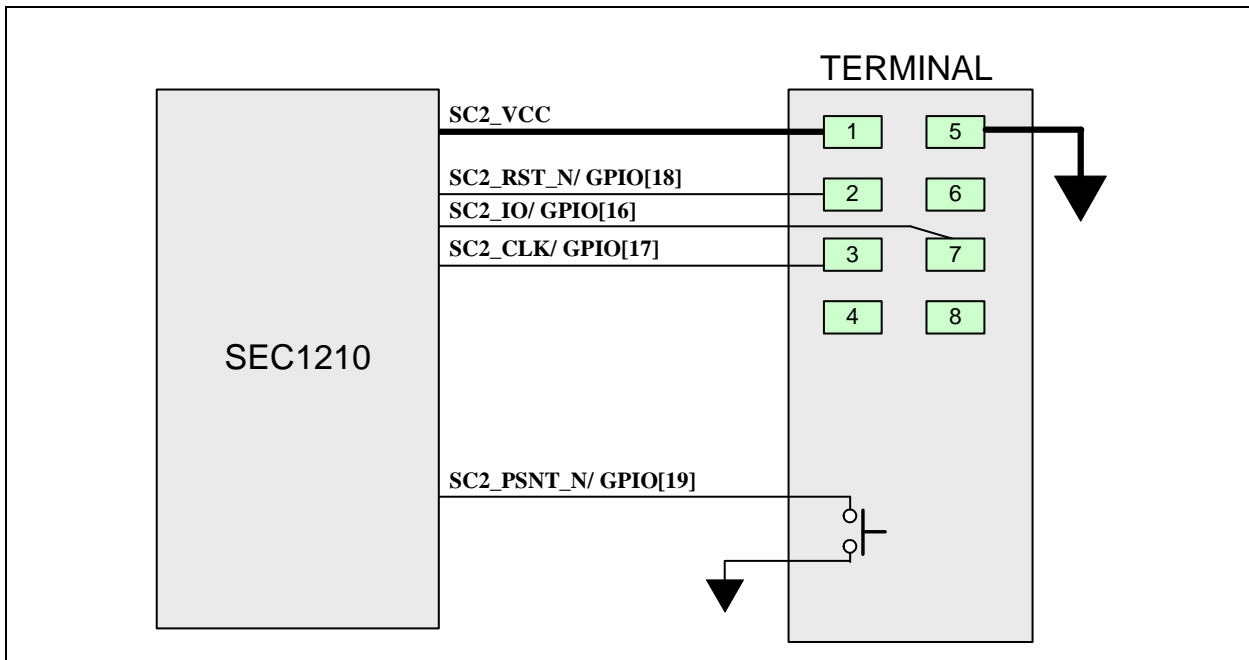


FIGURE 10-2: S.A.M INTERFACE (SMART CARD 2)

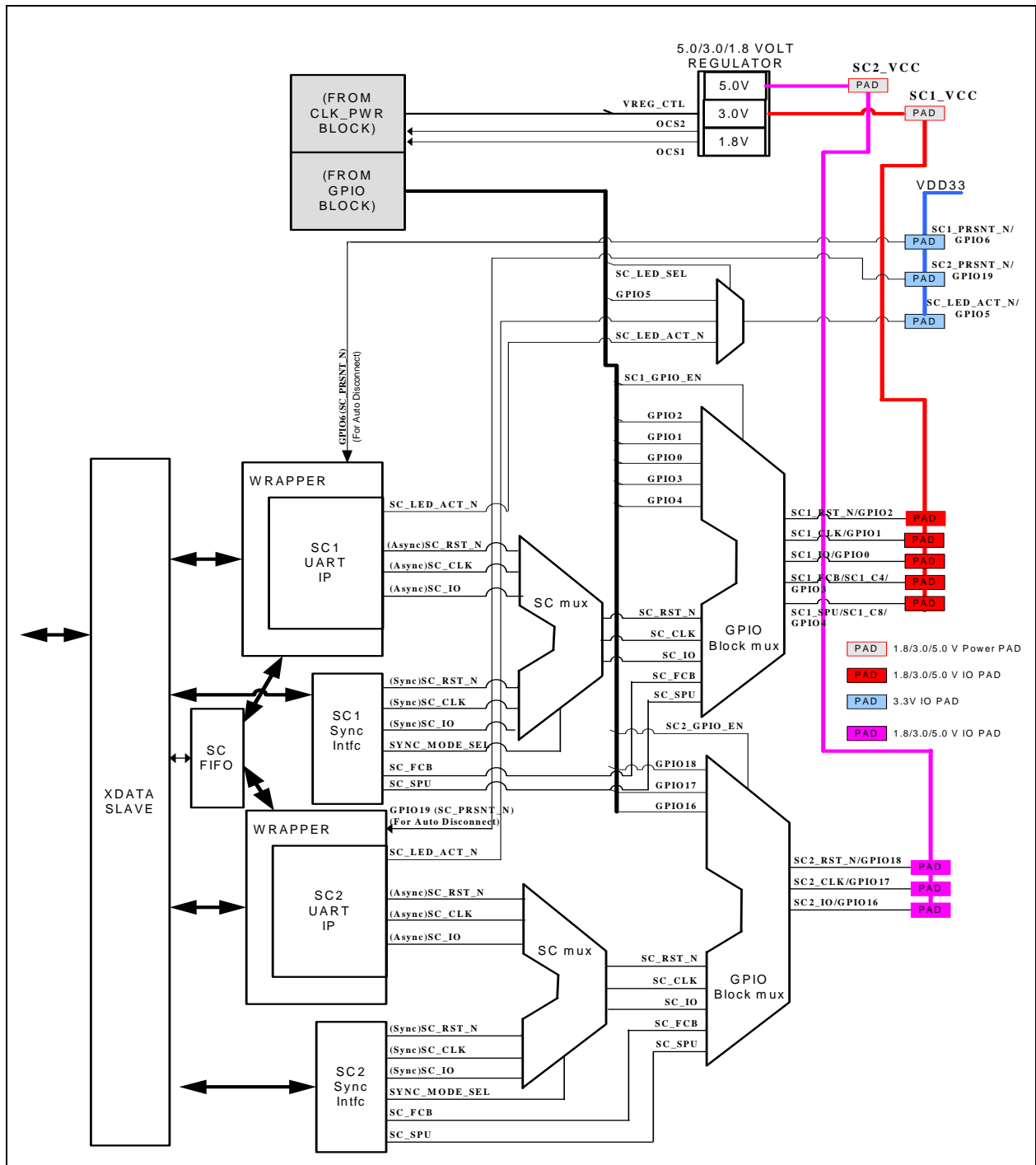


10.2 Top Level of the Smart Card Interface

The Smart Card interface can alternatively be used as GPIOs. The synchronous ISO/IEC 7816-10 is supported by this block by bit-addressable GPIOs (controls in the SC1 and SC2), or it can be configured to output the signals from the GPIO block itself.

The muxing of the signals of the three different interfaces is shown in the figure below. The selection of whether the GPIOs or the Smart Card logic controls the pins is controlled by auxiliary registers in GPIO block.

FIGURE 10-3: SMART CARD1,2 INTERCONNECT



10.3 General Description

The Smart Card Interface serves as the core of a Terminal, or Interface Device (IFD), which communicates with an insertable Smart Card, also called an Integrated Circuit Card (ICC).

The Smart Card interface is a UART-like interface that supports the ISO 7816 asynchronous protocols named T=0 and T=1. It transmits and receives serial data via the **SC_x_IO** (x is 1 or 2) signal pin. Each byte transmitted or received is transferred as a character with a start bit, 8 data bits, a parity bit, and an amount of Guard Time (stop bits) that depends on the protocol used and the declared characteristics of the card.

To initiate communication with the Smart Card, the Smart Card must be inserted into the terminal device. A mechanical or electrical sensor will detect this event, pulling the **SC_x_PRSNT_N**(**GPIO6** or **GPIO19**) pin low to indicate that the electrical contacts are seated. The insertion of the card will cause a **GPIO6** or **GPIO19** Interrupt after the debounce period. If the system is in suspend state, the GPIO transition will cause the system to be woken up first, followed by the interrupt to the processor.

Once it is established that a Smart Card is present, firmware will use the **VREG_CTL** Register to apply power to the card. Once the interface is powered, the terminal can initiate communication with the Smart Card by driving the **SC_x_RST_N** pin low. There are two types of resets: a cold reset and a warm reset. The cold reset sequence is used immediately after power is applied to the interface: it generates the **SC_x_CLK** output, sets the **SC_x_IO** pin as an input with a weak pull-up, and keeps the **SC_x_RST_N** pin low (its initial state) for a defined period of time after the clock starts running. The warm reset only affects the **SC_x_RST_N** pin, which is pulled low for a defined period of time: it requires that the interface already be powered and a steady clock be already applied to the card. Bits have been provided in the **SC_ICR** Register that may be controlled by software to initiate these sequences. When either of these resets terminates (**SC_x_RST_N** going high) the Smart Card will return a sequence of characters called the Answer to Reset (ATR) message as defined by ISO 7816-3. The Smart Card is required to respond to a reset sequence as shown in the cold reset and warm reset timing diagrams (see [Figure 10-10](#) and [FIGURE 10-11: on page 62](#)).

The first character of the ATR message, called TS, is interpreted by hardware in the SEC1110 and SEC1210, determining the bit encoding convention used by the card (direct or inverse) as defined by ISO 7816-3, which defines the polarity and the order of the data and parity bits in the character. The TS byte, interpreted according to the convention it selects, is placed into the FIFO, and data received from that point onward is assembled according to the selected convention and loaded into the FIFO to be read by software.

The rest of the ATR response from the Smart Card returns the operational limits of the Smart Card. Software must interpret this response and set the SEC1110 and SEC1210 runtime registers accordingly. During the ATR message, data will be received based on a default value of the bit time, called the Elementary Time Unit (etu). Two ATR parameters named F and D are used to define a new etu time. Once this is determined, software can program the BRG Divisor (**SC_DLM** and **SC_DLL**) and the sampling rate for the baud rate generator accordingly. The hardware divides the **Mhzsc1_clk** (typically 48 MHz) system clock, by the BRG divisor and the sampling rate to determine the etu value (bit time). The **SC_x_CLK** frequency is generated by dividing the **sc1_clk** clock by the **SC_CLK_DIV** DIVISOR field. Software will also set up the Extra Guard Time Register (**SC_EGT**), the Block Guard Time (**SC_BGT**) Register and the protocol Mode (T=0 or T=1 Mode) to set the required amount of Guard Time between character transmissions.

A negotiation phase called PPS may occur, or communication may begin immediately using the parameters provided by the card's ATR message. In either case, all communication after the ATR message consists of individual exchanges, in which the IFD transmits a block of data and the ICC responds with a return message. For this reason, and because the response time from the ICC can be too short for software intervention, software will enable both the SEC1110 and SEC1210 transmitter and receiver at the same time, and the receiver hardware will remain inactive until the transmission phase of the exchange has completed.

An additional stop clock feature has been provided to hold the **SC_x_CLK** output at a particular voltage level between exchanges, as may be allowed by the card for power savings. Clock switching is glitch free.

Hardware protocol timers, set according to default timings, will monitor the Smart Card interface during the reset/ATR sequence for an unresponsive or defective card, based on the EMV, ISO and PC/SC timing requirements. If the ATR response is not received within the given time, or does not obey the required timings, a Timer Interrupt will result. The software can then take corrective action or initiate the deactivation sequence to stop and power-down the card.

After the ATR sequence, the same set of hardware timers are used, based on ATR parameters **EGT**, **CWT**, **BWT**, and/or **WWT**, to monitor timings for the subsequent data exchanges.

One of two protocols is selected, defined by a parameter T in the ATR message, and potentially negotiated in a PPS exchange. The protocol T=0 is character-oriented, with parity error detection and re-transmission on a character-by-character basis. The protocol T=1 is block-oriented, with an error-free link layer based on block re-transmission, resembling the X.25 communication standard. In the T=1 protocol, both individual character parity and a block check field are used to detect errors.

The SEC1110 and SEC1210 SC_FIFO is deep enough to hold an entire message of maximum length (259 bytes in SEC1110/SEC1210 and 261 bytes in SEC1110/SEC1210). It transmits data, pre-loaded into the SC_FIFO, when the transmit control bit is set by software. It immediately turns around, enabling the Receiver to put data received back into the SC_FIFO. The SC_FIFO Threshold Interrupt is triggered by received data only, though a separate interrupt is available to signal when the transmit phase has ended. The hardware has significant knowledge of the protocol being implemented, and can be set up to filter out bytes that would lead to a message longer than the SC_FIFO depth.

After deactivation of the ICC, it is required to perform a block reset to the smart clock block using SC1_RESET or SC2_RESET, or initialize all the registers to desired values.

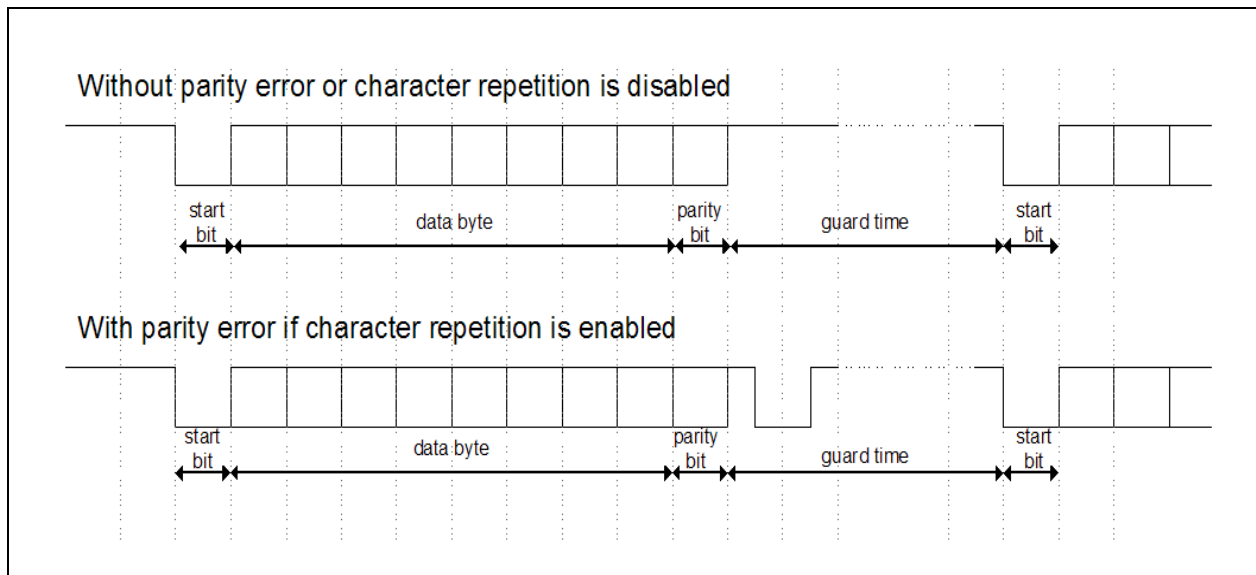
10.4 Character Framing

The SEC1110 and SEC1210 meets the requirements for a character frame as defined by ISO 7816-3. The T=0 and T=1 protocol differ in the minimum amount of Guard Time: 2 etus for T=0, and 1 etu for T=1, which does not require a character-by-character parity error response.

Character parity is checked as each byte is received by hardware. If a parity error is detected when a byte is received, the parity error status bit will be set. This status bit can be polled by software, or it can be programmed to generate an interrupt and/or to deactivate the card in hardware. If character repetition is enabled (used in the T=0 protocol) the SEC1110 and SEC1210 will pull the SCx_IO line low following a received parity error, for the duration of 1 etu as defined by ISO 7816-3. If the card signals receipt with a parity error while the SEC1110 and SEC1210 is transmitting, it will repeat the character up to 4 additional times. Whether transmitting or receiving, failure after 5 transmissions of the same character will cause a Parity Error Interrupt and/or hardware deactivation of the ICC.

Note: Software should not try to initiate a RESYNCH until the transaction has completed, because the card may still be trying to send data to the IFD. Timeout timers and an Activity Detection bit are provided to assist software in this determination, in case of an error.

FIGURE 10-4: T=0 MODE CHARACTER TRANSMISSION AND REPETITION DIAGRAM



Note: Timing is measured in etus. 1 etu = time to transmit 1 bit. The default etu is equal to $372/f$, where f is the clock frequency.

SEC1110/SEC1210

TABLE 10-1: CHARACTER FRAME FORMAT

| TRANSMISSION | DEFINITION |
|--------------|--|
| Start Bit | The I/O signal is held low for the duration of one etu after the Guard Time before transmitting data. |
| Data Byte | The 8 bits immediately following the start bit that represents a single character byte. The logical value of the data byte transmitted is dependent on the convention selected by TS of the ATR. Direct Convention: logical 1 equals VCC and bits are transmitted LSB first. Inverse Convention: logical 0 equals VCC and bits are transmitted MSB first. Note: Data received is interpreted according to the encoding convention selected by the ICC. |
| Parity Bit | The parity bit is used for error detection. It is used to provide even parity, operating on 1 and 0 as defined by the convention. The parity bit itself is also represented with the same polarity as the data field, according to the selected encoding convention. |
| Guard Time | The Guard Time is defined as the time between the transmission of the parity bit and the next start bit transmitted. During this time, both the Transmitter and Receiver release the bus. Only the Receiver is permitted to pull the bus low during this time (in all except T=1) to indicate a parity error has occurred. Guard time = minimum Guard Time + Extra Guard Time (N); for $0 \leq N \leq 254$ Guard time = minimum Guard Time; for N=255. T=0 (including ATR and PPS) requires a minimum Guard Time of 2 etus. T=1 requires a minimum Guard Time of 1 etu. The minimum Guard Time is determined by whether T=0 or T=1 Mode is chosen in the Protocol Mode Register. Extra Guard Time (N) is programmable from 0 to 254 etus, as requested by the card in the ATR message. The default value is 0. The value of N received in the ATR should be directly programmed in the EGT Register. |

10.5 Clocking and Baud Rate Generation

The frequency of the **SCx_CLK** signal to the ICC, and the rate at which bits are transmitted and sampled, are determined from the frequency of **sc1_clk** clock, which is a divided version of 48 MHz clock.

No other clock frequency is available in the SEC1110 and SEC1210.

10.5.1 CLOCK RATE GENERATION

The internal clock rate generator determines the frequency of the clock to be provided to the ICC on the **SCx_CLK** pin. This is expressed in the least-significant 6 bits of the **SC_CLK_DIV** Register as a divisor on the system clock. To find the correct value, the **Fi** value is read from the card, and **Fmax** is determined. The divisor is chosen such that **SCx_CLK** is the highest possible frequency without violating the **Fmax** parameter. The frequency of the clock to the Smart Card blocks is selected to be the minimum required to satisfy **SCx_CLK** frequency and the etu rate. This is done to lower dynamic power dissipation of the block.

Frequency of clock to Smart Card 1 block is $F_{sc1_clk} = 48 \text{ MHz} / SC1_CLK_DIV$.

Frequency of **SC1_CLK** pin = $F_{sc1_clk} / DIVISOR[4:0]$

10.5.2 ETU RATE GENERATION

The internal Baud Rate Generator (BRG) sets the duration of an etu (bit time). In the ATR message from the ICC, a divisor term (F) and a multiplier term (D) come from two 4-bit values **Fi** and **Di**. (If the ICC does not provide these values, the default is **Fi**=1 and **Di**=1, which specify a simple division by 372). The **Fi** and **Di** values are specified relative to the **SCx_CLK** frequency. But within SEC1110 and SEC1210, this must be translated to a simple divisor of the system clock.

There are two components to this divisor: a Sampling Mode and a Divisor Latch value (DL). The divisor latch value is held as a 16-bit value in the **SC_DLL/SC_DLM** register pair. The sampling mode is contained in the most-significant two bits of the **SC_CLK_DIV** Register.

The value in the DLL/DLM registers is interpreted according to the separate Sampling Mode, held in the most-significant two bits of the SC_CLK_DIV Register. The sampling mode is a pre-scaler and one of three valid settings:

- 00b : prescaler of 31
- 10b : prescaler of 16
- 01b : no prescaler. The divisor directly specifies the etu rate in units of the sc1_clk clock, and each bit is sampled directly by that clock. This form gives better accuracy. Also, even in a non-standard application, it is not allowed to specify fewer than 16 sample times per etu.

For example assume during ATR, TA bits 8–5 = 0010b (Fi=558), and bits 4–1 = 0011b (Di=4) then Fmax = 6 MHz, and the desired divisor = 139.5.

This means:

- Fmax = 6 MHz (based on Fi)
- Desired divisor = 558/4 = 139.5

Desired baud rate = 4.8 MHz/139.5 = 34408.6 bps. This means based on a 48 MHz clock the divisor latch value must be: 48 MHz/34408 = 1395. To set the SCx_CLK frequency close to Fmax, then SCx_CLK divisor (DIVISOR[4:0]) must be set to 48 M/4.8 M = 10.

The single bit error due to the terminal's sampling rate = $(1 / 48 \text{ MHz}) / (1 \text{ ETU}) = (1/48e6) / (1/34408.6) = 0.071\%$. The error accumulated over a byte (starting from START bit, 8 data bits, parity bit, pause sample) = $10 * 2\% = 20\%$.

The maximum error allowed per bit is determined by maximum rise/fall times (8%), minimum sampling time (0.2 etu, i.e., 20%), and maximum clock jitter (1% p-p).

When the Receiver samples, the maximum allowed error per bit = $0.2 \text{ etu}/10 = 20.0\% / 10 = 2.00\%$

For some of the Fi/Di ratios, lower power consumption can be achieved by reducing the Smart Card block frequency, while maintaining the maximum line rate. This requires operating within the maximum allowed error rate per bit.

10.5.3 RECOMMENDED ETU RATES AND SETTINGS

Table 10-2 lists the valid etu rates supported, and the recommended settings of the DL divisor (in the DLL/DLM registers) and the sampling field of the CLK Register that are used to select them.

The settings shown are for the maximum block frequency (48 MHz, i.e., SCx_CLK_DIV=1) to the Smart Card block to reduce error to a minimum.

TABLE 10-2: RECOMMENDED SETTINGS FOR VALID TA1 ETU RATES

| FI (DEC) | DI (DEC) | FI/DI (REAL) | SAMPLING FIELD (BINARY) | SCLK (ACTUAL) MHZ | DL DIVISOR VALUE (DECIMAL) | BAUD RATE (BITS/SEC) | BIT ERROR (%) |
|----------|----------|--------------|-------------------------|-------------------|----------------------------|----------------------|---------------|
| 0 | 1 | 372 | 01 | 4.8 | 3720 | 12903.23 | 0.00% |
| 0 | 2 | 186 | 01 | 4.8 | 1860 | 25806.45 | 0.00% |
| 0 | 3 | 93 | 01 | 4.8 | 930 | 51613.90 | 0.00% |
| 0 | 4 | 46.5 | 01 | 4.8 | 465 | 103226.81 | 0.00% |
| 0 | 5 | 23.25 | 01 | 4.8 | 233 | 206008.58 | 0.22% |
| 0 | 6 | 11.625 | 01 | 4.8 | 116 | 413793.10 | -0.22% |
| 0 | 7 | 5.813 | 01 | 4.8 | 58 | 827586.21 | -0.22% |
| 0 | 8 | 32 | 01 | 4.8 | 31 | 154838.71 | 0.00% |
| 0 | 9 | 18.6 | 01 | 4.8 | 186 | 258064.52 | 0.00% |
| 1 | 1 | 372 | 01 | 4.8 | 3720 | 12903.23 | 0.00% |
| 1 | 2 | 186 | 01 | 4.8 | 1860 | 25806.45 | 0.00% |
| 1 | 3 | 93 | 01 | 4.8 | 930 | 51613.90 | 0.00% |
| 1 | 4 | 46.5 | 01 | 4.8 | 465 | 103226.81 | 0.00% |
| 1 | 5 | 23.25 | 01 | 4.8 | 233 | 206008.58 | 0.22% |
| 1 | 6 | 11.625 | 01 | 4.8 | 116 | 413793.10 | -0.22% |
| 1 | 7 | 5.813 | 01 | 4.8 | 58 | 827586.21 | -0.22% |

SEC1110/SEC1210

TABLE 10-2: RECOMMENDED SETTINGS FOR VALID TA1 ETU RATES (CONTINUED)

| FI (DEC) | DI (DEC) | F/DI (REAL) | SAMPLING FIELD (BINARY) | SCLK (ACTUAL) MHZ | DL DIVISOR VALUE (DECIMAL) | BAUD RATE (BITS/SEC) | BIT ERROR (%) |
|----------|----------|-------------|-------------------------|-------------------|----------------------------|----------------------|---------------|
| 1 | 8 | 31 | 01 | 4.8 | 31 | 154838.71 | 0.00% |
| 1 | 9 | 18.6 | 01 | 4.8 | 186 | 258064.52 | 0.00% |
| 2 | 1 | 558 | 01 | 4.8 | 5580 | 8602.15 | 0.00% |
| 2 | 2 | 279 | 01 | 4.8 | 2790 | 17204.30 | 0.00% |
| 2 | 3 | 139.5 | 01 | 4.8 | 1395 | 34408.60 | 0.00% |
| 2 | 4 | 69.75 | 01 | 4.8 | 698 | 68767.91 | 0.07% |
| 2 | 5 | 34.875 | 01 | 4.8 | 349 | 137535.82 | 0.07% |
| 2 | 6 | 17.438 | 01 | 4.8 | 174 | 275862.07 | -0.22% |
| 2 | 7 | 8.719 | 01 | 4.8 | 87 | 551724.14 | -0.22% |
| 2 | 8 | 46.5 | 01 | 4.8 | 465 | 103225.81 | 0.00% |
| 2 | 9 | 27.9 | 01 | 4.8 | 279 | 172043.01 | 0.00% |
| 3 | 1 | 744 | 01 | 4.8 | 7440 | 6451.61 | 0.00% |
| 3 | 2 | 372 | 01 | 4.8 | 3720 | 12903.23 | 0.00% |
| 3 | 3 | 186 | 01 | 4.8 | 1860 | 25806.45 | 0.00% |
| 3 | 4 | 93 | 01 | 4.8 | 930 | 51612.90 | 0.00% |
| 3 | 5 | 46.5 | 01 | 4.8 | 465 | 103225.81 | 0.00% |
| 3 | 6 | 23.25 | 01 | 4.8 | 233 | 206008.58 | 0.22% |
| 3 | 7 | 11.625 | 01 | 4.8 | 116 | 413793.10 | 0.22% |
| 3 | 8 | 62 | 01 | 4.8 | 620 | 77419.35 | 0.00% |
| 3 | 9 | 37.2 | 01 | 4.8 | 372 | 129032.26 | 0.00% |
| 4 | 1 | 1116 | 01 | 4.8 | 11160 | 4301.08 | 0.00% |
| 4 | 2 | 558 | 01 | 4.8 | 5580 | 8602.15 | 0.00% |
| 4 | 3 | 279 | 01 | 4.8 | 2790 | 17204.30 | 0.00% |
| 4 | 4 | 139.5 | 01 | 4.8 | 1395 | 34408.60 | 0.07% |
| 4 | 5 | 69.75 | 01 | 4.8 | 698 | 68767.91 | 0.07% |
| 4 | 6 | 34.875 | 01 | 4.8 | 349 | 137535.82 | 0.07% |
| 4 | 7 | 17.438 | 01 | 4.8 | 174 | 275862.07 | -0.22% |
| 4 | 8 | 93 | 01 | 4.8 | 930 | 51612.90 | 0.00% |
| 4 | 9 | 55.8 | 01 | 4.8 | 558 | 86021.51 | 0.00% |
| 5 | 1 | 1488 | 01 | 4.8 | 14880 | 3225.81 | 0.00% |
| 5 | 2 | 744 | 01 | 4.8 | 7440 | 6451.61 | 0.00% |
| 5 | 3 | 372 | 01 | 4.8 | 3720 | 12903.23 | 0.00% |
| 5 | 4 | 186 | 01 | 4.8 | 1860 | 25806.45 | 0.00% |
| 5 | 5 | 93 | 01 | 4.8 | 930 | 51612.90 | 0.00% |
| 5 | 6 | 46.5 | 01 | 4.8 | 465 | 103225.81 | 0.00% |
| 5 | 7 | 23.25 | 01 | 4.8 | 233 | 206008.58 | 0.22% |
| 5 | 8 | 124 | 01 | 4.8 | 1240 | 38709.68 | 0.00% |
| 5 | 9 | 74.4 | 01 | 4.8 | 744 | 64516.13 | 0.00% |
| 6 | 1 | 1860 | 01 | 4.8 | 18600 | 2580.65 | 0.00% |
| 6 | 2 | 930 | 01 | 4.8 | 9300 | 5161.29 | 0.00% |
| 6 | 3 | 465 | 01 | 4.8 | 4650 | 10322.58 | 0.00% |
| 6 | 4 | 232.5 | 01 | 4.8 | 2325 | 20645.16 | 0.00% |
| 6 | 5 | 116.25 | 01 | 4.8 | 1163 | 41272.57 | 0.04% |

TABLE 10-2: RECOMMENDED SETTINGS FOR VALID TA1 ETU RATES (CONTINUED)

| FI (DEC) | DI (DEC) | FI/DI (REAL) | SAMPLING FIELD (BINARY) | SCLK (ACTUAL) MHZ | DL DIVISOR VALUE (DECIMAL) | BAUD RATE (BITS/SEC) | BIT ERROR (%) |
|----------|----------|--------------|-------------------------|-------------------|----------------------------|----------------------|---------------|
| 6 | 6 | 58.125 | 01 | 4.8 | 581 | 82616.18 | -0.04% |
| 6 | 7 | 29.063 | 01 | 4.8 | 291 | 164948.45 | -0.13% |
| 6 | 8 | 155 | 01 | 4.8 | 1550 | 30967.74 | 0.00% |
| 6 | 9 | 93 | 01 | 4.8 | 930 | 51612.90 | 0.00% |
| 9 | 1 | 512 | 01 | 4.8 | 5120 | 9375.00 | 0.00% |
| 9 | 2 | 256 | 01 | 4.8 | 2560 | 18750.00 | 0.00% |
| 9 | 3 | 128 | 01 | 4.8 | 1280 | 37500.00 | 0.00% |
| 9 | 4 | 64 | 01 | 4.8 | 640 | 75000.00 | 0.00% |
| 9 | 5 | 32 | 01 | 4.8 | 320 | 150000.00 | 0.00% |
| 9 | 6 | 16 | 01 | 4.8 | 160 | 300000.00 | 0.00% |
| 9 | 7 | 8 | 01 | 4.8 | 80 | 600000.00 | 0.00% |
| 9 | 8 | 42.667 | 01 | 4.8 | 427 | 112412.18 | 0.08% |
| 9 | 9 | 25.6 | 01 | 4.8 | 256 | 187500.00 | 0.00% |
| 10 | 1 | 768 | 01 | 4.8 | 7680 | 6250.00 | 0.00% |
| 10 | 2 | 384 | 01 | 4.8 | 3840 | 12500.00 | 0.00% |
| 10 | 3 | 192 | 01 | 4.8 | 1920 | 25000.00 | 0.00% |
| 10 | 4 | 96 | 01 | 4.8 | 960 | 50000.00 | 0.00% |
| 10 | 5 | 48 | 01 | 4.8 | 480 | 100000.00 | 0.00% |
| 10 | 6 | 24 | 01 | 4.8 | 240 | 200000.00 | 0.00 |
| 10 | 7 | 12 | 01 | 4.8 | 120 | 400000.00 | 0.00 |
| 10 | 8 | 64 | 01 | 4.8 | 640 | 75000.00 | 0.00% |
| 10 | 9 | 38.4 | 01 | 4.8 | 384 | 125000.00 | 0.00% |
| 11 | 1 | 1024 | 01 | 4.8 | 4688 | 4687.50 | 0.00% |
| 11 | 2 | 512 | 01 | 4.8 | 9375 | 9375 | 0.00% |
| 11 | 3 | 256 | 01 | 4.8 | 18750 | 18750 | 0.00% |
| 11 | 4 | 128 | 01 | 4.8 | 37500 | 37500 | 0.00% |
| 11 | 5 | 64 | 01 | 4.8 | 75000 | 75000 | 0.00% |
| 11 | 6 | 32 | 01 | 4.8 | 150000 | 150000 | 0.00% |
| 11 | 7 | 16 | 01 | 4.8 | 300000 | 300000 | 0.00% |
| 11 | 8 | 85.333 | 01 | 4.8 | 56250 | 56271.98 | 0.04% |
| 11 | 9 | 51.2 | 01 | 4.8 | 93750 | 93750 | 0.00% |
| 12 | 1 | 1536 | 01 | 4.8 | 15360 | 3125.00 | 0.00% |
| 12 | 2 | 768 | 01 | 4.8 | 7680 | 6250.00 | 0.00% |
| 12 | 3 | 384 | 01 | 4.8 | 3840 | 12500.00 | 0.00% |
| 12 | 4 | 192 | 01 | 4.8 | 1920 | 25000.00 | 0.00% |
| 12 | 5 | 96 | 01 | 4.8 | 960 | 50000.00 | 0.00% |
| 12 | 6 | 48 | 01 | 4.8 | 480 | 100000.00 | 0.00% |
| 12 | 7 | 24 | 01 | 4.8 | 240 | 200000.00 | 0.00% |
| 12 | 8 | 128 | 01 | 4.8 | 1280 | 37500.00 | 0.00% |
| 12 | 9 | 76.8 | 01 | 4.8 | 768 | 62500.00 | 0.00% |
| 13 | 1 | 2048 | 01 | 4.8 | 20480 | 2343.75 | 0.00% |
| 13 | 2 | 1024 | 01 | 4.8 | 10240 | 4687.50 | 0.00% |
| 13 | 3 | 512 | 01 | 4.8 | 5120 | 9375.00 | 0.00% |

SEC1110/SEC1210

TABLE 10-2: RECOMMENDED SETTINGS FOR VALID TA1 ETU RATES (CONTINUED)

| FI (DEC) | DI (DEC) | FI/DI (REAL) | SAMPLING FIELD (BINARY) | SCLK (ACTUAL) MHZ | DL DIVISOR VALUE (DECIMAL) | BAUD RATE (BITS/SEC) | BIT ERROR (%) |
|----------|----------|--------------|-------------------------|-------------------|----------------------------|----------------------|---------------|
| 13 | 4 | 256 | 01 | 4.8 | 2560 | 18750.00 | 0.00% |
| 13 | 5 | 128 | 01 | 4.8 | 1280 | 37500.00 | 0.00% |
| 13 | 6 | 64 | 01 | 4.8 | 640 | 7500.00 | 0.00% |
| 13 | 7 | 32 | 01 | 4.8 | 320 | 150000.00 | 0.00% |
| 13 | 8 | 170.667 | 01 | 4.8 | 1707 | 28119.51 | 0.02% |
| 13 | 9 | 102.4 | 01 | 4.8 | 1024 | 46875.00 | 0.00% |

Note 10-1 Some of the test equipment are not capable of operating with non-integer values of Fi/Di ratios.

10.6 16-bit General Purpose Counter

A 16-bit general-purpose down counter is located in the SC_DCL and SC_DCM register pair. Writing to these registers stores the preload value for the counter. Reading these registers will yield the current count value. Once the counter is enabled and begins counting, it will continue counting down either until it reaches 0000h or until a new preload value is written to the counter. At 0000h the counter wraps around to FFFFh and will generate the General Purpose Down Counter Interrupt.

The counter is clocked by a 10 kHz clock input (i.e., 100 μ sec/lb) derived from the system clock.

The counter loads the stored preload value and begins counting when the Counter Enable bit is set to 1. On a POR or when the Counter Interrupt Enable bit is cleared to 0, the preload value used by the counter is initialized to FFFFh. Setting the Counter Enable bit to 1 loads the current preload value. This allows software to write the preload value before enabling the counter. Therefore, when this enable bit is set to 1 the counter begins counting down from the preload value, which will be either the default preload value (FFFFh) or a programmed preload value. The Counter Enable bit is located in the LCR Register.

To write the Pre-load value:

If the counter is disabled, the SC_DCL and SC_DCM registers may be written in any order. If the counter is enabled, write the LSB first into the SC_DCL Register. Writing the MSB into the SC_DCM Register loads the pre-load value into the counter and resets the divider used to scale the clock. The counter, if enabled, begins counting down as soon as the preload value is loaded into the register and the clock is re-initialized.

To read the Count value:

Read the LSB first from the SC_DCL Register. Reading the SC_DCL Register latches the MSB of the count value into the SC_DCM Register.

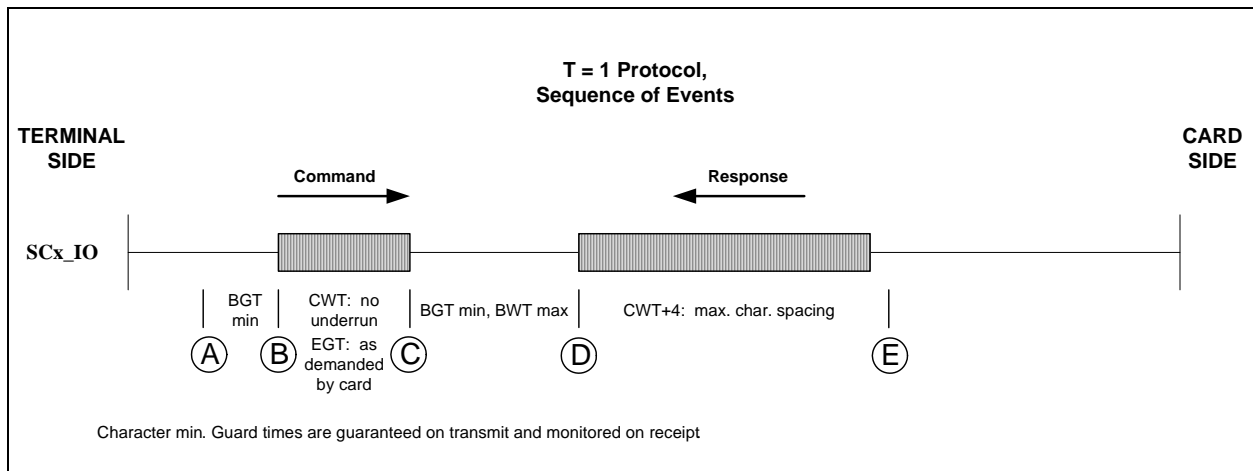
10.7 T=1 Operation

In T=1 Mode, a transmission is immediately followed by received data. Therefore, when the Receiver is newly enabled (see the FCR Register), this is interpreted as meaning that the Receiver will begin accepting data only when transmission is finished. According to the various standards, the card is supposed to have a minimum turnaround delay before it starts transmitting data, but in practice the controller does not rely on that, and will accept data as soon as the last character has been transmitted.

10.7.1 OPERATION OF TIMERS IN T=1 MODE

Transactions between the controller and a Smart Card are performed in an exchange of data: the controller transmits a command, and the Smart Card must respond. Because the Smart Card is allowed to respond very quickly after receiving the last byte of the command, the timers must be set up before the command is sent, and software cannot interact with the exchange until the response has been received, or a timeout has occurred. Both of these events trigger an interrupt.

FIGURE 10-5: T=1 EVENTS



In [FIGURE 10-5: on page 55](#), T=1 Exchange, the sequence of events is shown in the exchange of data with the Smart Card. The operation of the controller at points A, B, C, D and E is described in the sections below.

10.7.1.1 Setup Before First T=1 Transmission

- Software directly pre-loads the Guard Timer SC_BGT Reload Register with a value based on the BGT parameter from the ATR message. The Guard Timer resolution is one etu.
- Software loads the Guard Timer SC_EGT Reload Register with a value based on the current EGT.
- Software enables the Guard Timer, which is used to inhibit transmission until it underflows.
- The initial state of the Guard Timer is waiting for a transmitted character for EGT timing. Therefore, the first time it is enabled, the first BGT value must be ensured by software using different means prior to progressing to point A.

10.7.1.2 Point A: Software Initiates Exchange

- Software writes the entire message to be transmitted into the SC_FIFO.
- Software writes the value 0x02 to the SC_FIFO Threshold Register, to get an interrupt when three bytes have been received in response.
- Software loads the Timeout Timer with the current BWT value, in units of 1.25 milliseconds.
- Software loads the CWT Timer with a value based on the current CWT value, and enables the CWT timer.
- Software enables both the Transmitter and the Receiver. Transmission begins after any delay imposed by the Guard Time, proceeding to point B.
- Software waits for interrupts occurring at point E.

10.7.1.3 Point B: Transmission Begins

- The first character is fetched from FIFO.
- Transmission of the first character begins.
- At each transmitted character, the Guard Timer reloads from its SC_EGT Reload Register (EGT value).
- At the end of each character, after the 1 etu of mandatory guard time, the Guard Timer counts down, and it inhibits transmission until it underflows. On underflow, the Guard Timer permits transmission and stops.
- Characters will be fetched from the FIFO and are held until the EGT value from the Guard Timer expires.
- When the SC_FIFO becomes empty of characters to be transmitted, the SEC1110 and SEC1210 will immediately disable the Transmitter (clearing the FTE bit in the SC_FCR Register), and will transition to the receive phase of the exchange.

10.7.1.4 Point C: Preparation for Reception

When the entire Transmit message has been sent, the Timeout Timer begins monitoring for the first received character. When it is received, the Timeout Timer stops and does nothing else until software re-enables it. If instead the Timeout Timer underflows (at the BWT time), it stops, disables the Receiver (by clearing the **FRE** bit in the SC_FCR Register) and presents the TMO Interrupt.

In a second Mode of operation (WTX), the Timeout Timer will continue running and posting interrupts, for counting down (in software) the number of underflows of this timer before detecting an error. In this Mode, the underflow simply reloads and continues, posting the interrupt, but it does not automatically disable the Receiver. When the appropriate number of underflows has occurred, the software will place the timer back into BWT Mode, and it will then interrupt, stop, and disable the Receiver if it underflows again.

10.7.1.5 Point D: Message Being Received

At the first received start bit, the CWT Timer begins operation. This timer counts in units of etu. It has been loaded by software, before transmission, with the maximum distance between received characters. The value also includes the tolerance value (4 or 5 etu) which is required by the EMV standard. This timer is reloaded, and retriggered, on receipt of each character. If it elapses, it stops, clears the FRE bit to disable the Receiver to the SC_FIFO, and posts the CWT Interrupt request.

After the first three bytes have been received, the FIFO Threshold Interrupt is posted. Software reads three bytes from the SC_FIFO, and interprets them to determine the remaining length of the response from the card. Software re-sets the FIFO Threshold to the expected number of bytes, minus 1.

10.7.1.6 Point E: End of Message

The end of a message will be detected either by software, seeing the FIFO Threshold Interrupt, or by the CWT Timer Interrupt if not enough characters come in. (The CWT Timer event will also set the Threshold Interrupt automatically.) If too many characters are received, software will detect this from extra bytes in the SC_FIFO. If enough characters are received that the SC_FIFO overflows, the OE Interrupt is set. Both the OE and CWT Timer event disable the Receiver from placing any more characters into the SC_FIFO, by clearing the **FRE** bit in the FIFO Control Register.

10.8 T=0 Operation

The T=0 protocol is highly interactive, and there is no timeout constraint placed on the controller side. For this Mode, to support high bit rates, there are timer interactions defined for this Mode, and a pair of state machines to filter incoming data.

In T=0 Mode, unless ATR Mode is also specified, a transmission is immediately followed by received data. Therefore, when in T=0 Mode and not ATR Mode, and the Receiver is newly enabled (see the SC_FCR Register), this is interpreted as meaning that the Receiver will begin accepting data only when transmission is finished. According to the various standards, the card is supposed to have a minimum turnaround delay before it starts transmitting data, but in practice the controller does not rely on that, and will accept data as soon as the last character has been transmitted.

T=0 protocol commands specify the length of the expected response from the card. Therefore, software can be interrupted once by the FIFO Threshold Interrupt, when the entire expected message has been received, or when it has been ended prematurely by the card (Timeout Timer [WWT] error, EOM Interrupt for early SW1/SW2 presentation, or Parity error).

10.8.1 T=0 TIMER OPERATION

In T=0 Mode, the Guard Timer will be used to ensure the DGT requirement (turnaround Guard Time) when beginning transmission, and to insert the Extra Guard Time (EGT) delay between characters. DGT and EGT are not monitored when receiving from the card.

As when beginning T=1 Mode, the Guard Timer is not effective until at least one character has been transmitted or received. Therefore, when software enables the Guard Timer for the first time, it must ensure by other means that the DGT Guard Time has elapsed before enabling the Transmitter.

In T=0 Mode, the Timeout Timer will be used to monitor the card's performance relative to WWT, which defines both the maximum allowed turn-around time in a card's response, and the maximum allowed spacing between characters while the card is transmitting. In this Mode, the Timeout Timer will start on the last transmitted character, will reload and continue on each received character, but will post an interrupt, disable the Receiver and stop if it underflows.

The minimum character Guard Time (2 etu) on transmission will be ensured by the fact that T=0 Mode is selected in the Protocol Mode Register. On transmission, the guard period will be monitored only for a Parity Error response from the Smart Card, and not for any other form of interference.

10.9 T=0 Byte Filtering

There is a new consideration regarding FIFO space. The Smart Card may insert NULL characters at various points in the communication, whose purpose is to reset the Timeout Timer (being used for WWT). Also, there are an unpredictable number of INS bytes, which signal when a card is prepared to transfer only one byte instead of the whole remaining block. A pair of state machines are provided to filter out these extra bytes in a T=0 exchange, thus ensuring that no valid exchange will ever overflow the SC_FIFO.

Both state machines filter only bytes that are being received from the card, but they are called Incoming and Outgoing based on the nature of the command being executed. The direction is defined relative to the card, so that Outgoing means reading data out of the card, and Incoming means writing data into the card.

The special procedure bytes are those bytes sent by the card that are not data. These are:

- NULL, encoded as 0x60, which is used as padding to reset the WWT timing monitor
- SW1, encoded as 0x61-0x6F and 0x90-0x9F. This is the first byte of status, which flags the end of a transfer. It is always followed by one byte, SW2, which completes the status indication and is the last byte of the transaction.
- INS and $\overline{\text{INS}}$ are used as flags, and represent a true (INS) and complemented ($\overline{\text{INS}}$) echo of the Instruction byte (sent by the terminal) that is being executed by the card. The encodings of INS and $\overline{\text{INS}}$ are such that they can never be confused with NULL or SW1.

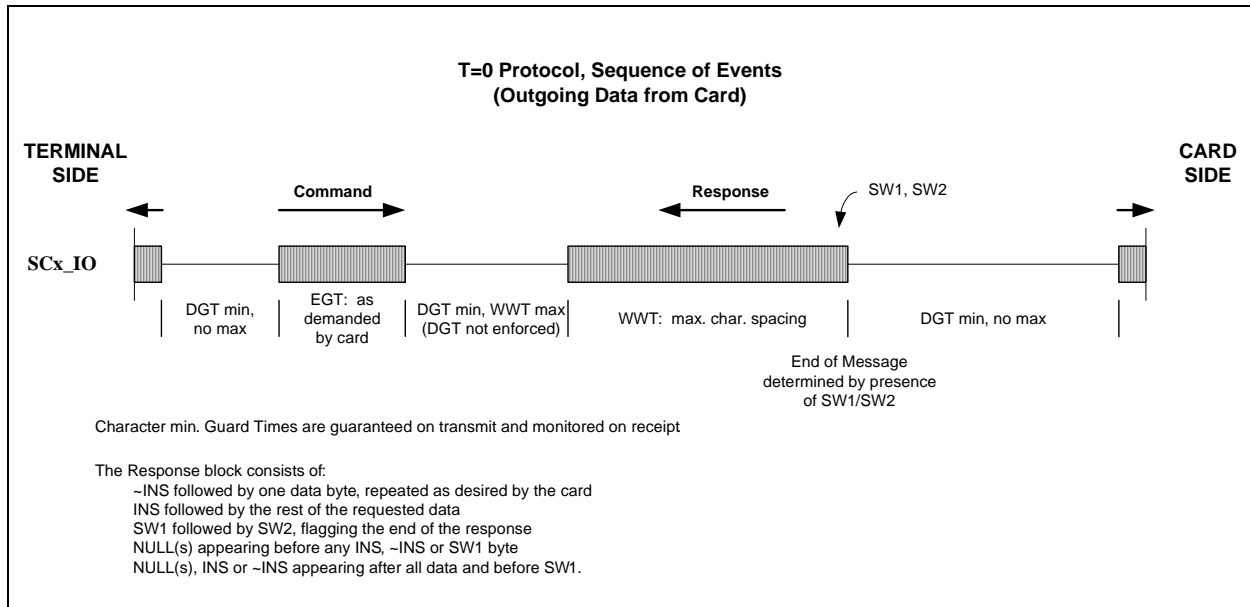
10.9.1 T=0 OUTGOING BYTE FILTER

The first (outgoing) state machine is used when a command is being issued that reads data from the card. In this scenario, the card responds on receipt of the command, and it does not stop transmitting until the entire requested block of data has been transferred. The format of this response is variable depending on the card's performance. The Outgoing state machine, then, filters out the variable portions of this response, leaving only the outgoing data and status, which will be of a predictable maximum size of 258 bytes (256 bytes of information data plus the status bytes SW1 and SW2). If the firmware requires a maximum packet size greater than 258 bytes (CCID firmware needs 259), then firmware can split the packet.

To operate this filter, software specifies in the register set the number of data bytes it intends to read from the Smart Card, and the INS byte value that it intends to send. It then enables the state machine with the dedicated Enable bit (OSME, in the Protocol Mode Register), and transmits its command. When the transmission is completed (as determined by the Message Length Register used for transmission), the state machine becomes active. As the card responds, any NULL characters at appropriate places are detected and discarded, and all INS and $\overline{\text{INS}}$ procedure bytes are discarded, leaving only the data bytes and the two status bytes (SW1 and SW2) to be placed into the SC_FIFO.

A typical sequence of events for a T=0 outgoing exchange is shown in the figure below.

FIGURE 10-6: OUTGOING T=0 COMMAND SEQUENCE



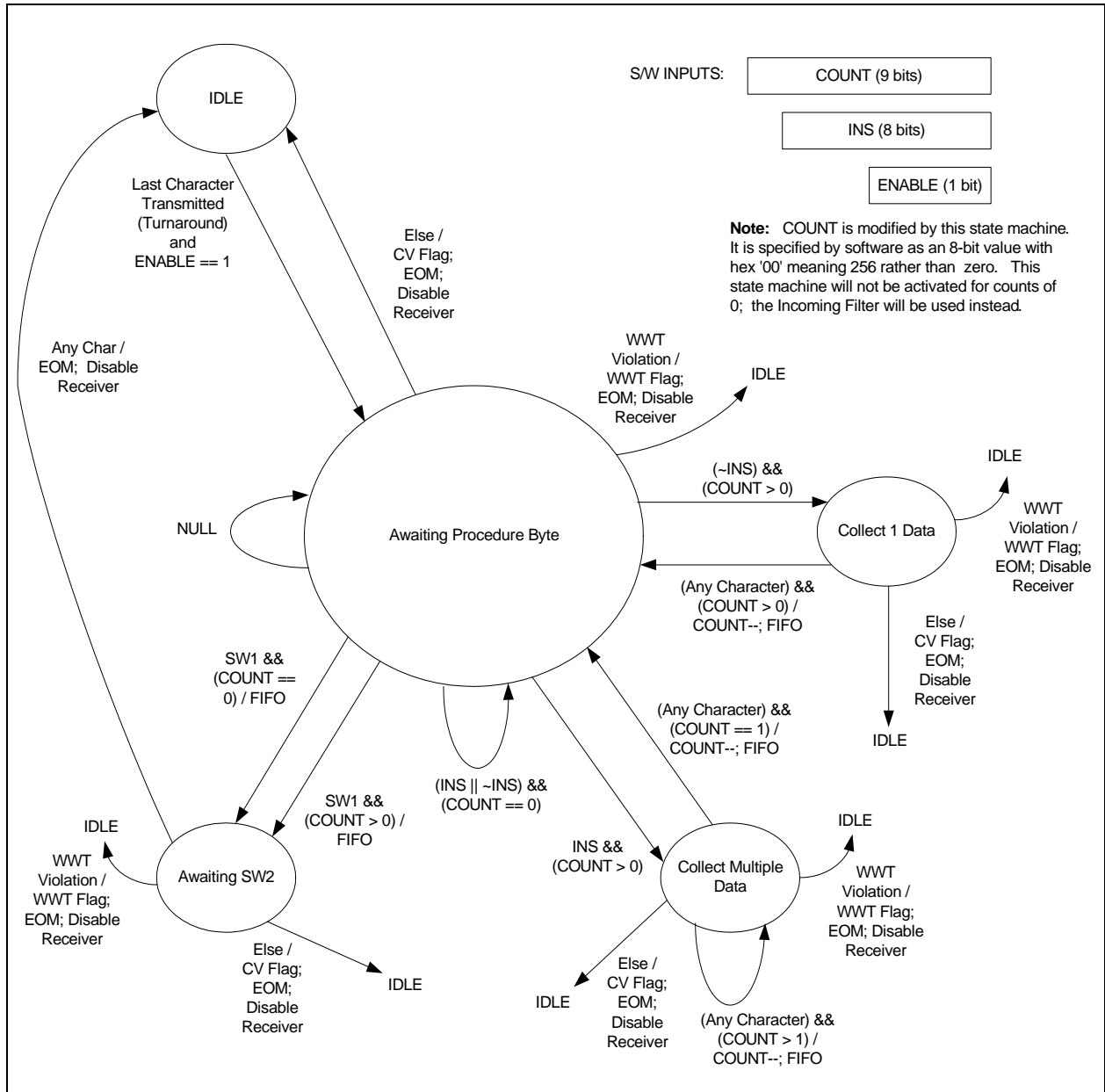
A state diagram for the Outgoing Byte Filter is shown in [FIGURE 10-6: on page 58](#). It accepts from software:

- A 9-bit count of the number of data bytes expected from the card, initialized by software to be in the range of 1 to 256 (00h written by software to the 8-bit SC_FLL Register sets the count to 256, not zero). This number of data bytes are collected and placed into the FIFO, followed by the SW1 and SW2 bytes, for a total of 258 bytes maximum.
- The INS byte being sent to the card. This defines the encodings of the INS and $\overline{\text{INS}}$ procedure bytes.
- An enable bit (OSME, in the Protocol Mode Register) for this specific state machine. When the Enable bit is turned on, the state machine will wait for the Transmitter to finish transmitting the command to the card, then it will start filtering the response.

When the state machine detects the end of a message, or a fatal error in communication, it activates the EOM Interrupt (End of Message), and disables the Receiver. If it is terminating communication because of an error in encoding, it will also set the CV (Code Violation) error status bit. If the Timeout Timer (measuring WWT) underflows during a received message, it will also disable the Receiver and stop the state machine. The EOM Interrupt will be posted in this case, and also the TMO Interrupt from the Timeout Timer itself.

As characters are received, the least-significant 8 bits of count may be examined by reading the SC_FLL Register. The value 00h, which might mean 0 or 256, can be interpreted by looking at the FIFO count to determine whether any characters have been received.

FIGURE 10-7: T=0 OUTGOING BYTE FILTER STATE DIAGRAM



10.9.2 T=0 INCOMING BYTE FILTER

This state machine is active when a command is being executed that writes data into the card. In spite of this, the bytes being filtered are only the responses that are coming from the card. When the controller is intending to transmit data, the state machine is simpler, because there are fewer ways that the Smart Card can respond. The command is executed in multiple exchanges between the controller and the card, and as far as the controller hardware is concerned, each of these (starting with transmission of a 5-byte command header from the controller) is an independent exchange. See [Figure 10-8](#) for an example of an T=0 incoming command sequence.

A state diagram for the Incoming Byte Filter is shown in [FIGURE 10-9: on page 61](#).

SEC1110/SEC1210

When expecting an $\overline{\text{INS}}$ or $\overline{\text{INS}}$ response, this filter will remove only initial NULL bytes from the Smart Card's responses, leaving the $\overline{\text{INS}}$ or $\overline{\text{INS}}$ response byte in the FIFO for software to interpret. When expecting an SW1 byte (when the count of data to be transferred is zero), any initial NULL, $\overline{\text{INS}}$ or $\overline{\text{INS}}$ byte is discarded. Software must provide a valid Count value, along with $\overline{\text{INS}}$ and the Enable bit (**ISME**, in the Protocol Mode Register), for each Transmit/Receive exchange of information in the command sequence.

The Incoming byte filter does not interpret the Count in the same way as the Outgoing byte filter. For the Incoming byte filter, a value of 00h provided by software in the SC_FLL Register actually means zero, and the maximum valid count value is 254 for T=0 Incoming traffic. The SC_FLL Register is not changed except by software, so there is no ambiguity in values as there is when software reads the SC_FLL Register under the Outgoing filter.

FIGURE 10-8: INCOMING T=0 COMMAND SEQUENCE EXAMPLE

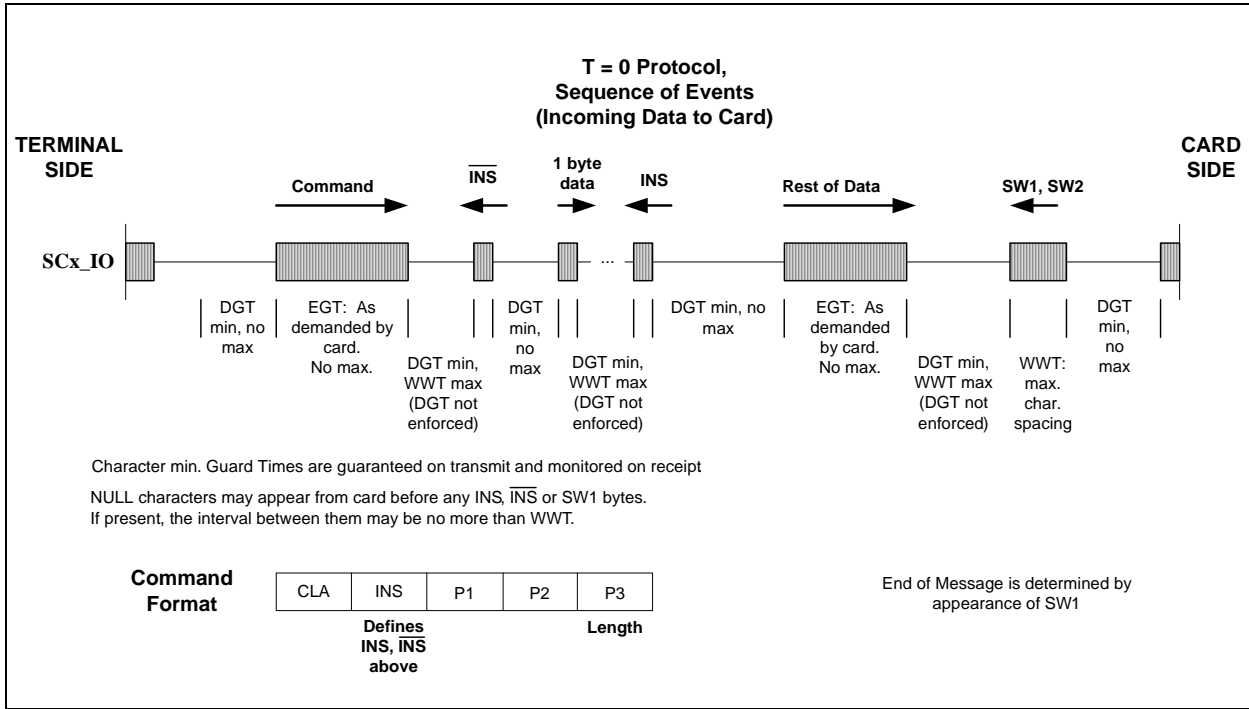
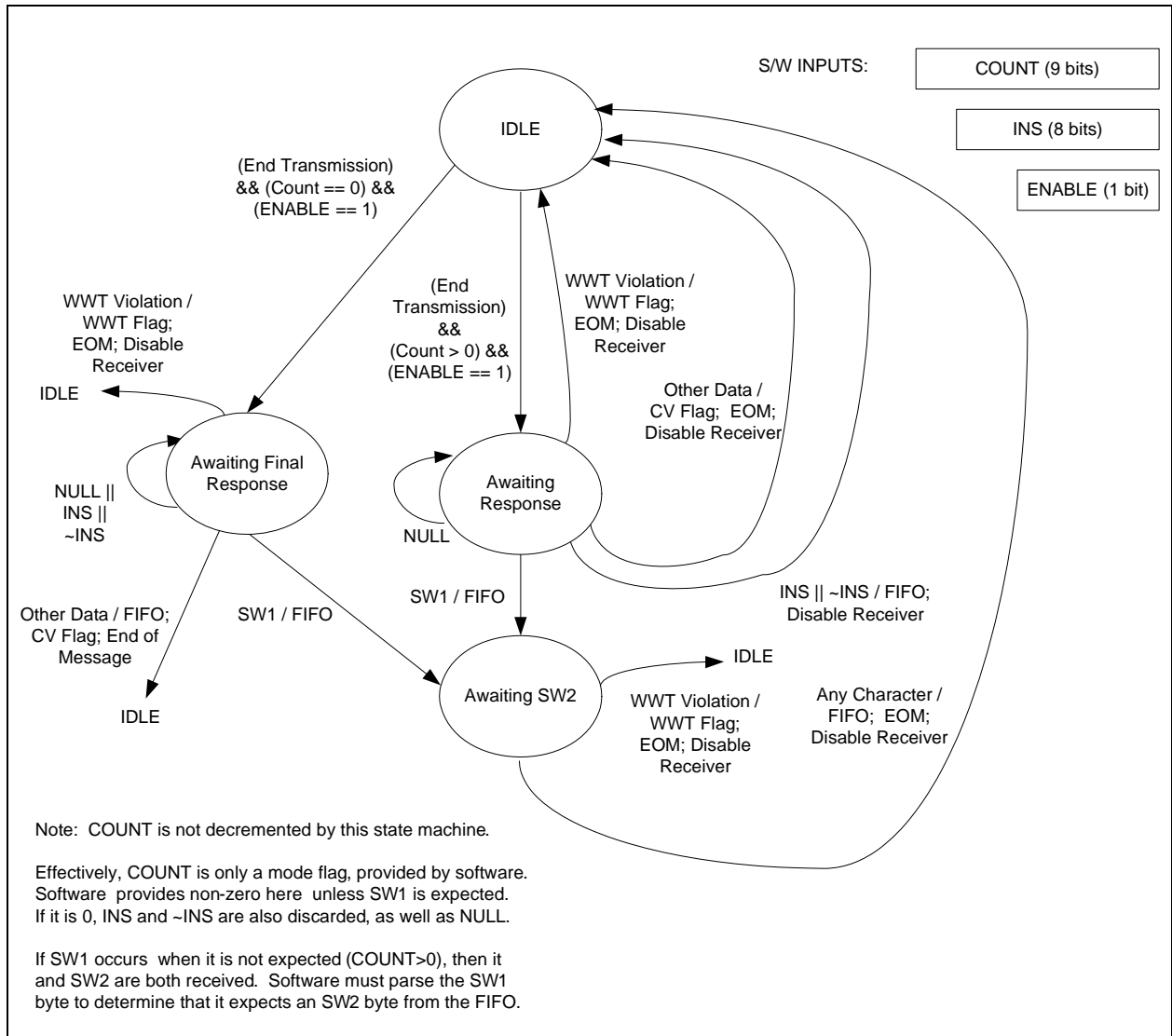


FIGURE 10-9: T=0 INCOMING BYTE FILTER STATE DIAGRAM



SEC1110/SEC1210

10.9.3 ATR RECEPTION

The Answer to Reset (ATR) sequence is a series of bytes sent by the Smart Card in response to the Reset signal from the controller. Certain timers and specialized circuitry are used in receiving the ATR information.

FIGURE 10-10: ATR SEQUENCE, COLD RESET

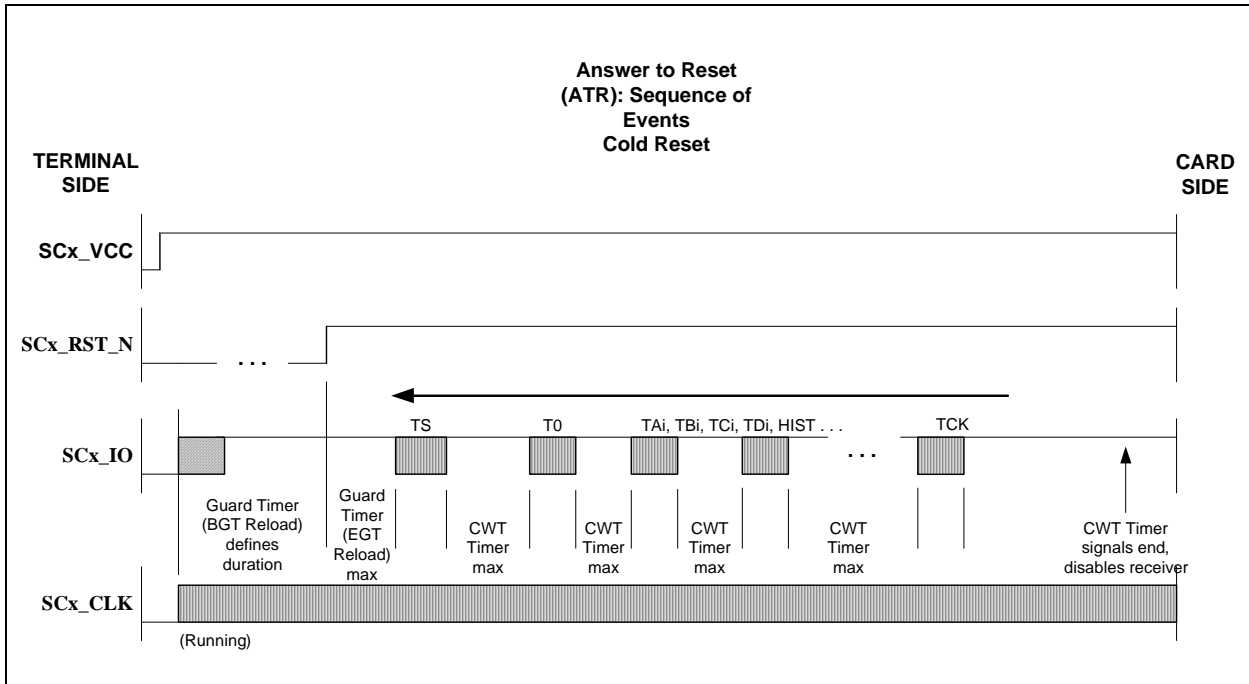
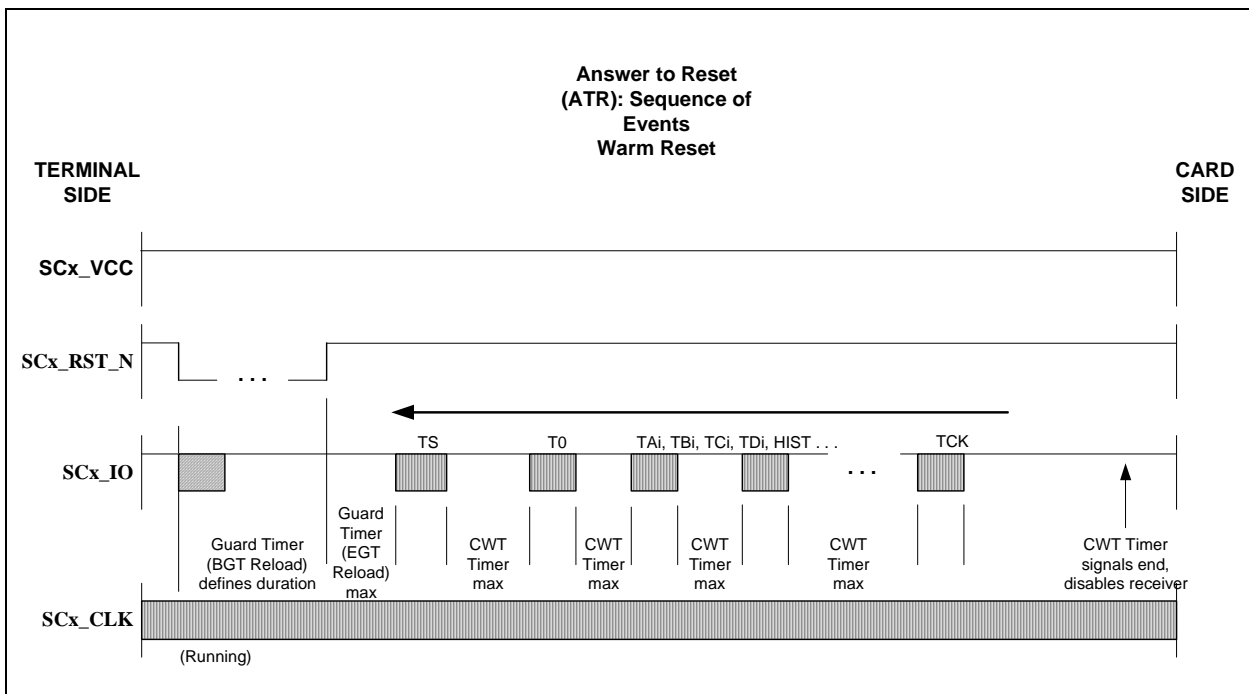


FIGURE 10-11: ATR SEQUENCE, WARM RESET



To anticipate the ATR sequence, the controller is placed by software into a special Mode called ATR. In the ATR Mode, two of the timers are in a special Mode to validate the timing of the sequence. [Figure 10-10](#) shows the sequence of events in a Cold Reset, where power has been removed from the card. [Figure 10-11](#) shows the sequence of events in a Warm Reset, where power is maintained, but a new **SCx_RST_N** pulse is applied to reset the card.

In preparing for the ATR sequence, the software must establish the default etu time: the equivalent of TA1=0x11, or 372 periods of the selected **SCx_CLK** frequency.

At the beginning of the sequence, the two reload registers of the Guard Timer determine the duration of the Reset pulse and measure the response time from the Smart Card to enforce a valid delay. After the first character, the CWT Timer starts, and counts the maximum amount of time the card is allowed to spend between characters. When the CWT Timer expires, an interrupt (CWT) is sent to the software, which can then read the message from the **SC_FIFO**. This event will also set the FIFO Threshold Interrupt active. Software will be able to parse the message and determine whether it is complete.

Software may, rather than using the CWT Timer for this purpose, set thresholds for the **SC_FIFO** such that it is periodically interrupted either by the individual characters or by larger expected fields. The CWT Timer will still be useful as an error indication.

The first byte (TS) is interpreted by hardware. One of two values is allowed, which from that point onward determines the convention used by the card. The possible conventions used are listed below. *L* means a bit time with the **SCx_IO** pin held low, and *H* means a bit time with the **SCx_IO** pin held high.

- Direct Convention, which is signaled by the TS bit sequence LHHLLHHLLHHH. In this convention, bits of a character are sent least-significant bit first, 0 bits in the data field are represented by the Low state, and a true Even parity is used. The first byte will always appear in the **SC_FIFO**, in Direct/Indirect convention as was seen on the **SCx_IO** pin. Subsequent bytes will be decoded as per the convention and loaded into the **SC_FIFO**. The first byte will appear as 0x3B in the **SC_FIFO** in Direct convention.
- Inverse Convention, which is signalled by the TS bit sequence LHHLLLLLLHHH. In this convention, bits of a character are sent most-significant bit first, 0 bits in the data field are represented by the High state, and an inverted Even parity bit is used (appearing as a parity error to any circuit reading it according to the Direct convention). This byte will appear as 0x03 in the **SC_FIFO**.
- The Direct or Inverse Convention will be selected automatically by hardware after receiving the TS byte after a rising edge on the **SCx_RST_N** signal. This setting will be reported in the TSM bit of the Protocol Status Register, and will be used to interpret all characters until the next **SCx_RST_N** pulse. If any TS value other than the two above is seen, the Receiver will be disabled, and the **CV** bit (Code Violation) will be set in the PRIP Register to indicate the error. If a FIFO threshold larger than one byte was selected, the eventual CWT Timer Interrupt will both set the FIFO Threshold Interrupt and alert the software to look at the error flag.

While power is not applied to the card, the terminal is required to hold the **SCx_RST_N**, **SCx_CLK** and **SCx_IO** pins low (not floating). When power is first applied to the card (a Cold Reset, shown in [FIGURE 10-10: ATR Sequence, Cold Reset on page 62](#)), the **SCx_RST_N** pin must be held low until **SCx_CLK** begins running. **SCx_IO** must rise to its idle state (high) after power has been applied, and no later than 200 cycles of **SCx_CLK**. The **SCx_RST_N** pin must then be set high between 108 and 120 default etu times after the clock starts.

When the card has already been initialized from a Cold Reset, it may be reset without removing power (Warm Reset, as shown in [FIGURE 10-11: ATR Sequence, Warm Reset on page 62](#)). In this case, the clock keeps running, **SCx_IO** should remain high, and the time range of 108 to 120 default etu times applies to the width of the **SCx_RST_N** pulse.

10.9.4 GUARD TIME ALGORITHM

A special case occurs under some circumstances, in which software thinks that an exchange is finished, but the card does not, and keeps transmitting characters. One such case is when a parity error occurs in a T=1 message. The **SC_FIFO** stops receiving characters after the faulty one (for diagnostic purposes, to indicate the character with the error), and signals to software an End of Message with an error.

In this circumstance, it is necessary that any transmission commanded by the software (e.g., the packet complaining about the parity error) must wait until the card is finished transmitting. However, if the card is misbehaving and does not stop transmitting, then software must be informed of this error so that the card can be deactivated. The Guard Time algorithm hardware serves both of these purposes.

A specific error flag is provided (TF), and a timing register (GSR), to support this feature. The feature is not optional, and so it cannot be disabled.

SEC1110/SEC1210

The Guard Spacing Register (GSR) is programmed by software with the expected maximum spacing between received characters in units of etus, including Extra Guard Time EGT. (This is required in a separate register by the implementation). The value in the GSR is interpreted as a maximum amount of time allowed from start bit to start bit, and so it must be at least 12 etus.

As each new character is received within this window, an internal counter (CPT) is decremented once. This counter restarts, starting from the maximum legal number of characters in a packet (258 for T=0, 259 for T=1) as soon as characters start being received in an exchange, regardless of whether the Receiver remains enabled or not, and regardless of errors. The CPT counter reloads and stops when no character is received within the GSR window.

If software attempts to transmit while this counter is still active, the transmission is inhibited and held pending. If, however, while a transmission is pending, the CPT count underflows, then the transmission is abandoned, and the TF error (Transmit Failure) is posted, which is an interrupt. See Figure 10-12 for this case. Note that, in T=0 Mode, the Incoming or Outgoing filter remains applied as selected, so that any procedure bytes (NUL, INS, and INS) are not counted.

If there is no such error, then, after the vacant window time has passed, the Transmitter waits for the Designated Guard Time amount (DGT or BGT) and begins transmitting. See FIGURE 10-13: Guard Time Algorithm, No Error, Transmit Held on page 65 for this case.

FIGURE 10-12: GUARD TIME ALGORITHM WITH ERROR, TRANSMIT ABANDONED

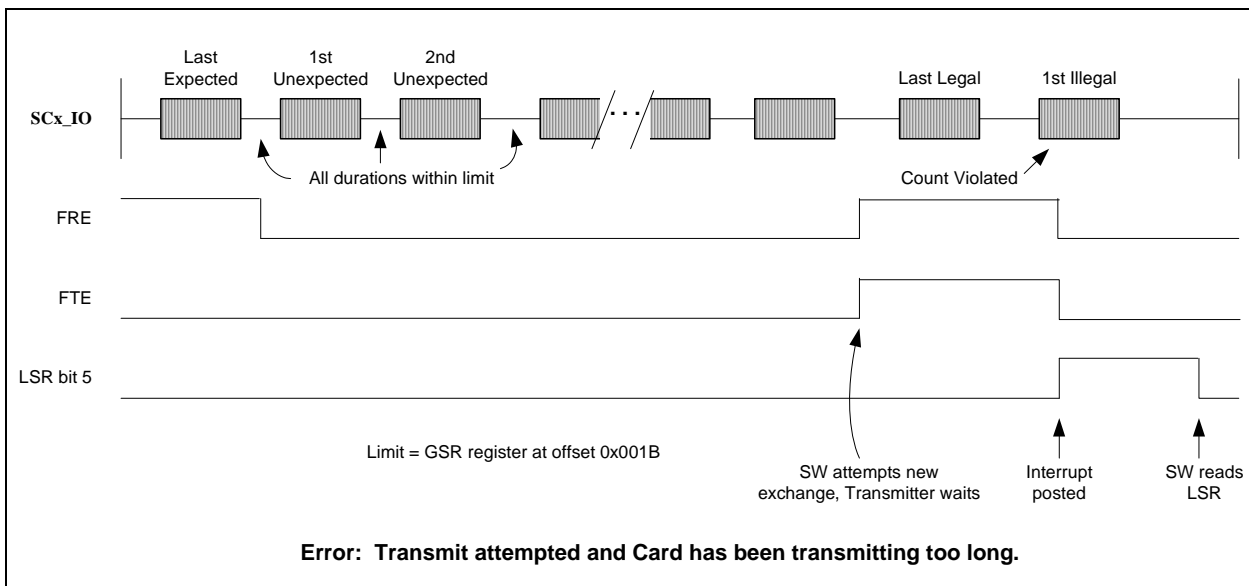
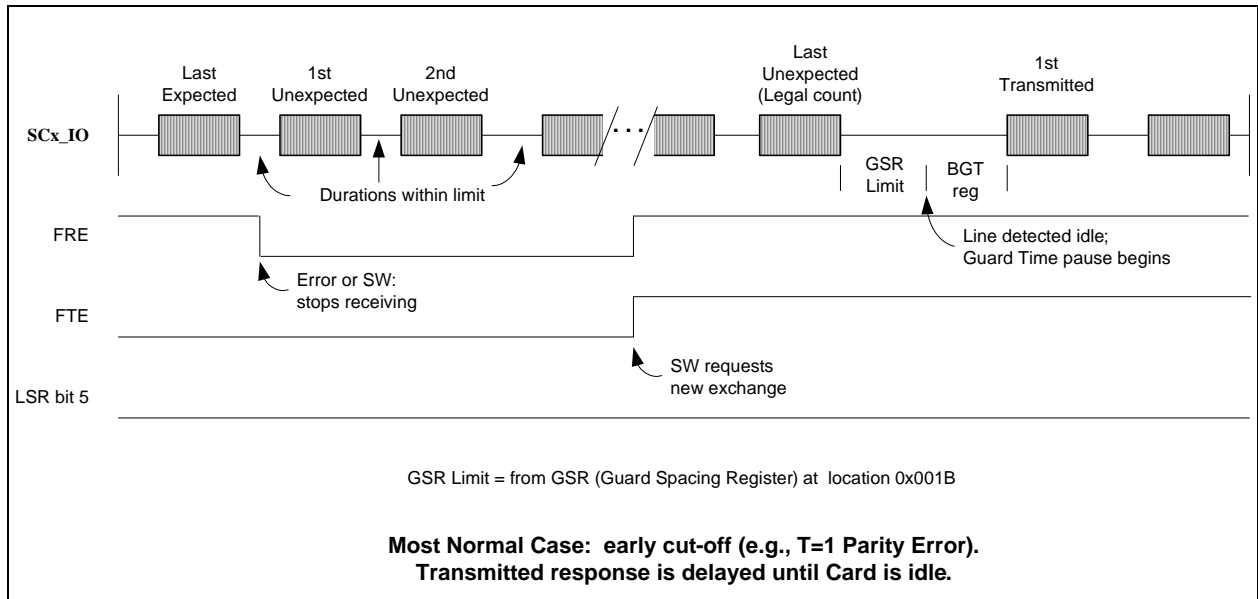


FIGURE 10-13: GUARD TIME ALGORITHM, NO ERROR, TRANSMIT HELD

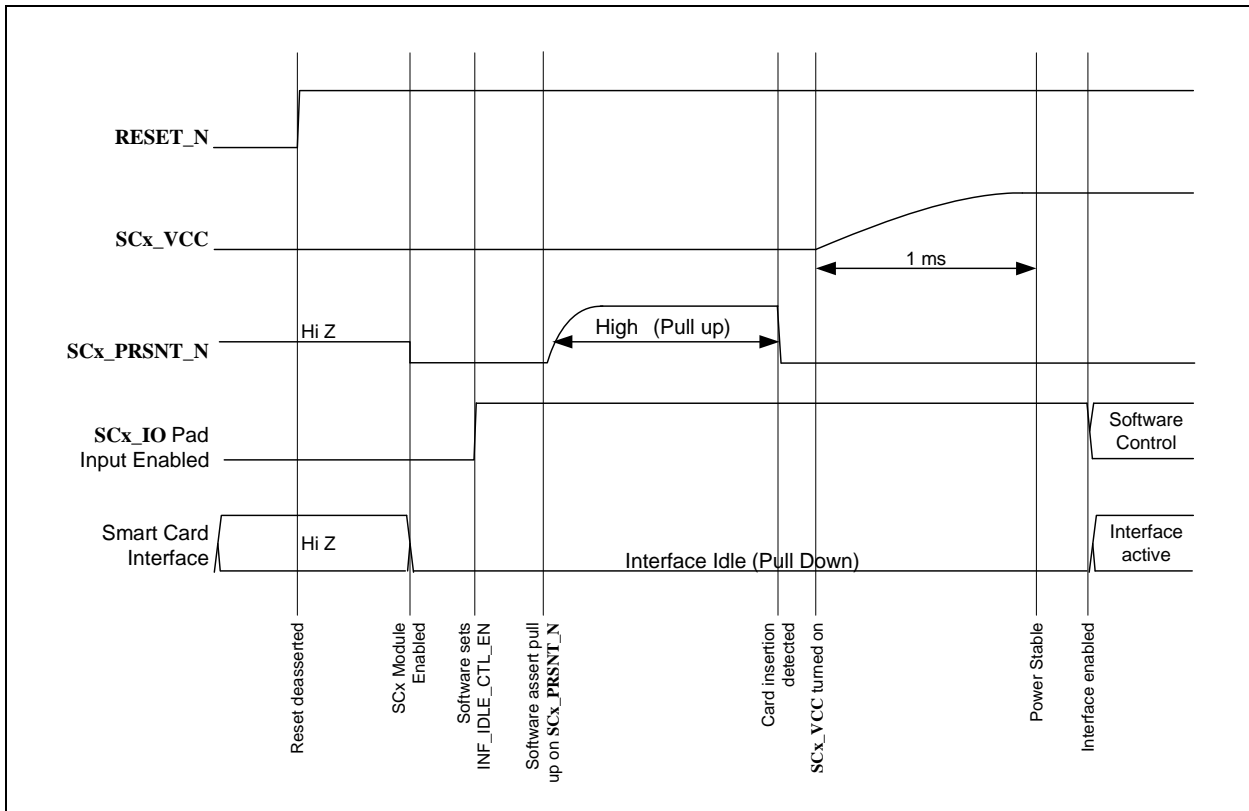


10.9.5 CARD POWER FOR SMART CARD INTERFACE

The pins on this interface are powered by **SCx_VCC**. If the Smart Card interface is not used, the **SCx_VCC** can be used to implement variable voltage GPIOs. The control for the regulator is in the **CLK_PWR** block.

The power to the Smart Card should not be turned on till a card is detected. When there is no card present, enable the synchronous Smart Card interface, turn all the bits to inputs, and enable the pull-down resistors. This will ensure that the output signals are held at ground. Once a card is detected, enable the power first, wait at least 1 mS, then enable the asynchronous or synchronous interface as necessary.

FIGURE 10-14: SMART CARD POWER-UP



10.9.6 LED CONTROL FOR SMART CARD INTERFACE

The Smart Card LED can be driven in one of three ways. It can be driven directly by the Smart Card IP in asynchronous Mode. This Mode is selected by selecting the GPIO5 to be Auxiliary Port A Mode (**SC_LED_ACT_N** bit in the GPIO block). When running in synchronous Mode firmware must control the LED directly by controlling SC_LEDC Register. The LED can either be set to blink automatically, or run under full manual control. Blinking is controlled by the LED1_GPIO1_CTL. Alternatively, the firmware can set the GPIO5 to be in GPIO Mode, and can control the LED directly by writing to GPIO_POR0_OUT bit 5. Full manual is done by controlling the register directly.

10.9.7 ENABLING THE SYNCHRONOUS SMART CARD INTERFACE

The synchronous interface is enabled through the Control Register in the Wrapper Block.

10.10 Register Map

TABLE 10-3: SMART CARD MEMORY MAP

| (0X9000-0X93FF) | | SMART CARD CONTROL REGISTER |
|-----------------|------------------------|--|
| ADDRESS | NAME | DESCRIPTION |
| 0x9000-0x90FF | Smart Card 1 registers | Base address of Smart Card 1 registers. The register offsets from this base address are defined in Table 10-5 on page 68 . |
| 0x9100-0x92FF | Smart Card SC_FIFO | Common SC_FIFO for Smart Card 1 and 2. The SC1_SC_FIFO_DIS bit in the SC_CTL Register controls which of the Smart Card controllers are using the SC_FIFO. In the SEC1110, the SC_FIFO is controlled only by Smart Card 1 controller. |
| 0x9300-0x90FF | Smart Card 2 Registers | Base address of Smart Card 2 registers. The register offsets from this base address are defined in Table 10-5, "Smart Card Control Register," on page 68 . |

The Smart Card Controller Register offsets to the base addresses are defined below.

TABLE 10-4: SMART CARD1, 2 CONTROLLER REGISTERS

| OFFSET ADDRESS | NAME | R/W | DESCRIPTION | PAGE |
|-----------------|-----------------|-----|-----------------------------------|------|
| 0x0000 | SC_TBR_RBR | R/W | 8 bit FIFO Data | 74 |
| 0x0001 | SC_IEN | R/W | Interrupt enable | 74 |
| 0x0002 | SC_INT_ID | R | Interrupt ID | 75 |
| 0x0003 | SC_LCR | R/W | Line control | 76 |
| 0x0004 | SC_INTF_MON | R/W | Interface Monitor | 77 |
| 0x0005 | SC_LSR | R | Line status | 78 |
| 0x0006 | SC_BMC | R/W | Block Master Control | 78 |
| 0x0007 | SC_ICR | R/W | Interface Control | 79 |
| 0x0008~ 0x000B | SC_DATA | R/W | 32 bit FIFO Data | 79 |
| 0x000C | SC_PRS | R/W | Protocol Status | 80 |
| 0x000D | SC_PRIP | R/W | Protocol/Timer Interrupts Pending | 80 |
| 0x000E | SC_PRIE | R/W | Protocol/Timer Interrupts Enables | 81 |
| 0x000F | SC_TMS | R | Timer Status | 82 |
| 0x0010~ 0x0011 | SC_DLL/SC_DLM | R/W | Baud Rate Divisor | 82 |
| 0x0012 | SC_FCR | R/W | FIFO Control | 82 |
| 0x0013~ 0x0015 | SC_TOL/SC_TOM | R/W | Timeout Timer | 83 |
| 0x0016 ~ 0x0017 | SC_DCL/SC_DCM | R/W | Down Counter | 84 |
| 0x0018 ~ 0x0019 | SC_CWTL/SC_CWTM | R/W | CWT Timer reload value | 84 |
| 0x001B | SC_GSR_MSB | R/W | Guard Algorithm Spacing Register | 84 |
| 0x001C | SC_EGT | R/W | Guard Timer Reload A | 85 |
| 0x001D | SC_BGT | R/W | Guard Timer Reload B | 85 |
| 0x001E | SC_PRM | R/W | Protocol Mode | 86 |
| 0x001F | SC_TCTL | R/W | Timer Control | 86 |
| 0x0025 | SC_CLK_DIV | R/W | Frequency control | 87 |
| 0x0026 | SC_CFG | R/W | SC Configuration | 87 |

SEC1110/SEC1210

TABLE 10-4: SMART CARD1, 2 CONTROLLER REGISTERS (CONTINUED)

| OFFSET ADDRESS | NAME | R/W | DESCRIPTION | PAGE |
|-----------------|-----------------|-----|-------------------------|------|
| 0x0027 | SC_LEDC | R/W | LED Control | 88 |
| 0x0028~ 0x0029 | SC_FTHL/SC_FTHM | R/W | FIFO Threshold | 88 |
| 0x002A~ 0x002B | SC_FCL/SC_FCM | R | Number of bytes in FIFO | 89 |
| 0x002C | SC_FLL | R/W | Filter Length | 89 |
| 0x002D | SC_FINS | R/W | Filter INS Byte | 90 |
| 0x0030 ~ 0x0035 | SC_TEST3 | R/W | Test Registers | 91 |
| 0x0080 | SC_CTL | R/W | SC Control Register | 68 |
| 0x0081 | PAD_CTL_SC | R/W | Pad current control | 69 |
| 0x0090 | SC_Sync_RST | R/W | Synchronous Mode Reset | 69 |
| 0x0094 | SC_Sync_CLK | R/W | Synchronous Mode Clock | 70 |
| 0x0098 | SC_Sync_FCB | R/W | Synchronous Mode FCB | 70 |
| 0x009C | SC_Sync_SPU | R/W | Synchronous Mode SPU | 71 |
| 0x00A0 | SC_Sync_IO | R/W | Synchronous Mode Data | 72 |
| 0x00A4 | SC_Sync_ALL | R/W | Synchronous Mode ALL | 72 |

10.11 Smart Card Wrapper Control Registers

TABLE 10-5: SMART CARD CONTROL REGISTER

| SC_CTL (0X0080- RESET=0X00) | | | SMART CARD CONTROL REGISTER |
|--------------------------------|------------------|-----|---|
| BYTE | NAME | R/W | DESCRIPTION |
| 7 | INTERFACE_ENABLE | R/W | If the interface is not enabled, the interface pins are tri-stated. |
| 6 | INF_IDLE_CTL_EN | R/W | Enable automatic control of interface idle condition. Setting this bit will automatically drives SCx_CLK, SCx_RST_N, SCx_C4, SCx_C8 pins to logic LOW and SCx_IO pin to a value programmed in INF_IDLE_IO_VAL bit when INTERFACE_ENABLE=0. When INTERFACE_ENABLE=1 all IOs are controlled by the SCC, where the state of the SYNC_MODE_SEL does not matter. |
| 5 | Reserved | R | Always read as 0 |
| 4 | INF_IDLE_IO_VAL | R/W | This bit indicates the value to be driven on the SCx_IO line when INF_IDLE_CTL_EN bit is set. This bit is available in SEC1110/SEC1210 |
| 3 | SC1_SC_FIFO_DIS | R/W | This bit indicates if Smart Card 1 is using the SC_FIFO. 0: SC1 using SC_FIFO 1: In SEC1210, SC2 is using SC_FIFO. In SEC1110 this bit is a don't care. |
| 2 | SC_SLOW_CLK | R/W | Must be set when SCx_CLK is running under 10 MHz. This bit is not used in the SEC1110/SEC1210 parts. |
| 1 | SC_MODE | R/W | Forces the pads into a low current Smart Card Mode with increased hysteresis. This applies to all Smart Card pins except SC_CLK. This bit is not used in the SEC1110/SEC1210 parts. |
| 0 | SYNC_MODE_SEL | R/W | Setting this bit put the Smart Card interface into the synchronous Mode. |

The pads **SCx_RST_N**, **SCx_CLK**, **SCx_IO**, **SCx_C4**, **SCx_C8** are controlled by the SCC block when **GPIO[4:0]** for Smart Card1 and **GPIO[18:16]** for Smart Card2 are in GPIO Auxiliary A Mode. The GPIO5 must also be in Auxiliary A Mode to support LED functionality for both Smart Cards.

The **INF_IDLE_IO_EN**, **INF_IDLE_IO_VAL** bits may be used during Smart card activation and deactivation sequence to ensure **SCx_RST_N**, **SCx_CLK**, **SCx_IO**, **SCx_C4**, **SCx_C8** pins are low even in the presence of external pull-up loads.

Note: In SEC1110/SEC1210 version of the chip, the **INF_IDLE_CTL_EN** bit asserts the pull-down (67 kΩ) to the Smart Card pads, which may be insufficient to ensure V_{OL} is met in the presence of external pull-up loads. Hence the GPIO mode must be used during the activation and deactivation sequence.

10.11.1 AUTOMATIC CONTROL OF IDLE CONDITION ON SMART CARD INTERFACE

Smart Card specification requires that the interface signals be held at zero until a card is inserted, power is applied to the card, and the reset sequence is started. The **INF_IDLE_CTL_EN** bit works in conjunction with the **INTERFACE_ENABLE** bit to do this. When the interface is in the idle state, (**INTERFACE_ENABLE**=0), pull-downs are enabled, and the control signals are driven zero. As soon as the interface is enabled, (**INTERFACE_ENABLE**=1) control of IO pad signals reverts to the Smart Card Controller (SCC). See figure [FIGURE 10-14: on page 66](#).

The **INF_IDLE_CTL_EN** bit asserts the pull-down (67 KΩ) to the Smart Card pads, which may be insufficient to ensure V_{OL} is met in the presence of external pull-up loads. Hence the GPIO mode must be used during the activation and deactivation sequence.

TABLE 10-6: SMART CARD CURRENT CONTROL REGISTER

| PAD_CTL_SC (0X0081 - RESET=0X00) | | | PAD CURRENT CONTROL |
|-------------------------------------|----------|-----|----------------------------|
| BIT | NAME | R/W | DESCRIPTION |
| 7:2 | Reserved | R | Always read as 0 |
| 1:0 | SEL | R/W | This register is not used. |

10.12 Synchronous Interface Registers

All registers in the Synchronous Interface are byte addressable. This allows the firmware to toggle the output using byte writes without affecting any other register bits. There are five control lines associated with the interface that are controlled by five identical registers.

Each of the Synchronous Interface registers consists of two bytes, a low address byte and a high address byte.

TABLE 10-7: SMART CARD SYNC RST CONTROL REGISTER

| SC_SYNC_RST (0X0091- RESET=0X00) | | | SMART CARD CONTROL REGISTER |
|-------------------------------------|-----------------|-----|--|
| BIT | NAME | R/W | DESCRIPTION |
| 7:6 | Reserved | R | Always read as 0 |
| 5 | INPUT_EN | R/W | 1 : Input is enabled 0 : Input is disabled |
| 4 | OUTPUT_EN | R/W | 1 : Output is enabled 0 : Output is disabled |
| 3 | FAST_OPEN_DRAIN | R/W | If this bit is set, and the Mode is Output, the signal is driven low when the data is 0. When the data transitions to 1, it is actively driven high for one clock cycle before being tri-stated. |
| 2 | OPEN_DRAIN | R/W | If this bit is set, and the Mode is Output, the SCx_RST_N output is driven open drain; 0 are driven, 1 are tri-stated. |
| 1 | PULL_UP_EN | R/W | When set, it enables the pull-up to this pin. |

SEC1110/SEC1210

TABLE 10-7: SMART CARD SYNC RST CONTROL REGISTER (CONTINUED)

| SC_SYNC_RST (0X0091- RESET=0X00) | | | SMART CARD CONTROL REGISTER |
|-------------------------------------|------------|-----|--|
| BIT | NAME | R/W | DESCRIPTION |
| 0 | PULL_DN_EN | R/W | When set, it enables the pull-down to this pin. |
| (0X0090- RESET=0X00) | | | |
| 7:2 | Reserved | R | Always read as 0 |
| 1 | RST_IN | R | This bit reflects the state of the SC _x _RST_N pin when select muxes are set to Smart Card Mode and synchronous Mode. |
| 0 | RST_OUT | R/W | This bit reflects the state of the SC _x _RST_N pin when select muxes are set to Smart Card Mode and synchronous Mode. |

Note: In the SEC1110/SEC1210 version, the **OPEN_DRAIN** bit is not functional. The **FAST_OPEN_DRAIN** bit can be used instead. This Anomaly 16 is fixed in later versions.

TABLE 10-8: SMART CARD SYNC CLK CONTROL REGISTER

| SC_SYNC_CLK (0X0095- RESET=0X00) | | | SMART CARD SYNC CLOCK CONTROL REGISTER |
|-------------------------------------|-----------------|-----|---|
| BIT | NAME | R/W | DESCRIPTION |
| 7:6 | Reserved | R | Always read as 0 |
| 5 | INPUT_EN | R/W | 1 : Input is enabled 0 : Input is disabled |
| 4 | OUTPUT_EN | R/W | 1 : Output is enabled 0 : Output is disabled |
| 3 | FAST_OPEN_DRAIN | R/W | If this bit is set, and the Mode is Output, the signal is driven low when the data is 0. When the data transitions to 1, it is actively driven high for one system clock cycle before being tri-stated. |
| 2 | OPEN_DRAIN | R/W | If this bit is set, and the Mode is output, the SC_CLK output is driven open drain. 0 are driven, 1 are tri-stated. |
| 1 | PULL_UP_EN | R/W | When set, it enables the pull-up to this pin. |
| 0 | PULL_DN_EN | R/W | When set, it enables the pull-down to this pin. |
| (0X0094- RESET=0X00) | | | |
| 7:2 | Reserved | R | Always read as 0 |
| 1 | CLK_IN | R | This bit reflects the state of the SC _x _CLK pin when select muxes are set to Smart Card Mode and synchronous Mode. |
| 0 | CLK_OUT | R/W | This bit reflects the state of the SC _x _CLK pin when select muxes are set to Smart Card Mode and synchronous Mode. |

TABLE 10-9: SMART CARD SYNC FCB CONTROL REGISTER

| SC_SYNC_FCB (0X0099)- RESET=0X00) | | | SMART CARD FCB CONTROL REGISTER |
|--------------------------------------|-----------|-----|---|
| BIT | NAME | R/W | DESCRIPTION |
| 7:6 | Reserved | R | Always read as 0 |
| 5 | INPUT_EN | R/W | 1 : Input is enabled 0 : Input is disabled |
| 4 | OUTPUT_EN | R/W | 1 : Output is enabled 0 : Output is disabled |

TABLE 10-9: SMART CARD SYNC FCB CONTROL REGISTER (CONTINUED)

| SC_SYNC_FCB (0X0099)- RESET=0X00) | | | SMART CARD FCB CONTROL REGISTER |
|--------------------------------------|-----------------|-----|---|
| BIT | NAME | R/W | DESCRIPTION |
| 3 | FAST_OPEN_DRAIN | R/W | If this bit is set, and the Mode is output, the signal is driven low when the data is 0. When the data transitions to 1, it is actively driven high for one system clock cycle before being tri-stated. |
| 2 | OPEN_DRAIN | R/W | If this bit is set, and the Mode is output, the SCx_C4 output is driven open drain; 0 are driven, 1 are tri-stated. |
| 1 | PULL_UP_EN | R/W | When set, it enables the pull-up to this pin. |
| 0 | PULL_DN_EN | R/W | When set, it enables the pull-down to this pin. |
| (0X0098)- RESET=0X00) | | | |
| 7:2 | Reserved | R | Always read as 0 |
| 1 | FCB_IN | R | This bit reflects the state of the SCx_C4 pin when select muxes are set to Smart Card Mode. Synchronous or asynchronous Mode does not matter. |
| 0 | FCB_OUT | R/W | This bit reflects the state of the SCx_C4 pin when select muxes are set to Smart synchronous Mode. Synchronous or asynchronous Mode does not matter. |

TABLE 10-10: SMART CARD SYNC SPU CONTROL REGISTER

| SC_SYNC_SPU (0X009D- RESET=0X00) | | | SMART CARD SPU CONTROL REGISTER |
|-------------------------------------|-----------------|-----|---|
| BIT | NAME | R/W | DESCRIPTION |
| 7:6 | Reserved | R | Always read as 0 |
| 5 | INPUT_EN | R/W | 1 : Input is enabled 0 : Input is disabled |
| 4 | OUTPUT_EN | R/W | 1 : Output is enabled 0 : Output is disabled |
| 3 | FAST_OPEN_DRAIN | R/W | If this bit is set, and the Mode is output, the signal is driven low when the data is 0. When the data transitions to 1, it is actively driven high for one system clock cycle before being tri-stated. |
| 2 | OPEN_DRAIN | R/W | If this bit is set, and the Mode is output, the SCx_C8 output is driven open drain; 0 are driven, 1 are tri-stated. |
| 1 | PULL_UP_EN | R/W | When set, it enables the pull-up to the SCx_C8 pin. |
| 0 | PULL_DN_EN | R/W | When set, it enables the pull-down to the SCx_C8 pin. |
| (0X009C- RESET=0X00) | | | |
| 7:2 | Reserved | R | Always read as 0 |
| 1 | SPU_IN | R | This bit reflects the state of the SCx_SPU pin when select muxes are set to Smart Card Mode. Synchronous or asynchronous Mode does not matter. |
| 0 | SPU_OUT | R/W | This bit reflects the state of the SCx_SPU pin when select muxes are set to Smart Card Mode. Synchronous or asynchronous Mode does not matter. |

SEC1110/SEC1210

TABLE 10-11: SMART CARD SYNC IO CONTROL REGISTER

| SC_SYNC_IO (0X00A1- RESET=0X00) | | | SMART CARD IO CONTROL REGISTER |
|------------------------------------|-----------------|-----|---|
| BIT | NAME | R/W | DESCRIPTION |
| 7:6 | Reserved | R | Always read as 0 |
| 5 | INPUT_EN | R/W | 1 : Input is enabled 0 : Input is disabled |
| 4 | OUTPUT_EN | R/W | 1 : Output is enabled 0 : Output is disabled |
| 3 | FAST_OPEN_DRAIN | R/W | If this bit is set, and the Mode is output, the signal is driven low when the data is 0. When the data transitions to 1, it is actively driven high for one system clock cycle before being tri-stated. |
| 2 | OPEN_DRAIN | R/W | If this bit is set, and the Mode is output, the SC_IO output is driven open drain; 0 are driven, 1 are tri-stated. |
| 1 | PULL_UP_EN | R/W | When set, it enables the pull-up to this pin. |
| 0 | PULL_DN_EN | R/W | When set, it enables the pull-down to this pin. |
| (0X00A0- RESET=0X00) | | | |
| 7:2 | Reserved | R | Always read as 0 |
| 1 | IO_IN | R | This bit reflects the state of the SCx_IO pin when select muxes are set to Smart Card Mode as well as synchronous Mode. |
| 0 | IO_OUT | R/W | This bit reflects the state of the SCx_IO pin when select muxes are set to Smart synchronous Mode. |

The SC_SYNC_ALL Register provides parallel control to read and write all of the Smart Card pads at the same time. The bits **CARD_RST_CNTL**, **CARD_CLK_CNTL**, **CARD_IO_CNTL**, **CARD_FCB_CNTL**, and **CARD_SPU_CNTL** provide read (and write) access to the respective Synchronous registers IN (and OUT) bits respectively.

The Synchronous Register controls for each pad, such as **INPUT_EN**, **OUTPUT_EN**, **FAST_OPEN_DRAIN**, **OPEN_DRAIN**, **PULL_UP**, and **PULL_DOWN** in the respective registers need to be programmed before write access to this register.

Note: The Smart Card 2 interface does not have C4, C8 pins defined.

TABLE 10-12: SMART CARD SYNC ALL CONTROL REGISTER

| SC_SYNC_ALL (0X00A4- RESET=0X00) | | | SMART CARD ALL CONTROL REGISTER |
|-------------------------------------|---------------------------------|-----|---|
| BIT | NAME | R/W | DESCRIPTION |
| 7:6 | Reserved | R | Always read as 0 |
| 5 | CARD_SPU_CNTL (CARD_C8_CNTL) | R/W | A read indicates the status of the SC_SYNC_SPU.SPU_IN bit. A write to this bit writes the SC_SYNC_SPU.SPU_OUT bit. |
| 4 | CARD_FCB_CNTL (CARD_C4_CNTL) | R/W | A read indicates the status of the SC_SYNC_FCB.FCB_IN bit. A write to this bit writes the SC_SYNC_FCB.FCB_OUT bit. |
| 3 | CARD_IO_CNTL | R/W | A read indicates the status of the SC_SYNC_IO.IO_IN bit. A write to this bit writes the SC_SYNC_IO.IO_OUT bit. |
| 2 | CARD_CLK_CNTL | R/W | A read indicates the status of the SC_SYNC_CLK.CLK_IN bit. A write to this bit writes the SC_SYNC_CLK.CLK_OUT bit. |
| 1 | CARD_RST_CNTL | R/W | A read indicates the status of the SC_SYNC_RST.RST_IN bit. A write to this bit writes the SC_SYNC_RST.RST_OUT bit. |

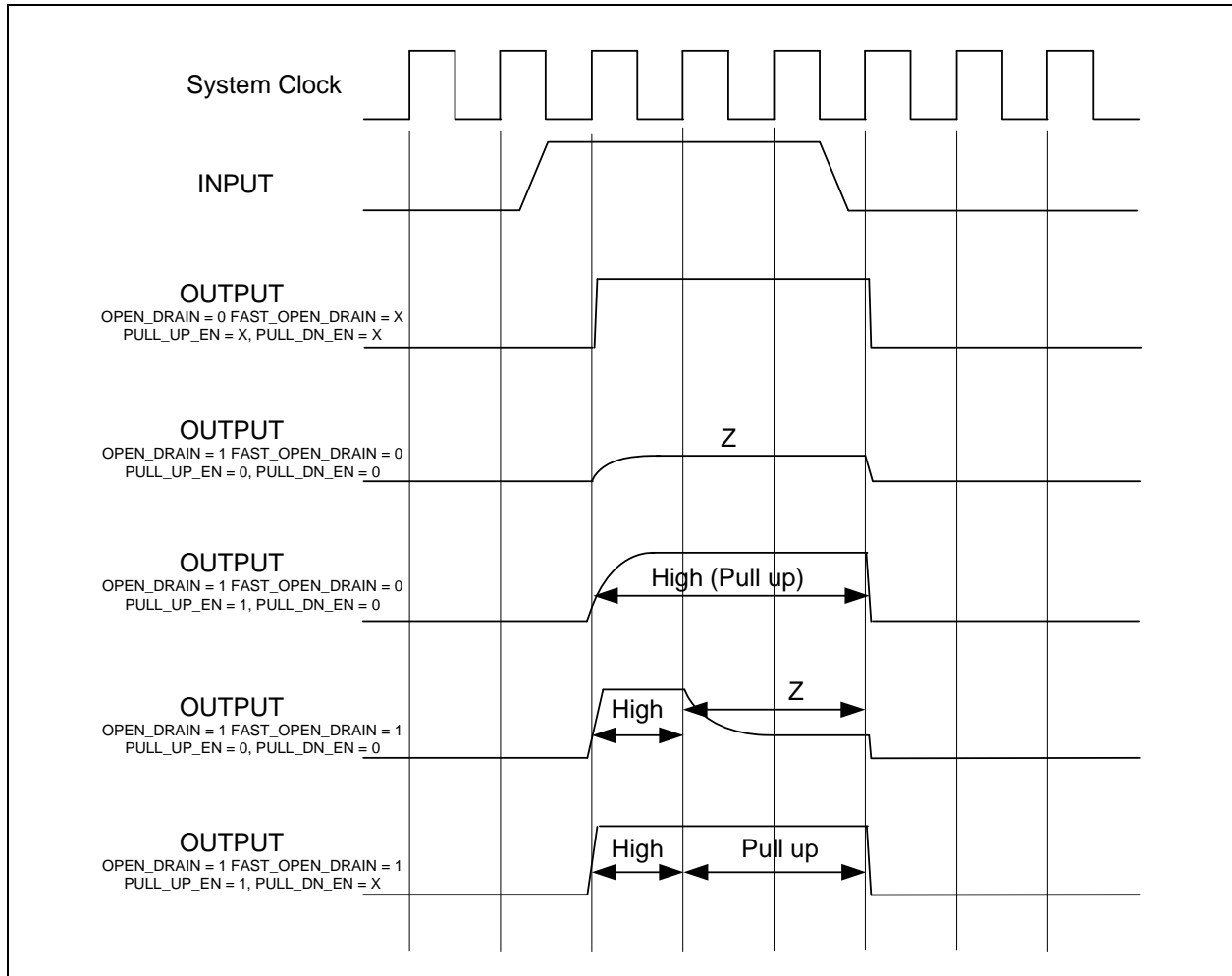
TABLE 10-12: SMART CARD SYNC ALL CONTROL REGISTER (CONTINUED)

| SC_SYNC_ALL (0X00A4- RESET=0X00) | | | SMART CARD ALL CONTROL REGISTER |
|-------------------------------------|---------------|-----|--|
| BIT | NAME | R/W | DESCRIPTION |
| 0 | CARD_VCC_CNTL | R/W | <p>This bit when reset disables power to the Smart Card 1 (or 2) pads.</p> <p>Resetting this bit causes masking of PWR_SC1_EN (or PWR_SC2_EN) bit in the POWER_CTL1 Register, controlling the voltage regulators to the Smart Card pads.</p> <p>This bit when set enables the PWR_SC1_EN (or PWR_SC2_EN) bit to control the voltage regulators to the Smart Card pads. The voltage applied is indicated by non-zero values of the PWR_SC1_EN (or PWR_SC2_EN) bit.</p> |

10.12.1 SYNCHRONOUS INTERFACE OUTPUT

The timing diagram shows how the output behaves under different register setting for the synchronous interface when configured as an output.

FIGURE 10-15: SMART CARD SYNCHRONOUS OUTPUT CONFIGURATIONS



SEC1110/SEC1210

10.13 Power

The Smart Card block is enabled when the **SC1_CLK_EN** (or **SC2_CLKEN**) is turned on in the SC1_CLK_DIV (or SC2_CLK_DIV) Register.

10.14 Asynchronous Interface Registers

The SEC1110 and SEC1210 have Smart Card Interfaces based on the ISO/IEC 7816 Standard.

10.14.1 ASYNCHRONOUS MODE REGISTERS

TABLE 10-13: SMART CARD TRANSMIT/RECEIVE BUFFER REGISTER

| SC_TBR_RBR (0X0000- RESET=0XXX) | | | SMART CARD TRANSMIT/RECEIVE BUFFER REGISTER |
|------------------------------------|------|-----|--|
| BIT | NAME | R/W | DESCRIPTION |
| 7:0 | DATA | R/W | Writing to this register causes the byte to be written to the FIFO, and an internal count is incremented for determining the length of the message to be transmitted. Writing too much information will cause the message to be silently truncated to the length of the FIFO. Reading from this register causes a byte to be read from the FIFO. This decrements the FIFO Count Register. If the FIFO Count Register is already zero, this causes the UE bit in the Line Status Register to be set to 1, and the Receiver is disabled from writing to the FIFO. |

TABLE 10-14: SMART CARD INTERRUPT ENABLE REGISTER

| SC_IEN (0X0001- RESET=0X00) | | | SMART CARD INTERRUPT ENABLE REGISTER |
|--------------------------------|-----------------|-----|---|
| BIT | NAME | R/W | DESCRIPTION |
| 7 | PRTI | R/W | 1: Enables the Protocol and Timer Interrupt. The sources of this interrupt are itemized in register PRIP. |
| 6 | AUTO_DA_PWR_OFF | R/W | For the SEC1110 and SEC1210 A0 version, this bit is not used. In the SEC1110 and SEC1210 A1 version onwards, the behavior is as follows: When this bit is set to 1, it indicates that SCx_VCC power is turned off automatically during auto-deactivation. Auto-deactivation occurs when a Smart Card is removed (SCx_PRSENT_N goes high), or the APDE bit is set and a non-recoverable parity error is encountered. This bit must not be set to 1 in SEC1110 and SEC1210 A1 version, for Class A, Class B modes. When this bit is set to 0 (default), it indicates that the hardware will go through the auto-deactivation sequence of driving RST, CLK, and IO lines low, but not power down SCx_VCC. An interrupt is raised when auto-deactivation occurs and software must follow the power down sequence. The interrupt source is from the GPIO (Card remove) due to the RLSI (non-recoverable parity error). |
| 5 | GPI | R/W | Set to 0. Do not use for SEC1110 and SEC1210. |
| 4 | PTI | R/W | Set to 0. Do not use for SEC1110 and SEC1210. |
| 3 | Reserved | R/W | Always write 0 |
| 2 | RLSI | R/W | 1 : Enables an interrupt on Line Status errors: Parity, Framing, Overflow or Underflow. |
| 1 | THRR1 | R/W | 1 : Enables an interrupt when the Transmitter has finished transmission of a message, including the minimum Guard Time (stop bits). |
| 0 | RDAI | R/W | 1 : Enables an interrupt when FIFO data is available to read, either by the threshold value or by any data at all in the FIFO after a timeout condition (e.g., the CWT Timer). |

10.14.1.1 Interrupt Identification

By accessing this register, the host CPU can determine the highest priority interrupt and its source. Four levels of priority interrupt exist with a descending order of priority as follows:

1. Receiver line status (highest priority)
2. Received data ready
3. Transmitter holding register empty or threshold has been reached
4. Protocol/Timer Interrupt

Information indicating that a prioritized interrupt is pending and the source of that interrupt is stored in the SC Interrupt Identification Register (refer to interrupt control table). When the CPU accesses the IIR, the Smart Card Interface freezes all interrupts and indicates the highest priority pending interrupt to the CPU. During this CPU access, even if the Smart Card Interface records new interrupts, the current indication does not change until either the interrupt is re-enabled or the event causing the interrupt is cleared and re-asserted. The contents of the SC_IIR are described below.

Note: Interrupts are re-enabled by writing a 1 to the interrupt enable bit. This bit does not need to be cleared to re-enable interrupts.

TABLE 10-15: SMART CARD INTERRUPT IDENTIFICATION REGISTER

| SC_INT_ID (0X0002- RESET=0B00XX00XX1) | | | SMART CARD INTERRUPT IDENTIFICATION REGISTER |
|--|-----------------|-----|--|
| BIT | NAME | R/W | DESCRIPTION |
| 7 | PRTI | R/W | 1 : Indicates the presence of a Protocol or Timer Interrupt. The sources of this interrupt are itemized in register PRIP, and are cleared by reading that register. |
| 6 | AUTO_DA_PWR_OFF | R/W | This bit is not used in the SEC1110/SEC1210 version. In SEC1110/SEC1210 version onwards, the behavior is as follows: This bit is set to 1 if the SC_IEN.AUTO_DA_PWR_OFF bit is set, and an auto-deactivation event occurred. This bit is cleared when both the SC_INTF_MON.CRMV bit and SC_LCR.APDE bits are cleared by software. |
| 5 | GPI | R/W | Do not use, SC_IEN to keep disabled |
| 4 | PTI | R/W | Do not use, SC_IEN to keep disabled |
| 3 | FTO | R/W | FIFO Timeout: 1 : Indicates a FIFO Data Timeout caused by the CWT Timer, or by the Timeout Timer in T=0 Mode, rather than the amount of received data reaching the Threshold value. It also indicates that the Receiver will be delivering no more data bytes to the FIFO. This bit is not an interrupt source, but is instead a status bit, which should be examined when processing the RDAI Interrupt. This bit is cleared by emptying or resetting the FIFO. |
| 2:1 | PRI | R/W | If the IP bit in this register is 0 (active), then this field holds the source of the interrupt |
| 0 | IP | R/W | 0 : Indicates that an interrupt is pending, and that the PRI field of this register indicates the highest priority level pending. 1 : Indicates that no interrupt is pending. |

Note: The traditional UART FIFO Control Register functions are no longer in a write-only register at this address. Instead, the FCR Register is a read/write register at location offset 0x0012, and the Threshold is in a separate pair of registers.

SEC1110/SEC1210

TABLE 10-16: INTERRUPT CONTROL TABLE

| INTERRUPT ID REGISTER FIELDS | | | | | | | | PRIORITY LEVEL & ENABLE | INTR. TYPE | INTR. SOURCE | INTR. RESET CONTROL |
|------------------------------|------|-----|-----|-----|-----|----|---|-------------------------|------------------------------|--|---|
| PRTI | OCSI | GPI | PTI | FTO | PRI | IP | | | | | |
| BITS | | | | | | | | | | | |
| 7 | 6 | 5 | 4 | 3 | 2 | 1 | 0 | | | | |
| X | NA | NA | NA | X | X | X | 1 | - | None | None | - |
| X | 1 | NA | NA | X | 1 | 1 | 0 | First SC_IEN bit 6 | AUTO_DA_PW R_OFF | Auto-deactivation due to Smart Card removal or non-recoverable parity error | Clearing the SC_IEN.AUTO_DA_PWR_OFF bit |
| X | NA | NA | NA | X | 1 | 1 | 0 | First & SC_IEN bit 2 | Line Status | Overrun Error, Parity Error, Frame Error, Underflow Error, or TF (Guard Algorithm Timeout) | Reading the Line Status Register |
| X | NA | NA | NA | 0 | 1 | 0 | 0 | Second & SC_IEN bit 0 | Received Data available | Receiver Data available | Reading from the FIFO until its level drops below the threshold level |
| X | NA | NA | NA | 1 | 1 | 0 | 0 | Second & SC_IEN bit 0 | Character Timeout indication | CWT or Timeout Timer underflow with data in FIFO. | Reading from the FIFO |
| X | NA | NA | NA | X | 0 | 1 | 0 | Third & SC_IEN bit 1 | Transmit Finished | Transmit Phase of Exchange is complete | Reading the IID Register |
| 1 | NA | NA | NA | X | 0 | 0 | 0 | Fourth & SC_IEN bit 7 | Protocol Timer Timeout | GP Counter underflow (normal) or Timeout, CWT or Guard Timer underflow (errors) | Reading the PRIP Register |

TABLE 10-17: SMART CARD LINE CONTROL REGISTER

| SC_LCR (0X0003- RESET=0X00) | | | SMART CARD LINE CONTROL REGISTER |
|-----------------------------|-----------|-----|---|
| BIT | NAME | R/W | DESCRIPTION |
| 7:6 | DLAB | R/W | These bits are forced to zero. |
| 5 | DCEN | R/W | General Purpose Down Counter Enable: 1 : Starts the counter. See Section 10.5.3, "Recommended etu Rates and Settings," on page 51 for details. |
| 4 | CARD_FAKE | R/W | In SEC1110/SEC1210, always read as 0. In SEC1110/SEC1210 this bit is used to fake the SCx_PRSENT_N input as active. 0 : No card fake. (default). The card presence is based on SCx_PRSENT_N pin through the GPIO block. 1 : Fake card presence. This bit if set, causes the Smart card hardware to ignore SCx_PRSENT_N pin, and assume card is present. The fake card presence is still validated through debounce delays. This feature enables usage of SCx_PRSENT_N pin for other purposes. |

TABLE 10-17: SMART CARD LINE CONTROL REGISTER (CONTINUED)

| SC_LCR (0X0003- RESET=0X00) | | | SMART CARD LINE CONTROL REGISTER |
|--------------------------------|--------------|-----|---|
| BIT | NAME | R/W | DESCRIPTION |
| 3 | PER_SIG_MODE | R/W | In SEC1110/SEC1210, always read as 0. In SEC1110/SEC1210 this bit indicates the assertion time of parity error. 0 : Parity error is signaled for one ETU, as measured by internal block sc_clk. The actual width of parity error depends on rise/fall delays of SCx_IO line. (default) 1 : Parity error is signaled for 1.25 ETU, as measured by internal block sc_clk. This setting ensures, that the parity error assertion width is independent of rise/fall time on SCx_IO line. |
| 2 | TMO_CONFIG | R/W | This bit defines the unit resolution of Timeout Timer. 0 : Timeout Timer Unit Resolution is in 1.25 milliseconds. 1 : Timeout Timer Unit Resolution is one ETU. |
| 1 | APDE | R/W | Automatic Parity-Error Deactivate Enable: 1 : Causes the ICC to be deactivated by hardware upon a non-recoverable parity error. The device must also be in T=0 Mode for this to occur. If the CRE bit is also 0, this will occur without performing character repetition or signalling to the ICC. |
| 0 | CRE | R/W | Character Repeat Enable: 1 : Enables character repeat in T=0 Mode if a Parity Error is signalled by the ICC. |

TABLE 10-18: SMART CARD INTERFACE MONITOR REGISTER

| SC_INTF_MON (0X0004- RESET=0B00X10XX0) | | | SMART CARD INTERFACE MONITOR REGISTER |
|---|----------|-----|---|
| BIT | NAME | R/W | DESCRIPTION |
| 7 | FFULL | R/W | FIFO Full: indicates that the FIFO is completely full with data to be transmitted. |
| 6 | Reserved | R | Always read as 0 |
| 5 | PSNT | R/W | This pin reflects the state of the SCx_PRSNT_N pin. |
| 4 | CRMV | R/W | Card Removed: This bit is set to 1 when a card is being removed. It is a read-only 1, and cannot be cleared by software, as long as the debounced version of the SCx_PRSNT_N signal is high. When SCx_PRSNT_N goes low, this bit can be cleared by writing a 1 to it. While this bit is 1, the SC_ICR Register is held to its default state, which holds the signals SCx_IO, SCx_CLK and SCx_RST_N low. |
| 3 | FTH | R/W | 1 : Indicates the presence of a FIFO Threshold Interrupt request. |
| 2 | RST_N | R/W | Indicates the current state of the SCx_RST_N pin. |
| 1 | IO | R/W | Indicates the current state of the SCx_IO pin. |
| 0 | CRPT | R/W | Indicates, in T=0 Mode, whether any characters needed to be repeated to the ICC. This bit may be cleared by writing a 1 to it. This is an indicator only. |

SEC1110/SEC1210

TABLE 10-19: SMART CARD LINE STATUS REGISTER

| SC_LSR (0X0005- RESET=0XXX) | | | SMART CARD LINE STATUS REGISTER |
|--------------------------------|------------------|-----|---|
| BIT | NAME | R/W | DESCRIPTION |
| 7 | ETR | R/W | Indicates whether a Parity Error (bit 2) occurred in the Transmit phase (0) or the Receive phase (1) of an exchange. |
| 6 | TRANSMIT_EMPTY | R/W | This bit is cleared to 0 at the beginning of transmission, and is set to 1 when the transmission completes, including Guard Time (stop bit(s)) of the last character. |
| 5 | TRANSMIT_FAILURE | R/W | Indicates that a Guard Time algorithm failure occurred. |
| 4 | UNDERFLOW_ERROR | R/W | 1 : Indicates that a software error has caused an attempt to read from the FIFO while it is empty. Since this can add indeterminate bytes to a message, the Receiver is disabled to the FIFO, by clearing the FRE bit. |
| 3 | FRAMING_ERROR | R/W | 1 : Indicates that a Framing Error has been seen on received data. It disables the Receiver from the FIFO, by clearing the FRE bit in the FCR Register upon its occurrence, after placing the character with the error into the FIFO. Reading this register clears this bit. |
| 2 | PARITY_ERROR | R/W | 1 : Indicates a Parity Error. It disables the Receiver or the Transmitter from the FIFO upon its occurrence, by clearing the FRE or FTE bit in the FCR Register. If the error is seen while receiving, the FRE bit will be cleared after receiving the character with the error into the FIFO. Reading this register clears this bit. If the APDE bit in the LCR Register is 1, the error will also deactivate the ICC immediately by hardware action. |
| 1 | OVERRUN_ERROR | R/W | 1 : Indicates that too much data has been received from the ICC, so that the FIFO became completely full and lost a character. This error disables the Receiver or the Transmitter from the FIFO upon its occurrence, by clearing the FRE bit. Note: Attempting to transmit a message longer than the FIFO length will silently truncate the message, but will not set this bit. |
| 0 | DATA_READY | R/W | 1 : Indicates that the FIFO is not empty of received data. This bit is not affected by reading this register. |

Note: All bits except SC_LSR.DATA_READY (bit 0) are automatically cleared after reading this register.

TABLE 10-20: SMART CARD BLOCK MASTER CONTROL REGISTER

| SC_BMC (0X0006- RESET=0X00) | | | SMART CARD BLOCK MASTER CONTROL REGISTER |
|--------------------------------|----------|-----|--|
| BIT | NAME | R/W | DESCRIPTION |
| 7:2 | Reserved | R | Always read as 0 |
| 1 | GIE | R/W | Global Interrupt Enable: A 0 in this bit position disables all interrupts from the Smart Card interface. |
| 0 | MRST | R/W | Software-Controlled Master Reset Control: Set this bit to 1 to reset the Smart Card block. The configuration section is not affected, and the GPIO section is not affected except that interrupts are disabled in the IEN Register. When the bit returns to 0, hardware is indicating that the reset is complete. |

TABLE 10-21: SMART CARD INTERFACE CONTROL REGISTER

| SC_ICR (0X0007- RESET=0B00001000) | | | SMART CARD INTERFACE CONTROL REGISTER |
|--------------------------------------|-------|-----|--|
| BIT | NAME | R/W | DESCRIPTION |
| 7 | RST_N | R/W | <p>SCx_RST_N Pin Control:</p> <p>The default value (0) holds the SC_RST_N pin low. A 1 in this bit causes the SCx_RST_N pin to drive high. This bit may be written to 1 or 0 by software, and the first underflow of the Guard Timer, while the Protocol Mode Register is indicating ATR Mode, sets this bit to 1, and causes the SC_RST_N pin to rise as part of the Reset/ATR sequence.</p> |
| 6 | ENG | R/W | <p>Enable Guard Timer:</p> <p>Writing 1 enables the Guard Timer to begin counting at the next triggering event. Writing 0 has no effect: to clear this bit, write 1 to the RSG bit in the Timer Control Register. This bit is cleared by hardware in ATR Mode when the first start bit is seen, or on an underflow from the BGT reload. In the second case, an interrupt request is also presented</p> |
| 5:4 | VPIN | R/W | Not used. |
| 3 | CSTP | R/W | <p>Clock Stop:</p> <p>1 : Stops the SCx_CLK signal either high or low, depending on the CSTL bit.</p> <p>0 : Causes the SCx_CLK signal to run. This signal is initially 1 on reset, causing SCx_CLK to be stopped in the low state.</p> <p>When setting this bit, the CPU clock must be multiple of SCx_CLK and CPU frequency must not be changed. Otherwise a clock glitch can occur on SCx_CLK. To avoid this, software synchronization must be done to read SCx_CLK and CSTP bit must be set with CSTL=0 when SCx_CLK is low.</p> |
| 2 | CSTL | R/W | <p>Clock Stop Level:</p> <p>When the CLKSTP bit is set, this bit indicates the state in which the SCx_CLK pin should stop: 1 means stop the clock high, 0 means stop the clock low. This bit is initially 0 on reset, causing SCx_CLK to be stopped in the low state.</p> |
| 1 | IO | R/W | <p>SCx_IO Pin Control:</p> <p>The default value (0) forces the SCx_IO pin low. Writing a 1 to this bit enables the SCx_IO pin to float and to drive high.</p> |
| 0 | IOPU | R/W | <p>1 : Enables a weak pull-up device on the SCx_IO pin. This device is internally disabled while the Transmitter is actively driving the SCx_IO pin.</p> |

TABLE 10-22: SMART CARD DATA REGISTER

| SC_DATA (0X0008-0X000B- RESET=0XXX) | | | SMART CARD DATA REGISTER |
|--|------|-----|--|
| BIT | NAME | R/W | DESCRIPTION |
| 7:0 | DATA | R/W | <p>Perform all transfers at the location DATA, regardless of size. Transferring a value at the DATA location has the same effect as transferring the individual bytes (LS byte first) at the SC_TBR_RBR location (0000), but is more efficient for the larger data types. In the SEC1110 and SEC1210, these registers are present for software compatibility to other parts.</p> |

SEC1110/SEC1210

TABLE 10-23: SMART CARD PROTOCOL STATUS REGISTER

| SC_PRS (0X000C- RESET=0X04) | | | SMART CARD PROTOCOL STATUS REGISTER |
|--------------------------------|-------------------|-----|---|
| BIT | NAME | R/W | DESCRIPTION |
| 7 | Reserved | R | Always read as 0 |
| 6 | INVALID_START_STS | R | <p>This bit is set when an invalid start bit received.</p> <p>Invalid start bit is detected when any of the below checks fail.</p> <ul style="list-style-type: none"> • Start bit period less than 0.5 etu • A level LOW check on SCx_IO pin at the sample time specified in the START_WIDTH_TOL register <p>This bit is reset when read or when RSE bit in SC_FCR register is set. In SEC1110/SEC1210, always read as 0.</p> |
| 5 | SMB | R/W | <p>State Machine Busy:</p> <p>1 : Indicates that a transfer is in progress</p> <p>0 : Indicates that no transfer is in progress (idle/finished)</p> |
| 4 | PWR | R/W | This bit is forced to 0 |
| 3 | ACTV | R/W | <p>Activity Bit:</p> <p>1 : Indicates that a character has been received since the last time this bit was cleared by software. This bit is cleared by software, by writing a 0 to this bit location (this is the only writable bit in this register). Only the RSE bit in the SC_FCR Register has to be 1 in order for this bit to detect activity, and the FRE bit does not have to be 1.</p> |
| 2 | GPH | R/W | <p>Guard Timer Phase:</p> <p>Indicates the current phase of operation for the Guard Timer:</p> <p>0 : next reload will be from the SC_EGT Register</p> <p>1 : next reload will be from the BGT Register</p> |
| 1 | TSM | R/W | <p>TS Mode:</p> <p>Indicates the current convention: 0 = direct, 1 = inverse. Writing a 1 to the ATR bit in the Protocol Mode Register initializes this bit to 0, and it can be manipulated using some test register features. Otherwise, it is a read-only bit.</p> |
| 0 | TSC | R/W | <p>TS Captured:</p> <p>1 : Indicates that a convention has been automatically captured from an ATR TS byte. Writing a 1 to the ATR bit in the Protocol Mode Register initializes this bit to 0, and it can be manipulated using some test register features. Otherwise, it is a read-only bit.</p> |

TABLE 10-24: SMART CARD PROTOCOL INTERRUPT PENDING REGISTER

| SC_PRIP (0X000D- RESET=0X00) | | | SMART CARD PROTOCOL INTERRUPT PENDING REGISTER |
|---------------------------------|------|-----|---|
| BIT | NAME | R/W | DESCRIPTION |
| 7 | GPT | R/W | 1 : General Purpose Down Counter Interrupt |
| 6 | TSW | R/W | 1 : Timeout waiting for the TS byte in ATR Mode. (Guard Timer, EGT reload phase.) |
| 5 | TMO | R/W | 1 : Timeout on the Timeout Timer (WWT, BWT or WTX) |
| 4 | CWT | R/W | 1 : Timeout on the CWT Timer (CWT, or timeout waiting for the ATR TS byte) |

TABLE 10-24: SMART CARD PROTOCOL INTERRUPT PENDING REGISTER (CONTINUED)

| SC_PRIP (0X000D- RESET=0X00) | | | SMART CARD PROTOCOL INTERRUPT PENDING REGISTER |
|---------------------------------|------|-----|--|
| BIT | NAME | R/W | DESCRIPTION |
| 3 | NULL | R | This bit if set indicates to the processor that a NULL byte was received. This bit may be used in T=0 Mode, to detect NULL byte reception, and indicate to host software. |
| 2 | EOM | R/W | 1 : End of Message indication from one of the T=0 Filter State Machines. If communication terminates prematurely or with an error, the CV bit will also be 1. |
| 1 | COLL | R/W | <p>This bit gets set on a collision detection, when the chip is transmitting on the SCx_IO line, and the feedback value on the SCx_IO line sampled at the middle of ETU, is different from the value transmitted. This error raises an interrupt if SC_PRIE.COLL bit This error indication causes resets to all Smart Card block state machines and clears FRE and FTE.</p> <p>If this bit is disabled, hardware ignores the collision and proceeds normally. However, the collision status will be available to SW. There is a possibility that further collisions will cause parity or timeout errors.</p> <p>This bit is also set if SCx_RST_N collision occurs (i.e., Terminal is asserting SCx_RST_N low, and this line is high, or vice-versa).</p> |
| 0 | CV | R/W | This is a status bit, not an interrupt source. 1 indicates that a code violation has occurred; either a bad TS value during ATR. In T=0 Mode with a Filter State Machine enabled, a code violation can be either an unrecognized Procedure Byte or an SW1 byte earlier than expected. |

Note: Some erroneous Smart Cards assert **SCx_IO** at 11 etu instead of 10.5 etu.

TABLE 10-25: SMART CARD PROTOCOL INTERRUPT ENABLE REGISTER

| SC_PRIE (0X000E- RESET=0X00) | | | SMART CARD PROTOCOL INTERRUPT ENABLE REGISTER |
|---------------------------------|------|-----|---|
| BIT | NAME | R/W | DESCRIPTION |
| 7 | GPT | R/W | 1 : Enables General Purpose Down Counter Timeout |
| 6 | TSW | R/W | 1 : Enables TSW Timeout waiting for the TS byte in ATR Mode. (Guard Timer, EGT reload phase) |
| 5 | TMO | R/W | 1 : Enables TMO Timeout on the Timeout Timer |
| 4 | CWT | R/W | 1 : Enables CWT Timeout on the CWT Timer |
| 3 | NULL | R | This bit if set enables an interrupt to the processor when a NULL byte is received. This bit may be enabled in T=0 Mode, to detect NULL byte reception, and indicate to host software. |
| 2 | EOM | R/W | 1 : Enables EOM End of Message |
| 1 | COLL | R/W | <p>1 : Enables COLL error detection</p> <p>If this bit is enabled, and a collision occurs, then only COLL status bit is updated, and the current transaction is aborted by the hardware.</p> |
| 0 | CV | R/W | 1 : Enables CV Interrupt |

Note: This register enables the interrupts coming from the PRIP Register.

SEC1110/SEC1210

TABLE 10-26: SMART CARD TIMER STATUS REGISTER

| SC_TMS (0X000F- RESET=0X10) | | | SMART CARD TIMER STATUS REGISTER |
|--------------------------------|----------------|-----|--|
| BIT | NAME | R/W | DESCRIPTION |
| 7:5 | Reserved | R | Always read as 0 |
| 4 | GS_MAX_TIMEOUT | R | This bit if set indicates that the maximum guard spacing timeout has happened. |
| 3 | TORUN | R | 1 : Indicates that the Timeout Timer has been triggered and is running |
| 2 | Reserved | R | Always read as 0 |
| 1 | CRUN | R | 1 : Indicates that the CWT Timer has been triggered and is running |
| 0 | GRUN | R | 1 : Indicates that the Guard Timer has been triggered and is running |

TABLE 10-27: SMART CARD BAUD DIVISOR LSB REGISTER

| SC_DLL (0X0010- RESET=0X01) | | | SMART CARD BAUD DIVISOR LSB REGISTER |
|--------------------------------|--------------|-----|---|
| BIT | NAME | R/W | DESCRIPTION |
| 7:0 | BAUD_DIV_7_0 | R/W | These are the lower 8 bits of the 16 bit baud rate divisor. The most significant 8 bits are held in the SC_DLM Register. The baud rate divisor, with the Sampling field of the CLK Register, divides the etu rate from the sc1_clk/sc2_clk input clock from the CLK_PWR block. |

TABLE 10-28: SMART CARD BAUD DIVISOR MSB REGISTER

| SC_DLM (0X0011- RESET=0X00) | | | SMART CARD BAUD DIVISOR MSB REGISTER |
|--------------------------------|---------------|-----|---|
| BIT | NAME | R/W | DESCRIPTION |
| 7:0 | BAUD_DIV_15_8 | R/W | These are the most significant 8 bits of the 16 bit baud rate divisor. The least significant 8 bits are held in the SC_DLL Register. The baud rate divisor, with the Sampling field of the CLK Register, divides the etu rate from the sc1_clk/sc2_clk input clock from the CLK_PWR block. |

TABLE 10-29: SMART CARD FIFO CONTROL REGISTER

| SC_FCR (0X0012- RESET=0X00) | | | SMART CARD FIFO CONTROL REGISTER |
|--------------------------------|----------|-----|--|
| BIT | NAME | R/W | DESCRIPTION |
| 7:6 | Reserved | R | Always read as 0 |
| 5 | RFS | R | Receiver FIFO Status: This bit indicates whether the Receiver is actively prepared to place characters into the FIFO. It may not match the FRE bit, if the Receiver is still waiting for a trigger to begin (e.g., waiting for transmission to complete). |
| 4 | RSS | R | Receiver Sampling Status: This bit indicates whether the Receiver is actively sampling for characters. It may not match the RSE bit, if the Receiver is still waiting for a trigger to begin. For example, in ATR Mode, it may not yet be active, pending a rising edge on the SCx_RST_N pin. |

TABLE 10-29: SMART CARD FIFO CONTROL REGISTER (CONTINUED)

| SC_FCR (0X0012- RESET=0X00) | | | SMART CARD FIFO CONTROL REGISTER |
|--------------------------------|------|-----|---|
| BIT | NAME | R/W | DESCRIPTION |
| 3 | RSE | R/W | Receiver Sampling Enable: 1 written to this bit enables the Receiver to sample the SCx_IO pin for characters. In ATR Mode, the sampling does not occur immediately, but waits for a rising edge on the SCx_RST_N pin first. This bit is cleared by an incoming error (e.g., repeated parity error in T=0 Mode, or CWT violation in T=1 Mode, or Overrun Error). While the Receiver is sampling, the BGT or DGT value in the Guard Timer Register continues to be used to inhibit the Transmitter, regardless of the state of the FRE bit. |
| 2 | FRST | W | FIFO Reset: Always reads as 0. A 1 written to this bit resets the FIFO to an Empty state. If an error has occurred while transmitting to the card, this function must be used to re-initialize the FIFO. |
| 1 | FRE | R/W | FIFO Receive Enable: Allows reception into the FIFO. Except in ATR Mode, a transmission has to occur before the Receiver is actually activated. In ATR Mode, a rising edge must occur on the SCx_RST_N pin before the Receiver is activated. This bit is turned off by errors occurring during reception or transmission (e.g., CWT timeout error); otherwise software must turn it off after receipt of a message, to prepare for the next exchange |
| 0 | FTE | R/W | FIFO Transmit Enable: Writing 1 to this bit triggers transmission from the FIFO. This bit is turned off by the normal end of transmission, when all bytes in the FIFO have been transmitted. It is also turned off by errors occurring during transmission (e.g., parity error after retransmissions in T=0 Mode). |

Note 1: This register provides control for FIFO access, and enables the Receiver and the Transmitter.

- 2:** In SEC1110/SEC1210 version, if the FIFO is disabled before a GSR timeout occurs, then the GSR timer is not reset. The software work-around is to wait for the GSR timer to expire. This *Anomaly 6* is fixed in later versions (SEC1110/SEC1210).

TABLE 10-30: SMART CARD TIMEOUT TIMER LEAST SIGNIFICANT BYTE (LSB) RELOAD REGISTER

| SC_TOL (0X0014- RESET=0X00) | | | SMART CARD TIMEOUT TIMER LSB RELOAD REGISTER |
|--------------------------------|-----------------|-----|--|
| BIT | NAME | R/W | DESCRIPTION |
| 7:0 | TIMER_RELOAD_LO | R/W | This register holds the LSB of the reload value for the Timeout Timer. |

TABLE 10-31: SMART CARD TIMEOUT TIMER MIDDLE SIGNIFICANT BYTE (MSB) RELOAD REGISTER

| SC_TOM (0X0015- RESET=0X00) | | | SMART CARD TIMEOUT TIMER MIDDLE MSB RELOAD REGISTER |
|--------------------------------|-----------------|-----|---|
| BIT | NAME | R/W | DESCRIPTION |
| 7:0 | TIMER_RELOAD_MI | R/W | This register holds the middle MSB of the reload value for the Timeout Timer. |

SEC1110/SEC1210

TABLE 10-32: SMART CARD TIMEOUT TIMER HIGH SIGNIFICANT BYTE (HSB) RELOAD REGISTER

| SC_TOH (0X0013- RESET=0X00) | | | SMART CARD TIMEOUT TIMER HSB RELOAD REGISTER |
|--------------------------------|-----------------|-----|--|
| BIT | NAME | R/W | DESCRIPTION |
| 7:0 | TIMER_RELOAD_HI | R/W | This register holds the HSB of the reload value for the Timeout Timer. |

The Timeout Reload Register is a 24-bit register (SC_TOH, SC_TOM, SC_TOL) with unit resolution of 1.25 ms.

TABLE 10-33: SMART CARD DOWN COUNTER LSB REGISTER

| SC_DCL (0X0016- RESET=0XFF) | | | SMART CARD DOWN COUNTER LSB REGISTER |
|--------------------------------|-------------|-----|--|
| BIT | NAME | R/W | DESCRIPTION |
| 7:0 | DOWN_CNT_LO | R/W | This register holds the LSB of the General Purpose Down Counter. |

TABLE 10-34: SMART CARD DOWN COUNTER MSB RELOAD REGISTER

| SC_DCM (0X0017- RESET=0XFF) | | | SMART CARD DOWN COUNTER MSB REGISTER |
|--------------------------------|-------------|-----|--|
| BIT | NAME | R/W | DESCRIPTION |
| 7:0 | DOWN_CNT_HI | R/W | This register holds the MSB of the General Purpose Down Counter. |

TABLE 10-35: SMART CARD CWT TIMER LSB RELOAD REGISTER

| SC_CWTL (0X0018- RESET=0X00) | | | SMART CARD CWT TIMER LSB RELOAD REGISTER |
|---------------------------------|-----------------|-----|--|
| BIT | NAME | R/W | DESCRIPTION |
| 7:0 | TIMER_RELOAD_LO | R/W | This register holds the LSB of the reload value for the CWT Timer. |

TABLE 10-36: SMART CARD CWT TIMER MSB RELOAD REGISTER

| SC_CWTM (0X0019- RESET=0X00) | | | SMART CARD CWT TIMER MSB RELOAD REGISTER |
|---------------------------------|-----------------|-----|--|
| BIT | NAME | R/W | DESCRIPTION |
| 7:0 | TIMER_RELOAD_HI | R/W | This register holds the MSB of the reload value for the CWT Timer. |

TABLE 10-37: SMART CARD GUARD ALGORITHM SPACING REGISTER

| SC_GSR_MSB (0X001B- RESET=0X00) | | | SMART CARD GUARD ALGORITHM SPACING REGISTER |
|------------------------------------|----------------|-----|--|
| BIT | NAME | R/W | DESCRIPTION |
| 7:0 | GUARD_ETUS_MSB | R/W | This register holds the MSB of maximum spacing between characters, specified as the number of etus from the leading edges of consecutive start bits. |

TABLE 10-38: SMART CARD GUARD ALGORITHM SPACING REGISTER

| SC_GSR_LSB (0X001B- RESET=0X00) | | | SMART CARD GUARD ALGORITHM SPACING REGISTER |
|------------------------------------|----------------|-----|--|
| BIT | NAME | R/W | DESCRIPTION |
| 7:0 | GUARD_ETUS_LSB | R/W | This register holds the LSB of maximum spacing between characters, specified as the number of etus from the leading edges of consecutive start bits. |

TABLE 10-39: SMART CARD GUARD TIMER RELOAD A REGISTER

| SC_EGT (0X001C- RESET=0X00) | | | SMART CARD GUARD TIME RELOAD A REGISTER |
|--------------------------------|----------|-----|---|
| BIT | NAME | R/W | DESCRIPTION |
| 7:0 | RELOAD_A | R/W | <p>This register holds the Extra Guard Time value in T=0 or T=1 Mode.</p> <p>In ATR Mode, this register holds the maximum number of etus allowed from the rising edge of SCx_RST_N to the start bit of the TS byte. If the timer elapses, the TSW Interrupt is asserted, and the Receiver is disabled to the FIFO.</p> <p>Values are expressed in units of etu.</p> <p>The SC_PRM Register must be written after writing to this register, in order to latch the change.</p> |

TABLE 10-40: SMART CARD GUARD TIMER RELOAD B REGISTER

| SC_BGT (0X001D- RESET=0X00) | | | SMART CARD GUARD TIME RELOAD B REGISTER |
|--------------------------------|----------|-----|--|
| BIT | NAME | R/W | DESCRIPTION |
| 7:0 | RELOAD_B | R/W | <p>This register holds the BGT value in T=1 Mode, or the DGT value in T=0 Mode, preventing transmission until the specified number of etus has elapsed since the last received character. Monitoring of characters for this purpose does not depend on whether the Receiver is enabled to the FIFO. This timer must be enabled, or it will not delay transmission.</p> <p>In ATR Mode, this register holds the desired width of the SCx_RST_N pulse (Warm Reset) or the duration of the clock before the removal of SCx_RST_N.</p> <p>Values are expressed in units of etu.</p> <p>The SC_PRM Register must be written after writing to this register, in order to latch the change.</p> |

10.14.1.2 Protocol Mode Register

The Guard Time reload registers EGT and BGT must be initialized to their desired values before writing to this register. Changing them afterward may fail to register the change.

All non-reserved bits are read/write. The **ATR** bit may be set to 1 only if the **TE1** bit is also set to 0. Valid settings for these two bits are:

- ATR Mode: **ATR=1** and **TE1=0**. In this Mode, the Protocol Timers and the Receiver are conditioned to expect an ATR message from the ICC. Character framing is as per the T=0 protocol. This is the one case where the Receiver does not wait for the SEC1110 and SEC1210 to transmit first; instead, it waits for a rising edge on the **SCx_RST_N** pin, which is being controlled by the Guard Timer.

SEC1110/SEC1210

- T=0 Mode: **ATR**=0 and **TE1**=0. In this Mode, character framing and parity handling are as per the T=0 protocol. The Receiver waits until a message has been transmitted before it becomes active.
- T=1 Mode: **ATR**=0 and **TE1**=1. In this Mode, character framing and parity handling are as per the T=1 protocol. The Receiver waits until a message has been transmitted before it becomes active.

The **OSME** and **ISME** bits are mutually exclusive: only one of them may be set to 1, and neither may be set to 1 without the **TE1** bit also being set to 0 and the **ATR** bit set to 0.

TABLE 10-41: SMART CARD PROTOCOL MODE REGISTER

| SC_PRM (0X001E- RESET=0X00) | | | SMART CARD REGISTER |
|--------------------------------|----------|-----|---|
| BIT | NAME | R/W | DESCRIPTION |
| 7:5 | Reserved | R | Always read as 0 |
| 4 | ISME | R/W | 1 : Indicates that the Incoming Filter State Machine is enabled. The TE1 bit and ATR bit must also be set to 0. |
| 3 | OSME | R/W | 1 : Indicates that the Outgoing Filter State Machine is enabled. The TE1 bit and ATR bit must also be set to 0. |
| 2 | Reserved | R | Always read as 0 |
| 1 | TE1 | R/W | 0 : Indicates that T=0 character framing is being used, either in T=0 protocol communication or receiving the ATR message. 1 : Indicates that the T=1 protocol is being used. This bit may not be set to 1 with any of bits ATR , OSME or ISME also set to 1. |
| 0 | ATR | R/W | Answer to Reset Mode: 1 : Indicates that a Reset sequence is to be presented, expecting a response from the card. The TE1 bit must also be 0 in this Mode. Writing a 1 to this bit also clears the TSC and TSM bits in the Protocol Status Register, which causes the first byte received to be interpreted by hardware as the TS byte, setting the bit encoding convention based on what is received. ATR bit in SC_PRM Register should not be set once the ATR from the card is received. |

TABLE 10-42: SMART CARD TIMER CONTROL REGISTER

| SC_TCTL (0X001F- RESET=0X00) | | | SMART CARD TIMER CONTROL REGISTER |
|---------------------------------|----------|-----|---|
| BIT | NAME | R/W | DESCRIPTION |
| 7 | RSG | R/W | Reset Guard Timer: This bit always reads as 0. Writing a 1 to this bit clears the ENG bit in the Interface Control Register to 0, and removes any pending interrupt request from the Guard Timer. (The ENG bit, which enables the Guard Timer, is in the Interface Control Register so that the Guard Timer may be started atomically with the presentation of SC_RST_N and SC_CLK to the Smart Card.) |
| 6:5 | Reserved | R | Always read as 0 |
| 4 | RSC | R/W | Resets the CWT Timer: This bit always reads as 0. Writing a 1 to this bit clears the ENC bit to 0, and removes any pending interrupt request from the CWT Timer. |
| 3 | ENC | R/W | Writing 1 enables the CWT Timer to begin counting at the next triggering event. Writing 0 has no effect: to clear this bit, write 1 to the RSC bit in the Timer Control Register. This bit is cleared by hardware action in order to stop the timer. |

TABLE 10-42: SMART CARD TIMER CONTROL REGISTER (CONTINUED)

| SC_TCTL (0X001F- RESET=0X00) | | | SMART CARD TIMER CONTROL REGISTER |
|---------------------------------|------|-----|---|
| BIT | NAME | R/W | DESCRIPTION |
| 2 | WTX | R/W | 1 : Places the Timeout Timer in WTX Mode 0 : Places it in BWT Mode. In WTX Mode, the Timeout Timer underflow reloads the Timeout Timer instead of stopping it, and the Receiver is not disabled on underflow. |
| 1 | RSTO | R/W | Reset the Timeout Timer: This bit reads as 0 always. Writing a 1 to this bit clears the ENTO bit to 0, and removes any pending interrupt request from the Timeout Timer. |
| 0 | ENTO | R/W | Writing 1 enables the Timeout Timer to begin counting at the next triggering event. Writing 0 has no effect: to clear this bit, write 1 to the RSTO bit in the Timer Control Register. This bit is cleared by hardware action in order to stop the timer. |

TABLE 10-43: SMART CARD CLOCK DIVISOR REGISTER

| SC_CLK_DIV (0X0025- RESET=0X58) | | | SMART CARD CLOCK DIVISOR REGISTER |
|------------------------------------|----------|-----|---|
| BIT | NAME | R/W | DESCRIPTION |
| 7:6 | SAMPLING | | This field indicates a divisor to apply from the DLL/DLM value in order to get the final etu rate: 00 : divide by 31 10 : divide by 16 01 : divide by 1 11 : reserved for future use The SC_CLK_DIV divisor field is reduced in size to 6 bits |
| 5:0 | DIVISOR | R/W | This field gives the divisor to apply to the SEC1110 and SEC1210 system clock in order to generate the SCx_CLK signal to the ICC. |

TABLE 10-44: SMART CARD CONFIGURATION BLOCK REGISTER

| SC_CFG (0X0026- RESET=0X60) | | | SMART CARD CONFIGURATION BLOCK REGISTER |
|--------------------------------|----------|-----|---|
| BIT | NAME | R/W | DESCRIPTION |
| 7:0 | Reserved | R | Always read as 0 |

Note: In SEC1110 and SEC1210, the SC_CFG is hardwired to zero.

SEC1110/SEC1210

TABLE 10-45: SMART CARD LED CONTROL REGISTER

| SC_LEDC (0X0027- RESET=0X00) | | | SMART CARD LED CONTROL REGISTER |
|---------------------------------|------------------|-----|--|
| BIT | NAME | R/W | DESCRIPTION |
| 7:4 | BLINK[3:0] | R/W | This field is reserved for the SEC1110/SEC1210 version. In SEC1110/SEC1210, this field indicates the LED blinking time in units of 25 ms. For instance, a value of 4 would indicate 5 blinks per second. |
| 3 | LED_PRGM_TIME_EN | R/W | This field is reserved for the SEC1110/SEC1210 version. In SEC1110/SEC1210, this bit controls the blinking of LED. 0 : (default). LED ON/OFF time is fixed as defined by LMD , LCTL fields. 1 : LED ON/OFF time is based on the value programmed in BLINK field. If LMD is set, then the LED blinking (BLINK field controls the rate) is based on SCx_IO pin activity. |
| 2 | LMD | R/W | LED Mode: 0 : LED is controlled by the LED control field in this register. 1 : LED is controlled by activity on the SCx_IO pin. When there is activity on the SCx_IO pin the LED will blink at an approximate 6.25 Hz rate with a 50% duty cycle (80 msec on, 80 msec off). |
| 1:0 | LCTL | R/W | LED Control, when LED_PRGM_TIME_EN bit is 0. 00 = Off 01 = Blink at 1Hz rate with a 50% duty cycle (0.5 sec on, 0.5 sec off) 10 = Blink at ½ HZ rate with a 25% duty cycle (0.5 sec on, 1.5 sec off) 11 = On When LED_PRGM_TIME_EN bit is set to 1, 00 = Off 01 = BLINK * 25 ms ON and BLINK * 25 ms OFF 10 = BLINK * 25 ms ON and BLINK * 3 * 25 ms OFF (25% duty cycle) 11 = ON |

10.14.1.3 FIFO Threshold Registers

These registers hold the FIFO threshold for received bytes. The FIFO Threshold Interrupt is asserted when the number of received/written bytes in the FIFO exceeds the number provided here. For example, set these registers to 0000h to be interrupted on every byte received. The interrupt is also asserted on a timeout of the CWT Timer, or of the Timeout Timer in T=0 Mode, regardless of the contents of these registers.

These registers have no effect on transmission: the number of bytes present in the FIFO at the time that the **FTE** bit is set to 1 determines the length of the message transmitted.

TABLE 10-46: SMART CARD FIFO THRESHOLD LSB REGISTER

| SC_FTHL (0X0028- RESET=0X00) | | | SMART CARD FIFO THRESHOLD LSB REGISTER |
|---------------------------------|-------------------|-----|---|
| BIT | NAME | R/W | DESCRIPTION |
| 7:0 | FIFO_THRESHOLD_LO | R/W | This register hold the LSB FIFO threshold for received bytes. |

TABLE 10-47: SMART CARD FIFO THRESHOLD MSB REGISTER

| SC_FTHM (0X0029- RESET=0X00) | | | SMART CARD FIFO THRESHOLD MSB REGISTER |
|---------------------------------|-------------------|-----|---|
| BIT | NAME | R/W | DESCRIPTION |
| 7:0 | FIFO_THRESHOLD_HI | R/W | This register hold the MSB FIFO threshold for received bytes. |

10.14.1.4 FIFO Count Registers

This register pair holds the number of bytes currently in the FIFO.

While setting up for transmission, and during transmission, this register tracks bytes being transmitted. If there is an error in transmission, the Transmitter stops and this register holds the number of bytes remaining in the FIFO. In case of a transmission error, the FIFO must be reset using the **FRST** bit in the FCR Register. This action will also clear these registers to zero. During transmission (i.e., while the Receiver is not active), the value in these registers is not compared against the Threshold value in the FTHL/FTHM register pair.

While the Receiver is active, this register pair also tracks the number of bytes in the FIFO, and this value is compared against the FIFO Threshold in the FTHL/FTHM register pair in order to provide the FIFO Threshold Interrupt.

To determine whether an error happened during the Transmit or Receive phase of an exchange (and hence which count is being displayed in this register), software may inspect the **ETR** bit in the Line Status Register.

TABLE 10-48: SMART CARD FIFO COUNT LSB REGISTER

| SC_FCL (0X002A- RESET=0X00) | | | SMART CARD FIFO COUNT LSB REGISTER |
|--------------------------------|---------------|-----|---|
| BIT | NAME | R/W | DESCRIPTION |
| 7:0 | FIFO_COUNT_LO | R/W | This register holds the LSB of the FIFO count in bytes. |

TABLE 10-49: SMART CARD FIFO COUNT MSB REGISTER

| SC_FCM (0X002B- RESET=0X00) | | | SMART CARD FIFO COUNT MSB REGISTER |
|--------------------------------|---------------|-----|---|
| BIT | NAME | R/W | DESCRIPTION |
| 7:0 | FIFO_COUNT_HI | R/W | This register holds the MSB of the FIFO count in bytes. |

TABLE 10-50: SMART CARD FILTER LENGTH REGISTER

| SC_FLL (0X002C- RESET=0X00) | | | SMART CARD FILTER LENGTH REGISTER |
|--------------------------------|------------|-----|--|
| BIT | NAME | R/W | DESCRIPTION |
| 7:0 | FILTER_LEN | R/W | <p>This register holds the number of expected data bytes in a T=0 exchange, for the sake of the T=0 filter state machines.</p> <p>This register is decremented as needed by the outgoing filter state machine. An initial value of 00h, when the outgoing filter is activated, is interpreted as 256. An initial value of 00h, when the incoming filter is activated, is interpreted as 0. Any T=0 command that does not involve a data transfer will use the incoming filter with an initial count of 00h. This register returns the least-significant 8 bits of the current count value when read.</p> |

SEC1110/SEC1210

TABLE 10-51: SMART CARD INS CODE REGISTER

| SC_FINS (0X002D- RESET=0X00) | | | SMART CARD FILTER STATE MACHINE INS CODE REGISTER |
|---------------------------------|------|-----|--|
| BIT | NAME | R/W | DESCRIPTION |
| 7:0 | INS | R/W | This register holds the INS byte for the current T=0 exchange, so that the T=0 Filter state machines can recognize the INS and INS Procedure Bytes |

TABLE 10-52: SMART CARD DEBOUNCE REGISTER

| SC_TEST1 (0X0030, - RESET=0X14) | | | SMART CARD TEST REGISTERS |
|------------------------------------|--------------|-----|--|
| BIT | NAME | R/W | DESCRIPTION |
| 7:0 | DEBOUNCE_MAX | R/W | <p>This register indicates the debounce counter value for the SCx_PRSENT_N signal, in 1 ms resolution. If a value of zero is written, then the debounce logic is avoided, and the SCx_PRSENT_N signal is sampled directly.</p> <p>The DEBOUNCE_CLK_EN and DEBOUNCE_FREQ bits in OSC48_SETTLE_CLKS Register must be enabled for the debouncing to work.</p> |

TABLE 10-53: SMART CARD DEBOUNCE REGISTER

| SC_TEST2 (0X0031, - RESET=0X1F) | | | SMART CARD TEST REGISTERS |
|------------------------------------|----------------------|-----|---|
| BIT | NAME | R/W | DESCRIPTION |
| 7:2 | START_WIDTH_TOL[7:2] | R/W | <p>After the leading edge of the start bit, a check is done for a low on the SCx_IO line, for the sample number indicated by this start bit tolerance register before the next bit.</p> <p>If SCx_IO is not low at start bit tolerance sample before the next bit, that start bit will be invalidated and the Receiver will search for next start byte.</p> <p>This width check if violated, will likely result in wrong data received with a parity error or TMO.</p> |
| 1 | OEN_EXT | RW | <p>When this bit is 0, it disables the OEN extension feature. The Output enable for the SCx_IO pad is driven for one internal Smart Card clock, at the end of transmit, and at the end of parity error signaling. This setting may cause insufficient time, for the SCx_IO pad to switch from 0 to 1, before tristating and enabling the pull-up, during high Smart Card block frequencies.</p> <p>When this bit is 1 (default), it indicates that the Output enable extension for SCx_IO is enabled. This setting ensures that a 0 to 1 transition occurs on the pad, and then the pad is tristated and pull-up enabled on SCx_IO.</p> <p>The OEN_CLKS field indicates the OEN extension time.</p> |
| 0 | START_BIT_NEG_EDGE | RW | <p>When this bit is 0, it indicates the detection of start bit (after a parity error is signaled) occurs when a negative edge is seen on SCx_IO.</p> <p>When this bit is 1 (default), it indicates the detection of start bit (after a parity error is signaled) occurs when a 0 level is seen on SCx_IO. This setting may cause a parity error signaling to be wrongly identified as the next start bit when the Smart Card block runs internally at high frequencies.</p> |

TABLE 10-54: SMART CARD TEST REGISTER

| SC_TEST3 (0X0032 - RESET=0XFF) | | | SMART CARD TEST REGISTERS |
|-----------------------------------|------------|-----|--|
| BIT | NAME | R/W | DESCRIPTION |
| 7:0 | TEST3[7:0] | R/W | <p>This field defines the number of SC block clock time between the events</p> <ul style="list-style-type: none"> Reset assertion and clock stop during hardware auto-deactivation Clock stop and SCx_VCC switch off signal to smart card pins |

TABLE 10-55: SMART CARD TEST REGISTER

| SC_TEST4 (0X0033-0033, - RESET=0X00) | | | SMART CARD TEST REGISTERS |
|---|-----------------------|-----|--|
| BIT | NAME | R/W | DESCRIPTION |
| 7:0 | START_WIDTH_TOL[15:8] | R/W | The start width tolerance is a 16-bit wide register. Bits 1:0 are used for OEN_EXT, START_BIT_NEG_EDGE also. |

TABLE 10-56: SMART CARD TEST DEBOUNCE REGISTER

| SC_TEST0 (0X0035, - RESET=0X00) | | | SMART CARD TEST REGISTERS |
|------------------------------------|----------|-----|--|
| BIT | NAME | R/W | DESCRIPTION |
| 7:4 | Reserved | R | Always read as 0 |
| 3:1 | OEN_CLKS | R/W | <p>These 3 bits of FAST_DEBOUNCE[2:0] are reused as OEN_CLKS field. It indicates the number of internal Smart Card block clocks to extend OEN for SCx_IO pad. This field is used when OEN_EXT bit is set.</p> <p>000 : 2 clocks 001 : 2 ~ 4 clocks in SEC1110/SEC1210. 4 clocks in later versions 010 : 4 ~ 8 clocks in SEC1110/SEC1210. 8 clocks in later versions 011 : 8 ~ 16 clocks in SEC1110/SEC1210. 16 clocks in later versions 100 : 16~ 32 clocks in SEC1110/SEC1210. 32 clocks in later versions 101 : 32 ~ 64 clocks in SEC1110/SEC1210. 64 clocks in later versions</p> |
| 0 | Reserved | R/W | Must be 0. |

TABLE 10-57: SMART CARD FIFO TEST REGISTER

| SC_FIFO_TEST (0X0100-02FF, - RESET=0XXX) | | | SMART CARD FIFO TEST1 |
|---|-----------|-----|---|
| BIT | NAME | R/W | DESCRIPTION |
| 7:0 | FIFO_TEST | R/W | The SC_FIFO is memory mapped to the 8051 CPU on the XDATA bus. Only the first 261 (259 for SEC1110/SEC1210) bytes are valid, and rest is an alias access. |

SEC1110/SEC1210

11.0 USB CONTROLLER DESCRIPTION

The SEC1110 and SEC1210 implements a USB device controller supporting 12 Mbps data transfer. In addition to the default control Endpoint 0, it provides 5 other endpoints, which can be configured in Control, Bulk, Interrupt or Isochronous modes:

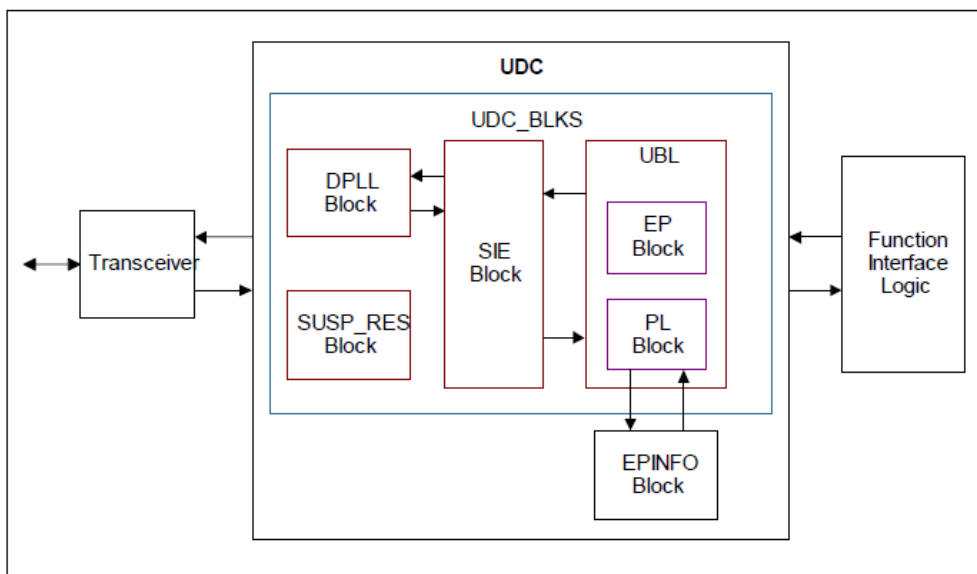
- Endpoint 0: 8/16/32/64-byte buffer, default control endpoint
- Endpoints 1,2,3,4,5: 8/16/32/64 -byte buffer or buffers in ping-pong Mode.

The Digital Phase-Locked Loop (DPLL) blocks main function is to extract the USB clock and data from the USB cable. Its main input is an external differential transceiver. The DPLL block has a built-in digital PLL that runs on a user-provided 48 MHz clock in 12 Mbps configuration. The DPLL block also extracts from the 48 MHz clock, a 12 MHz clock that it can supply to the SIE and UBL blocks.

The D+ and D- signals on the USB lines are passed through a differential receiver (external to the UDC core) and NRZI-formatted data is obtained from the differential receiver output. The DPLL uses this differential receiver output to extract clock information. The DPLL block also has single-ended zero (SE0) detection logic to detect SE0 signals in the data stream on the USB transceiver.

The clock and reset block generates a separate 12 MHz clock, by dividing the reference 48 MHz clock by 4 (for 12 Mbps applications). The UDC core uses this 12 MHz clock, which is also provided on the application bus.

FIGURE 11-1: USB BLOCK DIAGRAM



The Serial Interface Engine (SIE) block performs all front-end USB protocol functions, such as SYNC field identification, NRZI-NRZ conversion, token packet decoding, bit stripping, bit stuffing, NRZ-NRZI conversion, CRC5 checking, and CRC16 generation and checking. The SIE block also converts serial packets to 8-bit parallel data. The SIE block has a built-in 1-byte buffer for buffering data during transmission and reception of IN, OUT, and setup transactions. The SIE block interfaces to the device logic through the USB bridge layer.

The SIE runs on the 1x clock provided by the DPLL block, even though the data from the USB is received on the USB clock. For actual packet data, the SIE assembles the bits into bytes and forwards them to the application.

The main SIE block functions include:

- SYNC field identification
- NRZI-NRZ conversion during data reception
- Token packet identification

- Data packet identification
- Handshake packet identification
- Bit stripping during packet reception
- Bit stuffing during packet transmission
- NRZ-NRZI conversion during data transmission
- CRC5 checking for token packets
- CRC16 generation and checking for data packets
- Time-out checking
- Serial-to-parallel and parallel-to-serial data conversion
- Data/handshake packet assembly
- Identifying the USB Reset signal
- Identifying USB Suspend Mode
- Remote wake-up capability

The USB Bridge Layer (UBL) sits between the SIE block and the function interface on the device side (see [FIGURE 11-1: USB Block Diagram on page 92](#)). The UBL's main purposes are to control the SIE block by providing the necessary handshake signals and to transfer data between the SIE block and application bus while handling the application bus protocol.

The UBL handles the error recovery mechanism during transactions while interfacing to the application, and decodes and handles all standard control transfers addressed to Endpoint 0. The UBL passes all vendor and class commands onto the application bus for the application to decode and act on. This provides the flexibility of using the UDC core in multiple applications. The UBL supports an additional single programmable configuration (Configuration 0 has only Endpoint 0), with this configuration having a maximum of 4 interfaces. Each interface can have up to 4 alternate settings. The configuration is loaded from the on-chip ERAM at USB block initialization time to the EPINFO block.

The UBL receives information from the EPINFO block about the characteristics of the endpoint to which the current transaction is addressed. Based on this endpoint information, the UBL issues necessary control signals to the SIE block. The UBL also decodes the standard commands received in Endpoint 0 control transfer setup packets. The UBL forwards vendor and class commands to Endpoint 0 onto the application bus. The Get Descriptor command is forwarded to the application bus.

The USB Bridge:

- Provides a simple read/write interface on the device side.
- Handles all transactions to the standard Endpoint 0, shielding those transactions from the device side of the application bus except for the following:
 - Get_Descriptor command, enabling the SW to have programmable configurations
 - Set_Descriptor command
 - Class and Vendor Specific commands
 - Sync_Frame command
- Supports all USB standard commands, decoding and acting on the USB standard commands received in a control transfer's setup transaction.
- Provides a state machine for the current device state (default, addressed, configured, suspended).
- Maintains each endpoint's enabled, disabled, or stalled status. If an endpoint is stalled or disabled, the UDC issues an appropriate handshake to the host. The transaction is not reflected on the application bus (UDC interface) side.
- Forwards all class or vendor control transfers to Endpoint 0 and transactions to non-zero control endpoints. The application must decode 8 setup packet bytes and act on them. The transaction flow is explained in [FIGURE 11-3: on page 95](#).

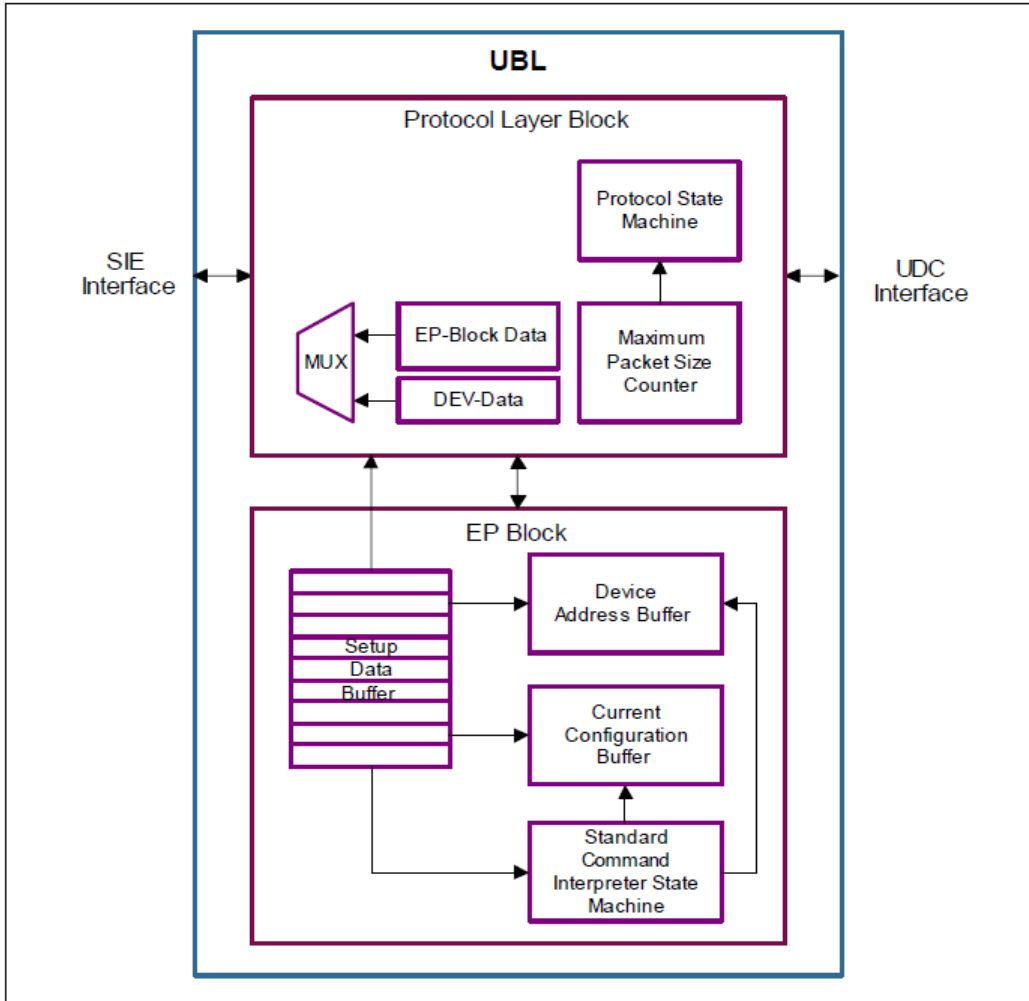
The UBL block contains two sub-blocks, called the Protocol Layer (PL) and Endpoint (EP) blocks.

The PL block controls the SIE block by providing necessary handshake signals to the SIE and by interfacing with the application bus logic. It also has an error recovery mechanism for data transfer protocol violations on the application bus. The protocol layer receives input about the endpoint characteristics from the EPINFO block and transfers the data between the SIE interface and the application bus (device interface). In transactions to Endpoint 0 (standard commands), the setup packet is routed to the EP block for decoding.

SEC1110/SEC1210

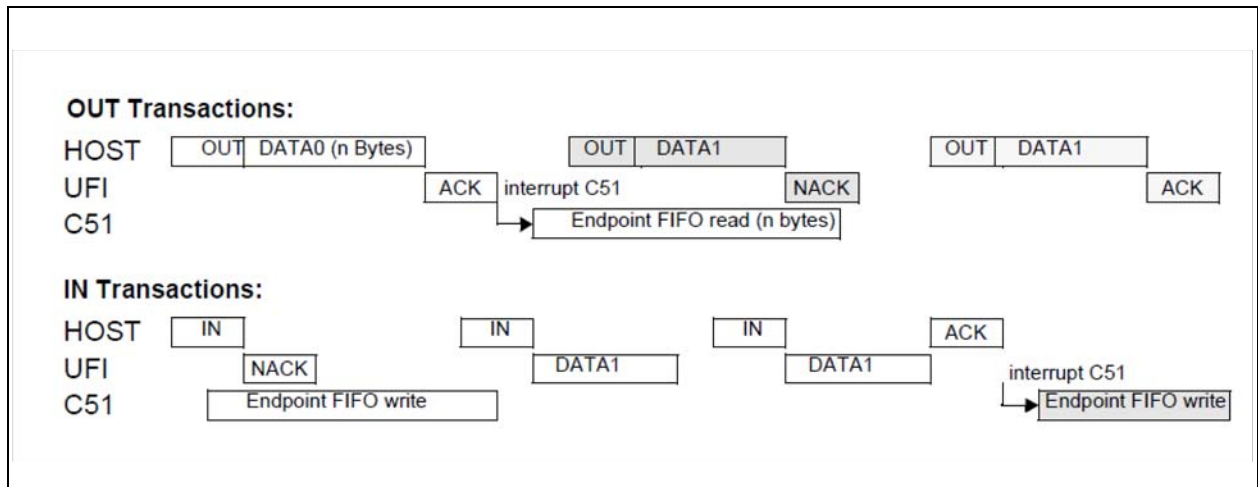
The EP block handles all control transfers to Endpoint 0. The EP block decodes and responds to all USB standard commands and passes the USB class and vendor commands to the application bus. The EP block maintains buffers for the device address and for storing the present active configuration, and logic for determining the present device state. All other vendor/class commands are forwarded onto the application bus (this includes the control transaction's setup, data and the status stages). The EP block has a buffer that stores the information received in the setup packet and a state machine to decode the setup data. The EP block also maintains the state machine for the current device state.

FIGURE 11-2: USB BRIDGE LAYER



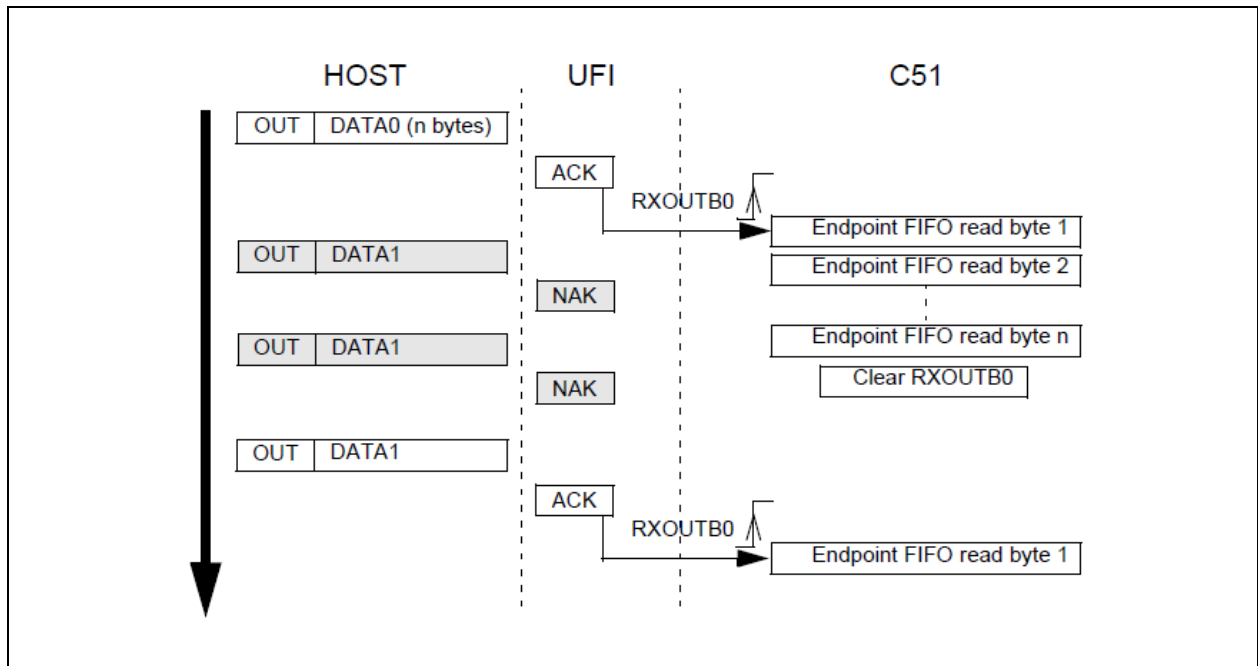
11.1 Transaction Flow

FIGURE 11-3: TYPICAL TRANSACTION



Note: FIFOs are shown. Should be DPRAM.

FIGURE 11-4: BULK/INTERRUPT OUT TRANSACTION



An endpoint should first be enabled and configured before being able to receive bulk or interrupt packets. The **PingPong** bit is reset for this endpoint.

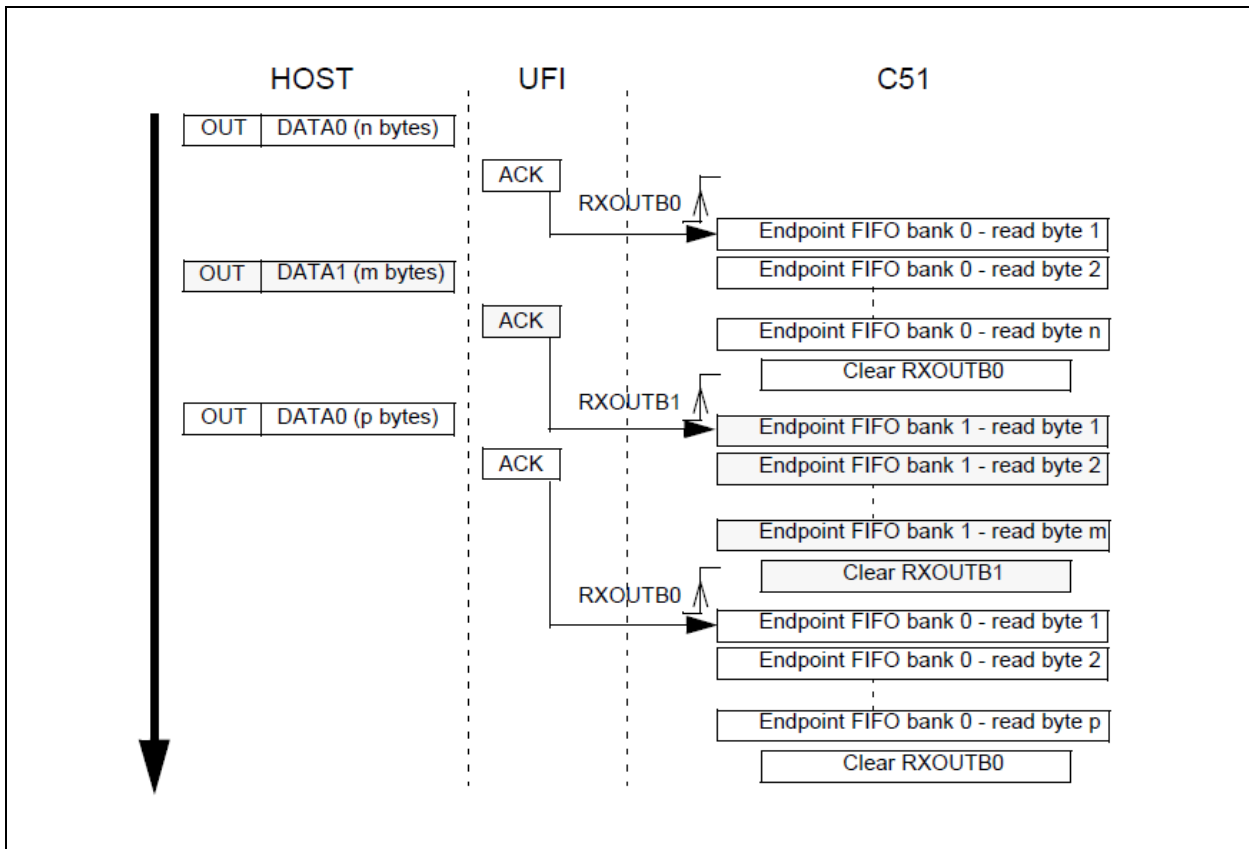
SEC1110/SEC1210

When a valid OUT packet is received on an endpoint, the **RXOUTB** (and **BUF0_RDY**) bit is set by the USB controller. This triggers an interrupt, if enabled. The firmware has to select the corresponding endpoint, and store the number of data bytes by reading the COUNT0 Register. If the received packet is a ZLP (Zero Length Packet), the COUNT0 Register value is equal to 0 and no data must be read.

When all the endpoint data bytes have been read, the firmware should clear the **RXOUTB** (or **BUF0_RDY**) bit to allow the USB controller to accept the next OUT packet on this endpoint. Until the **RXOUTB** (or **BUF0_RDY**) bit has been cleared by the firmware, the USB controller will answer a NAK handshake for each OUT requests for this endpoint.

If the Host sends more bytes than supported by the endpoint data buffer, the overflow data would not be stored, but the USB controller will consider that the packet is valid if the CRC is correct and the endpoint byte counter contains the number of bytes sent by the Host.

FIGURE 11-5: BULK / INTERRUPT OUT TRANSACTION IN PING-PONG MODE



An endpoint should be first enabled and configured before being able to receive bulk or interrupt packets. The **PingPong** bit is set. When a valid OUT packet is received on the Endpoint Bank 0, the **RXOUTB** (and **BUF0_RDY**) bit is set by the USB controller. This triggers an interrupt, if enabled. The firmware has to select the corresponding endpoint, store the number of data bytes by reading the USB_EPN_BYTE_CNT_REG Register. If the received packet is a ZLP (Zero Length Packet), the COUNT0 Register value is equal to 0 and no data has to be read.

When all the endpoint data bytes have been read, the firmware should clear the **BUF0_RDY** bit to allow the USB controller to accept the next OUT packet on the Endpoint Buffer 0.

When a new valid OUT packet is received on the Endpoint Bank 1, the **RXOUTB** (and **BUF1_RDY**) bit is set by the USB controller. This triggers an interrupt, if enabled. The firmware empties the bank 1 endpoint data before clearing the **BUF1_RDY** bit.

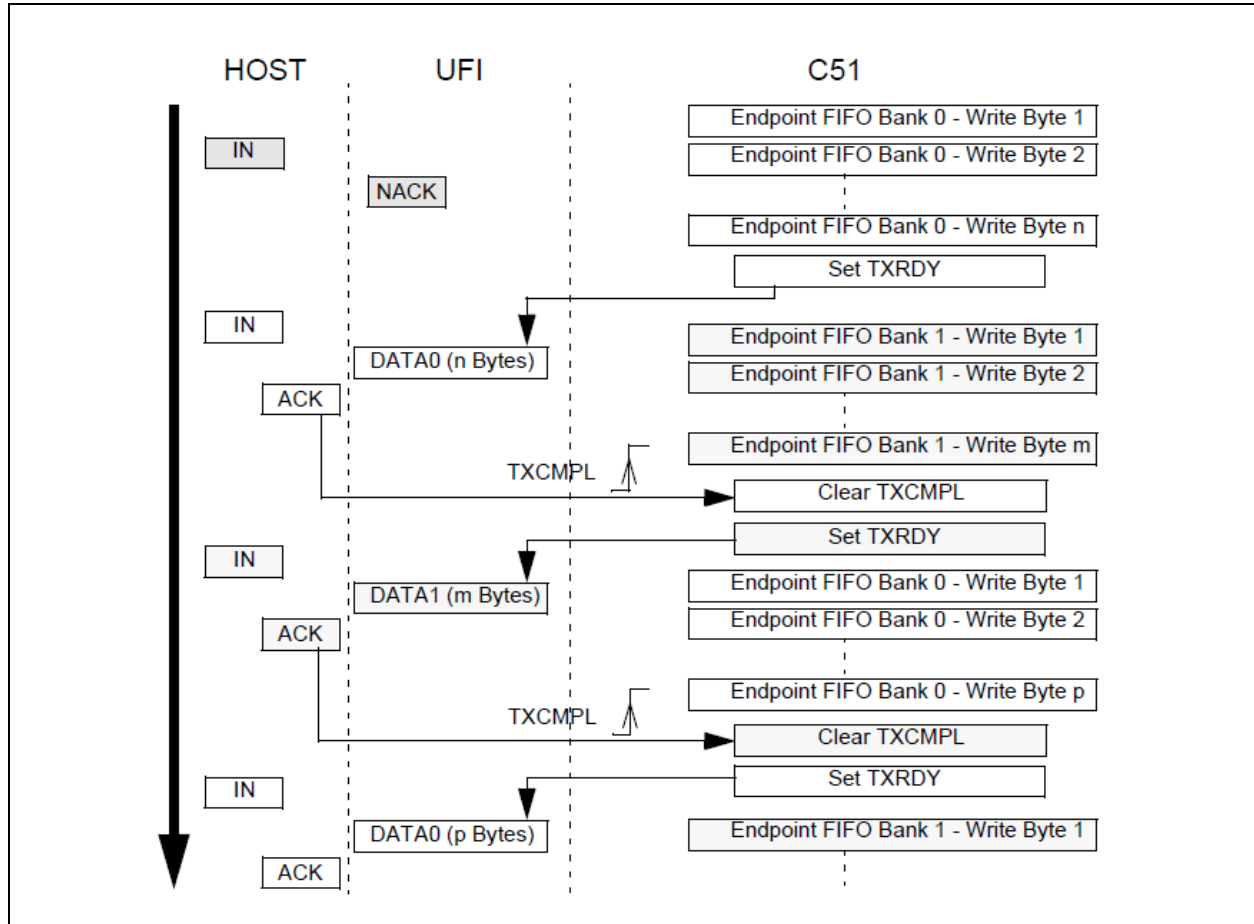
The **BUF0_RDY** and **BUF1_RDY** bits are alternatively set by the USB controller at each new valid packet receipt.

The firmware has to clear one of these two bits after having read all the data to allow a new valid packet to be stored in the corresponding bank.

A NAK handshake is sent by the USB controller only if the banks 0 and 1 have not been released by firmware.

The firmware can reset the hardware pointers by writing a 1 to both **BUF0_RDY** and **BUF1_RDY** in a single write.

FIGURE 11-6: BULK/INTERRUPT IN TRANSACTIONS IN PING-PONG MODE



An endpoint will first be enabled and configured before being able to send bulk or interrupt packets with the **PingPong** bit set.

The firmware will fill the data bank 0 with the data to be sent and set the **TXRDY** (or **BUF0_RDY**) bit in the USB_EPn_CTL_REG (or USB_EPn_BUFRDY_REG) Register to allow the USB controller to send the data stored in data at the next IN request concerning the endpoint. The firmware can immediately write into the Endpoint 1 data bank. The firmware can set **BUF1_RDY** bit when this buffer is ready.

When the IN packet concerning the bank 0 has been sent and acknowledged by the Host, the **TXRDY** (and **BUF0_RDY**) bit is reset by the USB controller. This triggers a USB interrupt if enabled. The firmware will check if the **BUF0_RDY** bit is reset before filling the Endpoint 0 Data Bank with new data.

When the IN packet concerning the bank 1 has been sent and acknowledged by the Host, the **TXRDY** (and **BUF1_RDY**) bit is reset by the USB controller. This triggers a USB interrupt if enabled. The firmware will check if the **BUF1_RDY** bit is reset before filling the Endpoint 1 Data Bank with new data.

The bank switch is performed by the USB controller after each packet. Until the **TXRDY** bit has been set by the firmware for an endpoint bank, the USB controller will answer a NAK handshake for each IN requests concerning this bank.

The firmware will never write more bytes than supported by the endpoint data buffer.

11.2 Control Transactions

11.2.1 SETUP STAGE

Receiving Setup packets is the same as receiving bulk out packets, except that the **RXSETUP** bit in the **USB_EPn_CTL_REG** Register is set by the USB controller instead of the **RXOUTB** bit to indicate that an Out packet with a Setup PID has been received on the Control Endpoint. When the **RXSETUP** bit has been set, all the other bits of the **USB_EPn_CTL_REG** Register are cleared and an interrupt is triggered, if enabled. The firmware has to read the Setup request stored in the Control Endpoint data before clearing the **RXSETUP** bit to free the endpoint data for the next transaction.

11.2.2 DATA STAGE: CONTROL ENDPOINT 0 DIRECTION

The data stage management is similar to bulk management.

A control endpoint is managed by the USB controller as a full-duplex endpoint: IN and OUT. All other endpoint types are managed as half-duplex endpoint: IN or OUT.

There are separate Read and Write buffers for Control Endpoint 0.

- If the data stage consists of INs, the firmware writes the data buffer and sets to 1 the **TXRDY** (or **BUF0_RDY**) bit in the **USB_EPn_CTL_REG** (or **USB_EPn_BUFRDY_REG**) Register. The IN transaction is complete when the **TXRDY** (or **BUF0_RDY**) bit has been reset by the hardware.
- If the data stage consists of OUTs, the **RXOUTB** (and **BUF0_RDY**) bit is set by hardware when a new valid packet has been received on the endpoint. The firmware must read the data stored into the buffer and then clear the **RXOUTB** (or **BUF0_RDY**) bit to reset the buffer and to allow the next transaction.

To send a STALL handshake, see [Section 11.4](#).

11.2.3 STATUS STAGE

The status stage management is similar to bulk management.

- For a Control Write transaction or a No-Data Control transaction, the status stage consists of a IN Zero Length Packet (see “Bulk/Interrupt IN Transactions In Standard Mode” on page). To send a STALL handshake, see [Section 11.4](#).
- For a Control Read transaction, the status stage consists of an OUT Zero Length Packet.

11.3 USB Reset

The **USB_RESET_INT** bit in the **USB_INT_REG** Register is set by hardware when a Reset has been detected on the USB bus. This triggers a USB interrupt, if enabled. The USB controller is still enabled. The End of USB Reset can be determined by reading the **USB_RESET_STS** bit in UDC Status Register.

11.4 STALL Handshake

This function is only available for Control, Bulk, and Interrupt endpoints. The firmware has to set the **STALLRQ** bit in the **USB_EPn_CTL_REG** Register to send a STALL handshake at the next request of the Host on the endpoint. The **RXSETUP**, **TXRDY**, **RXOUTB** bits must be first reset to 0. The bit **UNSUCCESSFUL** is set to 1 by the USB controller when a STALL has been sent. This triggers an interrupt if enabled.

The firmware should clear the **STALLRQ** and **UNSUCCESSFUL** bits after each STALL sent. The **STALLRQ** bit is cleared automatically by hardware when a valid SETUP PID is received on a Control type endpoint.

11.5 Start of Frame Detection

The **USB_SOF_INT** bit in the **USB_INT_REG** Register is set when the USB controller detects a Start of Frame PID. This triggers an interrupt if enabled. The firmware should clear the **SOFINIT** bit to allow the next Start of Frame detection. The **SOF_MISSED** bit is set if within 16383 FS bits times, a SOF frame is not received. The **SOF_GOOD** bit is set if SOF frame is received and the timestamp matches the expected value. After initialization or loss of frame sync, the timestamp value is loaded when an SOF is received.

11.6 Data Toggle Bit

The Data Toggle bit is set by hardware when a DATA 0 packet is received and accepted by the USB controller and cleared by hardware when a DATA 1 packet is received and accepted by the USB controller. This bit is reset when the firmware resets the endpoint data buffer using the **UEPRST** Register.

For Control endpoints, each SETUP transaction starts with a DATA 0 and data toggling is then used as for Bulk endpoints until the end of the Data stage (for a control write transfer). The Status stage completes the data transfer with a DATA 1 (for a control read transfer).

11.7 NAK Handshakes

When a NAK handshake is sent by the USB controller to a IN or OUT request from the Host, the **UNSUCCESSFUL** bit will not be set by hardware.

11.8 Suspend

The Suspend state can be detected by the USB controller if all the USB clocks are enabled and if the USB controller is enabled. The bit **USB_SUSPEND_INT** is set by hardware when an idle state is detected for more than 3 ms. This triggers a USB interrupt, if enabled.

In order to reduce current consumption, the firmware can put the USB pads in suspend Mode, stop the clocks and put the chip in Idle or Power-Down Mode. The Resume detection is still active.

The USB suspend Mode is entered when the firmware sets **PWR_CORE_DIS0** to shutdown LDO3A regulator and then writes to the **OSC48_CTL** Register. The two writes to these registers must be consecutive. If operating from external clock then **EXT_OSC_SLEEP** bit is set in the second write, and if operating from the internal clock, then **OSC_MODE[2]** bit is set.

The hardware shuts the clocks and the oscillator. It also powers down all the logic except for the USB subsystem, ERAM (optional), IRAM (optional), GPIO logic. Hence the firmware must save all the CPU registers in ERAM before entering suspend Mode. The USB PAD automatically exits from idle Mode when a wake-up event is detected on GPIO or USB pads.

The stop of the 48 MHz clock from the oscillator should be done in the following order:

1. Disable all other peripherals not required during suspend Mode. Save CPU and SFR registers state in ERAM.
2. Disable the oscillator by writing **OSC_MODE[2]** as 0 in the **OSC48_CTL** Register or enter low power Mode by writing 000b to **OSC_MODE** bits (4 MHz). In case of external oscillator Mode **EXT_OSC_SLEEP** bit is set.

11.9 Resume

When the USB controller is in Suspend state, the Resume detection is active even if all the clocks are disabled and if the chip is in Idle or Power-Down Mode. The **USB_WU_INT** bit is set by hardware when a non-idle state occurs on the USB bus. This triggers an interrupt if enabled. This interrupt wakes up the oscillator and CPU from its idle or power-down state and the interrupt function is then executed. The firmware will first enable the 48 MHz generation.

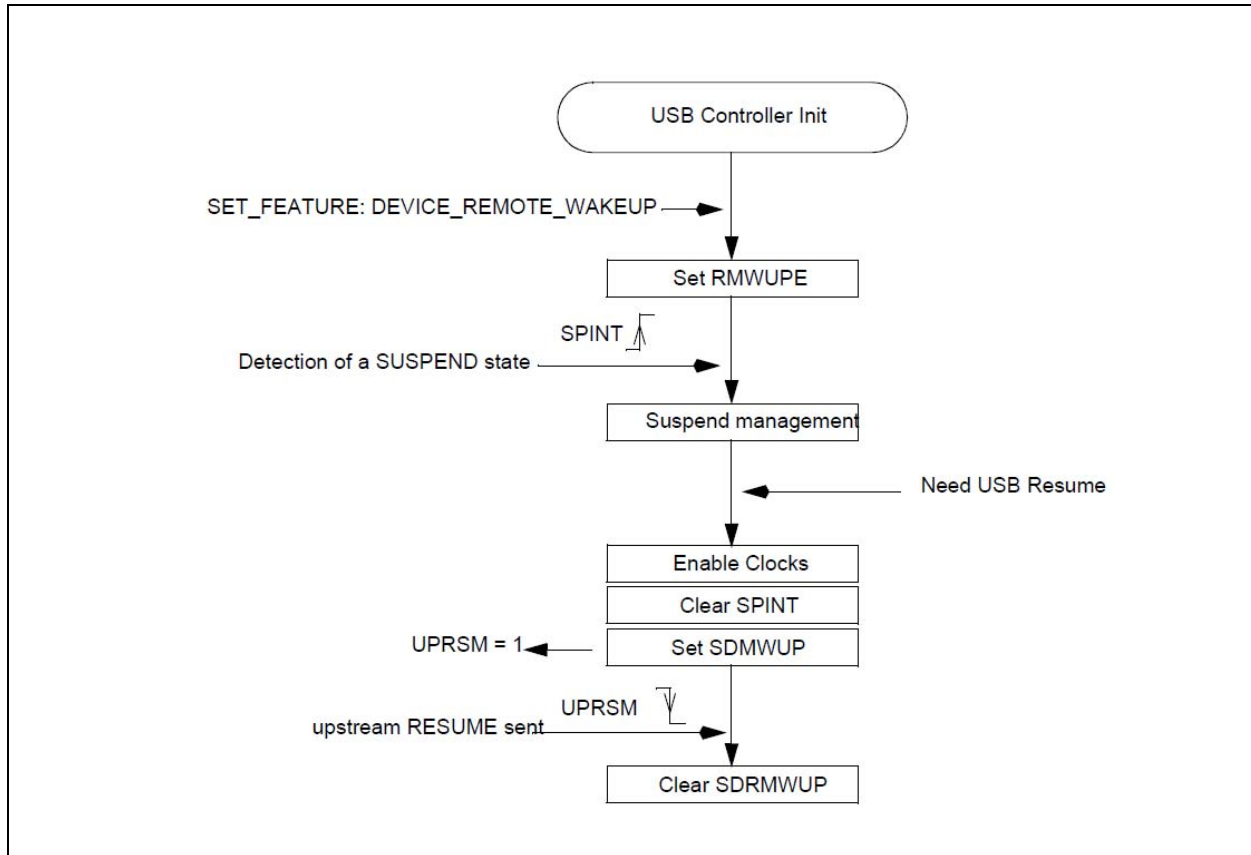
The firmware has to clear the **USB_WU_INT** bit in the **USB_INT_REG** Register before any other USB operation in order to wake up the USB controller from its Suspend Mode. The USB controller is then re-activated.

11.10 Remote Wake-Up

A USB device can be allowed by the Host to send an upstream resume for Remote Wake-Up purpose. The firmware must set the **USB_REMOTE_WU_CAP** bit indicating to the core that the device is remote wake-up capable. The USB controller automatically responds to Set Feature and Clear Feature commands for the Remote Wake-Up capability.

If the device is in SUSPEND Mode, and the device is in low power state, the USB controller can send an upstream Resume by setting to 1 the **USB_REMOTE_WU** bit in the **USB_UDC_CTL** Register. All clocks must be enabled first. The UDC core ensures that the bus was idle for 6 ms before indicating Suspend. Hence the Resume would be initiated immediately after **USB_REMOTE_WU** bit is set. When the upstream Resume is completed, the **USB_REMOTE_WU** bit is reset to 0 by hardware. The firmware should then clear the **USB_WU_INT** interrupt bit.

FIGURE 11-7: USB REMOTE SUSPEND/RESUME



11.11 USB Registers Summary

The USB registers are at XDATA base address 0x9600.

TABLE 11-1: USB REGISTER OFFSETS

| XDATA OFFSET | REGISTER NAME | EC TYPE |
|--------------|-------------------|---------|
| 0x00 | USB_CFGL_ADDR_REG | R/W |
| 0x01 | USB_CFGH_ADDR_REG | R/W |
| 0x02 | USB_CFG_STS_REG | R |
| 0x03 | USB_UDC_CONTROL | R/W |
| 0x04 | USB_STS_REG | R |
| 0x05 | USB_SOF_REG | R |
| 0x06 | USB_INT_REG | R/W |
| 0x07 | USB_ISR_EN_REG | R/W |
| 0x08 | USB_EP0_CTL_REG | R/W |
| 0x09 | USB_EP1_CTL_REG | R/W |
| 0x0A | USB_EP2_CTL_REG | R/W |
| 0x0B | USB_EP3_CTL_REG | R/W |
| 0x0C | USB_EP4_CTL_REG | R/W |

TABLE 11-1: USB REGISTER OFFSETS (CONTINUED)

| XDATA OFFSET | REGISTER NAME | EC TYPE |
|--------------|-----------------------|---------|
| 0x0D | USB_EP5_CTL_REG | R/W |
| 0x0E | USB_EP0W_ADDRH_REG | R/W |
| 0x0F | USB_EP0W_ADDRH_REG | R/W |
| 0x10 | USB_EP0W_BYTE_CNT_REG | R/W |
| 0x11 | USB_EP0R_ADDRH_REG | R/W |
| 0x12 | USB_EP0R_ADDRH_REG | R/W |
| 0x13 | USB_EP0R_BYTE_CNT_REG | R/W |
| 0x14 | USB_EP1_ADDRH_REG | R/W |
| 0x15 | USB_EP1_ADDRH_REG | R/W |
| 0x16 | USB_EP1_CNT_REG | R/W |
| 0x17 | USB_EP1_BUFRDY_REG | R/W |
| 0x18 | USB_EP2_ADDRH_REG | R/W |
| 0x19 | USB_EP2_ADDRH_REG | R/W |
| 0x1A | USB_EP2_CNT_REG | R/W |
| 0x1B | USB_EP2_BUFRDY_REG | R/W |
| 0x1C | USB_EP3_ADDRH_REG | R/W |
| 0x1D | USB_EP3_ADDRH_REG | R/W |
| 0x1E | USB_EP3_CNT_REG | R/W |
| 0x1F | USB_EP3_BUFRDY_REG | R/W |
| 0x20 | USB_EP4_ADDRH_REG | R/W |
| 0x21 | USB_EP4_ADDRH_REG | R/W |
| 0x22 | USB_EP4_CNT_REG | R/W |
| 0x23 | USB_EP4_BUFRDY_REG | R/W |
| 0x24 | USB_EP5_ADDRH_REG | R/W |
| 0x25 | USB_EP5_ADDRH_REG | R/W |
| 0x26 | USB_EP5_CNT_REG | R/W |
| 0x27 | USB_EP5_BUFRDY_REG | R/W |
| 0x28 | USB_EP_ISR_REG | R/W |
| 0x29 | USB_EP_ISR_EN_REG | R/W |
| 0x2A | USB_EP1_CNT1_REG | R/W |
| 0x2B | USB_EP2_CNT1_REG | R/W |
| 0x2C | USB_EP3_CNT1_REG | R/W |
| 0x2D | USB_EP4_CNT1_REG | R/W |
| 0x2E | USB_EP5_CNT1_REG | R/W |

SEC1110/SEC1210

11.12 USB Configuration Registers

The USB core is configured at initialization time. The configuration data is written to on-chip ERAM memory, and the start address is written to the USB_CFGH_ADDR Register, then the USB_CFGH_ADDR Register. The UDC core loads this data once at initialization time.

TABLE 11-2: USB CONFIG ADDRESS LOW REGISTER

| USB_CFGL_ADDR_REG (0X9600 RESET=0X00) | | | USB Config Address Low Register |
|--|---------------------|-----|--|
| BIT | NAME | R/W | DESCRIPTION |
| 7:0 | USB_CFG_AdrPtr[7:0] | R/W | Address pointer (lower 8 bits) in on-chip ERAM for the configuration data. The USB core loads 30 bytes from this location. |

TABLE 11-3: USB CONFIG ADDRESS HIGH REGISTER

| USB_CFGH_ADDR_REG (0X9601 RESET=0X00) | | | USB Config Address High Register |
|--|----------------------|-----|--|
| BIT | NAME | R/W | DESCRIPTION |
| 15 | USB_CFG_LoadCfgData | R/W | This bit if set enables the USB to be configured. This must be done only once after reset. The USB core reads 30 bytes from USB_CFG_AdrPtr to the EPINFO block. |
| 14 | USB_CFG_LoadCfgDone | R | This bit if set indicates that the USB core has read all 30 bytes from USB_CFG_AdrPtr to the EPINFO block, and load configuration is done. The USB core is ready for normal operation. |
| 13:12 | Reserved | R | Always read as 0 |
| 11:8 | USB_CFG_AdrPtr[11:8] | R/W | Address pointer (higher 4 bits) in on-chip ERAM for the configuration data. The USB core loads 30 bytes from this location. |

The UDC core automatically handles commands such as Set Configuration, Set Interface (with Alternative Interface settings). The current configuration, Interface and Alternate Interface values are indicated in [Table 11-4, "USB Config Status Register"](#). Any update to this register would cause an interrupt.

TABLE 11-4: USB CONFIG STATUS REGISTER

| USB_CFG_STS_REG (0X9602 RESET=0X00) | | | USB Config Status Register |
|--|-----------------------|-----|--|
| BIT | NAME | R/W | DESCRIPTION |
| 7:6 | Reserved | R | Always read as 0 |
| 5:4 | Alt_InterfaceVal[1:0] | R | These bits indicate the Alternate Settings value to which a Set Interface Setup Command is addressed. |
| 3:2 | InterfaceVal[1:0] | R | These bit indicate the Interface value to which a Set Interface Setup Command is addressed. |
| 1:0 | ConfigVal[1:0] | R | These bits indicate the new Configuration value of a Set Configuration Setup Command. On an update to the ConfigVal field, the InterfaceVal and Alt_InterfaceVal fields are reset to zero. |

The configuration data for the 6 maximum physical endpoints possible, consists of 6 40-bit values (30 bytes), with each value written most significant byte first (at lower address memory). This format is shown in [Table 11-5, "EndPoint 0-5 Config Memory"](#).

The Endpoint 0 is common to all configurations and interfaces of the device. The UDC core ignores the programmed value of **Ep_Config**, **Ep_Interface**, **Ep_AltSettings** for Endpoint 0.

Note: The USB core successfully completes the status stage for the SET_INTERFACE command as long as the interface and alternate setting specified in the command is less than five, regardless of the actual number of interfaces/alternate settings reported in the configuration descriptor and interface descriptor by firmware. Typically hosts do not send SET_INTERFACE to interface/alternate settings that is not reported by the device. For example, if the device reports 2 interfaces and 3 alternate settings, the commands will complete successfully, which is correct. A problem would arise only if a host issues SET_INTERFACE to interface 4 even if the device supports only 3 interfaces.

TABLE 11-5: ENDPOINT 0-5 CONFIG MEMORY

| USB_EP_0_CFG(0X00~0X04 RESET=0XXX) USB_EP_1_CFG (0X05~0X09 RESET=0XXX) USB_EP_2_CFG (0X0A~0X0E RESET=0XXX) USB_EP_3_CFG (0X0F~0X13 RESET=0XXX) USB_EP_4_CFG (0X14~0X18 RESET=0XXX) USB_EP_5_CFG (0X19~0X1D RESET=0XXX) | | | EndPoint 0-5 Config Memory |
|---|--------------|------|---|
| BIT | NAME | BYTE | DESCRIPTION |
| 7:4 | EpNum | 0 | Logical Endpoint Number: The valid values are 0, 1, 2, 3, 4, 5. |
| 3:2 | Ep_Config | | Configuration number to which the endpoint belongs: <ul style="list-style-type: none"> • Must be 0 for Endpoint 0 • Value for other endpoints is 1 (one other configuration supported) |
| 1:0 | Ep_Interface | | Interface number to which the endpoint belongs: <ul style="list-style-type: none"> • Must be 0 for Endpoint 0 • Value for other endpoints is up to the maximum number of interfaces supported as reported in the Descriptor |

SEC1110/SEC1210

TABLE 11-5: ENDPOINT 0-5 CONFIG MEMORY

| USB_EP_0_CFG(0X00~0X04 RESET=0XXX USB_EP_1_CFG (0X05~0X09 RESET=0XXX USB_EP_2_CFG (0X0A~0X0E RESET=0XXX USB_EP_3_CFG (0X0F~0X13 RESET=0XXX USB_EP_4_CFG (0X14~0X18 RESET=0XXX USB_EP_5_CFG (0X19~0X1D RESET=0XXX | | | EndPoint 0-5 Config Memory | |
|--|--|--|--|--|
| BIT | NAME | BYTE | DESCRIPTION | |
| 7:6 | Ep_AltSetting | 1 | Alternate setting to which the endpoint belongs: <ul style="list-style-type: none"> • Must be 0 for Endpoint 0 • Value for other endpoints is up to the maximum number of interfaces supported as reported in the Descriptor | |
| 5:4 | Ep_Type | | Endpoint type: 00 : Control 01 : Reserved 10 : Bulk 11 : Interrupt Must be 00 for Endpoint 0. The values for other endpoints is user programmable as 01, 10, 11, and is same as reported in the Descriptor. | |
| 3 | Ep_Dir | | Endpoint direction: 0 : OUT Endpoint 1 : IN Endpoint This bit is ignored for control endpoints. Must be 0 for Endpoint 0. Value for other endpoints is programmable, and is the same as reported in the Descriptor. | |
| 2:0 | Ep_MaxPktSize[9:7] | | 2 | Maximum packet size for this endpoint (64 Max). The valid values are 8: 00_0000_1000b 16: 00_0001_0000b 32: 00_0010_0000b 64: 00_0100_0000b |
| 7:1 | Ep_MaxPktSize[6:0] | This bit is reflected to the application bus as the UDC_UserBit signal for the transaction to this particular endpoint. <ul style="list-style-type: none"> • Must be 1 for endpoints 2 and 3 • It is 0 for all other endpoints | | |
| 0 | Ep_UserBit | | | |
| 7:0 | Ep_BufAdrPtr[15:8], Ep_BufAdrPtr[7:0] | 3, 4 | Address pointer for the associated endpoint is encoded as follows: Ep_BufAdrPtr15 = EP_Dir Ep_BufAdrPtr[14:12] = EpNum[2:0] (The physical endpoint number 0~5) Ep_BufAdrPtr[11:10] = Ep_Config[1:0] Ep_BufAdrPtr[9:8] = Ep_Interface[1:0] Ep_BufAdrPtr[7:6] = Ep_AltSettings[1:0] Ep_BufAdrPtr[5:4] = Ep_Type[1:0] Ep_BufAdrPtr[3:0] = Ep_MaxPktSize[6:3] | |

11.13 USB Control, Status and Interrupt Registers

TABLE 11-6: USB UDC CONTROL REGISTERS

| USB_UDC_CONTROL (0X9603RESET=0X01) | | | USB UDC Control Registers |
|---------------------------------------|-------------------|-----|--|
| BIT | NAME | R/W | DESCRIPTION |
| 7 | USB_RTEST | R/W | This test bit must be 0 for proper USB operation. Setting this bit to 0 (default) causes opening of SW2 for Resistor pull-up (causes high impedance) in transmission Mode. When this bit is set to 1, SW2 for resistor pull-up is closed in transmission Mode. |
| 6 | Reserved | R/W | Reserved as a test bit If this bit is zero, the Rpu SW2 switch toggles on a J-to-K transition detected on USB bus in Receive mode within 0.5 to 0.75 bit time. If this bit is one, the Rpu SW2 switch toggles on a J-to-K transition detected on USB bus in Receive mode within 0.25 to 0.5 bit time. |
| 5:4 | Reserved | R | Always read as 0 |
| 3 | USB_SELF_POWER | R/W | This bit if set indicates that the device is self powered. This bit if reset indicates that the device is VBUS powered. |
| 2 | USB_REMOTE_WU | R/W | If the USB device is in SUSPEND and remote wake-up has been enabled, setting this bit to 1 will generate a 3ms wake-up event on the USB bus. This bit will auto clear. |
| 1 | USB_REMOTE_WU_CAP | R/W | This bit when set indicates to the UDC core that the device is remote wake-up capable. The UDC core responds to the Set/Clear Feature (DEVICE_REMOTE_WAKEUP) command if this bit is set. If this bit is reset, then the UDC responds to such a Set/Clear Feature (DEVICE_REMOTE_WAKEUP) command with a Stall. |
| 0 | USB_DETACH | R/W | Detach from USB: Remove 1.5 k Ω pull-up 0 : Attach - the USB core follows the resistor_ecn specification defined for USB 2.0 specification. 1 : Detach |

TABLE 11-7: USB UDC STATUS REGISTER

| USB_STS_REG (0X9604 RESET=0X00) | | | USB Status Register |
|------------------------------------|---------------------|-----|---|
| BIT | NAME | R/W | DESCRIPTION |
| 7:5 | USB_TIMESTAMP[10:8] | R | This field indicates the higher 3-bits of the time stamp received on a valid SOF. |
| 4 | UDC_REMOTE_STS | R | This bit, if set indicates the host has enabled the device for Remote wake-up using the Set_Feature (DEVICE_REMOTE_WAKEUP) Command. This bit is relevant only if USB_REMOTE_WU_CAP bit is 1. |
| 3 | SOF_GOOD | R | This bit is set when received SOF timestamps compare with the expected value. This bit is reset when SOF is missed or when timestamp does not compare with expected value. |
| 2 | SOF_MISSED | R | This bit is set when an SOF is not received within 16383 FS bit times. This bit is reset when this register is read. |
| 1 | USB_RESET_STS | R | This bit is set when the core detects more than 2.5 μ S (32 FS bit times) of SE0 on the D+ and D- lines. It continues to be set as long as SE0 is seen on the D+/D- lines. This bit resets when the USB lines change from SE0 after a USB reset condition. |

SEC1110/SEC1210

TABLE 11-7: USB UDC STATUS REGISTER (CONTINUED)

| USB_STS_REG (0X9604 RESET=0X00) | | | USB Status Register |
|------------------------------------|-----------------|-----|---|
| BIT | NAME | R/W | DESCRIPTION |
| 0 | USB_SUSPEND_STS | R | This bit is set by hardware when a USB Suspend is detected (idle for 6 ms). This bit remains asserted until a non-idle (K) state is on the USB cable or the USB_REMOTE_WU bit is asserted. |

TABLE 11-8: USB SOF REGISTER

| USB_SOF_REG (0X9605 RESET=0X00) | | | USB SOF Register |
|------------------------------------|--------------------|-----|--|
| BIT | NAME | R/W | DESCRIPTION |
| 7:0 | USB_TIMESTAMP[7:0] | R | This field indicates the lower 8-bits of the time stamp received on a valid SOF. |

TABLE 11-9: USB INTERRUPT REGISTER

| USB_INT_REG (0X9606 RESET=0X00) | | | USB Interrupt Register |
|------------------------------------|-----------------|-------|--|
| BIT | NAME | R/W | DESCRIPTION |
| 7 | USB_WU_INT | R/W1C | USB Wake Up CPU Interrupt: This bit is set when the USB controller is in the SUSPEND State and is activated by a non-idle signal from the USB line. This bit is cleared by software. |
| 6 | USB_RESET_INT | R/W1 | This bit is set when the core detects more than 2.5 μ S (32 FS bit times) of SE0 on the D+ and D- lines. It continues to be set as long as SE0 is seen on the D+/D- lines. This bit should be reset by software. |
| 5 | USB_SOF_INT | R/W1 | This bit is set when an USB Start of Frame PID (SOF) has been successfully received. This bit should be cleared by software. |
| 4:2 | Reserved | R | Always read as 0 |
| 1 | USB_CFG_STS_INT | R/W1 | This bit is set when an update to the USB Configuration Status Register occurs for the following conditions: <ul style="list-style-type: none">• A Set Configuration setup command is received and Config_Val[1:0] is updated.• A Set Interface setup command is received and Interface_Val[1:0] and Alt_InterfaceVal[1:0] are updated. |
| 0 | USB_SUSPEND_INT | R/W1 | This bit is set by hardware when a USB Suspend is detected (idle for 6 ms). This bit should be cleared by software before powering down the microcontroller. |

The USB Interrupt register bits are cleared by software by writing a 1 in the corresponding bit.

TABLE 11-10: USB INTERRUPT ENABLE REGISTER

| USB_ISR_EN_REG (0X9607 RESET=0X00) | | | USB Interrupt Enable Register |
|---------------------------------------|--------------------|-----|---|
| BIT | NAME | R/W | DESCRIPTION |
| 7 | USB_WU_INT_EN | R/W | Set this bit to enable the USB Wake Up CPU Interrupt. Clear this bit to disable the USB Wake Up CPU Interrupt. |
| 6 | USB_RESET_INT_EN | R/W | Set this bit to enable the USB_RESET CPU Interrupt. Clear this bit to disable the USB_RESET CPU Interrupt. |
| 5 | USB_SOF_INT_EN | R/W | Set this bit to enable the USB SOF CPU Interrupt. Clear this bit to disable the USB SOF CPU Interrupt. |
| 4:2 | Reserved | R | Always read as 0 |
| 1 | USB_CFG_STS_EN | R/W | Set this bit to enable the USB_CFG_STS Update Interrupt. Clear this bit to disable the USB_CFG_STS Update Interrupt. |
| 0 | USB_SUSPEND_INT_EN | R/W | Set this bit to enable the USB SUSPEND CPU Interrupt. Clear this bit to disable the USB SUSPEND CPU Interrupt. |

11.14 USB Endpoint 0~5 Status and Control Registers

TABLE 11-11: USB ENDPOINT 0~5 STATUS AND CONTROL REGISTER

| USB_EP0_CTL_REG (0X9608 RESET=0X00) USB_EP1_CTL_REG (0X9609 RESET=0X00) USB_EP2_CTL_REG (0X960A RESET=0X00) USB_EP3_CTL_REG (0X960B RESET=0X00) USB_EP4_CTL_REG (0X960C RESET=0X00) USB_EP5_CTL_REG (0X960D RESET=0X00) | | | USB Endpoint 0~5 Status and Control Register |
|--|-------------------|-----|--|
| BIT | NAME | R/W | DESCRIPTION |
| 7 | TIMEOUT | R | This bit is valid when the UNSUCCESSFUL bit is set. This bit is set when a USB timeout occurs for this endpoint. |
| 6 | STALL_CLR_EP0_HLT | R/W | This bit is valid only for Endpoint 0: This bit controls the behavior of response to the Clear Feature (ENDPOINT0 HALT) command. When this bit is set, the UDC core will send STALL for such a command. If this bit is reset, the core will send an ACK response. |
| 5 | STALLRQ | R/W | Stall Handshake Request Set this bit to request a STALL response to the next handshake. Clear this bit otherwise. For Control endpoints, it is cleared by hardware when a valid SETUP PID is received. This bit is cleared when RXSETUP is set. If a Clear Feature command is received, then any new transaction on this endpoint will depend on the status of this bit, whether it will be accepted (bit is reset), or it is stalled again (bit is still set). |

SEC1110/SEC1210

TABLE 11-11: USB ENDPOINT 0~5 STATUS AND CONTROL REGISTER (CONTINUED)

| USB_EP0_CTL_REG (0X9608 RESET=0X00) USB_EP1_CTL_REG (0X9609 RESET=0X00) USB_EP2_CTL_REG (0X960A RESET=0X00) USB_EP3_CTL_REG (0X960B RESET=0X00) USB_EP4_CTL_REG (0X960C RESET=0X00) USB_EP5_CTL_REG (0X960D RESET=0X00) | | | | USB Endpoint 0~5 Status and Control Register | | |
|--|--------------|------|---|--|--|--|
| BIT | NAME | R/W | DESCRIPTION | | | |
| 4 | TXRDY | R/W | <p>TX Packet Ready:</p> <p>Set this bit after a valid packet has been placed into the endpoint buffer for IN transfers. This bit is reset by hardware after the host has acknowledged the packet for Control, Bulk, or Interrupt endpoints. This bit is reset by hardware after data is transmitted for Isochronous IN endpoints. When this bit is cleared, the Endpoint Interrupt is triggered (if enabled).</p> <p>In PingPong Mode, for an IN transaction, this bit is set if either BUF0_RDY or BUF1_RDY are set.</p> | | | |
| 3 | UNSUCCESSFUL | R/W1 | <p>Unsuccessful USB Transaction:</p> <p>This bit is set for the following conditions:</p> <ul style="list-style-type: none"> • A STALL handshake has been sent as requested by STALLRQ • USB timeout • Error in data packet on USB <p>If this bit is set, the application must reset its buffer pointers to restart the transaction and ignore the data received in the current transaction.</p> <p>If a NAK is issued, the NAK bit is set. The UNSUCCESSFUL bit is write one to clear.</p> | | | |
| 2 | RXSETUP | R/W1 | <p>Received SETUP:</p> <p>This bit is set by hardware when a valid SETUP packet has been received from the host. Then, all of the other bits of the register are cleared by hardware and the Endpoint Interrupt is triggered (if enabled). It should be cleared by the device software after reading the SETUP data from the endpoint data buffer.</p> <p>Any data on Endpoint 0 write buffer may be overwritten, on reception of a setup packet.</p> <p>Note: Even if an incomplete setup packet is received (i.e., an error was detected, or the UDC core internally handles it), the received bytes are written to the Endpoint 0 write buffer. Additionally, the address and count registers are reset.</p> <p>The RXSETUP bit is write one to clear.</p> | | | |

TABLE 11-11: USB ENDPOINT 0~5 STATUS AND CONTROL REGISTER (CONTINUED)

| USB_EP0_CTL_REG (0X9608 RESET=0X00) USB_EP1_CTL_REG (0X9609 RESET=0X00) USB_EP2_CTL_REG (0X960A RESET=0X00) USB_EP3_CTL_REG (0X960B RESET=0X00) USB_EP4_CTL_REG (0X960C RESET=0X00) USB_EP5_CTL_REG (0X960D RESET=0X00) | | | USB Endpoint 0~5 Status and Control Register |
|--|--------|------|--|
| BIT | NAME | R/W | DESCRIPTION |
| 1 | RXOUTB | R/W1 | Received OUT Data Bank: This bit is set by hardware after a new packet has been stored in the Endpoint 0 data buffer. If PingPong is enabled, then this bit is set when either buffer 0 or 1 is full (BUF0_RDY or BUF1_RDY is set). Then, the Endpoint Interrupt is triggered if enabled. All following OUT packets to the Endpoint Bank 0 are rejected (NAK'd) until this bit has been cleared. (If PingPong is enabled, NAK is sent if both buffers are full), except for Isochronous endpoints. However, for Control endpoints, an early SETUP transaction (RXOUTB is not set), may overwrite the contents of the endpoint data buffer, even if its data packet is received while this bit is set. This bit should be cleared by software after reading the OUT data from the endpoint buffer. The RXOUTB bit is write one to clear. |
| 0 | NAK | R | This bit is set when a NAK handshake is issued for this endpoint. |

11.15 USB Endpoint 0 Buffer Registers

The endpoint buffers (0~5) are part of the on-chip ERAM memory, and its start locations are programmable. The firmware views the buffers as memory mapped.

The bi-directional control Endpoint 0 has 2 DMA buffers, one for write, and one for read. It is possible that there is write data in Endpoint 0 Write Buffer, when a Setup packet is received. The USB controller would reset the Address pointer and Count for Endpoint 0 Write Buffer automatically, enabling reception of this packet. Some of the Setup packets are handled by the UDC core automatically. As the USB bytes are received, the data is stored in Endpoint 0 Write Buffer. But if the UDC core can handle it internally, then the Endpoint 0 Write Address and count registers are reset automatically, and a packet reception is informed to the CPU as an OVERWRITE.

TABLE 11-12: USB ENDPOINT 0 WRITE ADDRESS LOW REGISTER

| USB_EP0W_ADDRL_REG (0X960E RESET=0X00) | | | USB Endpoint Write Address Low Register |
|--|-------------|-----|--|
| BIT | NAME | R/W | DESCRIPTION |
| 7:0 | AdrPtr[7:0] | R/W | Base Address lower bits pointing to on-chip ERAM for the Endpoint 0 Write Data. The address must be aligned to an address boundary which is a multiple of the size. 8B buffer: AdrPtr[2:0] must be 000 16B buffer: AdrPtr[3:0] must be 0000 32B buffer: AdrPtr[4:0] must be 00000 64B buffer: AdrPtr[5:0] must be 000000 As each byte is transferred to USB, this register increments and points to the next address. The address rolls over based on the size of the buffer. |

SEC1110/SEC1210

TABLE 11-13: USB ENDPOINT 0 WRITE ADDRESS HIGH REGISTER

| USB_EP0W_ADDRH_REG (0X960F RESET=0X00) | | | USB Endpoint 0 Write Address High Register |
|---|--------------|-----|---|
| BIT | NAME | R/W | DESCRIPTION |
| 7 | Reserved | R | Always read as 0 |
| 6 | Reserved | R | Always read as 0 |
| 5:4 | Size | R/W | This field indicates the Endpoint 0 buffer size: 00 : 8B buffer 01 : 16B buffer 10 : 32B buffer 11 : 64B buffer |
| 3:0 | AdrPtr[11:8] | R/W | Base Address higher bits pointing to on-chip ERAM for the Endpoint 0 write data. |

TABLE 11-14: USB ENDPOINT 0 WRITE BYTE COUNT REGISTER

| USB_EP0W_BYTE_CNT_REG (0X9610 RESET=0X00) | | | USB Endpoint 0 Byte Count Register |
|--|-----------|-----|--|
| BIT | NAME | R/W | DESCRIPTION |
| 7 | OVERWRITE | R | This bit is set when a Setup packet is received from the USB, and the previous buffer data has not been read by the software yet. The software must ignore the previous USB command and respond to the Setup command. |
| 6:0 | COUNT | R/W | Byte Count: This is the number of valid bytes that have been received. This value will never be greater than the MaxPktSize for the endpoint. As bytes are received from the USB, this counter increments. If the packet was not received successfully, then it is automatically reset to 0. The Count Register is also cleared when the RXOUTB bit for EP0 is reset by firmware. |

Note: *Anomaly 10* in SEC1110/SEC1210 chip: when a SETUP packet overwrites an earlier SETUP/OUT packet in Endpoint 0 the write buffer may show a byte-count other than 8 in the USB_EP0W_BYTE_CNT_REG. The byte-count could be the sum of the previous packet and the current packet. Since SETUP packets are always 8 bytes, firmware must ignore the USB_EP0W_BYTE_CNT_REG and assume that 8 bytes were received unless an error was indicated. This anomaly is fixed in SEC1110/SEC1210.

TABLE 11-15: USB ENDPOINT 0 READ ADDRESS LOW REGISTER

| USB_EP0R_ADDRL_REG (0X9611 RESET=0X00) | | | USB Endpoint Read Address Low Register |
|---|-------------|-----|---|
| BIT | NAME | R/W | DESCRIPTION |
| 7:0 | AdrPtr[7:0] | R/W | Base Address lower bits pointing to on-chip ERAM for the Endpoint 0 read data. The address must be aligned to an address boundary which is a multiple of the size. 8B buffer: AdrPtr[2:0] must be 000b 16B buffer: AdrPtr[3:0] must be 0000b 32B buffer: AdrPtr[4:0] must be 00000b 64B buffer: AdrPtr[5:0] must be 000000b As each byte is transferred to USB, this register increments and points to the next address. The address rolls over based on the size of the buffer. |

TABLE 11-16: USB ENDPOINT 0 READ ADDRESS HIGH REGISTER

| USB_EP0R_ADDRH_REG (0X9612 RESET=0X00) | | | USB Endpoint 0 Read Address High Register |
|---|--------------|-----|---|
| BIT | NAME | R/W | DESCRIPTION |
| 7 | Reserved | R | Always read as 0 |
| 6 | Reserved | R | Always read as 0. |
| 5:4 | Size | R/W | This field indicates the Endpoint 0 buffer size: 00 : 8B buffer 01 : 16B buffer 10 : 32B buffer 11 : 64B buffer |
| 3:0 | AdrPtr[11:8] | R/W | Base Address higher bits pointing to on-chip ERAM for the Endpoint 0 read data. |

TABLE 11-17: USB ENDPOINT 0 READ BYTE COUNT REGISTER

| USB_EP0R_BYTE_CNT_REG (0X9613 RESET=0X00) | | | USB Endpoint 0 Read Byte Count Register |
|--|----------|-----|---|
| BIT | NAME | R/W | DESCRIPTION |
| 7 | Reserved | R | Always read as 0 |
| 6:0 | COUNT | R/W | This field is the number of valid bytes to send in the next IN. This value should never be greater than the MaxPktSize for the endpoint. As the bytes are transferred over USB, this register decrements, and it indicates the number of bytes left in the buffer. |

11.16 Endpoints 1~5 Buffer Registers

Each endpoints numbered 1~5 may be configured to be used with the UDC core or SPI1 or UART, as indicated by the **PERIPHERAL[1:0]** bits. Each of these may be configured as IN (data is transmitted) or OUT (data is received) endpoint as indicated by the **Direction** bit.

TABLE 11-18: USB ENDPOINT 1-5 ADDRESS LOW REGISTER

| USB_EP1_ADDRL_REG (0X9614 RESET=0X00) USB_EP2_ADDRL_REG (0X9618 RESET=0X00) USB_EP3_ADDRL_REG (0X961C RESET=0X00) USB_EP4_ADDRL_REG (0X9620 RESET=0X00) USB_EP5_ADDRL_REG (0X9624 RESET=0X00) | | | USB Endpoint 1-5 Address Low Register |
|--|-------------|-----|---|
| BIT | NAME | R/W | DESCRIPTION |
| 7:0 | AdrPtr[7:0] | R/W | Base Address lower bits pointing to on-chip ERAM for the Endpoint 1-5 read/write data. The address must be aligned to an address boundary which is a multiple of the size. 8B buffer: AdrPtr[2:0] must be 000b 16B buffer: AdrPtr[3:0] must be 0000b 32B buffer: AdrPtr[4:0] must be 00000b 64B buffer: AdrPtr[5:0] must be 000000b |

SEC1110/SEC1210

TABLE 11-19: USB ENDPOINT 1~5 ADDRESS HIGH REGISTER

| USB_EP1_ADDRH_REG (0X9615 RESET=0X00) USB_EP2_ADDRH_REG (0X9619 RESET=0X00) USB_EP3_ADDRH_REG (0X961D RESET=0X00) USB_EP4_ADDRH_REG (0X9621 RESET=0X00) USB_EP5_ADDRH_REG (0X9625 RESET=0X00) | | | USB Endpoint 1~5 Write Address High Register |
|---|--------------|-----|---|
| BIT | NAME | R/W | DESCRIPTION |
| 7 | Direction | R/W | This bit indicates the direction of the endpoint. 0 : OUT (data is received) 1 : IN (data is transmitted) |
| 6 | PingPong | R/W | If the PingPong bit is set, then there are 2 Size buffers allocated for this endpoint. The AdrPtr[7:0] field must be aligned to an address boundary which is a multiple of twice that of Size. |
| 5:4 | Size | R/W | This field indicates the endpoint buffer size: 00 : 8B buffer 01 : 16B buffer 10 : 32B buffer 11 : 64B buffer |
| 3:0 | AdrPtr[11:8] | R/W | Base Address higher bits pointer to on-chip ERAM for the endpoint 1~5 data. |

The USB firmware must maintain a copy of the **PingPong** bit in firmware to distinguish which buffer was first received/transmitted when both buffers are full.

TABLE 11-20: USB ENDPOINT 1~5 BYTE COUNT0 REGISTER

| USB_EP1_CNT_REG (0X9616 RESET=0X00) USB_EP2_CNT_REG (0X961A RESET=0X00) USB_EP3_CNT_REG (0X961E RESET=0X00) USB_EP4_CNT_REG (0X9622 RESET=0X00) USB_EP5_CNT_REG (0X9626 RESET=0X00) | | | USB Endpoint 1~5 Byte Count0 Register |
|---|----------|-----|---|
| BIT | NAME | R/W | DESCRIPTION |
| 7 | Reserved | R | Always read as 0 |
| 6:0 | COUNT0 | R/W | Byte Count: This field is the number of valid bytes that have been received for an OUT endpoint or the number of valid bytes to send in the next IN, for an IN endpoint. This value would never be greater than the MaxPktSize for the endpoint. As bytes are received (OUT)/transmitted (IN) from the USB, this counter increments (IN)/decrements (OUT). If the packet was not received successfully, then it is automatically reset to 0 for an OUT endpoint. |

TABLE 11-21: USB ENDPOINT 1~5 BYTE COUNT1 REGISTER

| USB_EP1_CNT1_REG (0X962A RESET=0X00) USB_EP2_CNT1_REG (0X962B RESET=0X00) USB_EP3_CNT1_REG (0X962C RESET=0X00) USB_EP4_CNT1_REG (0X962D RESET=0X00) USB_EP5_CNT1_REG (0X962E RESET=0X00) | | | USB Endpoint 1~5 Byte Count1 Register |
|---|----------|-----|--|
| BIT | NAME | R/W | DESCRIPTION |
| 7 | Reserved | R | Always read as 0 |
| 6:0 | COUNT1 | R/W | Byte Count: used when BUF1_RDY bit is set. This field is the number of valid bytes that have been received for an OUT endpoint or the number of valid bytes to send in the next IN, for an IN endpoint. This value would never be greater than the MaxPktSize for the endpoint. As bytes are received (OUT)/transmitted (IN) from the USB, this counter increments (IN)/decrements (OUT). If the packet was not received successfully, then it is automatically reset to 0 for an OUT endpoint. |

TABLE 11-22: USB ENDPOINT 0~5 BUFFER READY REGISTER

| USB_EP1_BUFRDY_REG (0X9617 RESET=0X00) USB_EP2_BUFRDY_REG (0X961B RESET=0X00) USB_EP3_BUFRDY_REG (0X961F RESET=0X00) USB_EP4_BUFRDY_REG (0X9623 RESET=0X00) USB_EP5_BUFRDY_REG (0X9627 RESET=0X00) | | | USB Endpoint 1~5 Buffer ready Registers |
|---|-----------------|-----|--|
| BIT | NAME | R/W | DESCRIPTION |
| 7:6 | PERIPHERAL[1:0] | R/W | These bits indicate which peripheral device IO the endpoints are mapped to. 00 : USB 01 : SPI1 10 : UART 11 : Reserved |
| 5:2 | Reserved | R | Always read as 0 |
| 1 | BUF1_RDY | R/W | This bit is used only if the PingPong bit is enabled for the endpoint. For an IN endpoint (data is transmitted), the firmware sets this bit to indicate buffer 1 is ready. The hardware resets this bit after data is transmitted. The COUNT1 Register indicates the number of bytes (can be maximum size packet or less than that for last packet) received or transmitted. |

SEC1110/SEC1210

TABLE 11-22: USB ENDPOINT 0~5 BUFFER READY REGISTER

| USB_EP1_BUFRDY_REG (0X9617 RESET=0X00) USB_EP2_BUFRDY_REG (0X961B RESET=0X00) USB_EP3_BUFRDY_REG (0X961F RESET=0X00) USB_EP4_BUFRDY_REG (0X9623 RESET=0X00) USB_EP5_BUFRDY_REG (0X9627 RESET=0X00) | | | USB Endpoint 1~5 Buffer ready Registers |
|---|----------|-----|---|
| BIT | NAME | R/W | DESCRIPTION |
| 0 | BUF0_RDY | R/W | <p>For an IN endpoint (data is transmitted), this bit is set by the firmware to indicate that data is ready to be sent. The COUNT0 Register indicates the number of bytes (can be maximum size packet or less than that for last packet). After the data is transmitted by the device, the hardware would reset this bit for Buffer 0 ready. If PingPong is enabled, then the firmware sets the BUF0_RDY bit for first packet, BUF1_RDY for the second packet and so on. The hardware empties the buffers similarly, and resets the ready bits. If data is not available (ready bit is not set), then a NACK would be sent for that endpoint (USB), or an underflow (SPI1 or UART) may occur.</p> <p>For an OUT endpoint (data is received), this bit is set by the hardware to indicate the buffer has data. The COUNT0 Register indicates the number of bytes (can be maximum size packet or less than that for last packet). After the firmware has read the data, it indicates the buffer is available for hardware, by writing a 1 to reset this bit. If the PingPong bit is enabled, then hardware fills Buffer 0 and 1 alternatively and sets the BUF0_RDY, then BUF1_RDY bits accordingly. The firmware resets these bits when data is read. The hardware will not write data to a buffer if its ready bit is set, indicating that the firmware has not read the data. This may cause a NACK to be sent for that endpoint (USB), or an overflow (SPI1 or UART) may occur.</p> <p>If the firmware does a write with both bits (BUF0_RDY and BUF1_RDY) set, then both hardware internal pointers to buffer and BUF0_RDY, BUF1_RDY bits are reset, irrespective of the PingPong bit setting.</p> |

If the **PERIPHERAL[1:0]** bits indicate an endpoint as mapped to USB core, then for an OUT endpoint, setting of the **BUF0_RDY** or **BUF1_RDY** bits would also cause setting the **TXRDY** bit in corresponding **EPx_CTL_REG**. Similarly, for an IN endpoint mapped to USB core, resetting of **BUF0_RDY** or **BUF1_RDY** would also cause resetting the **RXOUTB0** bit in the corresponding **EPx_CTL_REG**.

The COUNT0 and COUNT1 registers indicate the byte count valid for buffers 0 and 1 when **BUF0_RDY** and **BUF1_RDY** are set, respectively.

TABLE 11-23: USB ENDPOINT INTERRUPT REGISTER

| USB_EP_ISR_REG (0X9628 RESET=0X00) | | | USB Endpoint Interrupt Register |
|---|----------|------|---|
| BIT | NAME | R/W | DESCRIPTION |
| 7:6 | Reserved | R | Always reads as 0 |
| 5 | EP5INT | R/W1 | <p>Endpoint 5 Interrupt:</p> <p>This bit is set when an interrupt has been detected on Endpoint 5. The interrupt sources are part of the USB_EP5_CTL_REG Register and can be: TXCMP, RXOUTB0 (BUF0_RDY/BUF1_RDY), UNSUCCESSFUL. A USB interrupt is triggered when USB_EP_ISR_IE_REG.EP5INT_EN is set.</p> <p>This bit is cleared by hardware when a 1 is written.</p> |

TABLE 11-23: USB ENDPOINT INTERRUPT REGISTER (CONTINUED)

| USB_EP_ISR_REG (0X9628 RESET=0X00) | | | USB Endpoint Interrupt Register |
|---------------------------------------|--------|------|---|
| BIT | NAME | R/W | DESCRIPTION |
| 4 | EP4INT | R/W1 | <p>Endpoint 4 Interrupt:</p> <p>This bit is set when an interrupt has been detected on Endpoint 4. The interrupt sources are part of the USB_EP4_CTL_REG Register and can be: TXCMP, RXOUTB0 (BUF0_RDY/BUF1_RDY), UNSUCCESSFUL. A USB interrupt is triggered when USB_EP_ISR_IE_REG.EP4INT_EN is set.</p> <p>This bit is cleared by hardware when a 1 is written.</p> |
| 3 | EP3INT | R/W1 | <p>Endpoint 3 Interrupt:</p> <p>This bit is set when an interrupt has been detected on Endpoint 3. The interrupt sources are part of the USB_EP3_CTL_REG Register and can be: TXCMP, RXOUTB0 (BUF0_RDY/BUF1_RDY), UNSUCCESSFUL. A USB interrupt is triggered when USB_EP_ISR_IE_REG.EP3INT_EN is set.</p> <p>This bit is cleared by hardware when a 1 is written.</p> |
| 2 | EP2INT | R/W1 | <p>Endpoint 2 Interrupt:</p> <p>This bit is set when an interrupt has been detected on Endpoint 2. The interrupt sources are part of the USB_EP2_CTL_REG Register and can be: TXCMP, RXOUTB0 (BUF0_RDY/BUF1_RDY), UNSUCCESSFUL. A USB interrupt is triggered when USB_EP_ISR_IE_REG.EP2INT_EN is set.</p> <p>This bit is cleared by hardware when a 1 is written.</p> |
| 1 | EP1INT | R/W1 | <p>Endpoint 1 Interrupt:</p> <p>This bit is set when an interrupt has been detected on Endpoint 1. The interrupt sources are part of the USB_EP1_CTL_REG Register and can be: TXCMP, RXOUTB0 (BUF0_RDY/BUF1_RDY), UNSUCCESSFUL. A USB interrupt is triggered when USB_EP_ISR_IE_REG.EP1INT_EN is set.</p> <p>This bit is cleared by hardware when a 1 is written.</p> |
| 0 | EP0INT | R/W1 | <p>Endpoint 0 Interrupt:</p> <p>This bit is set when an interrupt has been detected on Endpoint 0. The interrupt sources are part of the USB_EP0_CTL_REG Register and can be: TXCMPL, RXOUTB0, RXOUTB1, RXSETUP, or UNSUCCESSFUL. A USB interrupt is triggered when USB_EP_ISR_IE_REG.EP0INT_EN is set.</p> <p>This bit is cleared by hardware when a 1 is written.</p> |

TABLE 11-24: USB ENDPOINT INTERRUPT ENABLE REGISTER

| USB_EP_ISR_EN_REG (0X9629 RESET=0X00) | | | USB Endpoint Interrupt Enable Register |
|--|-----------|-----|--|
| BIT | NAME | R/W | DESCRIPTION |
| 7:6 | Reserved | R | Always read as 0 |
| 5 | EP5INT_EN | R/W | <p>Endpoint 5 Interrupt Enable:</p> <p>Set this bit to enable the interrupts for this endpoint.</p> <p>Clear this bit to disable the interrupts for this endpoint.</p> |
| 4 | EP4INT_EN | R/W | <p>Endpoint 4 Interrupt Enable:</p> <p>Set this bit to enable the interrupts for this endpoint.</p> <p>Clear this bit to disable the interrupts for this endpoint.</p> |

SEC1110/SEC1210

TABLE 11-24: USB ENDPOINT INTERRUPT ENABLE REGISTER (CONTINUED)

| USB_EP_ISR_EN_REG (0X9629 RESET=0X00) | | | USB Endpoint Interrupt Enable Register |
|--|-----------|-----|---|
| BIT | NAME | R/W | DESCRIPTION |
| 3 | EP3INT_EN | R/W | Endpoint 3 Interrupt Enable: Set this bit to enable the interrupts for this endpoint. Clear this bit to disable the interrupts for this endpoint. |
| 2 | EP2INT_EN | R/W | Endpoint 2 Interrupt Enable: Set this bit to enable the interrupts for this endpoint. Clear this bit to disable the interrupts for this endpoint. |
| 1 | EP1INT_EN | R/W | Endpoint 1 Interrupt Enable: Set this bit to enable the interrupts for this endpoint. Clear this bit to disable the interrupts for this endpoint. |
| 0 | EPOINT_EN | R/W | Endpoint 0 Interrupt Enable: Set this bit to enable the interrupts for this endpoint. Clear this bit to disable the interrupts for this endpoint. |

12.0 GPIO AND LED INTERFACE

The registers in this block are on the 8051 XDATA bus. They are defined as an offset.

The SEC1110 and SEC1210 GPIO Interface provides general purpose input monitoring and output control, as well as managing many aspects of pin functionality; including, multi-function pin multiplexing control, output buffer type control, PU/PD resistors, asynchronous wake-up and synchronous interrupt detection, GPIO direction, pad current control, and polarity control.

Features of the GPIO Interface include:

- Inputs:
 - Asynchronous rising and falling edge wake-up detection
 - Interrupt High or Low Level
 - Can disable input (always reads as 0) to disable wake-up detection
- Pull-up or pull-down resistor control
- Interrupt and wake capability available for all GPIOs
- Debounce filter with individual programmable timer (10 μ s - 256 ms)

12.1 GPIO Pin Mapping

Each GPIO pad may be operated as a General Purpose Input Output pin (GPIO), or connected through two auxiliary interfaces (A or B) to an internal functional block. An internal functional block must be initialized first before switching its GPIO pins to Auxiliary Mode. In Auxiliary Mode, the output, output enable, input, and input enable of the Auxiliary block are connected to the corresponding pad signals. Additionally, if the pull-up/pull-down enable bit of the **GPIO_PORTx_PUD_EN** is zero, the functional block connected to the Auxiliary port controls the pull-up, and pull-down resistor of the pads.

If an auxiliary block does not have pull-up/pull-down control, then the **GPIO_PORTx_PUD_EN** bit can be set to enable pull-up or pull-down to the pad.

For **GPIO0 (SC1_IO)** and **GPIO16 (SC2_IO)** pads, there are additional register bits defined to indicate the strength of pull-up resistor, as 20 k Ω or 11 k Ω .

The GPIO_IN Register is writable. If **GPIO_IN_EN** register bit is disabled, then a pad input may be disabled, and the input value written by software.

The GPIO PORT3 is configured as a read-only port in SEC1110/SEC1210.

TABLE 12-1: GPIO PIN MAPPING

| PORT# | GPIO# | SEC1110 AND SEC1210 PACKAGE | | | COMMENT |
|-------|-------|-------------------------------------|--------------|----------|-----------------------------------|
| | | GPIO | AUX A | AUX B | POWER RAIL, DEBOUNCE |
| PORT0 | GPIO0 | GPIO0 | SC1_IO | | SC1_VCC (Note 12-2) |
| | GPIO1 | GPIO1 | SC1_CLK | | SC1_VCC (Note 12-2) |
| | GPIO2 | GPIO2 | SC1_RST_N | | SC1_VCC (Note 12-2) |
| | GPIO3 | GPIO3 | SC1_C4 | | SC1_VCC (Note 12-2) |
| | GPIO4 | GPIO4 | SC1_C8 | | SC1_VCC (Note 12-2) |
| | GPIO5 | GPIO5/ TIMER2_T2EX | SC_LED_ACT_N | JTAG_TDO | VDD33 (Note 12-7) |
| | GPIO6 | SC1_PRSNT_N/ GPIO6/ TIMER0_IN | | JTAG_TMS | VDD33, DEBOUNCE (Note 12-8) |
| | GPIO7 | GPIO7 | Reserved | Reserved | VDD33 (Note 12-10) |

SEC1110/SEC1210

TABLE 12-1: GPIO PIN MAPPING (CONTINUED)

| PORT# | GPIO# | SEC1110 AND SEC1210 PACKAGE | | | COMMENT |
|-------|--------|-----------------------------|------------------------|----------------|--|
| | | GPIO | AUX A | AUX B | POWER RAIL, DEBOUNCE |
| PORT1 | GPIO8 | GPIO8 | SPI1_MISO | RXD | VDD33, DEBOUNCE |
| | GPIO9 | GPIO9 | SPI1_MOSI | TXD | VDD33, DEBOUNCE |
| | GPIO10 | GPIO10 | SPI1_CLK | CTS | VDD33, DEBOUNCE |
| | GPIO11 | GPIO11 | SPI1_CE_N | RTS | VDD33, DEBOUNCE |
| | GPIO12 | GPIO12 | SPI2_MI | Reserved | VDD33 DEBOUNCE (Note 12-1) |
| | GPIO13 | GPIO13 | SPI2_MO | Reserved | VDD33 DEBOUNCE (Note 12-1) |
| | GPIO14 | GPIO14 | SPI2_CLK | Reserved | VDD33 DEBOUNCE (Note 12-1) |
| | GPIO15 | GPIO15 | SPI2_CE_N | Reserved | VDD33 DEBOUNCE (Note 12-1) |
| PORT2 | GPIO16 | GPIO16/ TIMER2_CC_IN0 | SC2_IO | TIMER2_CC_OUT0 | SC2_VCC DEBOUNCE (Note 12-1, Note 12-3) |
| | GPIO17 | GPIO17/ TIMER2_CC_IN1 | SC2_CLK | TIMER2_CC_OUT1 | SC2_VCC DEBOUNCE (Note 12-1, Note 12-3) |
| | GPIO18 | GPIO18/ TIMER2_CC_IN2 | SC2_RST_N | TIMER2_CC_OUT2 | SC2_VCC DEBOUNCE (Note 12-1, Note 12-3) |
| | GPIO19 | SC2_PRSNT_N | JTAG_TDI | TIMER1_IN | VDD33, DEBOUNCE (Note 12-1, Note 12-9, Note 12-10) |
| | GPIO20 | GPIO20/TIMER2_C C_IN3 | PCLK_ENABLE | TIMER2_CC_OUT3 | VDD33 DEBOUNCE |
| | GPIO21 | GPIO21 | JTAG_CLK | TIMER2_IN | VDD33, DEBOUNCE (Note 12-5) |
| | GPIO22 | GPIO22 | TEST/ EXT_OSC_48MHZ | Unassigned | VDD33 (Note 12-6) |
| | GPIO23 | PCLK_IN_48MHZ/G PIO23 | Reserved | Reserved | VDD33 DEBOUNCE |

TABLE 12-1: GPIO PIN MAPPING (CONTINUED)

| PORT# | GPIO# | SEC1110 AND SEC1210 PACKAGE | | | COMMENT |
|-------|--------|-----------------------------|----------|----------|----------------------|
| | | GPIO | AUX A | AUX B | POWER RAIL, DEBOUNCE |
| PORT3 | GPIO24 | BOND0 | Reserved | Reserved | VDD33 |
| | GPIO25 | BOND1 | Reserved | Reserved | VDD33 |
| | GPIO26 | BOND2/EXT_SPI2_EN | Reserved | Reserved | VDD33 |
| | GPIO27 | BOND3/GPIO27 | Reserved | Reserved | VDD33 |
| | GPIO28 | PJTAG_TMS | Reserved | Reserved | VDD33 DEBOUNCE |
| | GPIO29 | PJTAG_TDI | Reserved | Reserved | VDD33 DEBOUNCE |
| | GPIO30 | PJTAG_TDO | Reserved | Reserved | VDD33 DEBOUNCE |
| | GPIO31 | Reserved | Reserved | Reserved | VDD33 |

The mapping of the GPIO pins to the package pins is shown in [Table 12-1, "GPIO Pin Mapping," on page 117.](#)

- Note 12-1** The **SPI2_MI**, **SPI2_MO**, **SPI2_CLK**, **SPI2_CE** pads are not available in the SEC1110 and SEC1210 packages. The SPI2 Master can also be observed using the SC2 pads in the SEC1210 package. The selection of these alternate ports is based on Auxiliary Enable and Auxiliary Select registers (**aux_port2_b_en[3:0]**) and if the SPI2 clock is enabled (**SPI2_CLK_EN**). If SPI2 is disabled, the Timer 2 **ccbus[2:0]** is connected to the **GPIO[18:16]** as outputs. The SPI2 interface is enabled by **BOND2** in the QFN48 debug package.
- Note 12-2** The **SC1_CLK**, **SC1_IO**, **SC1_RST_N**, **SC1_C4**, and **SC1_C8** pads are in the **SC1_VCC** power rail (5V/3.0V/1.8V/0V). The pad's pull-ups and pull-downs are controlled by the Smart Card 1 Block in Auxiliary A Mode.
- Note 12-3** The **SC2_CLK**, **SC2_IO**, and **SC2_RST_N** pads are in the **SC2_VCC** power rail (5V/3.0V/1.8V/0V). The pad's pull-ups and pull-downs are controlled by the Smart Card 2 Block in Auxiliary A Mode.
- Note 12-4** VDD33 power rail is powered down in STOP power mode.
- Note 12-5** The power up state of the **GPIO21** pin when **RESET_N** is released controls the JTAG Mode. The **JTAG_CLK** pad has a weak pull-down at reset time. An external pull-up is applied to enable JTAG at reset time. This pull-down can be disabled if software determines the chip is in Debug Mode. The JTAG Mode is disabled if the **OTP_JTAG_DIS** bit is programmed. The **GPIO21** pad powers up as **JTAG_CLK** in Auxiliary A Mode if JTAG is enabled. If not in JTAG Mode, this pin may be used as **TIMER2_IN(t2)** input or as **GPIO21**.
- Note 12-6** The power up state of the **TEST** pin when **RESET_N** is released controls the Test Mode. The **TEST** pad has a weak pull-down. In Functional Mode, the software disables the input enable for this bit and disables the pull-down.
- Note 12-7** The **GPIO5/TIMER2_T2EX** input may be used to control the Timer 2 in Reload Mode 1. The **TIMER2_CC_OUT[2:0]** outputs of Timer 2 are output through **GPIO[18:16]** pins in Auxiliary B Mode. These are used to generate a pulse-width modulated waveform. Alternatively, these pads may be used as **TIMER2_CC_IN[2:0]** inputs in Capture Mode.
- Note 12-8** The **GPIO6/TIMER0_IN** pin may be used as a t0 input for Timer 0 In Auxiliary A Mode, this pin may be used as **JTAG_TDI** input (if JTAG is enabled), or **SPI2_MI** (If SPI2 is enabled in SEC1210 package). The **GPIO19/TIMER1_IN** pin may be used as an "t1" input for Timer 1. Additionally, the **Ref_Clk_Out** signal is observed in Auxiliary B Mode for monitoring the frequency of the oscillator clocks.
- Note 12-9** The **GPIO19/TIMER1_IN** pin may be used as a t1 input for Timer 1. Additionally, the **Ref_Clk_Out** signal is observed in Auxiliary B Mode for monitoring the frequency of the oscillator clocks.
- Note 12-10** There is no **GPIO7** package pin. The **GPIO_PORT0_OUT7** Register, when zero, allows the **GPIO5** pin to function normally. The **GPIO_PORT0_DIR[7]** Register, when zero, enables normal functionality

SEC1110/SEC1210

of the **GPIO6** and **GPIO19** pads. When the **GPIO_PORT0_DIR[7]** Register is set, it disables the updates to the **GPIO_PORT0_IN[6]** and **GPIO_PORT0_IN[19]** register bits from the pads. This functionality is used when **JTAG_CLK_LAT** is enabled and functionality of **SC1_PRSNT_N** and **SC2_PRSNT_N** can be emulated by software.

Note 12-11 In the SEC1110/SEC1210 revision, the **BOND3** pad is used as **JTAG_TRSTN** (active low) pins for 8051 JTAG and TEST_JTAG controllers. In SEC1110/SEC1210 version, the **BOND3** is not used as JTAG_TRSTN (not needed). The internal pull-up is enabled for this pin in functional and test modes.

Note 12-12 In QFN48 debug package, the **PJTAG_TDI**, **PJTAG_TMS** inputs are used for JTAG. In other packages, these inputs are disabled.

Note 12-13 In other packages, these inputs are disabled.

Note 12-14 Though **PJTAG_TDO** is connected as **GPIO[30]** which is part of read-only **GPIO3** ports, this pad is an output in QFN48 debug package. It is driven when chip is out of reset. The input enable is controlled by the **GPIO** registers.

The bond options are shown in [Table 12-2, "Bond Options"](#).

TABLE 12-2: BOND OPTIONS

| PART | BOND0 | BOND1 | BOND2 | BOND3 | DESCRIPTION |
|----------|-------|-------|-------|----------------------|--|
| SEC1110 | 0 | 0 | X | H (internal pull-up) | SEC1110 Mode |
| SEC1210 | 0 | 1 | X | H (internal pull-up) | SEC1210 Mode |
| Reserved | 1 | 0 | X | | Reserved |
| Debug | 1 | 1 | 0 | 1 | SEC1110 Debug Package SPI2 port present CPU executes from internal ROM/ OTP ROM CFG_DEBUG=1 |
| Debug | 1 | 1 | 1 | 1 | SEC1110 Debug Package SPI2 port present CPU executes from external SPI2 ROM EXT_SPI_EN=1 for this case, and EXT_SPI_EN=0 otherwise CFG_DEBUG=1 |

12.1.1 PROCEDURE FOR READING THE BOND_OPT REGISTER

To read the BOND bits:

1. Enable the pull-ups on the BOND GPIO pads.
2. Wait (at least) 1 μ sec for the pull-ups to take effect.
3. Read the **GPIO_PORT3_IN** Register.
4. Disable the pull-ups, tristate the BOND pads, and disable input reads.

The **BOND2** input indicates if reset execution is from external SPI2 or internal ROM/OTP_ROM.

12.2 Functional Mode and Test Modes

The chip is in low power STOP Mode, when the **RESET_N** signal is asserted low. All the GPIO pads are powered down in this state. On release of the internal **RESET_N** pin signal, the power to the pads is applied and the state of the **TEST**, **JTAG_CLK**, and **JTAG_TDI** pins are latched. When latched, these values are referred to as the **TEST_LAT**, **JTAG_CLK_LAT**, and **JTAG_TDI_LAT**. The desired state of **TEST**, **JTAG_CLK**, and **JTAG_TDI** must be not changed for 1.4 ms after the release of **RESET_N**. After this time, the **TEST** and **JTAG_CLK** pins may be used as described in [Table 12-3, "Functional Mode and Test Modes,"](#) on page 121.

The **TEST** and **JTAG_CLK** pads have a weak pull-down just after the reset state (internal regulators are powered up). In normal functional modes, the **TEST** and **JTAG_CLK** pins are grounded.

If JTAG debugging support is required, then a pull-up may be applied on the **JTAG_CLK** and **TEST** pin is grounded.

The **JTAG_TDI_LAT** value is used by the boot ROM firmware to decide the **MEM_CLK_DIV** value at boot time for External Clock Mode.

A power cycle is required to switch the chip mode.

TABLE 12-3: FUNCTIONAL MODE AND TEST MODES

| RESET_N=0, RESET_N RELEASED (T < 1.4 MS) | | | T > 1.4 MS AFTER RESET_N RELEASE | | |
|---|------|-------------------------|----------------------------------|-----------------------------|---|
| RESET STATE FUNCTION | TEST | JTAG_ CLK/G PIO21 | TEST | JTAG_CLK/G PIO21 | RESET RELEASED FUNCTION |
| STOP Mode when RESET_N=0 | 0 | 0 | X | PIO21/ TIMER2_IN | Functional Mode: Chip Functional Mode with JTAG disabled. TEST_LAT=0, JTAG_CLK_LAT=0 |
| STOP Mode when RESET_N=0 | 0 | 1 | X (0 recommended) | JTAG_CLK | Debug1 Mode: Chip Functional Mode with JTAG enabled, provided the JTAG_DIS bit is 0 (OTP Register). If the JTAG_DIS bit is 1, then the chip functions in Functional Mode. TEST_LAT=0, JTAG_CLK_LAT=1 |
| STOP Mode when RESET_N=0 | 1 | 1 | EXT_OSC_48 MHZ | JTAG_CLK | Debug2 Mode: Chip Functional Mode with JTAG enabled provided the JTAG_DIS bit is 0 (OTP Register). The TEST pin is used as an external 48 MHz oscillator input. OSC48_CTL.EXT_OSC48_PRESENT is 1 in this Mode. If the JTAG_DIS bit is 1, then the chip functions in Functional Mode. TEST_LAT=1, JTAG_CLK_LAT=1 |
| STOP Mode when RESET_N=0 | 1 | 0 | X | X | Test Mode: TEST_LAT=1, JTAG_CLK_LAT=0 |

12.3 GPIO Registers Summary

The register addresses indicated below are XDATA memory addresses. The GPIO ports are configured as 8-bits wide, and there are four GPIO ports numbered 0,1,2,3. There are two memory decode regions for the GPIO registers. The Alternate XDATA address decode enables access as a bit-indexed array.

SEC1110/SEC1210

TABLE 12-4: GPIO REGISTER MAP

| PORT# | REGISTER NAME | XDATA ADDRESS | ALTERNATE XDATA ADDRESS | EC TYPE |
|------------------------|-------------------------|---------------|-------------------------|---------|
| PORT0 | GPIO_AUX_PORT0_EN | 0x9C00 | 0x9D00 | R/W |
| | GPIO_PORT0_DIR | 0x9C01 | 0x9D04 | R/W |
| | GPIO_PORT0_IN | 0x9C02 | 0x9D08 | R/W |
| | GPIO_PORT0_OUT | 0x9C03 | 0x9D0C | R/W |
| | GPIO_PORT0_PUD_EN | 0x9C04 | 0x9D10 | R/W |
| | GPIO_PORT0_DEBOUNCE_CNT | 0x9C05 | 0x9D14 | R/W |
| | GPIO_AUX_PORT0_SEL | 0x9C06 | 0x9D18 | R/W |
| | GPIO_PORT0_INT_EN | 0x9C07 | 0x9D1C | R/W |
| | GPIO_PORT0_PUD | 0x9C08 | 0x9D20 | R/W |
| | GPIO_PORT0_OE | 0x9C09 | 0x9D24 | R/W |
| | GPIO_PORT0_INTYPE | 0x9C0A | 0x9D28 | R/W |
| | GPIO_PORT0_INT_EDGE | 0x9C0B | 0x9D2C | R/W |
| | GPIO_PORT0_IN_EN | 0x9C0C | 0x9D30 | R/W |
| | GPIO_PORT0_INT_STS | 0x9C0D | 0x9D34 | R/W |
| | GPIO_PORT0_PUS | 0x9C0E | 0x9D38 | R/W |
| GPIO_PORT0_DEBOUNCE_EN | 0x9C0F | 0x9D3C | R/W | |
| PORT1 | GPIO_AUX_PORT1_EN | 0x9C10 | 0x9D01 | R/W |
| | GPIO_PORT1_DIR | 0x9C11 | 0x9D05 | R/W |
| | GPIO_PORT1_IN | 0x9C12 | 0x9D09 | R/W |
| | GPIO_PORT1_OUT | 0x9C13 | 0x9D0D | R/W |
| | GPIO_PORT1_PUD_EN | 0x9C14 | 0x9D11 | R/W |
| | GPIO_PORT1_DEBOUNCE_CNT | 0x9C15 | 0x9D15 | R/W |
| | GPIO_AUX_PORT1_SEL | 0x9C16 | 0x9D19 | R/W |
| | GPIO_PORT1_INT_EN | 0x9C17 | 0x9D1D | R/W |
| | GPIO_PORT1_PUD | 0x9C18 | 0x9D21 | R/W |
| | GPIO_PORT1_OE | 0x9C19 | 0x9D25 | R/W |
| | GPIO_PORT1_INTYPE | 0x9C1A | 0x9D29 | R/W |
| | GPIO_PORT1_INT_EDGE | 0x9C1B | 0x9D2D | R/W |
| | GPIO_PORT1_IN_EN | 0x9C1C | 0x9D31 | R/W |
| | GPIO_PORT1_INT_STS | 0x9C1D | 0x9D35 | R/W |
| | GPIO_PORT1_PUS | 0x9C1E | 0x9D39 | R/W |
| GPIO_PORT1_DEBOUNCE_EN | 0x9C1F | 0x9D3D | R/W | |

TABLE 12-4: GPIO REGISTER MAP (CONTINUED)

| PORT# | REGISTER NAME | XDATA ADDRESS | ALTERNATE XDATA ADDRESS | EC TYPE |
|-------|-------------------------|---------------|-------------------------|---------|
| PORT2 | GPIO_AUX_PORT2_EN | 0x9C20 | 0x9D02 | R/W |
| | GPIO_PORT2_DIR | 0x9C21 | 0x9D06 | R/W |
| | GPIO_PORT2_IN | 0x9C22 | 0x9D0A | R/W |
| | GPIO_PORT2_OUT | 0x9C23 | 0x9D0E | R/W |
| | GPIO_PORT2_PUD_EN | 0x9C24 | 0x9D12 | R/W |
| | GPIO_PORT2_DEBOUNCE_CNT | 0x9C25 | 0x9D16 | R/W |
| | GPIO_AUX_PORT2_SEL | 0x9C26 | 0x9D1A | R/W |
| | GPIO_PORT2_INT_EN | 0x9C27 | 0x9D1E | R/W |
| | GPIO_PORT2_PUD | 0x9C28 | 0x9D22 | R/W |
| | GPIO_PORT2_OE | 0x9C29 | 0x9D26 | R/W |
| | GPIO_PORT2_INTYPE | 0x9C2A | 0x9D2A | R/W |
| | GPIO_PORT2_INT_EDGE | 0x9C2B | 0x9D2E | R/W |
| | GPIO_PORT2_IN_EN | 0x9C2C | 0x9D32 | R/W |
| | GPIO_PORT2_INT_STS | 0x9C2D | 0x9D36 | R/W |
| | GPIO_PORT2_PUS | 0x9C2E | 0x9D3A | R/W |
| | GPIO_PORT2_DEBOUNCE_EN | 0x9C2F | 0x9D3E | R/W |
| PORT3 | GPIO_AUX_PORT3_EN | 0x9C30 | 0x9D03 | R/W |
| | GPIO_PORT3_DIR | 0x9C31 | 0x9D07 | R/W |
| | GPIO_PORT3_IN | 0x9C32 | 0x9D0B | R/W |
| | GPIO_PORT3_OUT | 0x9C33 | 0x9D0F | R/W |
| | GPIO_PORT3_PUD_EN | 0x9C34 | 0x9D13 | R/W |
| | GPIO_PORT3_DEBOUNCE_CNT | 0x9C35 | 0x9D17 | R/W |
| | GPIO_AUX_PORT3_SEL | 0x9C36 | 0x9D1B | R/W |
| | GPIO_PORT3_INT_EN | 0x9C37 | 0x9D1F | R/W |
| | GPIO_PORT3_PUD | 0x9C38 | 0x9D23 | R/W |
| | GPIO_PORT3_OE | 0x9C39 | 0x9D27 | R/W |
| | GPIO_PORT3_INTYPE | 0x9C3A | 0x9D2B | R/W |
| | GPIO_PORT3_INT_EDGE | 0x9C3B | 0x9D2F | R/W |
| | GPIO_PORT3_IN_EN | 0x9C3C | 0x9D33 | R/W |
| | GPIO_PORT3_INT_STS | 0x9C3D | 0x9D37 | R/W |
| | GPIO_PORT3_PUS | 0x9C3E | 0x9D3B | R/W |
| | GPIO_PORT3_DEBOUNCE_EN | 0x9C3F | 0x9D3F | R/W |

12.4 GPIO Registers

In the SEC1110/SEC1210 version, the GPIO block uses the CPU clock. Therefore, if the CPU is in CPU_STOP mode, the GPIO_PORTx_IN registers do not reflect the value of the pins. This is due to the absence of the CPU clock in CPU_STOP mode when debounce clock is enabled. In SEC1110/SEC1210 version, the CPU peripheral clock is connected to GPIO block and hence can wakeup the processor.

The GPIO_PORT3 registers are read only, with controls for pull-up and pull-down. They are used for reading the bond options.

SEC1110/SEC1210

TABLE 12-5: GPIO AUXILIARY PORT 0,1,2,3 ENABLE REGISTER

| GPIO_AUX_PORT0_EN (0X9C00~0X9C00 - RESET= Table 12-21 on page 130) GPIO_AUX_PORT1_EN (0X9C10~0X9C10 - RESET= Table 12-21 on page 130) GPIO_AUX_PORT2_EN (0X9C20~0X9C20 - RESET= Table 12-21 on page 130) GPIO_AUX_PORT3_EN (0X9C30~0X9C30 - RESET= Table 12-21 on page 130) | | | GPIO AUXILIARY PORT 0,1,2,3 ENABLE REGISTER |
|--|-----------------------|-----|---|
| BIT | NAME | R/W | DESCRIPTION |
| 7:0 | GPIO_AUX_PORT_EN[7:0] | R/W | GPIO Auxiliary Port Enable: 0 : Pads controlled by GPIO registers 1 : Pads controlled by Auxiliary Ports A or B. The GPIO_AUX_PORT3_EN Register is read only, and is always 0. |

TABLE 12-6: GPIO PORT 0,1,2,3 DIRECTION REGISTER

| GPIO_PORT0_DIR (0X9C01~0X9C01- RESET=0X00) GPIO_PORT1_DIR (0X9C11~0X9C11- RESET=0X00) GPIO_PORT2_DIR (0X9C21~0X9C21- RESET=0X00) GPIO_PORT3_DIR (0X9C31~0X9C31- RESET=0X00) | | | GPIO PORT 0,1,2,3 DIRECTION REGISTER |
|--|--------------------|-----|--|
| BIT | NAME | R/W | DESCRIPTION |
| 7:0 | GPIO_PORT_DIR[7:0] | R/W | GPIO Direction: Controls the output enable of the pad, when the GPIO_AUX_PORT_EN bit is 0. 0 : In, the input state is controlled by the GPIO_IN_EN bits 1 : Out The GPIO_PORT3_DIR register is read only, and is always 0. |

TABLE 12-7: GPIO PORT 0,1,2,3 IN REGISTER

| GPIO_PORT0_IN (0X9C02~9C02- RESET=0X00) GPIO_PORT1_IN (0X9C12~9C12- RESET=0X00) GPIO_PORT2_IN (0X9C22~9C22- RESET=0X00) GPIO_PORT3_IN (0X9C32~9C32- RESET=0X00) | | | GPIO PORT 0,1,2,3 IN REGISTER |
|--|--------------|-----|-------------------------------|
| BIT | NAME | R/W | DESCRIPTION |
| 7:0 | GPIO_IN[7:0] | R/W | GPIO Pad Input Buffer Data |

TABLE 12-8: GPIO PORT 0,1,2,3 OUTPUT REGISTER

| GPIO_PORT0_OUT (0X9C03~0X9C03- RESET=0X00) GPIO_PORT1_OUT (0X9C13~0X9C13- RESET=0X00) GPIO_PORT2_OUT (0X9C23~0X9C23- RESET=0X00) GPIO_PORT3_OUT (0X9C33~0X9C33- RESET=0X00) | | | GPIO PORT 0,1,2,3 OUT REGISTER |
|--|----------|-----|---|
| BIT | NAME | R/W | DESCRIPTION |
| 7:0 | GPIO_OUT | R/W | GPIO Pad Output Buffer Data when GPIO_PORT0_OE.GPIO_OE is enabled. If the pad is configured as an input, then this register bit acts as a GPIO interrupt polarity register. 0 : GPIO input changes to 0 (level) or falling edge generates an interrupt. 1 : GPIO input changes to 1(level) or rising edge generates an interrupt. The GPIO_PORT3_OUT Register is read only, and is always 0. |

TABLE 12-9: GPIO PORT 0,1,2 PULL UP/DOWN ENABLE REGISTER

| GPIO_PORT0_PUD_EN (0X9C04~0X9C04- RESET= Table 12-21 on page 130) GPIO_PORT1_PUD_EN (0X9C14~0X9C14- RESET= Table 12-21 on page 130) GPIO_PORT2_PUD_EN (0X9C24~0X9C24- RESET= Table 12-21 on page 130) GPIO_PORT2_PUD_EN (0X9C34~0X9C34- RESET= Table 12-21 on page 130) | | | GPIO PORT 0,1,2,3 PULL UP/DOWN ENABLE REGISTER |
|--|------------------|-----|---|
| BIT | NAME | R/W | DESCRIPTION |
| 7:0 | GPIO_PUD_EN[7:0] | R/W | 0 : Disables the pull-up/down resistor on the GPIO pad. 1 : Enables the pull-up/down resistor on the GPIO pad. |

The pull-up/down resistor control to the Auxiliary ports are enabled for a GPIO bit only if the corresponding bit in the GPIO_PORTx_PUD_EN Register is zero.

An internal peripheral using Auxiliary ports can ensure that the pin is pulled-up or pulled-low, when it is not driven, by enabling the corresponding bit in these registers.

SEC1110/SEC1210

TABLE 12-10: GPIO PORT 0,1,2,3 DEBOUNCE COUNT REGISTER

| GPIO_PORT0_DEBOUNCE_CNT (0X9C05~0X09C05- RESET=0X00) GPIO_PORT0_DEBOUNCE_CNT (0X9C15~0X09C15- RESET=0X00) GPIO_PORT0_DEBOUNCE_CNT (0X9C25~0X09C25- RESET=0X00) GPIO_PORT3_DEBOUNCE_CNT (0X9C35~0X09C35- RESET=0X00) | | | GPIO PORT 0,1,2,3 DEBOUNCE COUNT REGISTER |
|--|------------------------|-----|---|
| BIT | NAME | R/W | DESCRIPTION |
| 7:0 | GPIO_DEBOUNCE_CNT[7:0] | R/W | This field indicates the number of debounce clocks (1 ms or 0.01 ms) to wait after any change in a GPIO pad, to ensure the pad has not changed its value. The count restarts after every change of GPIO pad, when enabled. The GPIO_PORT3_DEBOUNCE_CNT Register is read only, and is always 0. A register value of 0, behaves as value 1. |

The SEC1110 and SEC1210 GPIO_PORT3 does not have a debounce count register.

TABLE 12-11: GPIO AUXILIARY PORT 0,1,2,3 SELECT A/B REGISTER

| GPIO_AUX_PORT0_SEL (0X9C06~0X9C06 - RESET= Table 12-21 on page 130) GPIO_AUX_PORT1_SEL (0X9C16~0X9C16 - RESET= Table 12-21 on page 130) GPIO_AUX_PORT2_SEL (0X9C26~0X9C26 - RESET= Table 12-21 on page 130) GPIO_AUX_PORT3_SEL (0X9C36~0X9C36 - RESET= Table 12-21 on page 130) | | | GPIO AUXILIARY PORT 0,1,2,3 A/B SELECT REGISTER |
|--|------------------------|-----|--|
| BIT | NAME | R/W | DESCRIPTION |
| 7:0 | GPIO_AUX_PORT_SEL[7:0] | R/W | GPIO Auxiliary Port A/B Select. 0 : Pads controlled by Auxiliary Port A 1 : Pads controlled by Auxiliary Port B. The GPIO_AUX_PORT3_SEL Register is read only, and is always 0. |

TABLE 12-12: GPIO PORT 0,1,2,3 INTERRUPT ENABLE REGISTER

| GPIO_PORT0_INT_EN (0X9C07~0X9C07 - RESET=0X00) GPIO_PORT1_INT_EN (0X9C17~0X9C17 - RESET=0X00) GPIO_PORT2_INT_EN (0X9C27~0X9C27 - RESET=0X00) GPIO_PORT3_INT_EN (0X9C37~0X9C37 - RESET=0X00) | | | GPIO PORT 0,1,2,3 INTERRUPT ENABLE REGISTER |
|--|-----------------------|-----|---|
| BIT | NAME | R/W | DESCRIPTION |
| 7:0 | GPIO_PORT_INT_EN[7:0] | R/W | GPIO Interrupt Enable Register The corresponding GPIO_PORT_IN_EN bit must be enabled for the pad inputs to be seen. 0 : Interrupts from this GPIO pad is disabled 1 : Interrupts from this GPIO pad is enabled The GPIO_PORT3_INT_EN Register is read only, and is always 0. |

TABLE 12-13: GPIO PORT 0,1,2,3 PULL UP/DOWN SELECT REGISTER

| GPIO_PORT0_PUD (0X9C08~0X09C08- RESET=Table 12-21 on page 130) GPIO_PORT1_PUD (0X9C18~0X09C18- RESET=Table 12-21 on page 130) GPIO_PORT2_PUD (0X9C28~0X09C28- RESET=Table 12-21 on page 130) GPIO_PORT3_PUD (0X9C38~0X09C38- RESET=Table 12-21 on page 130) | | | GPIO PORT 0,1,2,3 PULL UP/DOWN SELECT REGISTER |
|--|---------------|-----|--|
| BIT | NAME | R/W | DESCRIPTION |
| 7:0 | GPIO_PUD[7:0] | R/W | 0 : Selects pull-down resistor on the GPIO pad. 1 : Selects pull-up resistor on the GPIO pad. The corresponding GPIO_PUD_EN bit must be enabled for pull-up or pull-down resistor to be active. Note: Both the pull-up and pull-down resistors to the pads are never active at the same time. |

For GPIO PORT4, in auxiliary A mode (keyboard mode), the input enable, pull-up/pull-down enable values of the pad are controlled by the GPIO register values, since the keyboard block does not control these values. Hence, before enabling auxiliary port 4, the appropriate values have to be programmed for the above mentioned registers based on the keyboard configuration.

SEC1110/SEC1210

TABLE 12-14: GPIO PORT 0,1,2,3 OUTPUT ENABLE REGISTER

| GPIO_PORT0_OE (0X9C09~0X09C09- RESET=0X00) GPIO_PORT1_OE (0X9C19~0X09C19- RESET=0X00) GPIO_PORT2_OE (0X9C29~0X09C29- RESET=0X00) GPIO_PORT3_OE (0X9C39~0X09C39- RESET=0X00) | | | GPIO PORT 0,1,2,3 OUTPUT ENABLE REGISTER |
|--|--------------|-----|---|
| BIT | NAME | R/W | DESCRIPTION |
| 7:0 | GPIO_OE[7:0] | R/W | The GPIO Output Enable to pad, when GPIO_AUX_PORTx_EN bit is 0. 0 : GPIO pad is tri-stated 1 : GPIO pad is driven The GPIO_PORT3_OE Register is read only, and is always 0. |

TABLE 12-15: GPIO PORT 0,1,2,3 INPUT TYPE REGISTER

| GPIO_PORT0_INTYPE (0X9C0A~0X09C0A- RESET=0X00) GPIO_PORT1_INTYPE (0X9C1A~0X09C1A- RESET=0X00) GPIO_PORT2_INTYPE (0X9C2A~0X09C2A- RESET=0X00) GPIO_PORT3_INTYPE (0X9C3A~0X09C3A- RESET=0X00) | | | GPIO PORT 0,1,2,3 INPUT TYPE REGISTER |
|--|------------------|-----|---|
| BIT | NAME | R/W | DESCRIPTION |
| 7:0 | GPIO_INTYPE[7:0] | R/W | GPIO Input Capture Type: 0 : GPIO pad input is double synced on system clock. 1 : GPIO pad is registered on the system clock. If debounce is enabled then register data after debounce time. Else, register state change after double syncing. The GPIO_PORT3_INTYPE Register is read only, and is always 0. |

TABLE 12-16: GPIO PORT 0,1,2,3 INTERRUPT EDGE ENABLE REGISTER

| GPIO_PORT0_INT_EDGE (0X9C0B~0X09C0B- RESET=0X00) GPIO_PORT1_INT_EDGE (0X9C1B~0X09C1B- RESET=0X00) GPIO_PORT2_INT_EDGE (0X9C2B~0X09C2B- RESET=0X00) GPIO_PORT3_INT_EDGE (0X9C3B~0X09C3B- RESET=0X00) | | | GPIO PORT 0,1,2,3 INTERRUPT EDGE REGISTER |
|--|--------------------|-----|---|
| BIT | NAME | R/W | DESCRIPTION |
| 7:0 | GPIO_INT_EDGE[7:0] | R/W | GPIO Interrupt: it is either edge or level triggered. 0 : GPIO pad input is level triggered 1 : GPIO pad input is edge triggered The GPIO_PORT3_INT_EDGE Register is read only, and is always 0. |

TABLE 12-17: GPIO PORT 0,1,2,3 INPUT ENABLE REGISTER

| GPIO_PORT0_IN_EN (0X9C0C~0X9C0C - RESET= Table 12-21 on page 130) GPIO_PORT1_IN_EN (0X9C1C~0X9C1C - RESET= Table 12-21 on page 130) GPIO_PORT2_IN_EN (0X9C2C~0X9C2C - RESET= Table 12-21 on page 130) GPIO_PORT3_IN_EN (0X9C3C~0X9C3C - RESET= Table 12-21 on page 130) | | | GPIO PORT 0,1,2,3 INPUT ENABLE REGISTER |
|--|-----------------|-----|---|
| BIT | NAME | R/W | DESCRIPTION |
| 7:0 | GPIO_IN_EN[7:0] | R/W | GPIO Input Enable register enables the pad input. If this bit is disabled, then the input value seen is default 0. 0 : Inputs from this GPIO pad are disabled 1 : Inputs from this GPIO pad are enabled |

TABLE 12-18: GPIO PORT 0,1,2,3 INTERRUPT STATUS REGISTER

| GPIO_PORT0_INT_STS (0X9C0D~0X09C0D- RESET=0X00) GPIO_PORT1_INT_STS (0X9C1D~0X09C1D- RESET=0X00) GPIO_PORT2_INT_STS (0X9C2D~0X09C2D- RESET=0X00) GPIO_PORT3_INT_STS (0X9C3D~0X09C3D- RESET=0X00) | | | GPIO INTERRUPT STATUS REGISTER |
|--|-------------------|------|--|
| BIT | NAME | R/W | DESCRIPTION |
| 7:0 | GPIO_INT_STS[7:0] | R/W1 | GPIO Interrupt Polarity Register: 0 : If a bit is reset, then no interrupt event occurred for this GPIO pad input. 1 : If a bit is set, then an interrupt event occurred for this GPIO pad input. Write 1 to clear this interrupt bit. The GPIO_PORT3_INT_STS Register is read only, and is always 0. |

Writing a 1 to a bit clears the bit and enables the detection of the next level transition. If enabled in the GPIO_PORTx_INT_EN Register, a 1 in corresponding bit in this register will force a 1 on the 8051 core's external INT1 interrupt input.

TABLE 12-19: GPIO PORT 0,1,2,3 PULL UP STRENGTH REGISTER

| GPIO_PORT0_PUS (0X9C0E~0X9C0E- RESET=0X00) GPIO_PORT1_PUS (0X9C1E~0X9C1E- RESET=0X00) GPIO_PORT2_PUS (0X9C2E~0X9C2E- RESET=0X00) GPIO_PORT3_PUS (0X9C3E~0X9C3E- RESET=0X00) | | | GPIO PORT 0,1,2,3 PULL UP/DOWN ENABLE REGISTER |
|--|-----------|-----|--|
| BIT | NAME | R/W | DESCRIPTION |
| 7:1 | Reserved | R | Always read as 0 |
| 0 | GPIO_PUS0 | R/W | 0 : Weak pull-up resistor on the GPIO pad 1 : Strong pull-up resistor on the GPIO pad |

The GPIO pull-up resistor strength is programmable only for the **SC1_IO (GPIO0)** and **SC2_IO (GPIO16)** pads. An internal weak pull-up of 20 kΩ or 11 kΩ may be used. The register bits for other GPIOs are read only as 0.

SEC1110/SEC1210

TABLE 12-20: GPIO PORT 0,1,2,3 DEBOUNCE ENABLE REGISTER

| GPIO_PORT0_DEBOUNCE_EN (0X9C0F~0X09CFD- RESET=0X00) GPIO_PORT1_DEBOUNCE_EN (0X9C1F~0X09C1F- RESET=0X00) GPIO_PORT2_DEBOUNCE_EN (0X9C2F~0X09C2F- RESET=0X00) GPIO_PORT3_DEBOUNCE_EN (0X9C3F~0X09C3F- RESET=0X00) | | | GPIO DEBOUNCE ENABLE REGISTER |
|--|-----------------------|------|---|
| BIT | NAME | R/W | DESCRIPTION |
| 7:0 | GPIO_DEBOUNCE_EN[7:0] | R/W1 | GPIO Input Data Debounce Enable: 0 : Debouncing on this input is disabled 1 : Debouncing is enabled on this input The GPIO_PORT3_DEBOUNCE_EN Register is read only, and is always 0. |

The debounce register bit must be disabled if operating in Auxiliary Port Mode, and debouncing is not required. Therefore, an internal peripheral is required to directly control the GPIO pad. The debounce clock is gated off when oscillator is in Sleep Mode.

The Debounce Register is valid only for the following pads:

- GPIO6/SC1_PRSNT_N
- GPIO19/SC2_PRSNT_N
- GPIO21/JTAG_CLK
- GPIO8/RXD
- GPIO9/TXD
- GPIO10/CTS
- GPIO11/RTS

Note: The other bits are read only as zero.

TABLE 12-21: POWER ON RESET STATE OF GPIO REGISTERS

| GPIO# | RESET STATE OF REGISTERS | | | | | COMMENT |
|--------|---------------------------|-------------------|---------------------------|---------------------------|----------|---------------|
| | GPIO_AUX_POR_T_EN | GPIO_AUX_PORT_SEL | GPIO_PORT_IN_EN | GPIO_PUD_EN | GPIO_PUD | |
| GPIO0 | 0 | 0 | 0 | 0 | 0 | I/O disabled. |
| GPIO1 | 0 | 0 | 0 | 0 | 0 | I/O disabled. |
| GPIO2 | 0 | 0 | 0 | 0 | 0 | I/O disabled. |
| GPIO3 | 0 | 0 | 0 | 0 | 0 | I/O disabled. |
| GPIO4 | 0 | 0 | 0 | 0 | 0 | I/O disabled. |
| GPIO5 | ICFG_DEBUG & JTAG_CLK_LAT | 1 | 0 | ICFG_DEBUG & JTAG_CLK_LAT | 1 | JTAG_TDO |
| GPIO6 | ICFG_DEBUG & JTAG_CLK_LAT | 1 | ICFG_DEBUG & JTAG_CLK_LAT | ICFG_DEBUG & JTAG_CLK_LAT | 1 | JTAG_TMS |
| GPIO7 | 0 | 0 | 0 | 0 | 0 | Reserved |
| GPIO8 | 0 | 0 | 0 | 0 | 0 | I/O disabled. |
| GPIO9 | 0 | 0 | 0 | 0 | 0 | I/O disabled. |
| GPIO10 | 0 | 0 | 0 | 0 | 0 | I/O disabled. |
| GPIO11 | 0 | 0 | 0 | 0 | 0 | I/O disabled. |

TABLE 12-21: POWER ON RESET STATE OF GPIO REGISTERS (CONTINUED)

| GPIO# | RESET STATE OF REGISTERS | | | | | COMMENT |
|--------|---------------------------|-------------------|--|---------------------------|----------|----------------------------|
| | GPIO_AUX_POR_T_EN | GPIO_AUX_PORT_SEL | GPIO_PORT_IN_EN | GPIO_PUD_EN | GPIO_PUD | |
| GPIO12 | EXT_SPI_EN | 0 | 0 | 0 | 0 | SPI2_MI |
| GPIO13 | EXT_SPI_EN | 0 | 0 | 0 | 0 | SPI2_MO |
| GPIO14 | EXT_SPI_EN | 0 | 0 | 0 | 0 | SPI2_CLK |
| GPIO15 | EXT_SPI_EN | 0 | | EXT_SPI_EN | 1 | SPI2_CE |
| GPIO16 | 0 | 0 | 0 | 0 | 0 | I/O disabled. |
| GPIO17 | 0 | 0 | 0 | 0 | 0 | I/O disabled. |
| GPIO18 | 0 | 0 | 0 | 0 | 0 | I/O disabled. |
| GPIO19 | !CFG_DEBUG & JTAG_CLK_LAT | 0 | !CFG_DEBUG & JTAG_CLK_LAT | !CFG_DEBUG & JTAG_CLK_LAT | 1 | JTAG_TDI |
| GPIO20 | 1 | 0 | 1: A1 version CFG_DEBUG : later versions | 1 | 0 | CLK_ENABLE |
| GPIO21 | JTAG_CLK_LAT | 0 | 1 | 1 | 0 | JTAG_CLK |
| GPIO22 | 1 | 0 | 1 | 1 | 0 | TEST/ EXT_OSC_48 MHZ |
| GPIO23 | 0 | 0 | 1: A1 version CFG_DEBUG : later versions | 1 | 0 | PCLK_IN_48M HZ |
| GPIO24 | 0 | 0 | 1 | 1 | 1 | BOND0 |
| GPIO25 | 0 | 0 | 1 | 1 | 1 | BOND1 |
| GPIO26 | 0 | 0 | 1 | 1 | 1 | BOND2 |
| GPIO27 | 0 | 0 | 1 | 1 | 1 | BOND3/JTAG_ TRSTN |
| GPIO28 | 0 | 0 | 1: A1 version CFG_DEBUG & JTAG_CLK_LAT : later versions | CFG_DEBUG | 1 | PJTAG_TMS |
| GPIO29 | 0 | 0 | 1: A1 version CFG_DEBUG & JTAG_CLK_LAT : later versions | CFG_DEBUG | 1 | PJTAG_TDI |
| GPIO30 | 0 | 0 | 0: A1 version CFG_DEBUG & JTAG_CLK_LAT : later versions | CFG_DEBUG | 1 | PJTAG_TDO |
| GPIO31 | 0 | 0 | 0 | 0 | 0 | Reserved |

12.4.1 GPIO WAKE-UP EVENT

The GPIO can be programmed as input with interrupt enabled, and a change in the pads can be detected to wake up the CPU from SLEEP/IDLE states or wake up the oscillator. Refer to [Table 15-14, "Wake on Event Register,"](#) on [page 161](#).

SEC1110/SEC1210

13.0 TWO PIN SERIAL PORT (UART)

The SEC1110 and SEC1210 incorporates full function UARTs. The UART is software compatible with the 16C450 and 16C550A. The UART performs serial-to-parallel conversion on received characters and parallel-to-serial conversion on transmit characters. The character options are programmable for 1 start; 1, 1.5 or 2 stop bits; even, odd, sticky or no parity; and prioritized interrupts. The UART contains a programmable baud rate generator that is capable of dividing the input clock or crystal by a number from 1 to 65535. The UART is accessible on the EC_SPB.

- Programmable word length (5 to 8), stop bits (1, 1.5, 2) and parity (even, odd, sticky or no parity)
- Programmable baud rate generator
- Interrupt generator
- Loop-Back Mode
- Interface registers
- 16-byte Transmit FIFO
- 16-byte Receive FIFO
- Multiple clock sources
- Pin polarity control
- Low Power Sleep Mode

13.1 Transmit Operation

The SEC1110 and SEC1210 do not support external connections for the MODEM control inputs (nDSR, nRI and nDCD) or for the MODEM control outputs (nDTR, OUT1 and OUT2).

Transmission is initiated by writing the data to be sent to the TX Holding Register or to the TX FIFO (if enabled). The data is then transferred to the TX Shift Register together with a start bit and parity and stop bits as determined by settings in the Line Control Register. The bits to be transmitted are then shifted out of the TX Shift Register in the order start bit, data bits (LSB first), parity bit, and stop bit, using the output from the Baud Rate Generator (divided by 16) as the clock.

If enabled, a TX Holding Register Empty Interrupt will be generated when the TX Holding Register or the TX FIFO (if enabled) becomes empty.

When FIFOs are enabled (i.e., bit 0 of the FIFO Control Register is set), the M16550S can store up to 16 bytes of data for transmission at a time. Transmission will continue until the TX FIFO is empty. The FIFO's readiness to accept more data is indicated by an interrupt.

13.2 Receive Operation

Data is sampled into the RX Shift Register using the Receive clock, divided by 16. The Receive clock is provided by the Baud Rate Generator. A filter is used to remove spurious inputs that last for less than two periods of the Receive clock. When the complete word has been clocked into the Receiver, the data bits are transferred to the RX Buffer Register or to the RX FIFO (if enabled) to be read by the CPU. (The first bit of the data to be received is placed in bit 0 of this register.) The Receiver also checks that the parity bit and stop bits are as specified by the Line Control Register.

If enabled, an RX Data Received Interrupt will be generated when the data has been transferred to the RX Buffer Register or, if FIFOs are enabled, when the RX Trigger Level has been reached. Interrupts can also be generated to signal a RX FIFO character timeout, incorrect parity, a missing stop bit (frame error) or other line status errors.

When FIFOs are enabled (i.e., bit 0 of the FIFO Control Register is set), the M16550S can store up to 16 bytes of received data at a time. Depending on the selected RX Trigger Level, the interrupt will go active to indicate that data is available when the RX FIFO contains 1, 4, 8 or 14 bytes of data.

13.3 Power, Clocks and Reset

13.3.1 POWER

This block is only active if `UART_CLK_DIV.UART_CLK_EN` is set to 1, otherwise this block is disabled and the clocks are shut off.

13.3.2 CLOCKS

The `UART_CLK` is sourced from the 48 MHz oscillator clock divided by `UART_CLK_DIV` as explained in [15.4.8 UART Clock Register on page 157](#).

13.3.3 RESET

Table 13-1 details the effect of a RESET event on each of the runtime registers of the Serial Port.

TABLE 13-1: RESET FUNCTION TABLE

| REGISTER/SIGNAL | RESET CONTROL | RESET STATE |
|-------------------------------|---------------------------|---|
| Interrupt Enable Register | RESET | All bits low |
| Interrupt Identification Reg. | | Bit 0 is high; bits 1 - 7 low |
| FIFO Control | | All bits low |
| Line Control Reg. | | |
| MODEM Control Reg. | | |
| Line Status Reg. | | All bits low except bits 5 and 6 are high |
| MODEM Status Reg. | | Bits 0 - 3 low; bits 4 - 7 input |
| TXD1, TXD2 | | High |
| INTRPT (RCVR errs) | RESET/Read LSR | Low |
| INTRPT (RCVR Data Ready) | RESET/Read RBR | |
| INTRPT (THRE) | RESET/Read IIR/Write THR | |
| OUT2B | RESET | High |
| RTSB | | |
| DTRB | | |
| OUT1B | | |
| RCVR FIFO | RESET/ FCR1*FCR0/_FCR0 | All bits low |
| XMIT FIFO | RESET/ FCR1*FCR0/_FCR0 | |

13.4 Interrupts

The Runtime registers are reset on a RESET event. Refer to [Section 15.1, "Reset," on page 151](#) definitions of RESET event.

The two-pin Serial Port (UART) can generate an interrupt event. The interrupt source (INTR) is a level, active high signal.

13.5 Registers

Table 13-3 is a register summary for one instance of the two-pin Serial Port (UART). Each EC address is indicated as an offset address from the XDATA base address 0x9500. Table 13-2 summarizes the registers allocated for the controller.

TABLE 13-2: TWO PIN SERIAL PORT (UART) REGISTER SUMMARY

| REGISTER NAME | DLAB (Note 13-1) | XDATAOFFSET ADDRESS | EC TYPE |
|--|---------------------|------------------------|---------|
| Receive Buffer Register (RB) | 0 | 0x00 | R |
| Transmit Buffer Register (TB) | 0 | 0x00 | W |
| Programmable Baud Rate Generator (and Divisor) | 1 | 0x00 | R/W |
| Programmable Baud Rate Generator (and Divisor) | 1 | 0x01 | R/W |
| Interrupt Enable Register (IER) | 0 | 0x01 | R/W |
| FIFO Control Register (FCR), | X | 0x02 | W |
| Interrupt Identification Register (IIR) | X | 0x02 | R |
| Line Control Register (LCR) | X | 0x03 | R/W |

SEC1110/SEC1210

TABLE 13-2: TWO PIN SERIAL PORT (UART) REGISTER SUMMARY (CONTINUED)

| REGISTER NAME | DLAB (Note 13-1) | XDATAOFFSET ADDRESS | EC TYPE |
|------------------------------------|---------------------|------------------------|---------|
| Modem Control Register (MCR) | X | 0x04 | R/W |
| Line Status Register (LSR) | X | 0x05 | R |
| Modem Status Register (MSR) | X | 0x06 | R |
| Scratchpad Register (SCR) | X | 0x07 | R/W |
| UART_Configuration Select Register | X | 0x30 | R/W |
| UART_Configuration Active Register | X | 0x31 | R/W |

Note 13-1 DLAB is bit 7 of the Line Control Register

13.6 Register Summary

TABLE 13-3: REGISTER SUMMARY

| ADDRESS (Note 13-2) | R/W | REGISTER NAME | BIT 7 | BIT 6 | BIT 5 | BIT 4 | BIT 3 | BIT 2 | BIT 1 | BIT 0 |
|------------------------|-----|-----------------------|-----------------------------------|---|-------------------------------------|--------------------------|--------------------------------------|--|--|--|
| ADDR = 0 DLAB = 0 | R | Receive Buffer r | Data Bit 7 | Data Bit 6 | Data Bit 5 | Data Bit 4 | Data Bit 3 | Data Bit 2 | Data Bit 1 | Data Bit 0 (Note 13-3) |
| ADDR = 0 DLAB = 0 | W | Transmitter Holding r | Data Bit 7 | Data Bit 6 | Data Bit 5 | Data Bit 4 | Data Bit 3 | Data Bit 2 | Data Bit 1 | Data Bit 0 |
| ADDR = 1 DLAB = 0 | R/W | Interrupt Enable r | Reserved | | | | Enable Modem Status Interrupt (EMSI) | Enable Receiver Line Status Interrupt (ELSI) | Enable Transmitter Holding Register Empty Interrupt (ETHREI) | Enable Received Data Available Interrupt (ERDAI) |
| ADDR = 2 | R | Interrupt Ident. r | FIFOs Enabled (Note 13-7) | FIFOs Enabled (Note 13-7) | Reserved | | Interrupt ID Bit (Note 13-7) | Interrupt ID Bit | Interrupt ID Bit | "0" if interrupt pending |
| ADDR = 2 | W | FIFO Control r | RCVR Trigger MSB | RCVR Trigger LSB | Reserved | | DMA Mode Select (Note 13-8) | XMIT FIFO Reset | RCVR FIFO Reset | FIFO Enable |
| ADDR = 3 | R/W | Line Control r | Divisor Latch Access Bit (DLAB) | Set Break | Stick Parity | Even Parity Select (EPS) | Parity Enable (PEN) | Number of Stop Bits (STB) | Word Length Select Bit 1 (WLS1) | Word Length Select Bit 0 (WLS0) |
| ADDR = 4 | R/W | MODEM Control r | Reserved | | | Loop | OUT2 (Note 13-5) | OUT1 (Note 13-5) | Request to Send (RTS) | Data Terminal Ready (DTR) |
| ADDR = 5 | R/W | Line Status r | Error in RCVR FIFO (Note 13-7) | Transmitter Empty (TEMT) (Note 13-4) | Transmitter Holding Register (THRE) | Break Interrupt (BI) | Framing Error (FE) | Parity Error (PE) | Overrun Error (OE) | Data Ready (DR) |
| ADDR = 6 | R/W | MODEM Status r | Data Carrier Detect (DCD) | Ring Indicator (RI) | Data Set Ready (DSR) | Clear to Send (CTS) | Delta Data Carrier Detect (DDCD) | Trailing Edge Ring Indicator (TERI) | Delta Data Set Ready (DDSR) | Delta Clear to Send (DCTS) |
| ADDR = 7 | R/W | Scratch r (Note 13-6) | Bit7 | Bit6 | Bit5 | Bit4 | Bit3 | Bit2 | Bit1 | Bit0 |
| ADDR = 0 DLAB = 1 | R/W | Divisor Latch (LS) | Bit7 | Bit6 | Bit5 | Bit4 | Bit3 | Bit2 | Bit1 | Bit0 |
| ADDR = 1 DLAB = 1 | R/W | Divisor Latch (MS) | Bit15 | Bit14 | Bit13 | Bit12 | Bit11 | Bit10 | Bit9 | Bit8 |

Note 13-2 DLAB is bit 7 of the Line Control Register (ADDR = 3).

Note 13-3 Bit 0 is the least significant bit, and is the first bit serially transmitted or received.

Note 13-4 When operating in the XT Mode, this bit will be set any time that the Transmitter Shift Register is empty.

Note 13-5 This bit no longer has a pin associated with it.

Note 13-6 When operating in the XT Mode, this register is not available.

Note 13-7 These bits are always zero in the Non-FIFO Mode.

Note 13-8 Writing a one to this bit has effect. DMA modes are supported in this chip.

13.7 Detailed Description of Accessible Runtime Registers

13.7.1 RECEIVE BUFFER REGISTER (RB)

| UART_RX_DATA (DLAB=0) (OFFSET 0X00 RESET=0X00) | | | UART RECEIVED DATA |
|---|------|-----|--|
| BIT | NAME | R/W | DESCRIPTION |
| 7:0 | DATA | R | <p>This register holds the received incoming data byte. Bit 0 is the least significant bit, which is transmitted and received first. Received data is double buffered; this uses an additional shift register to receive the serial data stream and convert it to a parallel 8-bit word which is transferred to the Receive Buffer Register. The shift register is not accessible.</p> <p>If enabled via IER0, an RX Buffer Register Interrupt is generated when the buffer contains data to read. If the FIFOs are disabled, this register is undefined after reset. If the FIFOs are enabled, this register will return zero after a reset, if the RX FIFO is empty.</p> |

13.7.2 TRANSMIT BUFFER REGISTER (TB)

| UART_TX_DATA (DLAB=0) (OFFSET 0X00 RESET=0X00) | | | UART TRANSMIT DATA |
|---|---------|-----|---|
| BIT | NAME | R/W | DESCRIPTION |
| 7:0 | TX_DATA | W | <p>This register contains the data byte to be transmitted. The transmit buffer/TX Holding Register is double buffered, utilizing an additional shift register (not accessible) to convert the 8-bit data word to a serial format. This shift register is loaded from the Transmit Buffer when the transmission of the previous byte is complete, and transmission is bit 0 first.</p> |

13.7.3 INTERRUPT ENABLE REGISTER (IER)

The lower four bits of this register control the enables of the five interrupt sources of the Serial Port Interrupt. It is possible to totally disable the interrupt system by resetting bits 0 through 3 of this register. Similarly, setting the appropriate bits of this register to a high, selected interrupts can be enabled. Disabling the interrupt system inhibits the Interrupt Identification Register and disables any Serial Port Interrupt out of the SEC1110 and SEC1210. All other system functions operate in their normal manner, including the Line Status and MODEM Status registers. The contents of the Interrupt Enable Register are described below.

| UART_INTERRUPT_EN (DLAB=0) (OFFSET 0X01 RESET=0X00) | | | UART INTERRUPT ENABLE |
|--|----------|-----|--|
| BIT | NAME | R/W | DESCRIPTION |
| 7:4 | Reserved | R | Always read as 0 |
| 3 | EMSI | R/W | This bit enables the MODEM Status Interrupt when set to logic 1. This is caused when one of the Modem Status register bits DDCD , TERI , DDSR or DCTS (MSR[3:0]) changes state. |
| 2 | ELSI | R/W | This bit enables the Received Line Status Interrupt when set to logic 1. The error sources causing the interrupt are overrun, parity, framing, and break (LSR[4:1]). The Line Status Register must be read to determine the source. |

SEC1110/SEC1210

| UART_INTERRUPT_EN (DLAB=0) (OFFSET 0X01 RESET=0X00) | | | UART INTERRUPT ENABLE |
|--|--------|-----|---|
| BIT | NAME | R/W | DESCRIPTION |
| 1 | ETHREI | R/W | This bit enables the Transmitter Holding Register or the TX FIFO becomes empty (i.e., LSA5 becomes set). |
| 0 | ERDAI | R/W | This bit enables the Received Data Available Interrupt (i.e., LSR.0 becomes set) or, if FIFOs are enabled, the RX Trigger Level is reached. If the FIFOs are enabled, setting this bit also enabled the RX FIFO Character Timeout Interrupt. |

13.7.4 FIFO CONTROL REGISTER (FCR)

| UART_FIFO_CTL (DLAB=X) (OFFSET 0X02 RESET=0X00) | | | UART FIFO CONTROL REGISTER |
|--|----------------|-----|--|
| BIT | NAME | R/W | DESCRIPTION |
| 7:6 | RECV_FIFO_TRIG | R | These bits are used to set the trigger level for the RCVR FIFO Interrupt Value (trigger level): 00 : 1 Bytes 01 : 4 Bytes 10 : 8 Bytes 11 : 14 Bytes |
| 5:4 | Reserved | R/W | Always read as 0 |
| 3 | DMA_MODE_SEL | R/W | This bit, if set, enables DMA Mode for RX and TX. Two of the unused USB endpoints must be configured for RX and TX, and PERIPHERAL bits set appropriately as indicated in Section 11.16, "Endpoints 1-5 Buffer Registers," on page 111. |
| 2 | CLR_XMIT_FIFO | W | Setting this bit to a logic 1 clears all bytes in the XMIT FIFO and resets its counter logic to 0. The shift register is not cleared. However, this bit is self-clearing |
| 1 | CLR_RCV_FIFO | W | Setting this bit to a logic 1 clears all bytes in the RCVR FIFO and resets its counter logic to 0. The shift register is not cleared. However, this bit is self-clearing. |
| 0 | EXRF | W | Enable XMIT and RECV FIFO. Setting this bit to a logic 1 enables both the XMIT and RCVR FIFOs. Clearing this bit to a logic 0 disables both the XMIT and RCVR FIFOs and clears all bytes from both FIFOs. When changing from FIFO Mode to Non-FIFO (16450) Mode, data is automatically cleared from the FIFOs. This bit must be a 1 when other bits in this register are written to or they will not be properly programmed. |

Note: This is a write only register at the same location as the IIR.

13.7.5 INTERRUPT IDENTIFICATION REGISTER (IIR)

| UART_INT_ID (DLAB=X) (OFFSET 0X02 RESET=0X01) | | | UART INTERRUPT IDENTIFICATION REGISTER |
|--|----------|-----|--|
| BIT | NAME | R/W | DESCRIPTION |
| 7:6 | FIFO_EN | R | These two bits are set when the FIFO CONTROL Register bit 0 equals 1 |
| 5:4 | Reserved | R | Always read as 0 |

| UART_INT_ID (DLAB=X) (OFFSET 0X02 RESET=0X01) | | | UART INTERRUPT IDENTIFICATION REGISTER |
|--|-------|-----|--|
| BIT | NAME | R/W | DESCRIPTION |
| 3:1 | INTLD | R | These three bits of the IIR are used to identify the highest priority interrupt pending as indicated by Table 13-4, "Interrupt Control Table" . In Non-FIFO Mode, bit 3 is a logic 0. In FIFO Mode, bit 3 is set along with bit 2 when a timeout interrupt is pending. |
| 0 | IPEND | R | This bit can be used in either a hardwired prioritized or polled environment to indicate whether an interrupt is pending. When bit 0 is a logic 0, an interrupt is pending and the contents of the IIR may be used as a pointer to the appropriate internal service routine. When bit 0 is a logic 1, no interrupt is pending. |

By accessing this register, the CPU can determine the highest priority interrupt and its source. Four levels of priority interrupt exist. They are in descending order of priority as follows:

1. Receiver Line Status (highest priority)
2. Received Data Ready
3. Transmitter Holding Register Empty
4. MODEM Status (lowest priority)

Information indicating that a prioritized interrupt is pending and the source of that interrupt is stored in the Interrupt Identification Register ([Table 13-4](#)). When the CPU accesses the IIR, the Serial Port freezes all interrupts and indicates the highest priority pending interrupt to the CPU. During this CPU access, even if the Serial Port records new interrupts, the current indication does not change until access is completed. The contents of the IIR are described below.

TABLE 13-4: INTERRUPT CONTROL TABLE

| FIFO MODE ONLY | INTERRUPT IDENTIFICATION REGISTER | | | INTERRUPT SET AND RESET FUNCTIONS | | | | |
|----------------|-----------------------------------|-------|-------|-----------------------------------|----------------|------------------------------------|---|---|
| | BIT 3 | BIT 2 | BIT 1 | BIT 0 | PRIORITY LEVEL | INTERRUPT TYPE | INTERRUPT SOURCE | INTERRUPT RESET CONTROL |
| 0 | 0 | 0 | 0 | 1 | - | None | None | - |
| | 1 | 1 | 1 | 0 | Highest | Receiver Line Status | Overrun Error, Parity Error, Framing Error or Break Interrupt | Reading the Line Status Register |
| 1 | 0 | 0 | 0 | 0 | Second | Received Data Available | Receiver Data Available or RX Trigger Level reached | Read Receiver Buffer or the RX FIFO drops below the trigger level. |
| | | | | | | Character Timeout Indication | No characters have been removed from or input to the RCVR FIFO during the last 4 char times and there is at least 1 char in it during this time | Reading the Receiver Buffer Register |
| 0 | 0 | 0 | 0 | 0 | Third | Transmitter Holding Register Empty | Transmitter Holding Register Empty | Reading the IIR Register (if source of interrupt) or writing the Transmitter Holding Register or TX FIFO (if enabled) |
| | | | | | | MODEM Status | Clear to Send or Data Set Ready or Ring Indicator or Data Carrier Detect | Reading the MODEM Status Register |

SEC1110/SEC1210

13.7.6 LINE CONTROL REGISTER (LCR)

This register contains the format information of the serial line.

| UART_LINE_CTL (DLAB=X) (OFFSET 0X03 RESET=0X01) | | | UART LINE CONTROL REGISTER |
|--|--------------|-----|---|
| BIT | NAME | R/W | DESCRIPTION |
| 7 | DLAB | R/W | <p>Divisor Latch Access Bit (DLAB):</p> <p>This bit must be set to logic 1 to access the Divisor Latches of the Baud Rate Generator during read or write operations. It must be set to logic 0 to access the Receiver Buffer Register, the Transmitter Holding Register, or the Interrupt Enable Register.</p> |
| 6 | BREAK_CTL | R/W | <p>Set Break Control Bit:</p> <p>When set to logic 1, the transmit data output (TXD) is forced to the spacing or logic 0 state and remains there (until reset by a low level bit 6) regardless of other transmitter activity. This feature enables the Serial Port to alert a terminal in a communications system.</p> |
| 5 | STICK_PARITY | R/W | <p>Stick Parity Bit:</p> <p>When enabled, this bit is used in conjunction with bit 4 to select Mark or Space Parity. When LCR bits 3, 4 and 5 are 1, the parity bit is transmitted and checked as a 0 (Space Parity). If bits 3 and 5 are 1 and bit 4 is a 0, then the parity bit is transmitted and checked as 1 (Mark Parity). If bit 5 is 0 Stick Parity is disabled.</p> <p>If bit 3 is a logic 1 and bit 5 is a logic 1, the parity bit is transmitted and then detected by the Receiver in the opposite state indicated by bit 4.</p> |
| 4 | PARITY_SEL | R/W | <p>Even Parity Select Bit:</p> <p>When bit 3 is a logic 1 and bit 4 is a logic 0, an odd number of logic 1s are transmitted or checked in the data word bits and the parity bit. When bit 3 is a logic 1 and bit 4 is a logic 1 an even number of bits are transmitted and checked.</p> |
| 3 | PARITY_EN | R/W | <p>Parity Enable Bit:</p> <p>When bit 3 is a logic 1, a parity bit is generated (transmit data) or checked (receive data) between the last data word bit and the first stop bit of the serial data. (The parity bit is used to generate an even or odd number of 1s when the data word bits and the parity bit are summed).</p> |
| 2 | STOP_BITS | R/W | <p>This bit specifies the number of stop bits in each transmitted or received serial character. Table 13-5, "Stop Bits" summarizes the information.</p> |
| 1:0 | WORD_LEN | R/W | <p>These two bits specify the number of bits in each transmitted or received serial character. The encoding of bits 0 and 1 is as follows:</p> <p>Value (word length):</p> <p>00 : 5 bits 01 : 6 bits 10 : 7 bits 11 : 8 bits</p> <p>The start, stop and parity bits are not included in the word length</p> |

TABLE 13-5: STOP BITS

| BIT 2 | WORD LENGTH | NUMBER OF STOP BITS |
|-------|-------------|---------------------|
| 0 | -- | 1 |
| 1 | 5 bits | 1.5 |
| | 6 bits | 2 |
| | 7 bits | |
| | 8 bits | |

Note: The Receiver will ignore all stop bits beyond the first, regardless of the number used in transmitting.

13.7.7 MODEM CONTROL REGISTER (MCR)

This 8-bit register controls the interface with the MODEM or data set (or device emulating a MODEM). The contents of the MODEM control register are described below.

| UART_MODEM_CTL (DLAB=X) (OFFSET 0X04 RESET=0X01) | | | UART MODEM CONTROL REGISTER |
|---|----------|-----|--|
| BIT | NAME | R/W | DESCRIPTION |
| 7:5 | Reserved | R | Always read as 0 |
| 4 | LOOPBACK | R/W | <p>This bit provides the loopback feature for diagnostic testing of the Serial Port. When bit 4 is set to logic 1, the following occur:</p> <ol style="list-style-type: none"> 1. The TXD is set to the Marking State (logic 1). 2. The Receiver Serial Input (RXD) is disconnected. 3. The output of the Transmitter Shift Register is looped-back into the Receiver Shift register input. 4. All MODEM control inputs (nCTS, nDSR, nRI and nDCD) are disconnected. 5. The four MODEM control outputs (nDTR, nRTS, OUT1 and OUT2) are internally connected to the four MODEM control inputs (nDSR, nCTS, RI, DCD). 6. The Modem control output pins are forced inactive high. 7. Data that is transmitted is immediately received. <p>This feature allows the processor to verify the transmit and receive data paths of the Serial Port. In the Diagnostic Mode, the Receiver and the Transmitter interrupts are fully operational. The MODEM control interrupts are also operational but the interrupts' sources are now the lower four bits of the MODEM Control Register instead of the MODEM control inputs. The interrupts are still controlled by the Interrupt Enable Register</p> |
| 3 | OUT2 | R/W | <p>Output 2 (OUT2):</p> <p>This bit is used to enable a UART interrupt. When OUT2 is a logic 0, the serial port interrupt output is forced to a high impedance state (disabled). When OUT2 is a logic 1, the serial port interrupt outputs are enabled.</p> |
| 2 | OUT1 | R/W | This bit controls the Output 1 (OUT1) bit. This bit does not have an output pin and can only be read or written by the CPU. |
| 1 | RTS | R/W | This bit controls the Request To Send (nRTS) output. Bit 1 affects the nRTS output in a manner identical to that described above for bit 0. |

SEC1110/SEC1210

| UART_MODEM_CTL (DLAB=X) (OFFSET 0X04 RESET=0X01) | | | UART MODEM CONTROL REGISTER |
|---|------|-----|---|
| BIT | NAME | R/W | DESCRIPTION |
| 0 | DTR | R/W | This bit controls the Data Terminal Ready (nDTR) output. When bit 0 is set to a logic 1, the nDTR output is forced to a logic 0. When bit 0 is a logic 0, the nDTR output is forced to a logic 1. |

13.7.8 LINE STATUS REGISTER (LSR)

| UART_LINE_STAT (DLAB=X) (OFFSET 0X05 RESET=0X60) | | | UART LINE STATUS REGISTER |
|---|-------------|-----|--|
| BIT | NAME | R/W | DESCRIPTION |
| 7 | FIFO_ERROR | R | This bit is permanently set to logic 0 in the 450 Mode. In the FIFO Mode, this bit is set to a logic 1 when there is at least one parity error, framing error, or break indication in the FIFO. This bit is cleared when the LSR is read if there are no subsequent errors in the FIFO. |
| 6 | XMIT_ERROR | R | Transmitter Empty (TEMT): This bit is set to a logic 1 whenever the Transmitter Holding Register (THR) and Transmitter Shift Register (TSR) are both empty. It is reset to logic 0 whenever either the THR or TSR contains a data character. |
| 5 | XMIT_EMPTY | R | Transmitter Holding Register Empty (THRE): This bit indicates that the Serial Port is ready to accept a new character for transmission. In addition, this bit causes the serial port to issue an interrupt when the Transmitter Holding Register interrupt enable is set high. The THRE bit is set to a logic 1 when a character is transferred from the Transmitter Holding Register into the Transmitter Shift Register. The bit is reset to logic 0 whenever the CPU loads the Transmitter Holding Register. In the FIFO Mode this bit is set when the XMIT FIFO is empty, it is cleared when at least 1 byte is written to the XMIT FIFO. |
| 4 | BREAK_INT | R | Break Interrupt (BI): This bit is set to a logic 1 whenever the received data input is held in the Spacing state (logic 0) for longer than a full word transmission time (that is, the total time of the start bit + data bits + parity bits + stop bits). BI is reset after the CPU reads the contents of the Line Status Register. In the FIFO Mode this error is associated with the particular character in the FIFO it applies to. This error is indicated when the associated character is at the top of the FIFO. When break occurs only one zero character is loaded into the FIFO. Restarting after a break is received, requires the serial data (RXD) to be logic 1 for at least 1/2 bit time. Bits 1 through 4 are the error conditions that produce a Receiver Line Status interrupt bit 3. Note: Whenever any of the corresponding conditions are detected and the interrupt is enabled. |
| 3 | FRAME_ERROR | R | Framing Error (FE): This bit indicates that the received character did not have a valid stop bit. Bit 3 is set to a logic 1 whenever the stop bit following the last data bit or parity bit is detected as a zero bit (Spacing level). The FE is reset to a logic 0 whenever the Line Status Register is read. In the FIFO Mode this error is associated with the particular character in the FIFO it applies to. This error is indicated when the associated character is at the top of the FIFO. The Serial Port will try to resynchronize after a framing error. To do this, it assumes that the framing error was due to the next start bit, so it samples this <i>start</i> bit twice and then takes in the <i>data</i> . |

| UART_LINE_STAT (DLAB=X) (OFFSET 0X05 RESET=0X60) | | | UART LINE STATUS REGISTER |
|---|---------------|-----|--|
| BIT | NAME | R/W | DESCRIPTION |
| 2 | PARITY_ERROR | R | Parity Error (PE): This bit indicates that the received data character does not have the correct even or odd parity, as selected by the even parity select bit. The PE is set to a logic 1 upon detection of a parity error and is reset to a logic 0 whenever the Line Status Register is read. In the FIFO Mode this error is associated with the particular character in the FIFO it applies to. This error is indicated when the associated character is at the top of the FIFO. |
| 1 | OVERRUN_ERROR | R | Overrun Error (OE): This bit indicates that data in the Receiver Buffer Register was not read before the next character was transferred into the register, thereby destroying the previous character. In FIFO Mode, an overrun error will occur only when the FIFO is full and the next character has been completely received in the shift register. The character in the shift register is overwritten but not transferred to the FIFO. The OE indicator is set to a logic 1 immediately upon detection of an overrun condition, and reset whenever the Line Status Register is read |
| 0 | DATA_READY | R | Data Ready (DR): This bit is set to a logic 1 whenever a complete incoming character has been received and transferred into the Receiver Buffer Register or the FIFO. DR is reset to a logic 0 by reading all of the data in the Receive Buffer Register or the FIFO |

13.7.9 MODEM STATUS REGISTER (MSR)

This 8-bit register provides the current state of the control lines from the MODEM (or peripheral device). In addition to this current state information, four bits of the MODEM Status Register (MSR) provide change information.

These bits are set to logic 1 whenever a control input from the MODEM changes state. They are reset to logic 0 whenever the MODEM Status Register is read. The bits **DDCD**, **TERI**, **DDSR**, and **DCTS** are also reset by writing a 1 to the respective bit.

| UART_LINE_STAT (DLAB=X) (OFFSET 0X06 RESET=0BXXXX0000) | | | UART MODEM STATUS REGISTER |
|---|------|-----|--|
| BIT | NAME | R/W | DESCRIPTION |
| 7 | DCD# | R | This bit is the complement of the Data Carrier Detect (nDCD) input. If bit 4 of the MCR is set to logic 1, this bit is equivalent to OUT2 in the MCR. |
| 6 | RI# | R | This bit is the complement of the Ring Indicator (nRI) input. If bit 4 of the MCR is set to logic 1, this bit is equivalent to OUT1 in the MCR. |
| 5 | DSR | R | This bit is the complement of the Data Set Ready (nDSR) input. If bit 4 of the MCR is set to logic 1, this bit is equivalent to DTR in the MCR. |
| 4 | CTS | R | This bit is the complement of the Clear To Send (nCTS) input. If bit 4 of the MCR is set to logic 1, this bit is equivalent to nRTS in the MCR. |
| 3 | DDCD | RW1 | Delta Data Carrier Detect (DDCD): Bit 3 indicates that the nDCD input to the chip has changed state. |
| 2 | TERI | RW1 | Trailing Edge of Ring Indicator (TERI): Bit 2 indicates that the nRI input has changed from logic 0 to logic 1. |

SEC1110/SEC1210

| UART_LINE_STAT (DLAB=X) (OFFSET 0X06 RESET=0BXXX0000) | | | UART MODEM STATUS REGISTER |
|--|------|-----|--|
| BIT | NAME | R/W | DESCRIPTION |
| 1 | DDSR | RW1 | Delta Data Set Ready (DDSR): Bit 1 indicates that the nDSR input has changed state since the last time the MSR was read. |
| 0 | DCTS | RW1 | Delta Clear To Send (DCTS): Bit 0 indicates that the nCTS input to the chip has changed state since the last time the MSR was read. |

Note: Whenever bit 0, 1, 2, or 3 is set to a logic 1, a MODEM Status Interrupt is generated.

The Modem Status Register (MSR) only provides the current state of the UART MODEM control lines in Loopback Mode. The SEC1110 and SEC1210 do not support external connections for the MODEM control inputs (nDSR, nRI and nDCD) or for the four MODEM control outputs (nDTR, OUT1 and OUT2).

13.7.10 SCRATCHPAD REGISTER (SCR)

| UART_RX_DATA (DLAB=X) (OFFSET 0X07 RESET=0X00) | | | UART SCRATCH PAD REGISTER |
|---|---------|-----|--|
| BIT | NAME | R/W | DESCRIPTION |
| 7:0 | SCRATCH | R/W | This register has no effect on the operation of the Serial Port. It is intended as a scratchpad register to hold data temporarily. |

13.7.11 PROGRAMMABLE BAUD RATE GENERATOR (AND DIVISOR)

The incoming clock is divided by the value held in the DLL and DLM registers(1 - 65535) to produce the Baud Rate Generator Output signal (BAUD).

| UART_DIV_LAT_LO (DLAB=1) (OFFSET 0X00 RESET=0X01) | | | UART DIVISOR LATCH LOW |
|--|-------------------|-----|---|
| BIT | NAME | R/W | DESCRIPTION |
| 7:0 | BAUD_DIVISOR[7:0] | R/W | Least significant 8 bits of the baud rate divisor is stored here. |

| UART_DIV_LAT_HI (DLAB=1) (OFFSET 0X01 RESET=0X00) | | | UART SCRATCH PAD REGISTER |
|--|--------------------|-----|--|
| BIT | NAME | R/W | DESCRIPTION |
| 7:0 | BAUD_DIVISOR[14:8] | R/W | Most significant 8 bits of the baud rate divisor is stored here. |

Note: DLL and DLM can only be updated if the **DLAB** bit is set (1). Additionally, unlike the original device, division by 1 generates a BAUD signal that is constantly high.

SEC1110/SEC1210

The table below shows the divisor needed to generate a given baud rate from CLOCK inputs of 48 MHz. The effective clock enable generated is 16x the required baud rate. For clock frequencies (fCLOCK) not covered by this table, the required divisor can be calculated as follows:

Divisor value = $\text{uart_clk} / (16 \times \text{desired baud rate})$

| DESIRED BAUD RATE | DIVISOR USED TO GENERATE 16X CLOCK | PERCENT ERROR |
|-------------------|------------------------------------|---------------|
| 50 | 60000 | 0.00 |
| 75 | 40000 | 0.000 |
| 110 | 27273 | 0.00 |
| 134.5 | 22305 | 0.00 |
| 150 | 20000 | 0.00 |
| 300 | 10000 | 0.00 |
| 600 | 5000 | 0.00 |
| 1200 | 2500 | 0.00 |
| 1800 | 1667 | -0.02 |
| 2000 | 1500 | 0.00 |
| 2400 | 1250 | 0.00 |
| 3600 | 833 | 0.04 |
| 4800 | 625 | 0.00 |
| 7200 | 417 | -0.08 |
| 9600 | 313 | -0.16 |
| 19200 | 156 | 0.16 |
| 38400 | 78 | 0.16 |
| 57600 | 52 | 0.16 |
| 115200 | 26 | 0.16 |
| 250000 | 12 | 0.00 |
| 500000 | 6 | 0.00 |
| 1000000 | 3 | 0.00 |
| 3000000 | 1 | 0.00 |

| DESIRED BAUD RATE | DIVISOR USED TO GENERATE 16X CLOCK | PERCENT ERROR |
|-------------------|------------------------------------|---------------|
| 9600 | 26 | 0.16 |
| 19200 | 13 | 0.16 |
| 38400 | 7 | -6.99 |

SEC1110/SEC1210

13.7.12 UART CONFIGURATION SELECT REGISTER

| UART_CTL1 (OFFSET 0X31 RESET=0X00) | | | UART CONTROL REGISTER |
|---------------------------------------|------------------|-----|---|
| BIT | NAME | R/W | DESCRIPTION |
| 7:4 | Reserved | R | Always read as 0 |
| 3 | baud_clk_src_alt | R/W | This bit must be 0. |
| 2 | POLARITY | R/W | 1 : UARTsin_outand UARTsin_in pins functions are inverted. 0 : UARTsin_outand UARTsin_in pins functions are not inverted. |
| 1 | power | R/W | This bit must be 0. |
| 0 | baud_clk_src | R/W | This bit must be 0. This divider in CRM block is bypassed so that uart_clk directly goes to the Inventra core when divisor is 1. |

14.0 SERIAL PERIPHERAL INTERCONNECT (SPI1) - MASTER

The SPI1 module allows full-duplex, synchronous, and serial communication between the EC and off-chip peripherals, including other micro controllers (MCU).

The module works as a Master device.

The SPI_MS provides the following features:

The embedded controller has the following timers:

- Full Duplex Mode
- Three wire synchronous transfers
- Master Mode
- Seven SPI1 Master baud rates
- Serial clock with programmable polarity and phase
- Master Mode fault error flag with MCU interrupt capability
- Write collision flag protection
- 8-bit data transmitted Most Significant Bit (MSB) first, Least Significant Bit (LSB) last or the other way around
- 1-bit Slave Select Output port to control external slave devices
- Special function registers interface to the 8051 CPU
- No bi-directional ports; standard SPI pins to be externally connected to 3-state buffers, through the GPIO Auxiliary ports

The component communicates with host microprocessor through SFR interface and INT interface (i.e., intspi). Communication with other off-chip devices is realized through the TR interface (i.e., mosi: group/SPI1_MOSI, miso: group/SPI1_MISO, sck: group/SPI1_CLK, ssn: /SPI1_CE_N).

The functional blocks of SPI_MS module are INT, SFR, TR blocks.

The SFR sub-block controls the write/read operations on SFR registers of SPI_MS module. It contains the following:

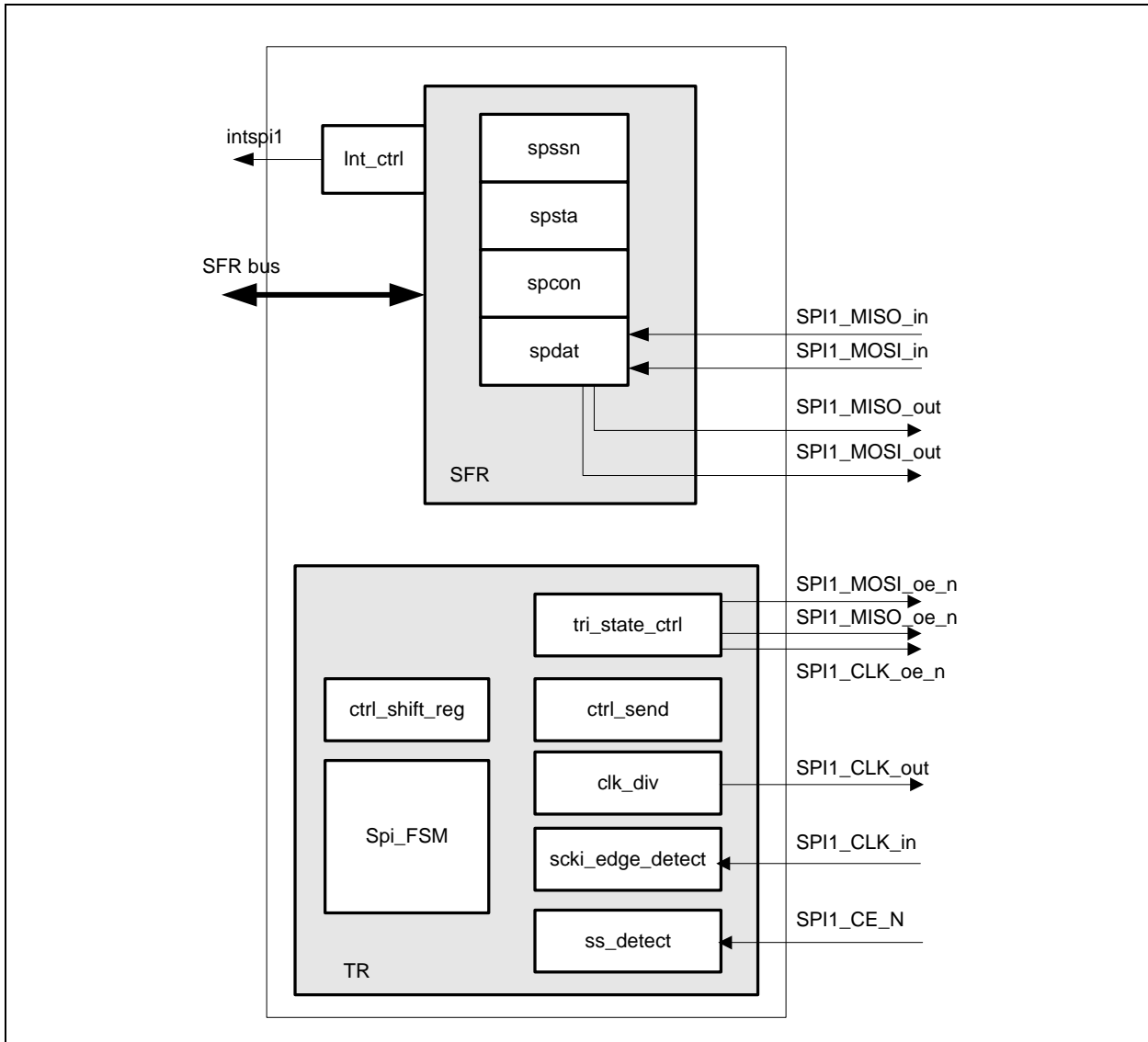
- Address decoder
- SFR registers, described in SPCON, SPSTA, SPDAT
- Output multiplexer

The TR block controls the SPI transmission process. It is composed of the following:

- The Finite State Machine which plays a key role in operation of the SPI_MS module; it controls the Master functionality
- System clock counter/divider, which is used to generate the SPI Master clock scko (**SPI1_CLK**); the Master clock is selected from one of seven clock rates: the spi1_clk clock divided by 2, 4, 8, 16, 32, 64 or 128
- Transmission end detector
- Level and falling edge detector on ssn (**SPI1_CE_N**) input pin
- Data shift register

The INT block generates interrupt request upon spif and modf flags. The spif flag is when the transmission is finished and the **modf** bit is set when the level on **SPI1_CE_N** input is in conflict with actual Mode, i.e., it is 0 in Master Mode (if **ssdis=0**).

FIGURE 14-1: SPI1 MASTER BLOCK DIAGRAM



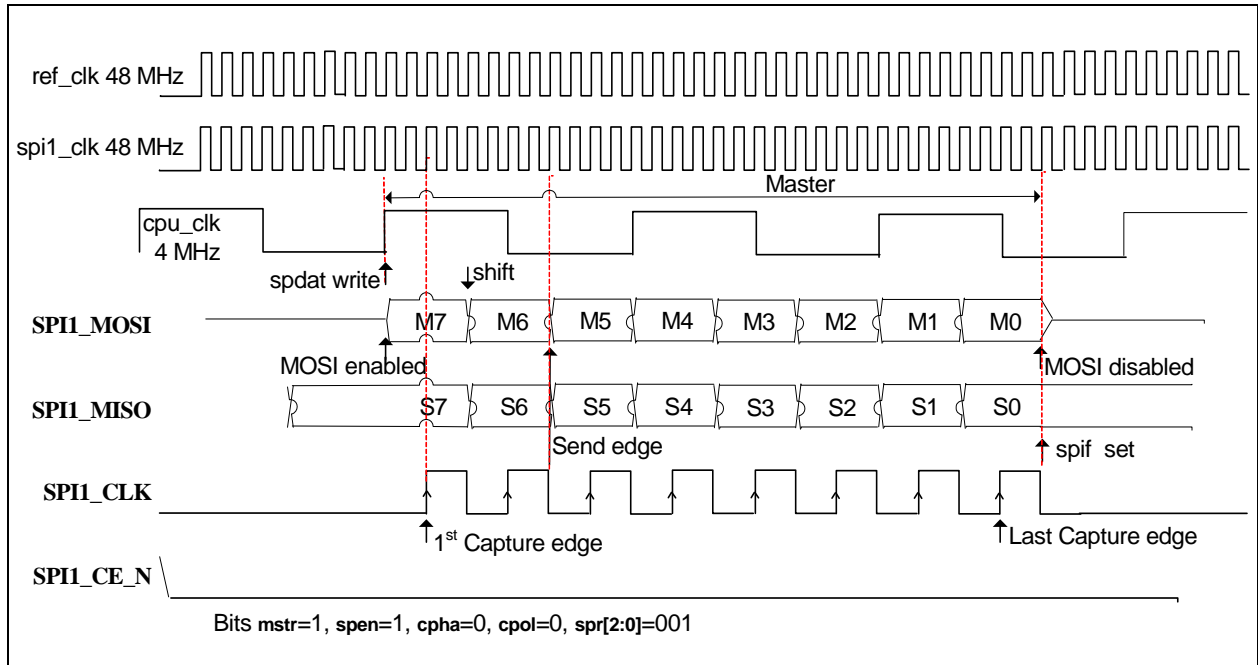
14.1 SPI1 Master Mode

In Master Mode (the `mstr` bit of `SPCON` Register is set) the SPI1 block waits on write operation to the `SPDAT` Register. If write operation to the `SPDAT` Register is done, transmission is started. Data shifts out on the `SPI1_MOSI` output pin at the `SPI1_CLK` serial clock output transition (`send_edge`). Simultaneously, another data byte shifts in from the Slave on Master's `SPI1_MISO` input pin (`capture_edge`).

Depending on the settings of SPI1 module, the bits of data are sent in turn on rising edge (`cpol=0`) or on falling edge (`cpol=1`) of Master clock `SPI1_CLK`. Data are received at the falling edge (`cpol=0`) or rising edge (`cpol=1`) of Master clock (`scko`). This applies either for Master or Slave Transmitter/Receiver, assuming that `SPI1_CLK` is the main clock of the transmission. If `cpha` bit is set, the first bit (MSB) will be sent on the `SPI1_MOSI` output/`SPI1_MISO` output at the first active edge of `SPI1_CLK`. If `cpha` bit is cleared, the first bit (MSB) will be sent half a period of `SPI1_CLK` signal before active edge of this signal. In addition, the data input (`SPI1_MISO`) is sampled in the half of each bit transmitted, at the opposite edge of the clock at which data are shifted out to `SPI1_MOSI` output.

In Master Mode the SPCON Register is written to the setting desired. In this Mode, `mstr=1`, `ssdis=0`, `spen=1`, `cpha=x`, `cpol=x` and `spr[2:0]` indicate the baud rate. Setting the `spen` bit, enables the `SPI1_CE_N` to be driven (assuming GPIO is configured in SPI1 Mode). Then the SPI1 block waits on write operation to the `spdat` Register. If write operation to the `spdat` Register is done, transmission is started (`SPI1_MOSI` pad is enabled). Data shifts out on the `SPI1_MOSI` pin at the `SPI1_CLK` serial clock transition (send_edge). Simultaneously, another data byte shifts in from the Slave on Master's `misoi` pin (capture_edge).

FIGURE 14-2: SPI1 DATA FORMAT IN MASTER MODE (CPHA=0, CPOL=0)



SEC1110/SEC1210

FIGURE 14-3: SPI1 DATA FORMAT IN MASTER MODE (CPHA=0, CPOL=1)

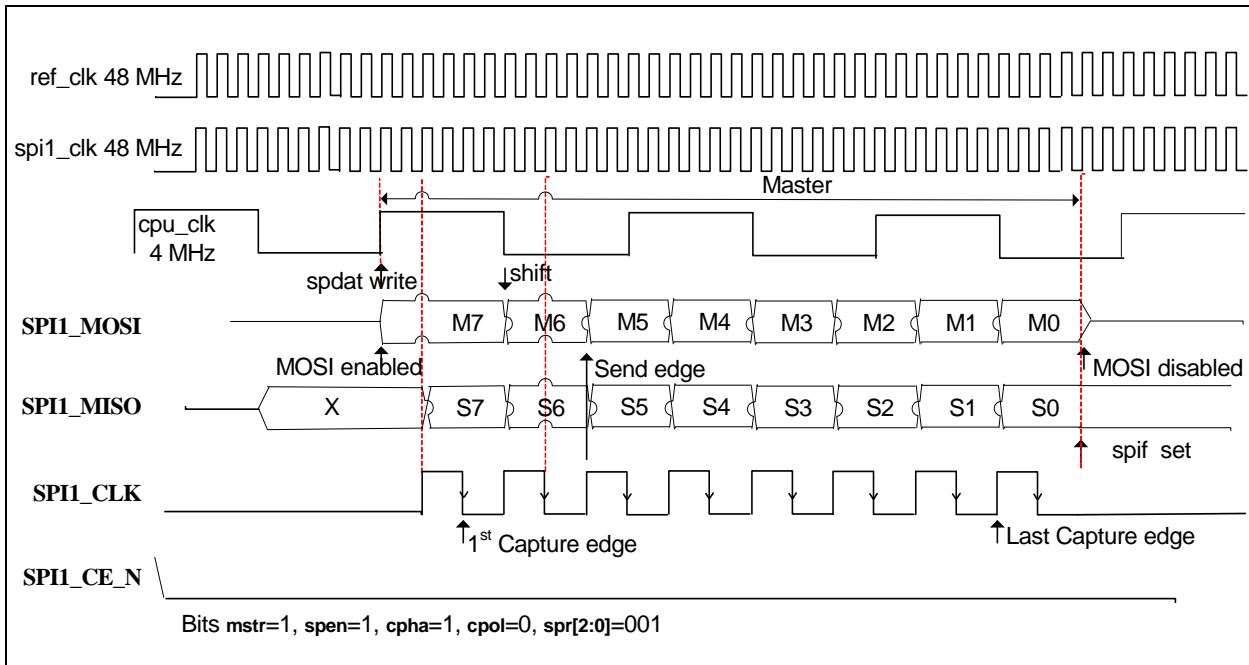


FIGURE 14-4: SPI1 DATA FORMAT IN MASTER MODE (CPHA=1, CPOL=0)

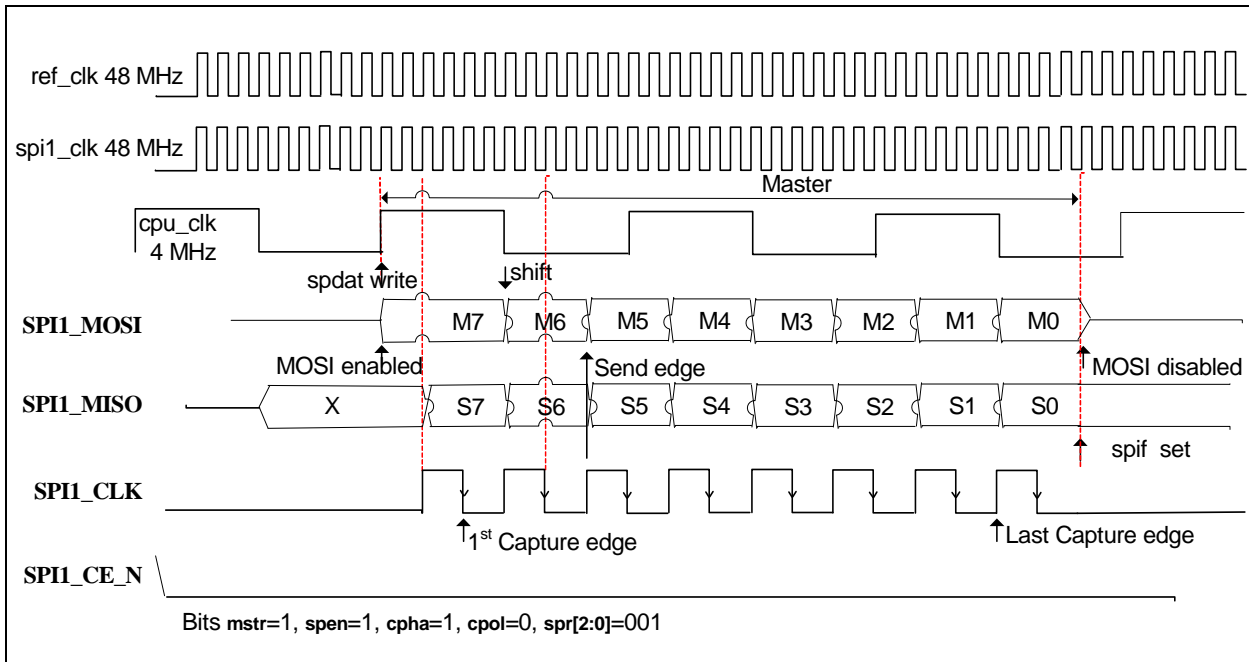
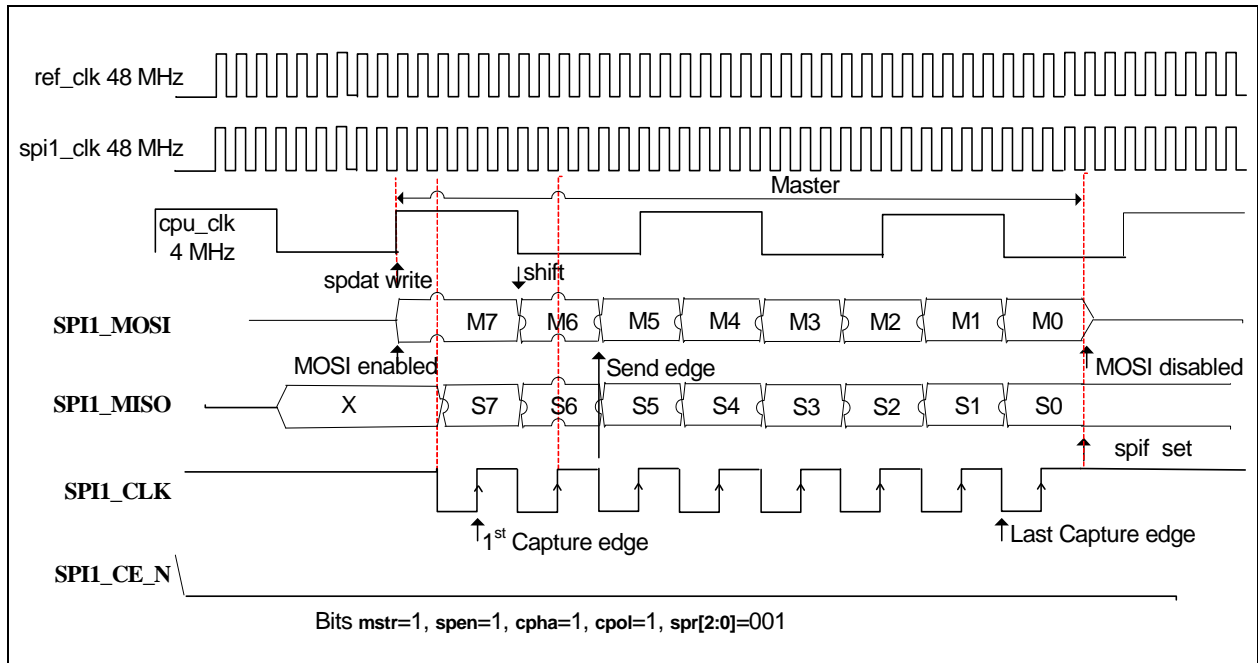


FIGURE 14-5: SPI1 DATA FORMAT IN MASTER MODE (CPHA=1, CPOL=1)

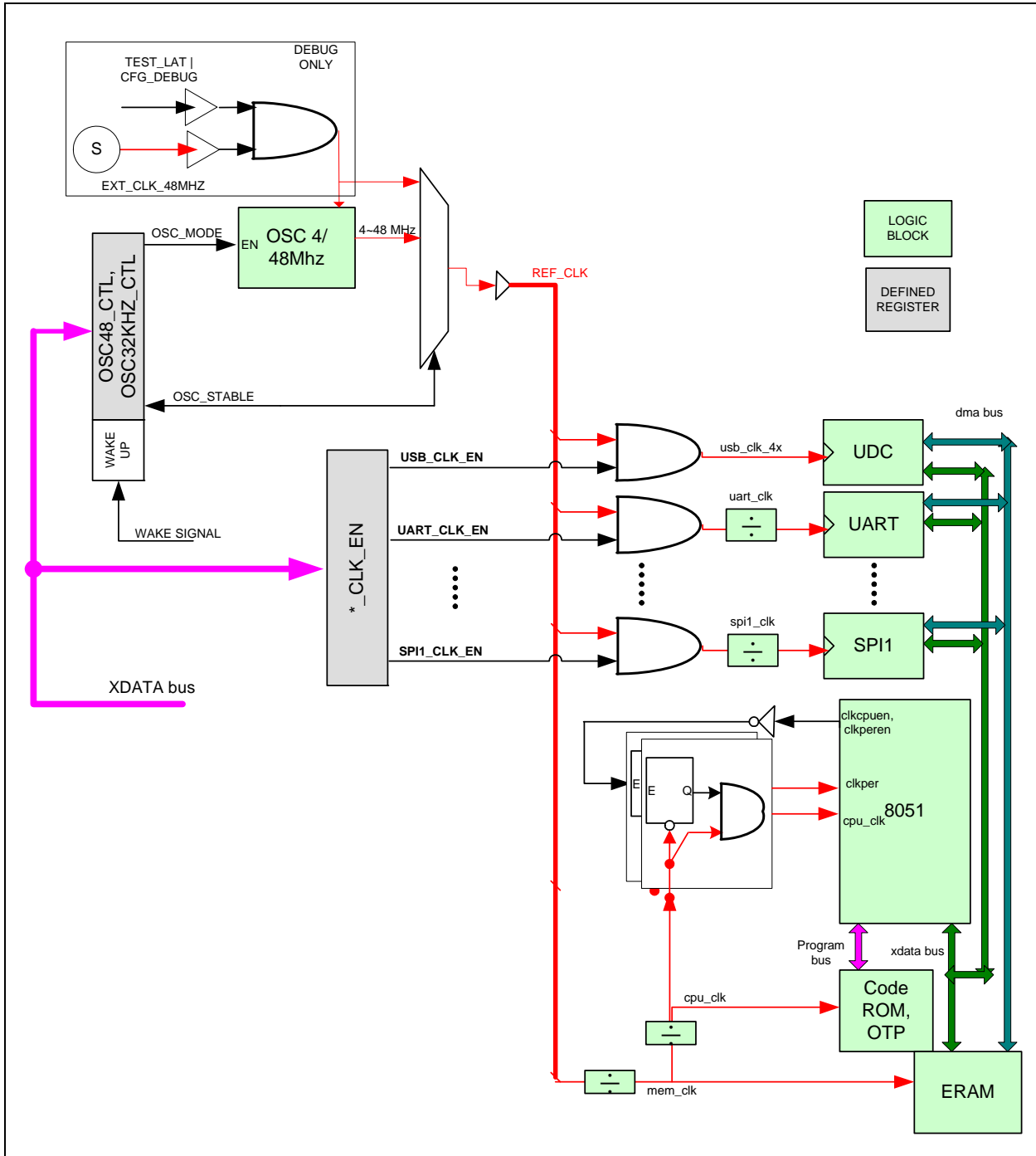


SEC1110/SEC1210

15.0 CLOCK AND RESET

This block generates all the clocks for the CPU and sub-system peripherals. It also has the control registers needed for oscillator testing and power controls. The block diagram of this block is shown in [Figure 15-1](#).

FIGURE 15-1: Clock Generation



15.1 Reset

The following are the reset sources to the chip:

- Internal power on reset from voltage level detector.
- Exit from STOP Mode (low pulse on **RESET_N** pad). The regulators are off in STOP Mode, and this is similar to power on reset.
- Watchdog timer overflow occurs.
- Reset from debug OCDS unit (through JTAG) is received.
- A software reset will be generated after two consecutive 1 value writes to the **srstreq** bit in the srst register (0F7h).

On the above reset events, the following occurs:

1. All registers are set to their default values.
2. All endpoints are disabled.
3. If the SEC1110 or SEC1210 was in the power down state, then it is cleared.
4. All peripheral IOs: SPI1, SPI2, UART, USB, SC1, SC2, and GPIOs go to their reset state.

A reset from debug OCDS unit (through JTAG) resets only the 8051 and SFR peripherals.

15.2 Oscillator

The internal oscillator frequency is 4 or 48 MHz. If the oscillator is turned off, a wake-up event (USB wake-up or GPIO activity) can be programmed to start it. Once it has started, the 8051 can turn it off manually through the OSC48_CTL Register.

15.2.1 SYSTEM CLOCK SHUTDOWN

To shutdown the 48 MHz oscillator, the 8051 clears the **OSC_MODE2** bit.

15.2.2 SYSTEM CLOCK WAKE-UP

If the oscillator is turned off, a wake-up event can be programmed to start it. The WakeOn Event block enables various wake-up events such as USB, or GPIO activity. When a wake-up event is detected, the following happens:

1. The system clock source is indicated by **OSC48_SEL[1:0]** bits. In case of 48 MHz oscillator selection, the **OSC_MODE[1:0]** bits indicate the frequency selected, before clock shutdown.
2. The hardware waits for the selected oscillator source to settle down.
3. Once the clock is stable, the system clock is enabled to the CPU sub-system. If the CPU sub-system was powered down, then the CPU executes out of reset. If the CPU sub-system was powered but in a low-power state, then the CPU resumes executing instructions, from where it was suspended.
4. If it was a USB wake-up event, the firmware will receive a **USB_WU_INT** interrupt from USB.
5. Firmware must ensure that the clocks to synchronous devices are enabled before accessing them.
6. Non-synchronous devices can be accessed at any time.

If the chip was expected to respond to a USB wake-up event, then the firmware must have selected the 48 MHz oscillator before going to suspend. If fast response to a wake-up event is not required, then the firmware selects the low frequency modes of the oscillator before going to suspend.

15.3 CLK_PWR Registers Summary

The register addresses indicated below are offset address to XDATA base memory address 0xA000.

TABLE 15-1: CLK_PWR REGISTER MAP

| REGISTER NAME | XDATA ADDRESS | EC TYPE |
|-------------------|---------------|---------|
| OSC48_CTL | 0x00 | R/W |
| OSC48_SETTLE_CLKS | 0x01 | R/W |
| OSC32KHZ_CTL | 0x02 | R/W |
| OSC_TEST_REGS | 0x03 ~ 0x09 | R/W |
| MEM_CLK_DIV | 0x0A | R/W |

SEC1110/SEC1210

TABLE 15-1: CLK_PWR REGISTER MAP (CONTINUED)

| REGISTER NAME | XDATA ADDRESS | EC TYPE |
|----------------|---------------|---------|
| CPU_CLK_DIV | 0x0B | R/W |
| USB_CLK_CTL | 0x0C | R/W |
| UART_CLK_DIV | 0x0D | R/W |
| SPI1_CLK_DIV | 0x0E | R/W |
| SPI2_CLK_DIV | 0x0F | R/W |
| SC1_CLK_DIV | 0x10 | R/W |
| SC2_CLK_DIV | 0x11 | R/W |
| WOE_CTL | 0x12 | R/W |
| WOE_STS | 0x13 | R/W |
| POWER_STS1 | 0x14 | R/W |
| POWER_CTL1 | 0x15 | R/W |
| POWER_CTL2 | 0x16 | R/W |
| POWER_STS2 | 0x17 | R/W |
| OTP_CFG | 0x18 | R/W |
| Reserved | 0x19~0x1A | R |
| CLKPWR_VERSION | 0x1B | R |
| Reserved | 0x1C~0x1F | R |
| CLKPWR_TEST1 | 0x20 | R/W |
| CLKPWR_TEST2 | 0x21 | R/W |
| CLKPWR_TEST3 | 0x22 | R/W |
| CLKPWR_TEST4 | 0x23 | R |
| OSC4_FTRIM_LSB | 0x26 | R/W |
| OSC4_FTRIM_MSB | 0x27 | R/W |

15.4 Oscillator Registers

15.4.1 OSCILLATOR CONTROL REGISTER

TABLE 15-2: OSCILLATOR 48 MHZ CLOCK CONTROL REGISTER

| OSC48_CTL (0X000-0X000 – RESET=0X00 OR 0X03) | | | OSCILLATOR CONTROL REGISTER |
|---|---------------|-----|--|
| BIT | NAME | R/W | DESCRIPTION |
| 7 | EXT_OSC_SLEEP | R/W | If in external 48 MHz oscillator setting this bit enters Sleep Mode, where the clock is gated. |
| 6 | OSC_DTRIM | R/W | When this bit is set, it enables the dynamic tuning of the internal oscillator. The USB interface must also be enabled. 0 : Disable dynamic tuning (default) 1 : Enable dynamic tuning |

TABLE 15-2: OSCILLATOR 48 MHz CLOCK CONTROL REGISTER (CONTINUED)

| | | | |
|-----|-------------------|-----|--|
| 5:3 | OSC_MODE[2:0] | R/W | <p>These bits indicate the mode of the internal oscillator. Bit 2 indicates if the 48 MHz oscillator is in Sleep Mode. Bits 1:0 indicate the mode of the 48 MHz internal oscillator.</p> <p>000 : The oscillator is enabled in low power state and outputs 4 MHz. This setting is default when the external oscillator is not selected (OSC48_SEL=0).</p> <p>001 : Reserved.</p> <p>010 : The oscillator is enabled and outputs 48 MHz</p> <p>011/111 : Reserved in SEC1110/SEC1210. When Bit 2 is also set, the 111 code indicates that the Oscillator is powered, but its output is gated to lower power consumption. The OSC_MODE[1:0] bits are not updated when OSC_MODE[2:0] is written with 111, thus preserving the oscillator frequency mode. This feature is used when instant start up time is required out of sleep modes.</p> <p>Bit 2 = 1: The internal 48 MHz oscillator is in Sleep Mode. An external event from the WIC block can enable the oscillator if the OSC48_SEL0 bit is 0. On wake-up, the oscillator powers up to 48 MHz or 4 MHz depending on OSC_MODE[1:0] setting, after settling time.</p> <p>When OSC_MODE[1:0] bits are changed (and OSC_MODE2=0), the clocks are gated until the oscillator setting time.</p> <p>If External Oscillator Mode is selected, then the internal oscillator is powered down automatically except when Trimming (OSC_DTRIM) is enabled. In this case, the OSC_MODE[2:0] bits cannot be changed when OSC48_SEL0 bit is set</p> |
| 2:1 | OSC48_SEL[1:0] | R/W | <p>These bits indicate the oscillator selection.</p> <p>00 : Internal 48 MHz oscillator selected, and oscillator clocks is seen after settling time.</p> <p>01 : External 48 MHz oscillator selected. This state can be written to only if EXT_OSC48_PRESENT is 1.</p> <p>10 : Reserved</p> <p>11 : Reserved.</p> |
| 0 | EXT_OSC48_PRESENT | R | <p>This bit indicates if external oscillator is connected.</p> <p>0 : (default) No external oscillator.</p> <p>1 : External 48 MHz oscillator connected</p> |

There are two primary sources of clock to the chip, the external or internal 48 MHz oscillator. Note that the external oscillator input is disabled in production parts and is used for test only. The internal oscillator operates in 3 modes as indicated by the **OSC_MODE** bits, at 48 MHz, 4 MHz or Sleep Mode. The above bits (**OSC48_SEL** and **OSC_MODE**) select the clock named reference clock (ref_clk).

The default after power on reset or exiting STOP Mode or deassertion of **RESET_N** is to use the internal oscillator at 4 MHz. After reset is released (the later of power on reset or external **RESET_N** signal), the Clock and Reset block waits for the oscillator to be stable. The settling times of the oscillator may be changed by writing to the **OSC48_SETTLE_CLKS** Register. This settling time is also used when the **OSC48_SEL0** bit is reset or **OSC_MODE**[1:0] bits are changed.

In normal functional mode, the oscillator operates in 48 MHz mode, and the firmware can switch from 4 MHz to 48 MHz. This mode is required for accurate timing reference, to operate peripheral blocks such as USB, UART, SPI1, SPI2, and SC1. If the peripheral blocks such as USB, UART, SPI1, SPI2, and SC1 are not enabled, then Low Power Mode may be entered by selecting **OSC_MODE**[2:0]=000b. In this mode, the oscillator output is approximately 4 MHz.

The reference clock is running in 8051 IDLE and STOP modes. If the oscillator source needs to be shutdown in Lower Power Mode, then the firmware must write a one to the **OSC_MODE2** bit.

Note: In the SEC1110 and SEC1210 chips, the 32.768 kHz oscillator is not present.

SEC1110/SEC1210

15.4.2 OSCILLATOR 48 MHZ SETTLE TIME REGISTER

TABLE 15-3: OSCILLATOR 48 MHZ SETTLING TIME

| OSC48_SETTLE_CLKS (0X001-0X001 - RESET=0X0A) | | | OSCILLATOR 48MHZ SETTLE TIME REGISTER |
|---|-------------------|-----|--|
| BIT | NAME | R/W | DESCRIPTION |
| 7 | DEBOUNCE_CLK_EN | R/W | This bit if set, it enables a 100 kHz or 1 kHz debounce clock. |
| 6 | DEBOUNCE_FREQ | R/W | 0 : 1 kHz debounce clock 1 : 100 kHz debounce clock |
| 5 | A1_COMPATIBLE | R/W | In the SEC1110/SEC1210 version, this bit is always 0. In other versions, 0: indicates the GPIO block runs off cpu_clk, and if the 8051 is in CPU_IDLE state. The GPIO debounce feature would not function, since cpu_clk is gated. 1: indicates the GPIO block runs off cpu_per_clk. Therefore, if the 8051 is in CPU_IDLE state, the GPIO debounce feature functions normally. |
| 4:0 | OSC48_SETTLE_CLKS | R/W | This field indicates the time to wait before the internal oscillator is stable at 48 MHz. Each increment of this field is approximately, $480 * (1/48) = 10 \mu\text{s}$, when OSC48_SEL1 is 0 (48 MHz). The settling time is OSC48_SETTLE_CLKS * 10 μs . The default settling time is 100 μs . |

The reset value of this register, after the following events, is 0x0A (100 μs for 48 MHz):

- Power on reset, or **RESET_N** release
- Exit from STOP Mode

This value may be changed by firmware to 0x5 (50 μs) before entering low power modes, in which the 48 MHz oscillator is used after a wake-up event.

15.4.3 OSCILLATOR 32 KHZ REGISTERS

TABLE 15-4: OSCILLATOR 32 KHZ CLOCK CONTROL REGISTERS

| OSC32KHZ_CTL (0X002-0X002 - RESET=0X00) | | | OSCILLATOR 32KHZ CONTROL REGISTER |
|--|------------------|-----|-----------------------------------|
| BIT | NAME | R/W | DESCRIPTION |
| 7:4 | Reserved | R | Always read as 0 |
| 3:2 | Reserved | R | Always read as 0 |
| 1 | Reserved | R | Always read as 0 |
| 0 | OSC32KHZ_PRESENT | R | Always read as 0 |

The 32.768 KHz Oscillator can be shutdown under the following conditions:

- When the reference clock (ref_clk) is in 4/8/48 Mhz mode and RTC and LCD are not enabled, and core regulators are not going to be powered down (PWR_CORE_DIS[2:0]=000).
- When the reference clock is in 32.768 KHz mode, then resetting OSC32KHZ_ENABLE powers down this oscillator.
- When reference clock is in 32.768 KHz mode, and any of the PWR_CORE_DIS[2:0] bits are set and OSC32KHZ_ENABLE bit is reset.

15.4.4 OSCILLATOR TEST REGISTERS

TABLE 15-5: OSCILLATOR TEST REGISTERS

| OSC_TEST_REGS (0X003~0X009) - RESET=0XXX | | | OSCILLATOR TEST REGISTER |
|---|----------|-----|---|
| BIT | NAME | R/W | DESCRIPTION |
| 7:0 | Reserved | R/W | These bits are reserved for test and must not be written to. Writes to this register may cause the part to be inoperable. |

15.4.5 MEMORY CLOCK DIVIDE REGISTER

TABLE 15-6: MEMORY CLOCK DIVIDE REGISTER

| MEM_CLK_DIV (0X00A~0X00A – RESET=0X0C) | | | MEMORY CLOCK DIVIDER REGISTER |
|---|------------------|-----|---|
| BIT | NAME | R/W | DESCRIPTION |
| 7:4 | Reserved | R | Always read as 0 |
| 3:0 | MEM_CLK_DIV[3:0] | R/W | <p>This field indicates the divide factor of the reference clock (48 MHz or 4 MHz), to generate the CPU clock.</p> <p>The Clock and Reset blocks stop the memory clock, and consequently any clock derived from the memory clock, temporarily when this register is written to, and before enabling the clock to the new frequency. A value of zero indicates 16.</p> <p>The default divide factor is 12.</p> <p>$mem_clk = ref_clk / MEM_CLK_DIV$</p> |

The reset value of this register, after the following events is 12:

- Power on reset, or **RESET_N** release
- Exit from STOP Mode

When the 48 MHz (or 4 MHz) oscillator (external or internal) is used, the memory clock frequency is 4 MHz (333.33 kHz). The memory bandwidth of on-chip ERAM is shared by the CPU, and by the peripherals such as USB, SPI1 or UART. The CPU clock is derived from memory clock, and both run at the same frequency after reset. This ensures that the CPU would have zero wait states accessing on-chip ERAM. But if other peripherals such as USB, SPI1 or UART are enabled, then the CPU clock must be lower than the memory clock frequency to avoid wait states to on-chip ERAM.

If the USB block is enabled, then the memory clock frequency must be a minimum 8 MHz. The valid values of **MEM_CLK_DIV** with respect to divide factors of other peripherals is shown in [Section 15.6, "Valid Clock Frequencies," on page 162](#).

Note: In the SEC1110/SEC1210 version, before updating the CPU_CLK_DIV register the MEM_CLK_DIV register should be changed to 2 or higher first followed by writing to the CPU_CLK_DIV register. This is to avoid *Anomaly 4*: writing to the CPU_CLK_DIV register when the MEM_CLK_DIV register is equal to 1 causes the SRAM to malfunction. This anomaly is fixed in later SEC1110/SEC1210 versions.

SEC1110/SEC1210

15.4.6 CPU CLOCK DIVIDE REGISTER

TABLE 15-7: CPU CLOCK DIVIDE REGISTER

| CPU_CLK_DIV (0X00B-0X00B RESET=0X01) | | | CPU CLOCK DIVIDER REGISTER |
|---|------------------|-----|---|
| BIT | NAME | R/W | DESCRIPTION |
| 7 | Reserved | R | Always read as 0 |
| 6 | Reserved | R | Always read as 0 |
| 5 | Reserved | R | Always read as 0 |
| 4:2 | Reserved | R | Always read as 0 |
| 1:0 | CPU_CLK_DIV[1:0] | R/W | This field indicates the divide factor of the reference clock(48 MHz or 4 MHz), to generate the CPU clock. The Clock and Reset blocks stop the CPU clock, and the 8051 peripheral clock (clkper) temporarily when this register is written to, and before enabling the clock to the new frequency. The default divide factor is 1. A value of 0 indicates 4. $cpu_clk = mem_clk / CPU_CLK_DIV$ |

The reset value of this register, after the following events is 1:

- Power on reset, or **RESET_N** release
- Exit from STOP Mode

When the 48 MHz oscillator (external or internal) is used, the memory and CPU clock frequencies are 4 MHz. If other peripherals such as USB, SPI1 or UART are enabled, then the CPU clock must be lower than memory clock frequency to avoid wait states to on-chip ERAM.

The Clocks block generates a CPU phase signal with respect to the memory clock. Hence at least one slot of the memory bandwidth is allocated to the CPU. The ERAM memory arbiter uses other slots of memory bandwidth for all peripherals such as USB, SPI1, UART first. The CPU slot is used by the peripherals only in the worst case, when bandwidth is insufficient. The CPU is held in wait if an access occurs at the same time, in such a case.

The valid values of **CPU_CLK_DIV** with respect to divide factors of other peripherals is shown in [Table 15-16, "Valid Clock Frequencies," on page 162](#).

When reference clock is same as CPU_CLK/MEM_CLK, any change to CPU_CLK_DIV, MEM_CLK_DIV, (SPI1/SPI2/UART/USB/SC1/SC2)_CLK_DIV registers requires 10 CPU clocks to take effect before any peripheral is accessed, or other clock divider register is accessed.

To decrease the mem_clk frequency, then mem_clk_div must be written first and cpu_clk_div second. To increase the mem_clk frequency, then cpu_clk_div needs to be written first, and then mem_clk_div. This will ensure that cpu_clk does not exceed the maximum supported frequency.

The CPU peripheral clock is used by the 8051 CPU and internal peripherals such as Timer 0, Timer 1, Timer 2, WDT, and GPIO blocks. The peripherals UART, SPI1, SPI2 (TraceFIFO), and USB also use the CPU clock for their register interface. However, these peripherals also have separate IO function clocks.

After a reset event (power on reset, STOP Mode, soft resets such as watchdog timeout, or OCDS), the OTP is read to determine the security configuration. Next, the reset to the CPU sub-system is released.

The cpu_clk is gated in 8051 CPU_IDLE Mode, but the internal 8051 peripherals (Timer 0, Timer 1, Timer 2) and GPIO blocks are receiving cpu_clkper.

Both the cpu_clk and cpu_clkper are gated in 8051 CPU_STOP mode. Here the clocks to the external peripherals SPI1, SPI2, UART, USB, SC1, SC2, etc. may have clocks running based on their clock enable bits. An interrupt from these peripherals can wake up the CPU. If the external peripherals also have their clocks disabled, then only an external event from the chip can wake-up the CPU.

This external event could be from GPIO blocks (if enabled) or USB resume.

Note 1: In SEC1110/SEC1210 version, when writing to the CPU_CLK_DIV register when the MEM_CLK_DIV register is equal to 1, causes the SRAM to malfunction. Before updating the CPU_CLK_DIV register the MEM_CLK_DIV register should be changed to 2 or higher first followed by writing to the CPU_CLK_DIV register. This *Anomaly 4* errata is fixed in later versions.

2: In SEC1110/SEC1210 silicon, the CPU_CLK_DIV value of 0, indicating divide by 4, must not be used. This *Anomaly 20* errata is fixed in later versions.

15.4.7 USB CLOCK REGISTER

TABLE 15-8: USB CLOCK REGISTER

| USB_CLK_CTL (0X00C~0X00C – RESET=0X00) | | | USB CLOCK REGISTER |
|---|-----------------|-----|---|
| BIT | NAME | R/W | DESCRIPTION |
| 7 | USB_CLK_EN | R/W | When this bit is set, it enables the reference clock (48 MHz if selected) to the USB block. It also supplies a further divide by 4 clock (12 MHz) to the SIE engine. This bit must be enabled for a USB resume condition (normal resume or remote wake-up). The default value is 0. The clocks to the USB block can be halted by resetting this bit, without resetting the USB block (controlled by USB_RESET). |
| 6 | USB_RESET | R/W | This bit when set, resets the USB SIE block. |
| 5 | USB_PHY_SUSPEND | R/W | When this bit is set, it forces the USB PHY to into Suspend Mode. This bit may be used to reduce power consumption of the PHY, if USB is not used. This bit is absent in SEC1110/SEC1210 but is present in later versions. |
| 4:0 | Reserved | R | Always read as 0 |

The USB must be enabled by firmware only when the 48 MHz oscillator (external or internal) is used (**OSC_MODE**=010b and **OSC48_SEL**=00b or 01b).

The firmware need not reset the **USB_CLK_EN** bit, before entering USB suspend. The hardware shuts off the USB clocks automatically when **PWR_CORE_DIS0** is set. In this case, on resumption from USB suspend, as detected by the Wake on Event registers, the hardware would re-enable the USB clocks to continue USB operations.

15.4.8 UART CLOCK REGISTER

TABLE 15-9: UART CLOCK REGISTER

| UART_CLK_DIV (0X00D~0X00D – RESET=0X01) | | | UART CLOCK DIVIDER REGISTER |
|--|--------------|-----|---|
| BIT | NAME | R/W | DESCRIPTION |
| 7 | UART_CLK_EN | R/W | When this bit is set, it enables the reference clock after division by UART_CLK_DIV to the USB block. The default value is 0. The clocks to the UART block can be halted by resetting this bit, without resetting the UART block (controlled by UART_RESET). |
| 6 | UART_RESET | R/W | When this bit is set, it resets the UART block. |
| 5:0 | UART_CLK_DIV | R/W | This field indicates the division factor to reference clock (48 MHz if selected), to generate uart_clk. The frequency however must be a multiple of the cpu_clk frequency, which is enforced by software. The default value is 1. uart_clk = ref_clk/UART_CLK_DIV, with the constraint $MEM_CLK_DIV * CPU_CLK_DIV = UART_CLK_DIV * U$, where U is an integer. |

SEC1110/SEC1210

The frequency selected for the UART block depends on the maximum baud rate desired. For low baud rates such as 9600, and 19200 a UART clock frequency of 4 MHz (cpu_clk) is sufficient. But for higher baud rates, the UART clock frequency must be 16 MHz or higher.

In Clock Bypass Mode (i.e., ref_clk = mem_clk = clk_clk since **MEM_CLK_DIV=1** and **CPU_CLK_DIV=1**), any write to enable the **USB_CLK_DIV** Register would require 10 CPU clocks for the UART clocks to be enabled again, after **UART_RESET** is reset or **UART_CLK_EN** is set. Hence, the UART block must not be accessed during this time.

15.4.9 SPI1 CLOCK REGISTER

TABLE 15-10: SPI1 CLOCK REGISTER

| SPI1_CLK_DIV (0X00E~0X00E – RESET=0X01) | | | SPI1 CLOCK DIVIDER REGISTER |
|--|--------------|-----|---|
| BIT | NAME | R/W | DESCRIPTION |
| 7 | SPI1_CLK_EN | R/W | When this bit is set, it enables the reference clock after division by SPI1_CLK_DIV to the SPI1 block. The default value is 0. The clocks to the SPI1 block can be halted by resetting this bit, without resetting the SPI1 block (controlled by SPI1_RESET). |
| 6 | SPI1_RESET | R/W | When this bit is set, it resets the SPI1 block. |
| 5:0 | SPI1_CLK_DIV | R/W | This field indicates the division factor to reference clock (48 MHz if selected), to generate the spi1_clk. The frequency, however, must be a multiple of the cpu_clk frequency, which is enforced by software. The default value is 1. spi1_clk = ref_clk/SPI1_CLK_DIV, with the constraint $MEM_CLK_DIV * CPU_CLK_DIV = SPI1_CLK_DIV * SP1$, where SP1 is an integer. |

The SPI1 port is the functional Master SPI interface. The frequency selected for the SPI1 block depends on the maximum baud rate desired. The SPI1 baud rate maximum is half the spi1_clk frequency. For low baud rates a SPI1 clock frequency of 4 MHz is sufficient. But for higher baud rates, the SPI1 clock frequency must be higher.

In Clock Bypass Mode (i.e., ref_clk = mem_clk = clk_clk since **MEM_CLK_DIV=1** and **CPU_CLK_DIV=1**), any write to enable the **SPI1_CLK_DIV** Register would require 10 CPU clocks for the SPI1 clocks to be enabled again, after **SPI1_RESET** is reset or **SPI1_CLK_EN** is set. Hence the SPI1 block must not be accessed during this time.

15.4.10 SPI2 CLOCK REGISTER

TABLE 15-11: SPI2 CLOCK REGISTER

| SPI2_CLK_DIV (0X00F~0X00F – RESET=0X0C/0X8C/ 0X01/0X81) | | | SPI2 CLOCK DIVIDER REGISTER |
|---|-------------|-----|---|
| BIT | NAME | R/W | DESCRIPTION |
| 7 | SPI2_CLK_EN | R/W | When this bit is set, it enables the reference clock after division by SPI2_CLK_DIV to the SPI2 block. The default value is 0. The default is 1 if configured to execute out of External SPI as indicated in TABLE 7-1: Code Execution Truth Table on page 21 This occurs if BOND2 pin is high in Debug package. The clocks to the SPI2 block can be halted by resetting this bit, without resetting the SPI2 block (controlled by SPI2_RESET). |
| 6 | SPI2_RESET | R/W | When this bit is set, it resets the SPI2 block. |

TABLE 15-11: SPI2 CLOCK REGISTER (CONTINUED)

| SPI2_CLK_DIV (0X00F~0X00F – RESET=0X0C/0X8C/ 0X01/0X81) | | | SPI1 CLOCK DIVIDER REGISTER |
|---|--------------|-----|--|
| BIT | NAME | R/W | DESCRIPTION |
| 5:0 | SPI2_CLK_DIV | R/W | <p>This field indicates the division factor to reference clock (48 MHz if selected), to generate spi2_clk. The frequency however must be a multiple of the cpu_clk frequency, which is enforced by software.</p> <p>The default value is 1.</p> <p>$uart_clk = ref_clk/SPI2_CLK_DIV$, with the constraint</p> <p>$MEM_CLK_DIV * CPU_CLK_DIV = SPI2_CLK_DIV * SP2$, where SP2 is an integer.</p> <p>If EXT_SPI_EN (BOND2) is high, then the reset value of this field is 12, otherwise the reset value is 1.</p> |

The SPI2 port is the Master SPI interface for external program space execution and instrumentation trace used in Debug Mode. The frequency selected for the SPI1 block depends on the maximum baud rate desired. For low baud rates a SPI2 clock frequency of 4 MHz is sufficient. But for higher baud rates, the SPI2 clock frequency must be higher.

In Clock Bypass Mode (i.e., ref_clk = mem_clk = clk_clk since **MEM_CLK_DIV=1** and **CPU_CLK_DIV=1**), any write to enable the SPI2_CLK_DIV Register would require 10 CPU clocks for the SPI2 clocks to be enabled again, after **SPI1_RESET** is reset or **SPI1_CLK_EN** is set. Hence the SPI2 block must not be accessed during this time.

15.4.11 SMART CARD1 CLOCK REGISTER

TABLE 15-12: SC1 CLOCK REGISTER

| SC1_CLK_DIV (0X010~0X010 – RESET=0X01) | | | SC1 CLOCK DIVIDER REGISTER |
|---|-------------|-----|---|
| BIT | NAME | R/W | DESCRIPTION |
| 7 | SC1_CLK_EN | R/W | <p>When this bit is set, it enables the reference clock after division by SC1_CLK_DIV to the Smart Card 1 block.</p> <p>The default value is 0.</p> <p>The clocks to the SC1 block can be halted by resetting this bit, without resetting the SC1 block (controlled by SC1_RESET).</p> |
| 6 | SC1_RESET | R/W | When this bit is set, it resets the SC1 block. |
| 5:0 | SC1_CLK_DIV | R/W | <p>This field indicates the division factor to reference clock (48 MHz if selected), to generate sc1_clk.</p> <p>The default value is 1.</p> <p>$sc1_clk = ref_clk/SC1_CLK_DIV$, with the constraint</p> <p>$MEM_CLK_DIV * CPU_CLK_DIV = SC1_CLK_DIV * SC1$, where SC1 is an integer.</p> |

The frequency selected for the SC1 block depends on the maximum baud rate desired. The SCC block has the ability to divide this clock generated by the values in the SC_DLL/SC_DLM registers and the SC_CLK_DIV Register to generate the etu. Hence this clock divider is to select the lowest frequency to the block to reduce dynamic power.

The SC1 clock frequency selected must a integer multiple of the CPU clock. For example, if the Smart Card must operate at 16 MHz, the CPU clock is also at 4 MHz or 8 MHz, or if the Smart Card operates at 24 MHz, the CPU clock is also at 4.8 MHz.

The **SC1_CLK_EN** bit must be enabled to write to the **SC1_SC_FIFO_DIS** bit in the Smart Card 1 registers.

In Clock Bypass Mode (i.e., ref_clk = mem_clk = clk_clk since **MEM_CLK_DIV=1** and **CPU_CLK_DIV=1**), any write to enable the SC1_CLK_DIV Register would require 10 CPU clocks for the SC1 clocks to be enabled again, after **SC1_RESET** is reset or **SC1_CLK_EN** is set. Hence, the SC1 block must not be accessed during this time.

SEC1110/SEC1210

15.4.12 SMART CARD2 CLOCK REGISTER

This register is valid only in the SEC1110. It is read only for the SEC1210.

TABLE 15-13: SC2 CLOCK REGISTER

| SC2_CLK_DIV (0X011-0X011 – RESET=0X01) | | | SC2 CLOCK DIVIDER REGISTER |
|---|-------------|-----|---|
| BIT | NAME | R/W | DESCRIPTION |
| 7 | SC2_CLK_EN | R/W | When this bit is set, it enables the reference clock after division by SC_CLK_DIV to the Smart Card 2 block. The default value is 0. The clocks to the SC2 block can be halted by resetting this bit, without resetting the SC2 block (controlled by SC2_RESET). |
| 6 | SC2_RESET | R/W | This bit when set, resets the SC2 block. |
| 5:0 | SC2_CLK_DIV | R/W | This field indicates the division factor to reference clock (48 MHz if selected), to generate sc1_clk or sc2_clk. The default value is 1. $sc1_clk = ref_clk / SC1_CLK_DIV$, with the constraint $MEM_CLK_DIV * CPU_CLK_DIV = SC1_CLK_DIV * SC1$, where SC1 is an integer. |

The frequency selected for the SC2 block depends on the maximum baud rate desired. The SCC block has the ability to divide this clock generated by the values in SC_DLL/SC_DLM and SC_CLK_DIV registers to generate the “etu”. Hence this clock divider is to select the lowest frequency to the block to reduce dynamic power.

The SC2 clock frequency selected must be an integer multiple of the CPU clock. For example, if Smart Card must operate at 16 MHz, the CPU clock is also at 4 MHz or 8 MHz, or if the Smart Card operates at 4.8 MHz, the CPU clock is also at 4.8 MHz or 9.6 MHz. Though there are 2 Smart Card interfaces, they share the same UART, and only one of them is in operation at any point of time.

Though there are 2 Smart Card interfaces, they share the same SC_FIFO, and only one of them is in operation at any point of time for data transfer. But both blocks may be active at the same time, and may be operating at different baud rates. But both the Smart Card clocks must be a multiple of CPU clock. For example, if each operate at 4.8 MHz and 4 MHz, then 48 MHz clock is routed to both blocks (SC1_CLK_DIV=1, SC2_CLK_DIV=1).

In Clock Bypass Mode (i.e., ref_clk = mem_clk = clk_clk since MEM_CLK_DIV=1, CPU_CLK_DIV=1), any write to enable SC2_CLK_DIV register would require 10 CPU clocks for the SC2 clocks to be enabled again, after SC1_RESET is reset or SC1_CLK_EN is set. Hence the SC2 block must not be accessed during this time.

15.5 Wake On Event Register

TABLE 15-14: WAKE ON EVENT REGISTER

| WOE_CTL (0X012-0X012 – RESET=0X00) | | | WAKEON EVENT REGISTER |
|---------------------------------------|-----------------|-----|---|
| BIT | NAME | R/W | DESCRIPTION |
| 7:6 | Reserved | R | Always read as 0 |
| 5 | PWR_STS_WOE_MSK | R/W | Always read as 0 in SEC1110/SEC1210. Setting this bit enables waking up on a power status event. |
| 4 | Reserved | R/W | Always read as 0 |
| 3 | Reserved | R | Always read as 0 |
| 2 | Reserved | R | Always read as 0 |
| 1 | USB_WOE_MASK | R/W | Setting this bit enables waking up the oscillator (enabling the reference clock) from power down state due to USB resume. Resetting this bit disables wake-up on USB resume. |
| 0 | GPIO_WOE_MSK | R/W | Setting this bit enables waking up the oscillator (enabling the reference clock) from power down state due to a GPIO event. Resetting this bit disables wake-up on a GPIO event. The GPIO registers must be enabled to detect a pad change. |

TABLE 15-15: WAKE ON EVENT STATUS REGISTER

| WOE_STS (0X013-0X013 – RESET=0X00) | | | WAKEON EVENT STATUS REGISTER |
|---------------------------------------|-------------|------|--|
| BIT | NAME | R/W | DESCRIPTION |
| 7:6 | Reserved | R | Always read as 0 |
| 5 | PWR_STS_WOE | R/W | Always read as 0 in SEC1110/SEC1210. This bit is set on waking up on a power status event. |
| 4 | Reserved | R/W | Always read as 0 |
| 3 | Reserved | R | Always read as 0 |
| 2 | Reserved | R | Always read as 0 The firmware writes a 1 to reset it. |
| 1 | USB_WOE | R/W1 | Hardware sets this bit on USB resume. The firmware writes a 1 to reset it. |
| 0 | GPIO_WOE | R/W1 | Hardware sets this bit on GPIO event. The firmware writes a 1 to reset it. |

SEC1110/SEC1210

15.6 Valid Clock Frequencies

TABLE 15-16: VALID CLOCK FREQUENCIES

| INDEX | REF | MEM | CPU | SPI1 | SPI2 | UART | USB (SIE) | SC1 | SC2 | COMMENT |
|-------|-----|-----|-------|-----------|-----------|---------|-----------|-----------------|-----------------|----------------------------|
| 1 | 48 | 4 | MEM | SP1 * CPU | SP2 * CPU | U * CPU | - | SC1 * CPU (4) | SC2 * CPU (4) | USB, a multiple of CPU |
| 2 | 48 | 8 | MEM | SP1 * CPU | SP2 * CPU | U * CPU | 12 | SC1 * CPU (4) | SC2 * CPU (4) | |
| 4 | 48 | 4.8 | MEM | SP1 * CPU | SP2 * CPU | U * CPU | - | SC1 * CPU (4.8) | SC2 * CPU (4.8) | USB, not a multiple of CPU |
| 5 | 48 | 9.6 | MEM | SP1 * CPU | SP2 * CPU | U * CPU | 12 | SC1 * CPU (4.8) | SC2 * CPU (4.8) | |
| 6 | 48 | 9.6 | MEM/2 | SP1 * CPU | SP2 * CPU | U * CPU | 12 | SC1 * CPU (4.8) | SC2 * CPU (4.8) | |
| 7 | 4 | REF | MEM | CPU | CPU | CPU | - | | | Low Power mode |

TABLE 15-17: VALID CLOCK FREQUENCIES

| INDEX | REF | MEM | CPU | SPI1 | SPI2 | UART | USB (SIE) | SC1 | COMMENT |
|-------|------------|-----|-------|-----------|-----------|---------|-----------|-----------------|----------------------------|
| 1 | 48 | 4 | MEM | SP1 * CPU | SP2 * CPU | U * CPU | - | SC1 * CPU (4) | USB, a multiple of CPU |
| 2 | 48 | 8 | MEM | SP1 * CPU | SP2 * CPU | U * CPU | 12 | SC1 * CPU (4) | |
| 4 | 48 | 4.8 | MEM | SP1 * CPU | SP2 * CPU | U * CPU | - | SC1 * CPU (4.8) | USB, not a multiple of CPU |
| 5 | 48 | 9.6 | MEM | SP1 * CPU | SP2 * CPU | U * CPU | 12 | SC1 * CPU (4.8) | |
| 6 | 48 | 9.6 | MEM/2 | SP1 * CPU | SP2 * CPU | U * CPU | 12 | SC1 * CPU (4.8) | |
| 7 | 4 | REF | MEM | CPU | CPU | CPU | - | | Low Power modes |
| 9 | 32.768 KHz | REF | MEM | CPU | CPU | CPU | | | |

If an interface is not used, its clock can be disabled and that cell is left blank. All frequencies are in MHz unless otherwise stated.

- SP1 is an integer such that the SPI1 clock frequency is a multiple of the CPU frequency.
- SP2 is an integer such that the SPI2 clock frequency is a multiple of the CPU frequency.
- U is an integer such that the UART clock frequency is a multiple of the CPU frequency.
- Only one Smart Card can be in use at any time. Its frequency is a multiple of the CPU frequency.
- The Memory clock frequency must be 8 Mhz or higher if USB is used. The 48 MHz oscillator mode is required for USB operation.

There are 3 examples clock generation shown in [FIGURE 15-2: on page 163](#), [FIGURE 15-3: on page 164](#), and [FIGURE 15-4: on page 165](#).

FIGURE 15-2: CLOCK GENERATION EXAMPLE 1

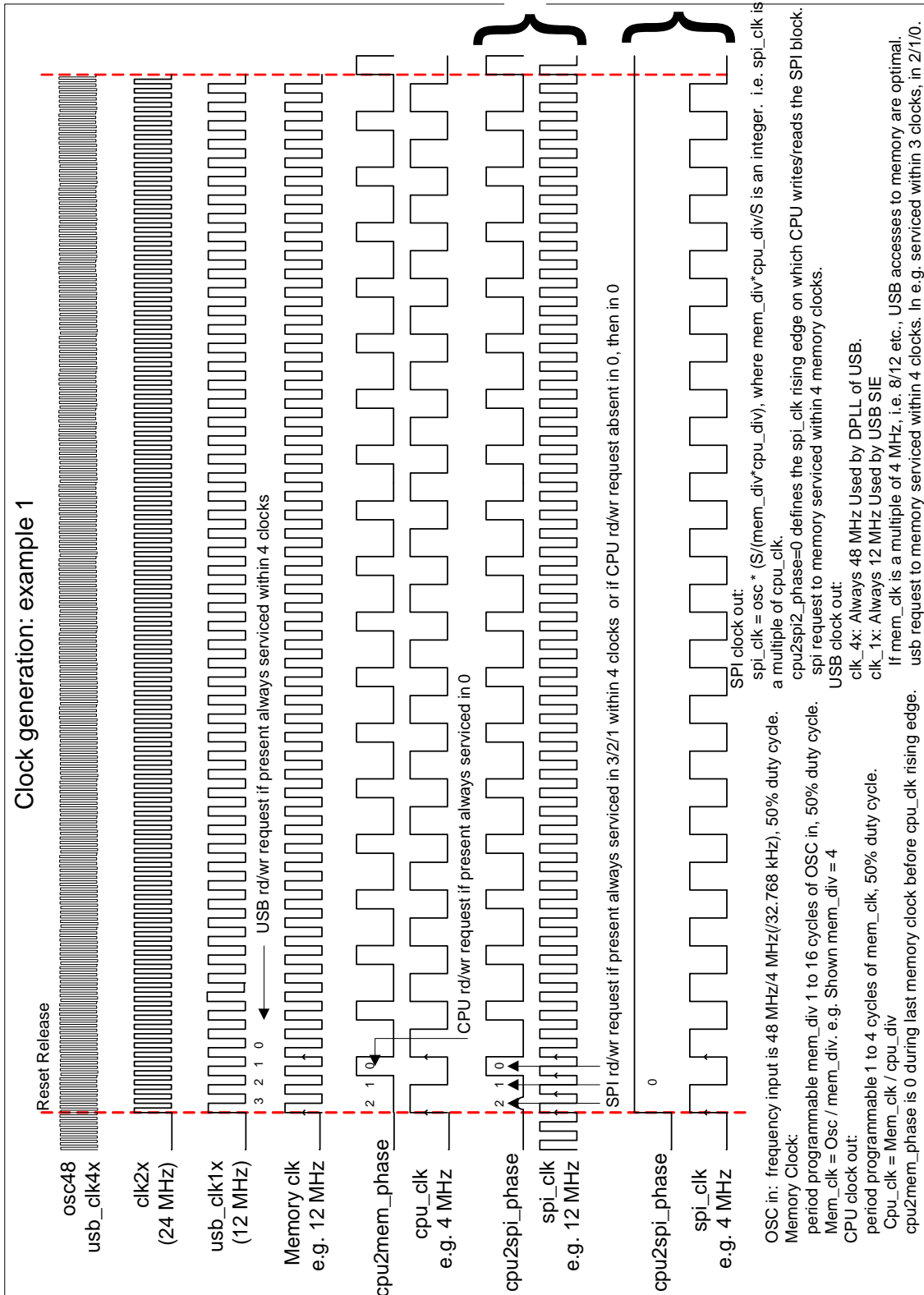


FIGURE 15-3: CLOCK GENERATION EXAMPLE 2

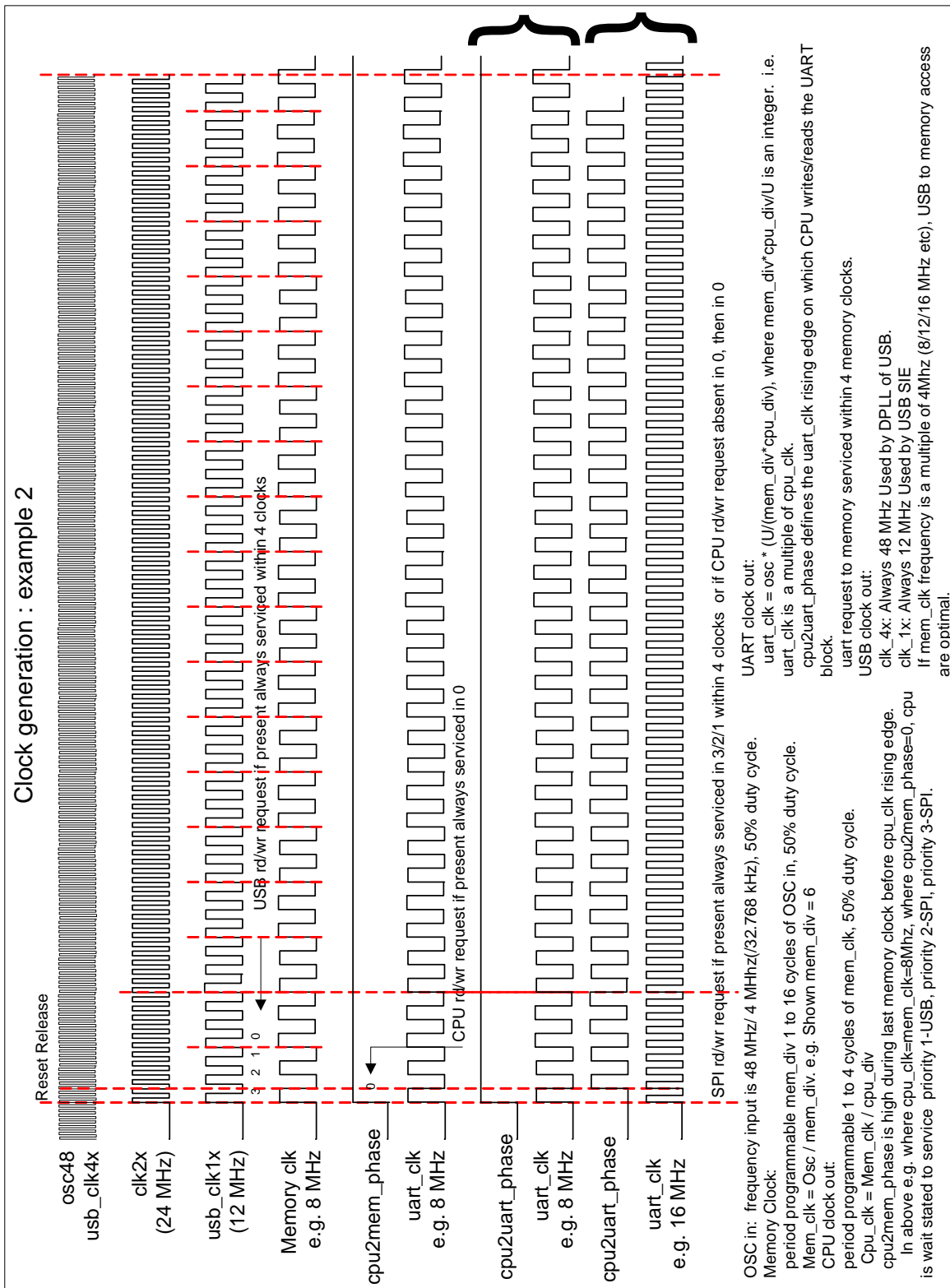
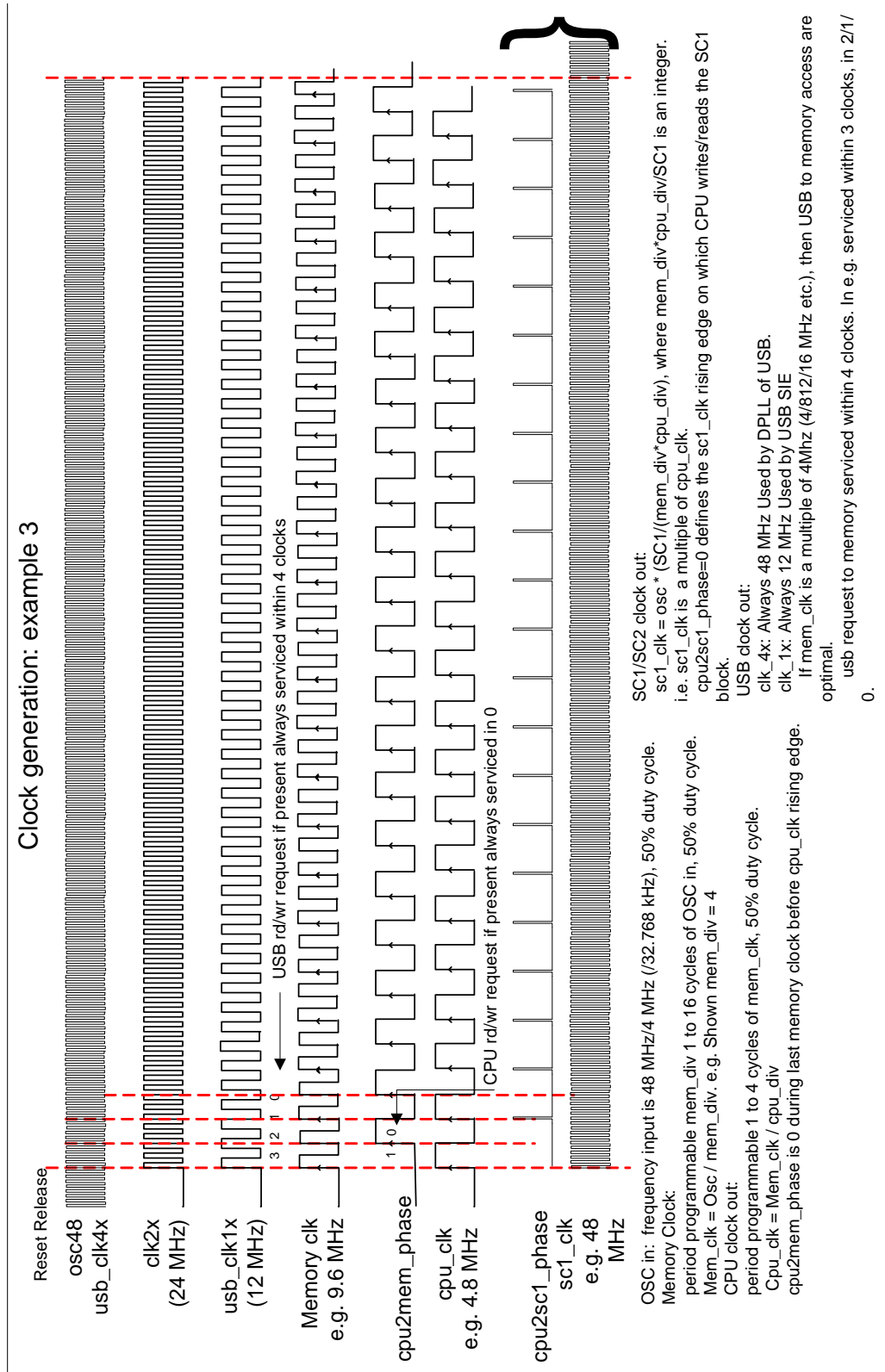


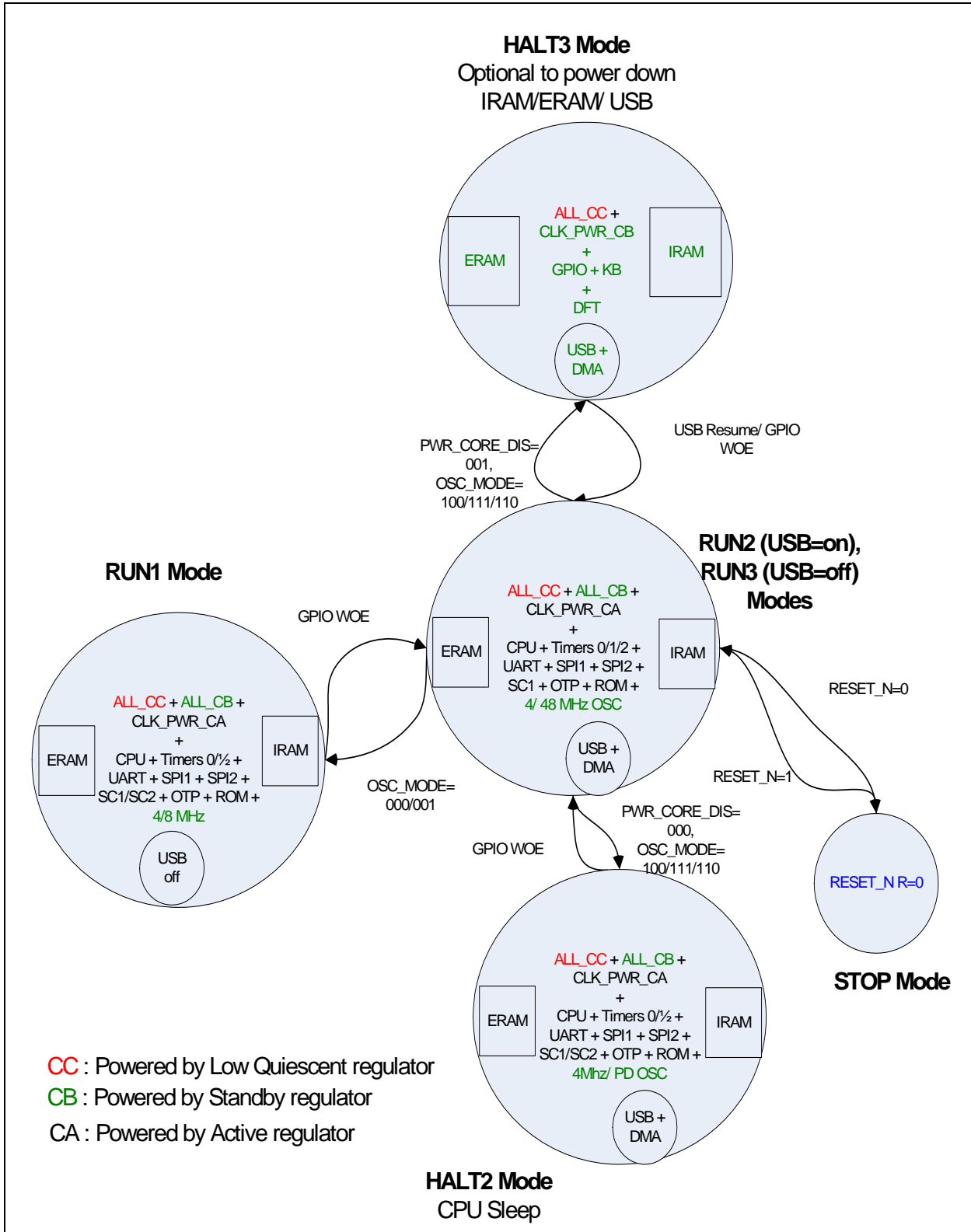
FIGURE 15-4: CLOCK GENERATION EXAMPLE 3



SEC1110/SEC1210

15.7 Power

FIGURE 15-5: SEC1110/SEC1210 POWER STATES



15.7.1 CPU SLEEP/POWER MANAGEMENT

The R8051XC2 has a power management control unit that generates clock enable signals for the main CPU and for peripherals. This unit has two Power Down Modes: IDLE and STOP. It also generates an internal synchronous reset signal (upon external reset, watchdog timer overflow, or software reset condition, OCDS). The IDLE Mode leaves the clock of the internal peripherals running. Any interrupt will wake the CPU.

The CPU sleep modes may be entered in any of the RUN power states.

15.7.1.1 CPU_IDLE Mode

Setting the **idle** bit of the [Power Control Register](#) invokes the IDLE Mode. In the IDLE Mode, the clock for some peripherals (Timer 0, Timer 1, WDT, interrupt controller, reset, and wake-up units) is running (the `clkper_en=1` and `clkcpu_en=0`). Dynamic power consumption drops because the CPU clock is stopped.

The CPU can exit the IDLE state with any interrupt or reset.

15.7.1.2 CPU_STOP Mode

The STOP Mode turns off both internal clocks: `clk_cpu` and `clk_per`. The CPU will exit this state when an External Interrupt 0 (reserved) or External Interrupt 1 (GPIO) occurs, or a reset occurs. Internally generated interrupts are disabled since they require clock activity. Dynamic Power consumption drops further compared to IDLE Mode.

The CLK_PWR block is active, with oscillators up and running. Also, the peripherals such as SPI1, SPI2, SC1, SC2, and UART may be running if they were enabled. The memory clock to the XDATA SRAM is also up.

The Wake-up from Power-Down Mode Control Unit services External Interrupt 0 (all interrupts except GPIOs) or External Interrupt 1 (GPIO0,1, or 2 interrupts) during power-down modes. They can combinationally force the clock enable outputs back to active state so that the clock generation can be resumed.

15.7.2 POWER STATES

15.7.2.1 STOP Mode

This mode is entered when the chip is powered, and the external signal **RESET_N** is low. Entering this mode disables all the voltage regulators for the core and all IO rails. The amount of power consumed is at its least while in this state. The IO pads, GPIO, USB and Smart Card pads are in high impedance mode (no power), but the pad inputs are 5 V tolerant.

The typical use is **RESET_N** signal being asserted when a system is in low power mode. The **RESET_N** is released only when the Host requires an interface to the Smart Card.

When **RESET_N** is released, the chip powers up and enters RUN1 Mode ([Section 15.7.2.3](#)).

15.7.2.2 HALT Mode

The HALT modes are entered only from RUN2/ RUN3 modes.

In this Mode, the software disables the clock to all peripherals such as SPI1, SPI2, UART, SC1, and SC2. If this mode was entered due to USB suspend, then the USB clock is disabled. The software must enable the Wake on Event Register (USB/GPIO) before entering this mode.

The software enters this mode by setting the PWR_CORE_DIS bits and **OSC_MODE[2]** bit, which causes the oscillator to be powered down. Now all main clocks in the core power domain are off, and the chip is in low power state. In order to meet the 200uA USB suspend limit, there are two core power domains. In CoreB (Standby) domain the CLK_PWR, UDC, XDATA ERAM, and IRAM are powered. All other core logic is powered down.

Only a wake-up event such as a USB Resume, GPIO event, or Reset event would cause the chip to exit this state to RUN modes.

The 3.3 V core power to GPIOs and the USB transceiver is enabled.

SEC1110/SEC1210

15.7.2.3 RUN1 Mode

This mode is entered after a power on reset event, or when the software operates the oscillator in Low Power Mode, where the internal oscillator runs at 4 MHz. The dynamic power consumption is low, and it depends on which peripherals are enabled, such as SPI1 (SPI2 in Debug Mode), or UART.

The peripherals such as USB, and SC1, and SC2 require accurate frequency generation, and must not be enabled in the RUN1 Mode.

15.7.2.4 RUN2 Mode

This mode is entered when the software operates the oscillator in normal mode, where the internal oscillator runs at 48 MHz. The dynamic power consumption is high, and it depends on which peripherals are enabled, such as SPI1 (SPI2 in Debug Mode), UART, USB, SC1, and SC2. The USB is not configured and disabled.

The difference between RUN2 and RUN3 modes, is that in RUN2 mode, the USB is off. Hence if operating the Smart Card blocks at lower baud rate, then 48 Mhz oscillator is not required, and reference clock could be at 4.

If Smart Card 1 (or Smart Card 2) is to be enabled, then the variable voltage regulators LDO2A, (or LDO2B) is enabled.

The software can enter lower power states such as RUN1, or HALT states, by changing the **OSC_MODE[2:0]** bits. The software must turn off power supplies to **SC1_VCC** and **SC2_VCC** before going to low power modes.

The chip may enter this mode from RUN1 Mode by changing the **OSC_MODE[2:0]** bits to 010b and **OSC48_SEL[1]** to 0b.

15.7.2.5 RUN3 Mode

This mode is entered when the software operates the Oscillator in normal mode, where the internal oscillator runs at 4 or 48 Mhz. The dynamic power consumption is higher, and it depends on which peripherals are enabled, such as SPI1 (SPI2 in debug mode), UART, USB, SC1, SC2.

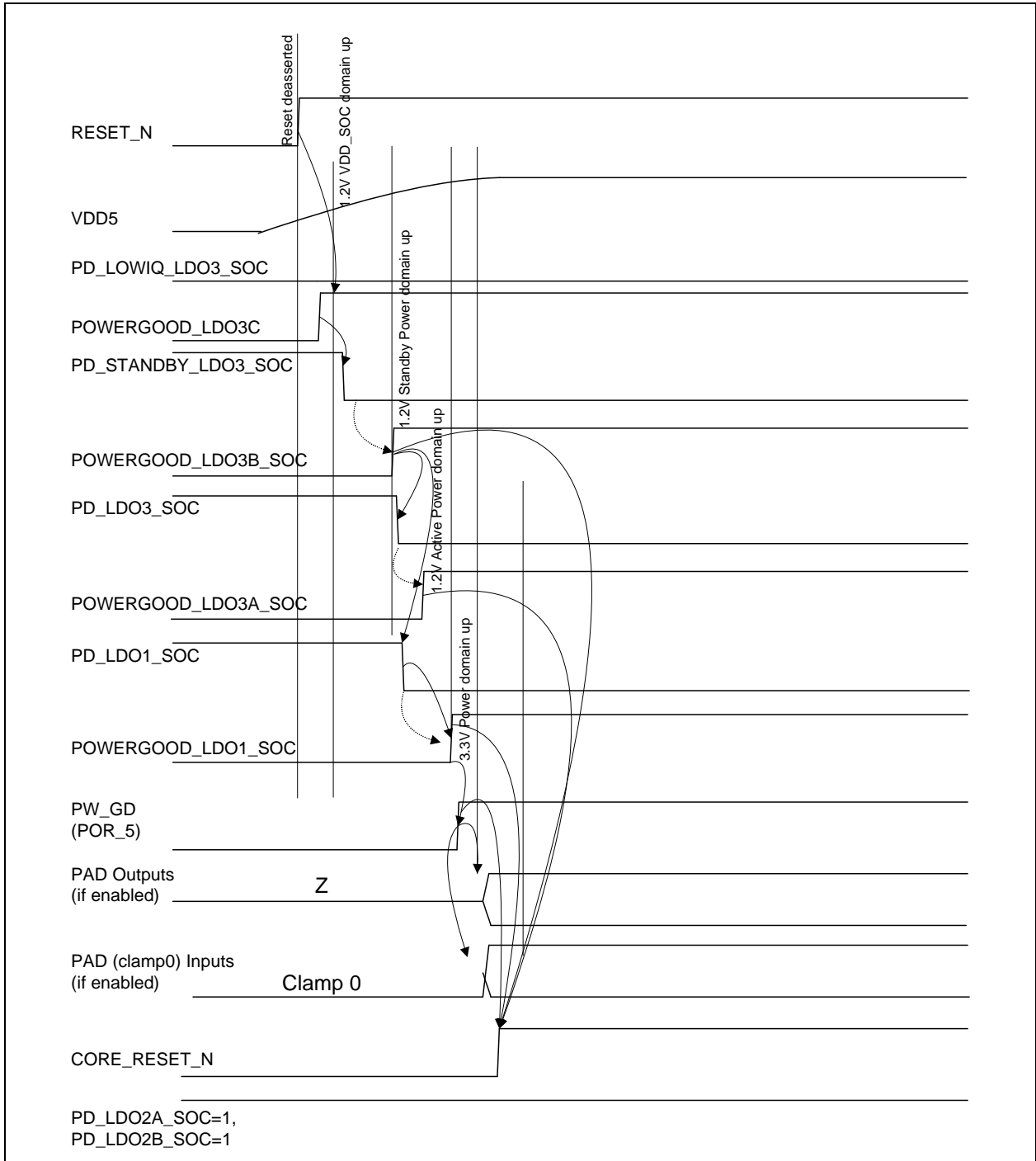
If Smart Card 1 (or Smart Card 2) is to be enabled, then Variable voltage regulators LDO2A (or LDO2B) is enabled.

The Software can enter lower power states such as RUN1, or HALT states, by changing the **PWR_CORE_DIS[2:0]** and **OSC_MODE[2:0]** bits. The software must turn off power supplies to **SC1_VCC** and **SC2_VCC** before going to low power modes.

The chip may enter this mode from RUN1 mode by changing the **OSC_MODE[2:0]** bits to 'b010 and **OSC48_SEL[1]** to 'b0.

When **RESET_N** is low, all the regulators are in Power Down Mode. When **RESET_N** is released high, all the core voltage and 3.3 V IO voltage rails are powered up.

FIGURE 15-6: POWER-ON SEQUENCING



SEC1110/SEC1210

The power up state of internal voltage regulators is shown below.

15.7.3 POWER STATUS REGISTERS

If any bit changes in this register, then it causes a Power Status Event Interrupt.

TABLE 15-18: POWER STATUS1 REGISTER

| POWER_STS1 (0X014 – RESET=001000XXB) | | | POWER STATUS1 REGISTER |
|---|-----------------|-----|---|
| BYTE | NAME | R/W | DESCRIPTION |
| 7 | POWERGOOD_LDO2A | R | If this bit is high, it indicates that SC2_VCC power is stable (100%). It is low if the voltage drops below 85% of rated value. If the SC2 smart card is in operation and this bit becomes low, it indicates that SC2_VCC current limit has been reached, probably due to a short circuit. |
| 6 | POWERGOOD_LDO2B | R | If this bit is high, it indicates that SC1_VCC power is stable (100%). It is low if the voltage drops below 85% of rated value. If the SC1 smart card is in operation and this bit becomes low, it indicates that SC1_VCC current limit has been reached, probably due to a short circuit. |
| 5 | POWERGOOD_LDO1 | R | If this bit is high, it indicates that LDO1 3.3 V power is stable (100%). It is low if the voltage drops below 85% of rated value. |
| 4 | Reserved | R | Reserved |
| 3 | SC2_VCC_OCS | R | This bit is normally zero. If this bit is set, it indicates that the short circuit current exceeded the limits for SC2_VCC . If the LDO2A regulator is powered on, and POWERGOOD_LDO2A is never high because of excess short circuit current, then this bit is set. This bit is reset when software reads this register. |
| 2 | SC1_VCC_OCS | R | This bit is normally zero. If this bit is set, it indicates that the short circuit current exceeded the limits for SC1_VCC . If the LDO2B regulator is powered on, and POWERGOOD_LDO2B is never high because of excess short circuit current, then this bit is set. This bit is reset when software reads this register. |
| 1 | VDD5_LOW | RO | This bit is set when the VDD5 power supply voltage drops below 4.8V, indicating the Smart Card cannot be operated as a Class A terminal. This bit is zero, when the VDD5 power is above 4.9V. The VDD5 comparator has a 100mV hysteresis. T |
| 0 | Reserved | R | This bit is low when VDD5 is powered. This bit is always low in since the only power source is VDD5. |

TABLE 15-19: POWER STATUS2 REGISTER

| POWER_STS2 (0X017 – RESET=000XX11XB) | | | POWER STATUS2 REGISTER |
|---|------------------|-----|---|
| BYTE | NAME | R/W | DESCRIPTION |
| 7 | SC2_VCC_PWR_OVRR | R/W | When this bit is set to 1, it allows powering up of the SC2 pads with PWR_SC2_EN bits i.e., the SC register bit CARD2_VCC_CNTL need not be configured to power the SC2 pads. |
| 6:3 | Reserved | R | Always read as 0 |
| 2 | POWERGOOD_LDO3B | R | If this bit is high, it indicates that the Core 1.2 V standby power is stable. It is low if the voltage drops below 85% of rated value. |
| 1 | POWERGOOD_LDO3A | R | If this bit is high, it indicates that the Core 1.2 V power is stable. It is low if the voltage drops below 85% of rated value. |
| 0 | VDD5_LOW_3P5 | R | This bit if high indicates that the VDD5 power supply is less than 3.5V. This bit if low, indicates that the VDD5 power supply is more than 3.5V. |

15.7.4 POWER CONTROL 1 REGISTER

These register bits control the power supply to the IO pads of the chip, except for the 3.3 V pads.

TABLE 15-20: POWER CONTROL 1 REGISTER

| POWER_CTL1 (0X015 – RESET=0X00) | | | POWER CONTROL1 REGISTER |
|------------------------------------|-------------------|-----|---|
| BYTE | NAME | R/W | DESCRIPTION |
| 7 | SC2_CLK_SLEW_RATE | R/W | Always read as 0 in the SEC1110/SEC1210 version. If this bit is set, it causes the Smart Card pads to operate normally, i.e., the rise and fall times are within 8% of 4.8 MHz, even with large capacitive loads (85 pF). If this bit is reset, it reduces the slew rate of the SC2_CLK pad to 33% slew rate of normal operation. This feature enables software to reduce the edge rate of the SC2_CLK pad when the load capacitance is normal (around 30 pF), by setting this bit. |
| 6 | Reserved | R | Always read as 0 |
| 5 | Reserved | R | Always read as 0 |
| 4 | SC1_CLK_SLEW_RATE | R/W | Always read as 0 in the SEC1110/SEC1210 version. If this bit is set, it causes the Smart Card pads to operate normally, i.e., the rise and fall times are within 8% of 4.8 MHz, even with large capacitive loads (85 pF). If this bit is reset, it reduces the slew rate of the SC1_CLK pad to 33% slew rate of normal operation. This feature enables software to reduce the edge rate of the SC1_CLK pad when load capacitance is normal (around 30 pF), by setting this bit. |
| 3:2 | PWR_SC2_EN | R/W | This register controls the voltage regulator for the Smart Card 2 pads, if the PWR_SC2_EN33 bit is zero. This is applicable only to the SEC1210. Otherwise this field is read only. 00 : SC2_VCC is powered down. 01 : SC2_VCC supplies 5.0 V (Class A) 10 : SC2_VCC supplies 3.0 V (Class B) 11 : SC2_VCC supplies 1.8 V (Class C). The VCC_CNTL bit in the Smart Card 2 SC_Sync_ALL Register must be set to enable the PWR_SC2_EN values to control the voltage regulator. If VCC_CNTL is reset, then it is equivalent to 00b setting. |

SEC1110/SEC1210

TABLE 15-20: POWER CONTROL 1 REGISTER

| POWER_CTL1 (0X015 – RESET=0X00) | | | POWER CONTROL1 REGISTER |
|------------------------------------|------------|-----|--|
| BYTE | NAME | R/W | DESCRIPTION |
| 1:0 | PWR_SC1_EN | R/W | <p>This register controls the voltage regulator for the Smart Card 1 pads, if PWR_SC1_EN33 bit is zero.</p> <p>00 : SC1_VCC is powered down. 01 : SC1_VCC supplies 5.0 V (Class A) 10 : SC1_VCC supplies 3.0 V (Class B) 11 : SC1_VCC supplies 1.8 V (Class C).</p> <p>The VCC_CNTL bit in the Smart Card 1 SC_Sync_ALL Register must be set to enable PWR_SC1_EN values to control the voltage regulator. If VCC_CNTL is reset, then it is equivalent to 00b setting.</p> |

The **PWR_SC1_EN** bit controls the power to all the Smart Card 1 pins, namely **SC1_CLK**, **SC1_IO**, **SC1_RST_N**, **SC1_C4**, and **SC1_C8**.

The Power Control 2 Register controls the power supply to the core logic of the chip, and the power to the 3.3 V pads.

TABLE 15-21: POWER CONTROL 2 REGISTER

| POWER_CTL2 (0X016 – RESET=0X00) | | | POWER CONTROL2 REGISTER |
|------------------------------------|-------------------|-----|---|
| BYTE | NAME | R/W | DESCRIPTION |
| 7 | PWR_SC1_EN33 | R/W | If this bit is high, it indicates that the SC1_VCC supplies 3.3 V. If this bit is low, it allows the PWR_SC1_EN bit to control SC1_VCC power. |
| 6 | PWR_SC2_EN33 | R/W | If this bit is high, it indicates that SC2_VCC supplies 3.3 V. This bit if low, allows PWR_SC2_EN bit to control SC2_VCC power. |
| 5 | PWR_VDD33_DIS | R/W | <p>This field indicates whether the power to the pads using VDD33 is disabled in low power modes.</p> <p>0 : Power to VDD33 pads is enabled. 1 : Power to VDD33 pads is disabled. Note that PWR_CORE_DIS[1] also must also be 1 for 3.3 V pads to be disabled.</p> |
| 4 | SC1_VCC_PWR_OVRRD | R/W | <p>Always read as 0 in SEC1110/SEC1210 version.</p> <p>If this bit is set, the LDO2B regulator can be controlled directly by the PWR_SC1_EN register bits. If this bit is cleared, the Smart Card controller bits control the LDO2B regulator.</p> |
| 3 | PWR_RAMDIS | R/W | <p>This field indicates whether the power to the RAMs in the core logic is disabled in low power modes.</p> <p>0 : Power to all RAM blocks is enabled. 1 : Power to the IRAM, ERAM blocks is disabled.</p> <p>A write to this field only takes affect after a consecutive write to the OSC48_CTL register.</p> |
| 2:0 | PWR_CORE_DIS[2:0] | R/W | <p>This field indicates whether the power to the core logic is disabled in low power modes.</p> <p>000 : Power to all core blocks is enabled.</p> <p>Bit 0 : Controls power disable to voltage regulator LDO3A which supplies power to most of the core logic except the USB core, and some parts of CLK_PWR block.</p> <p>Bit 1 : Reserved. Bit 2 : Reserved.</p> <p>A write to this field only takes effect after a consecutive write to the OSC48_CTL register.</p> |

The PWR_SC2_EN bit controls the power to the Smart Card 2 pins, namely SC2_CLK, SC2_IO, and SC2_RST_N.

To enter low power modes, a write to PWR_STOP_MODE bit in PWR_CNTL1 register or a write to PWR_CORE_DIS[2:0], PWR_RAM_DIS and PWR_VDD33_DIS bits in PWR_CNTL2 register should be followed by a write to OSC48_CTL register to take effect. Any writes to other bits of PWR_CNTL1 and PWR_CNTL2 registers are ignored for this "two consecutive writes" rule. The hardware needs approximately 300 CPU clocks to enter the low power states.

15.8 One Time Programmable ROM Configuration

This OTP Configuration Register is read only and is updated every time before reset release to the 8051 CPU. It captures the first byte of [Table 15-22, "One Time Programmable Configuration Register," on page 173](#). Since the initial unprogrammed state of the OTP special registers is all zeroes, this register powers up as zero.

TABLE 15-22: ONE TIME PROGRAMMABLE CONFIGURATION REGISTER

| OTP_CFG (0X18 - RESET=0X00) | | | OTP CONFIG REGISTER |
|--------------------------------|---------------|-----|---|
| BYTE | NAME | R/W | DESCRIPTION |
| 7 | FORCE_OTP_ROM | R | 1 : Forces execution out of the OTP ROM irrespective of the BOND2 value. 0 : Execute out of ROM or OTP_ROM, or external SPI2 depending on Table 7-1, "Code Execution Truth Table," on page 21 . |
| 6 | OTP_ROM_EN | R | 1 : Forces execution out of the OTP ROM if BOND2 (i.e., EXT_SPI2_EN) is zero. 0 : Execute out of ROM, or external SPI2 depending on BOND2 |
| 5 | JTAG_DIS | R | If this bit is programmed, then JTAG_CLK cannot be configured in JTAG Mode. OCDS debug access to 8051 CPU is disabled. LVJTAG access is also disabled. |
| 4:3 | Reserved | R | Reserved |
| 2:1 | LOCK[1:0] | R | Active high. Locks VPP switch in individual sectors 1 and 0. |
| 0 | MLOCK | R | Active high. Locks VPP switch to all sectors. |

15.9 Clock Power Test Registers

These registers at address offsets 0x20 to 0x23 are for Microchip Internal use only, and changing the default values may cause faulty operation of the device.

TABLE 15-23: CLKPWR TEST1 REGISTER

| CLKPWR_TEST1 (0X020 - RESET=0X00) | | | CLKPWR REGISTER |
|--------------------------------------|--------------------------|-----|---|
| BIT | NAME | R/W | DESCRIPTION |
| 7:6 | TEMPCOMP_PRG_48MOSC[1:0] | RO | The default value is 00. The effect of changing these values is not documented. This field is tied to 00. |
| 5:3 | IBIASPRG_48MOSC[2:0] | RW | The default value is 000. The effect of changing these values is not documented. |
| 2:0 | STARTUP_48MOSC[2:0] | RW | The default value is 000. The effect of changing these values is not documented. |

SEC1110/SEC1210

TABLE 15-24: CLKPWR TEST2 REGISTER

| CLKPWR_TEST2 (0X021 – RESET=0X00) | | | CLKPWR TEST2 REGISTER |
|--------------------------------------|-----------------|-----|---|
| BIT | NAME | R/W | DESCRIPTION |
| 7 | TF_PG_LDO3A | RW | The default value is 0. |
| 6 | TF_PG_SEL_LDO3A | RW | The default value is 0. A value of 1 bypasses the power good detector for LDO3A, and the value written in TF_PG_LDO3A is observed in POWERGOOD_LDO3A field. This field is defined for scan purposes. |
| 5 | TF_PG_LDO1 | RW | The default value is 0. |
| 4 | TF_PG_SEL_LDO1 | RW | The default value is 0. A value of 1 bypasses the power good detector for LDO1, and the value written in TF_PG_LDO1 is observed in POWERGOOD_LDO1 field. These two fields can be tested in functional mode. |
| 3 | TF_PG_LDO2A | RW | The default value is 0, since Smart Card 2 is disabled by default. |
| 2 | TF_PG_SEL_LDO2A | RW | The default value is 0. A value of 1 bypasses the power good detector for LDO2A, and the value written in TF_PG_LDO2A is observed in POWERGOOD_LDO2A field. |
| 1 | TF_PG_LDO2B | RW | The default value is 0 since Smart Card 1 is disabled by default. |
| 0 | TF_PG_SEL_LDO2B | RW | The default value is 0. A value of 1 bypasses the power good detector for LDO2B, and the value written in TF_PG_LDO2B is observed in POWERGOOD_LDO2B field. |

TABLE 15-25: CLKPWR TEST3 REGISTER

| CLKPWR_TEST3 (0X022 – RESET=0X00) | | | CLKPWR TEST3 REGISTER |
|--------------------------------------|---------------|-----|--|
| BIT | NAME | R/W | DESCRIPTION |
| 7 | TF_SFST_LDO3A | RW | The default value is 0. A value of 1 disables the soft start feature of LDO3A. |
| 6 | TF_SFST_LDO1 | RW | The default value is 0. A value of 1 disables the soft start feature of LDO1. |
| 5 | TF_SFST_LDO2A | RW | The default value is 0. A value of 1 disables the soft start feature of LDO2A. |
| 4 | TF_SFST_LDO2B | RW | The default value is 0. A value of 1 disables the soft start feature of LDO2B. |
| 3 | TF_CL_LDO3A | RW | The default value is 0. A value of 1 doubles the current limit of LDO3A. |
| 2 | TF_CL_LDO1 | RW | The default value is 0. A value of 1 doubles the current limit of LDO1. |
| 1 | TF_CL_LDO2A | RW | The default value is 0. A value of 1 doubles the current limit of LDO2A. |
| 0 | TF_CL_LDO2B | RW | The default value is 0. A value of 1 doubles the current limit of LDO2B. |

TABLE 15-26: CLKPWR TEST4 REGISTER

| CLKPWR_TEST4 (0X023 – RESET=0X00) | | | CLKPWR TEST4 REGISTER |
|--------------------------------------|-------------------|-----|---|
| BIT | NAME | R/W | DESCRIPTION |
| 7 | Reserved | RO | This bit is always zero. |
| 6 | RESET_SRC_SRST | RO | This bit if set indicates that the reset of the chip was due to srsstreq bit in SRST register. |
| 5 | RESET_SRC_WDOG | RO | This bit if set indicates that the reset of the chip was due to Watchdog reset. |
| 4 | FAKE_TF_PG_2A_REG | R/W | Always read as zero in SEC1110/SEC1210. This bit if set disables powergood faking through the regulator interface. Instead it enables PWR_GD pin of SC2 PADS to be powergood faked directly. For the direct powergood faking, this bit should be set along with both "TF_PG_LDO2A and TF_PG_SEL_LDO2A" bits. When this bit is cleared, LDO2A regulator interface will be used to powergood faking. |
| 3 | FAKE_TF_PG_2B_REG | R/W | Always read as zero in SEC1110/SEC1210. This bit if set disables powergood faking through the regulator interface. Instead it enables PWR_GD pin of SC1 PADS to be powergood faked directly. For the direct powergood faking, this bit should be set along with both "TF_PG_LDO2B and TF_PG_SEL_LDO2B" bits. When this bit is cleared, LDO2B regulator interface will be used to powergood faking. |
| 2 | JTAG_TDI_LAT | RO | This bit indicates the value of JTAG_TDI pin at internal reset release time (3.3V pads are powered up). |
| 1 | JTAG_CLK_LAT | RO | This bit indicates the value of JTAG_CLK pin at internal reset release time (3.3V pads are powered up). |
| 0 | TEST_LAT | RO | This bit indicates the value of TEST pin at internal reset release time (3.3V pads are powered up). |

In functional mode, if EXT_OSC48_PRESENT bit is one, then JTAG_TDI_LAT bit is used by boot ROM firmware to indicate the external clock frequency as 48 Mhz (JTAG_TDI_LAT=1), or 12 Mhz (JTAG_TDI_LAT=0). The firmware changes the MEM_CLK_DIV factor as 12 (external 48 Mhz clock), or 1 (external 12 Mhz clock). This test feature is used in ATE mode.

TABLE 15-27: CLKPWR VERSION REGISTER

| CLKPWR_VERSION (0X01B – RESET=0X01) | | | VERSION REGISTER |
|--|--------------|-----|---|
| BIT | NAME | R/W | DESCRIPTION |
| 7:4 | Reserved | R | Always read as zero. |
| 3:0 | VERSION[3:0] | R | The field indicates the mask revision of silicon. The default value is 0001 : indicating A0 |

SEC1110/SEC1210

16.0 OTP ROM TEST INTERFACE

The One Time Programmable (OTP) ROM is 128 kbits in size, organized as 16 kB during Read Mode.

- Up to 4 bits may be programmed at a time

By default, the OTP ROM is read in Single-Ended Mode utilizing a single memory cell per logical bit of information. Two additional read modes are provided to enhance margins and secure data in highly reliable, field programmable systems: Differential Mode and Redundant Mode. The Read Mode is controlled by the Mode Register and can be dynamically changed for different sections of the address space.

- In Single-Ended Read Mode, the memory cell is compared to a reference to determine its state. The main memory is addressed by A[9:0] in Single-Ended Mode. The ROM memory size is 16 kB.
- In Differential Read Mode, two memory cells are compared to each other, one programmed and one not, without a need for a reference. The main memory is addressed by A[9:1] in Differential Mode. The address bit **A0** selects between the two physical cells constituting one logical bit and is used during program and verification operations. The ROM memory size is 8 kB.
- In Redundant Read Mode, two memory cells are accessed in parallel (wired-OR manner) and compared to a higher reference, which results in increased signal margins. Redundant Mode offers improvement for defective programmed cells only; there is no improvement for defective unprogrammed cells (leaky cells). In Redundant Mode, the memory is addressed by A[9:2,0]. Bit **A1** is ignored during read, but is used during program and verify operations. The ROM memory size is 8 kB.
- The memory can also operate in Differential-Redundant Mode utilizing four cells per logical bit of information. In Differential-Redundant Read Mode both address bits A[1:0] are ignored, but they are used for program and verification. The ROM memory size is 4 kB.
- The 8051 CPU can access the OTP in two ways. One is through the parallel interface, where the OTP looks like a regular ROM, with 8051 issuing program or data address, and data being accessed parallelly. The processor also has access to the OTP through a Serial Test Port interface for programming.

16.1 OTP ROM Test Registers Summary

The register addresses indicated below are offset address to XDATA base memory address A400h.

TABLE 16-1: OTP TEST REGISTERS MAP

| REGISTER NAME | XDATA ADDRESS | EC TYPE |
|--------------------|---------------|---------|
| OTP_SPECIAL | 0x00 ~ 0x0F | R/W |
| OTP_REDUNDANCY_REG | 0x20 ~ 0x2F | R/W |
| OTP_MODE_MRL | 0x30 | R/W |
| OTP_MODE_MRH | 0x31 | R/W |
| OTP_MODE_MRAL | 0x32 | R/W |
| OTP_MODE_MRAH | 0x33 | R/W |
| OTP_MODE_MRBL | 0x34 | R/W |
| OTP_MODE_MRBH | 0x35 | R/W |
| CPU_TCMD_REG | 0x36 | R/W |
| CPU_TCTL_REG | 0x37 | R/W |
| CPU_SHIFT_REG | 0x38 ~ 0x3B | R/W |
| Reserved | 0x3C ~ 0x3F | R |
| CPU_TDATA_REG | 0x40 ~ 0x4F | R/W |

16.2 OTP_ROM Description

The OTP ROM Non-Volatile Memory (NVM) is organized into a regular structure of rows and columns of memory cells. The memory array is further organized into two sectors and four banks. A sector has 512 words and occupies the A[8:0] address space. The address bit A9 selects the sectors.

To reduce programming time, all banks are programmed simultaneously (i.e., in parallel).

When all the bits are in un-programmed state, a read of all even address (A0=0) is 0, and a read of all odd address (A0=1) is 1.

Note: In SEC1110/SEC1210 Silicon *Anomaly 8*: when running code from OTP that updates the CPU and memory clock dividers, it must not be aligned to a 16 byte boundary. This is because 16 bytes of OTP is fetched at a 16-byte address boundary, and cached for subsequent code fetches. Hence, in SEC1110/SEC1210 chip, use the provided API function in ROM to perform the clock divider update. This function is 16-byte aligned, and ensures that when the write to the CPU and memory clock dividers occurs, an OTP fetch is from the cache and not the OTP ROM.

16.2.1 BOOT ROWS

In addition to the regular memory array, every sector includes 16 additional rows, called boot rows, for testing and memory bookkeeping purposes. The boot rows form non-continuous address spaces and are accessible when A10 is HIGH. The A10 pin selects between the two address spaces: the main memory address space and the boot address space. A typical boot space map is shown in [Table 16-2 on page 177](#). The lowest boot address of sector 0 and sector 1 are reserved for the power-up reset sequence with their content respectively loaded into the Special Register (sector 0) and the Redundancy Register (sector 1). The user should program these locations with the desired content for the Special and Redundancy registers.

The even locations in the boot rows other than location 0 and 2 can be used by the application either for testing or any specific purpose such as a scratch pad or memory book-keeping. The odd location in the boot row memory are read-only locations used as examples of Mask ROM. Locations 1,3,5,7, 9, and 11 are unprogrammed and read as all 1s, while locations 13 and 15 are programmed and read as all 0s.

All boot row reads are done in Single-Ended Mode even when the main NVM array is configured in Differential or Redundant Mode.

TABLE 16-2: BOOT BLOCK ADDRESS MAP FOR A10:=1

| WORD# | SECTOR ADDRESS A9 | A[8:4] | A[3:2] | A[1:0] | CONTENTS | PGM ACCESS | DATA ON ALL OUTPUTS |
|-------|-------------------|--------|--------|--------|---------------------------------|------------|---------------------|
| 0 | 0/1 | xxxxx | 00 | 00 | For Testing or User Application | yes | 0 or PGM. |
| 1 | 0/1 | xxxxx | 00 | 01 | Read Only, Unprogrammed | no | 1 |
| 2 | 0/1 | xxxxx | 00 | 10 | For Testing or User Application | yes | 0 or PGM. |
| 3 | 0/1 | xxxxx | 00 | 11 | Read Only, Unprogrammed | no | 1 |
| 4 | 0/1 | xxxxx | 01 | 00 | For Testing or User Application | yes | 0 or PGM. |
| 5 | 0/1 | xxxxx | 01 | 01 | Read Only, Unprogrammed | no | 1 |
| 6 | 0/1 | xxxxx | 01 | 10 | For Testing or User Application | yes | 0 or PGM. |
| 7 | 0/1 | xxxxx | 01 | 11 | Read Only, Unprogrammed | no | 1 |
| 8 | 0/1 | xxxxx | 10 | 00 | For Testing or User Application | yes | 0 or PGM. |
| 9 | 0/1 | xxxxx | 10 | 01 | Read Only, Unprogrammed | no | 1 |
| 10 | 0/1 | xxxxx | 10 | 10 | For Testing or User Application | yes | 0 or PGM. |
| 11 | 0/1 | xxxxx | 10 | 11 | Read Only, Unprogrammed | no | 1 |
| 12 | 0/1 | xxxxx | 11 | 00 | For Testing or User Application | yes | 0 or PGM. |
| 13 | 0/1 | xxxxx | 11 | 01 | Read Only, Unprogrammed | no | 0 |
| 14 | 0/1 | xxxxx | 11 | 10 | For Testing or User Application | yes | 0 or PGM. |
| 15 | 0/1 | xxxxx | 11 | 11 | Read Only, Unprogrammed | no | 0 |

SEC1110/SEC1210

16.2.2 REDUNDANT MODE

Redundant Mode (enabled by MR4) can be used in applications where the certainty of being able to program any information bit is required

The two words that store the information are located at A1=1 and A1=0. During a redundant mode read, the A1 address is ignored; however, A1 is needed during program and program-verify to access the 2 words individually. Program-verify is a programming step where the application sets up the macrocell to read in Single-Ended Mode using aggressive read voltage and timing to verify proper data storage. To ensure that the data will be read back reliably during operation, the same information should be stored into both A1 addresses, regardless of whether any cell is defective.

16.2.3 ROW REDUNDANCY

Redundant Mode can also be used with differential read, as Differential-Redundant Mode, in which case 4 cells would be used to store one information bit. The 4 cells reside in the A[1:0] address space 00b to 11b.

Row redundancy is a word-oriented repair mechanism. It can repair both defective programmed and unprogrammed cells, and can be used with all read modes: single-ended, differential, redundant, and differential-redundant.

Row redundancy can also be used to replace already programmed words in situations such as firmware update if the application does not use row redundancy for repairs.

The Redundancy Register (RR) is used to achieve row redundancy and defective word repairs in the NVM memory.

16.2.3.1 Redundant words

In each memory sector there are 16 redundant words (spare entries). To repair a defective word in a sector, the entire 16-word segment containing the defective word is replaced with the 16 redundant words (spare entries) in the same sector. The 16-word segments that can be replaced in the NVM memory are aligned on a 4-bit boundary (lowest 4 bits of address from 0x0 to 0xF). The Redundancy Register stores the addresses of defective 16-word segments in the different sectors.

Only one replacement of 16 words as a group can be made per sector. All 16 redundant words must be programmed with the data that would otherwise go to the normal words.

Typically, to program the redundant words the Mode register 'row redundancy access' bit (MR9) should be enabled. The normal words are disabled, and memory operations (program, program-verify, read) are performed only on the redundant words. In this case, the redundant words are addressed as follows: A10=0, A9 selects the sector, A[3:0] selects one of the 16 words, A[8:4] is ignored. Once redundant word programming has finished, disable the row redundancy access bit.

16.2.3.2 Redundancy Register (RR)

TABLE 16-3: OTP REDUNDANCY REGISTER

| OTP_REDUNDANCY_REG (0X20 ~ 0X2F - RESET = 0XXX) | | | OTP REDUNDANCY REGISTER |
|--|-------------|-----|---|
| BIT | NAME | R/W | DESCRIPTION |
| 7 | OTP_RR_S2 | R/W | Set to 0 |
| 6 | OTP_RR_A8 | R/W | A8 bit of defective word in sector |
| 5 | OTP_RR_A7 | R/W | A7 bit of defective word in sector |
| 4 | OTP_RR_A6 | R/W | A6 bit of defective word in sector |
| 3 | OTP_RR_BEMF | R/W | Byte Enable Master Fuse, when set to 1, indicates that the OTP_RR byte contains a valid address to be detected. When no detection is required, to prevent the RR byte from producing a match this bit should be set to 0. |
| 2 | OTP_RR_A5 | R/W | A5 bit of defective word in sector |
| 1 | OTP_RR_A4 | R/W | A4 bit of defective word in sector. |
| 0 | Not used | R/W | Not used. |

Each byte in the RR stores the address of a 16-word segment containing one or multiple defective words. A bit in each byte indicates when the stored address is valid. The addresses stored in the RR are used by the address comparator to detect defective rows to be replaced by the redundant words (spare entries). The number of bytes in the RR are 16.

Each byte in the RR corresponds to a memory sector. At power-up or macrocell reset, the RR is automatically loaded from boot rows 0 and 2 of sector 1 (A9=1, A[8:4]=xxxxx, A[3:0]=0/2) in Redundant Mode. Thus the addresses to be detected (defective 16-word segment addresses) must be programmed in boot rows 0 and 2 of sector 1 with the same data.

The RR byte at 0x20 must be used for repairs in sector 0, and RR at 0x21 must be used for repairs in sector 1.

The other redundant words (spare entries) RR bytes 0x22 ~ 0x2F can be used for other purposes such as extra storage, incremental memory updates/replacements, as long as bit 3 of these bytes are not programmed.

When boot rows 0 and 2 of sector 1 have never been programmed, such as during initial macrocell programming, the boot read sequence will load all zeros into RR. Thus bit 3 of all RR bytes will be zero and the address detector will not produce any matches even if the **RED_EN** port is high.

The RR bytes would be programmed at test time, if a defective bit is detected during cell stress test. If the OTP has no defects and the RR bytes are unprogrammed, repairs may be done by the customer for other purposes such as code patching.

16.2.3.3 Address detector

Row redundancy is enabled by setting the **RED_EN** pin HIGH. This pin enables the address comparator. The redundant addresses may be accessed by setting MR9 HIGH for programming or read operations.

The address comparator compares the input addresses against the defective 16-word segment addresses stored in the RR. When a match is found, the word at address A[3:0] in the spare 16-word segment is accessed instead of the normal memory array word.

For 128 Kbits OTP ROM, the sector bits S0=A9, S[2:0]=00.

16.2.4 SPECIAL REGISTERS

TABLE 16-4: OTP SPECIAL REGISTER

| OTP_SPECIAL (0X00 ~ 0X0F - RESET = 0XXX) | | | OTP SPECIAL REGISTERS |
|---|------------------|-----|-----------------------|
| BIT | NAME | R/W | DESCRIPTION |
| 7:0 | OTP_SPECIAL[7:0] | R | Special registers |

The OTP Special Register powers up in an *all HIGH* state and is loaded with the content of boot rows 0 and 2, sector 0 after a power-up or a RESET command. The SR may be used to control security lock, multiple-time programmability, encryption keys and other customer-defined functions.

The assignment of the Special Register bytes are shown in [Table 16-5, "OTP SR Byte Assignment," on page 180](#). The byte 0 location is registered in the OTP_CFG Register when the OTP is powered up the first time. Similarly bytes 1, and 2 are registered by the OSC_TEST_REGS, when the OTP is powered up the first time.

SEC1110/SEC1210

TABLE 16-5: OTP SR BYTE ASSIGNMENT

| BYTE | BITS | NAME | DESCRIPTION | |
|----------------------|------|------------------------|--|--|
| 0 | 7 | FORCE_OTP_ROM | 1 : Forces execution out of the OTP ROM irrespective of BOND2 value. 0 : Execute out of ROM or OTP_ROM, or external SPI2 depending on Table 7-1, "Code Execution Truth Table," on page 21. | |
| | 6 | OTP_ROM_EN | 1 : Forces execution out of the OTP ROM if BOND2 (i.e., EXT_SPI2_EN) is zero. 0 :Execute out of OTP ROM, or external SPI depending on BOND2 | |
| | 5 | JTAG_DIS | If this bit is programmed, then JTAG_CLK pin cannot be configured in JTAG Mode. OCDS debug access to 8051 CPU is disabled. LVJTAG access is also disabled. | |
| | 4:3 | Reserved | Reserved | |
| | 2:1 | LOCK[1:0] | Active high. Locks VPP switch in individual sectors 1 and 0. | |
| | 0 | MLOCK | Active high. Locks VPP switch to all sectors. | |
| | 1 | 7:0 | Reserved | Reserved field for test. This field is used for 48 MHz oscillator trim. |
| 2 | | 7:4 | Reserved | Reserved field for test. This field is used for Band Gap trimming. |
| | | 3:2 | Reserved | Reserved field for test |
| | 1:0 | Reserved | Reserved field for test. This field is used for 48 MHz oscillator trim. | |
| 3 | 7:0 | Reserved | Reserved field for test | |
| 4 | 7:0 | Reserved | Reserved field for test | |
| 5 | 7:0 | Reserved | Reserved field for test. | |
| 6 | 7:0 | Reserved | | |
| 7 | 7:0 | Reserved | Reserved field for test. | |
| 8 | 7:0 | Reserved | | |
| 9 | 7:0 | Reserved | Reserved field for test | |
| 10 | 7:0 | Reserved | | |
| 11 | 7:0 | Reserved | Reserved field for test. | |
| 12 13 14 15 | 7:0 | Reserved UNIQUE_SNO | Reserved field for test. This field is a Unique Serial number to make each die unique. | |

16.2.5 SERIAL TEST PORT INTERFACE

The test port is controlled by the following bits:

- **TSCK, TSI, TSO** (serial interface)
- **TCMD[2:0]** (test port instruction)
- **TRSTN** (asynchronous reset)
- **TCLRn** (asynchronous command clear)

The key objective for the test port design is to provide random access to the memory through a set of shift registers for testing and programming purposes. This is achieved by shifting in and out data, address and command synchronously with a serial clock. The length of all the registers is optimized for fastest test execution.

In addition, a burst mode is provided that allows the user to quickly scan, shift or compare all or selected memory addresses under control of the internal address counter. An example of a READ CLEAN ARRAY test program using the burst mode is provided later.

16.2.5.1 Serial Test Port Operations

The test port consists of an instruction decoder decoding the state of the test control pins **TCMD[2:0]**, a 6-bit command register (CMD), a 24-bit mode register (TMODE), a 24-bit shift register (SHIFT) and a variable length address register (ADDRESS). SERIAL CONTROL logic is used to provide serial data input and serial data output connection.

The following instructions are decoded from pins **TCMD[2:0]**: IDLE, DIRECT, SHIFT, UPDATE_MODE, UPDATE_ADDR, ROTATE, UPDATE_CMD, INC_ADDR. [Table 16-6, "TCMD\[2:0\] Instruction Decoder," on page 181](#) lists all valid instruction codes.

The shift register is controlled by the serial clock **TSCK** (through **JTAG_CLK**) while the **SHIFT** instruction is decoded. The MSB is shifted first. The **CMD**, **ADDRESS** and **TMODE** registers are updated with the contents of the **SHIFT** register synchronously with **TSCK** upon decoding the **UPDATE_CMD**, **UPDATE_ADDR** and **UPDATE_MODE** instructions respectively. The mapping of the shift register bits to **CMD**, **ADDRESS**, **TMODE** bits is shown in [Table 16-7, "TEST PORT Registers Mapping," on page 182](#). The 8051 CPU has parallel access to the shift register through **CPU_SHIFT_REG** Register.

The **CMD** Register controls the macrocell commands: **READ**, **WRITE**, **PGM**, **PCH**, **COMP** and **RESET**. The state of the **CMD** Register is synchronously with **TSCK** cleared by the **IDLE** instruction and asynchronously cleared by the **TCLRn** pin **LOW**. The 8051 CPU has parallel access to the command register through **CPU_TCMD_REG** Register.

The **TMODE** Register controls macrocell control inputs. In addition, it controls the output **TSO** (to **JTAG_TDO**) multiplexer and a special burst/increment access mode.

The **DIRECT**, **ROTATE** instructions provide control asynchronously for the macrocell **SEN** pin. **DIRECT** instruction connects the **TSCK** and **TSI** to macrocell serial port pins **SCK** and **SI**, which allows for direct serial access to the macrocell **DATA REGISTER** and macrocell **MODE REGISTER**. The **ROTATE** instruction connects the **SO** macrocell output to **SI** macrocell input and connects the **TSCK** to macrocell **SCK** input.

The **IDLE** command clears the macrocell command register at the positive edge of the **TSCK** clock. The **INC_ADDR** command acts like the **IDLE** command but increments the address by 1 or 2 depending on the **INC2** bit in the Test Mode Register.

If **INC2** = 0, **addr** = **addr** + 1

If **INC2** = 1, **addr** = **addr** + 2

The tables below provides detail description for instruction set, registers mapping, burst and output **TSO** mux operation.

TABLE 16-6: TCMD[2:0] INSTRUCTION DECODER

| TCMD[2:0] | DECODED STATE | DESCRIPTION |
|-----------|---------------|--|
| 000 | IDLE | Reset CMD Register, increment ADDR if BURST0 and READ are active |
| 001 | DIRECT | Macro SEN=HIGH, SCK=TSCK, SI=TSI |
| 010 | SHIFT | Shift data in SHIFT Register by positive edge of TSCK |
| 011 | UPDATE_TMODE | Update TMODE Register by positive edge of TSCK |
| 100 | UPDATE_ADDR | Update ADDR Register by positive edge of TSCK |
| 101 | ROTATE | Macro SEN=HIGH, SCK=TSCK, SI=SO |
| 110 | UPDATE_CMD | Update CMD Register by positive edge of TSCK |
| 111 | INC_ADDR | Reset CMD Register, increment ADDR |

SEC1110/SEC1210

TABLE 16-7: TEST PORT REGISTERS MAPPING

| SHIFT | TMODE REGISTER | CMD REGISTER | ADDRESS REGISTER |
|-------|----------------|--------------|------------------|
| SR0 | TSO_SEL0 | COMP | A0 |
| SR1 | TSO_SEL1 | PCH | A1 |
| SR2 | TSO_SEL2 | PGM | A2 |
| SR3 | BURST0 | READ | A3 |
| SR4 | BURST1 | WRITE | A4 |
| SR5 | INC2 | RESET | A5 |
| SR6 | MODE_SEL | | A6 |
| SR7 | RESET_M | | A7 |
| SR8 | AUX_UPDATE | | A8 |
| SR9 | MACRO_SEL | | A9 |
| SR10 | PWR_DOWN | | A10 |
| SR11 | MLOCK | | |
| SR12 | BIT_LOCK0 | | |
| SR13 | BIT_LOCK1 | | |
| SR14 | BIT_LOCK2 | | |
| SR15 | RED_EN | | |
| SR16 | PWRUP_ENB | | |
| SR17 | LOAD_QR | | |
| SR18 | QS_TEST | | |
| SR19 | PUP_DIS | | |
| SR20 | P_START | | |
| SR21 | ALL_BANKS | | |
| SR22 | MRB | | |
| SR23 | MRA | | |
| SR24 | AB0 | | |
| SR25 | AB1 | | |
| SR[26 | AB2 | | |
| SR27 | Reserved | | |
| SR28 | Reserved | | |
| SR29 | Reserved | | |
| SR30 | Reserved | | |
| SR31 | Reserved | | |

TABLE 16-8: TSO OUTPUT MULTIPLEXER DESCRIPTION BURST CONTROL TABLE

| TSO_SEL[2:0] | TSO FUNCTION | TSO_SEL[2:0] | TSO FUNCTION |
|--------------|--------------|--------------|--------------|
| 000 | STATUS | 100 | PWR_UP |
| 001 | SO | 101 | VPP_MON |
| 010 | A10 | 110 | STATUS |
| 011 | STATUS | 111 | STATUS |

| BURST[1:0] | FUNCTION |
|------------|-----------|
| 00 | no |
| 01 | READ |
| 10 | no |
| 11 | READ/COMP |

16.2.6 PARALLEL ACCESS TO TEST PORT INTERFACE

Parallel access for the 8051 CPU. This enables parallel writes to the OTP Data and Mode registers.

16.2.6.1 OTP CPU Test Port Command Instruction Register

TABLE 16-9: CPU TEST PORT COMMAND INSTRUCTION REGISTER

| CPU_TCMD_REG (0X36 - RESET = 0X10) | | | OTP TEST PORT COMMAND REGISTER |
|---------------------------------------|-----------|-----|---|
| BIT | NAME | R/W | DESCRIPTION |
| 7:5 | Reserved | R | Always read as 0 |
| 4 | TRSTN | R/W | OTP Test Port reset of TMODE, CMD, SHIFT registers. |
| 3 | TCLRn | R/W | OTP Test Port clear of the command register. |
| 2:0 | TCMD[2:0] | R/W | OTP Test Port Command instruction |

16.2.6.2 OTP CPU Test Port Control Register

TABLE 16-10: CPU TEST PORT CONTROL REGISTER

| CPU_TCTL_REG (0X37 - RESET = 0X00) | | | OTP TEST PORT CONTROL REGISTER |
|---------------------------------------|------------|-----|--|
| BIT | NAME | R/W | DESCRIPTION |
| 7 | COUNT_EN | R/W | Generate clocks in TSCK, COUNT times. If this bit is set, TSCK is generated every CPU clock and COUNT field is decrement by one; until COUNT field becomes zero. |
| 6:0 | COUNT[5:0] | R/W | Indicated number of TSCK clocks to generate |

16.2.6.3 OTP CPU Test Port Shift Register

TABLE 16-11: CPU TEST PORT SHIFT REGISTER

| CPU_SHIFT_REG (0X38 ~ 0X3B- RESET = 0X00) | | | OTP TEST PORT SHIFT REGISTER |
|--|--------------|-----|--|
| BYTE | NAME | R/W | DESCRIPTION |
| 0 | SHIFT[7:0] | R/W | OTP Test Port Shift register. The mapping of shift register bits to TMODE, CMD, ADDRESS registers of OTP is shown in Table 16-7, "TEST PORT Registers Mapping," on page 182. |
| 1 | SHIFT[15:8] | R/W | |
| 2 | SHIFT[23:16] | R/W | |
| 3 | SHIFT[31:24] | R/W | |

SEC1110/SEC1210

16.2.6.4 OTP CPU Test Port Status Register

TABLE 16-12: CPU TEST PORT STATUS REGISTER

| CPU_TP_STATUS_REG (0X3C ~ 0X3C- RESET = 0X00) | | | OTP TEST PORT STATUS REGISTER |
|--|-------------|-----|--|
| BIT | NAME | R/W | DESCRIPTION |
| 7:5 | Reserved | R | Always read as 0 |
| 4 | OTP_TSO | R | Indicates the Test Port TSO value. |
| 3 | OTP_SO | R | Serial data output from DATA/MODE REGISTER |
| 2 | OTP_STATUS | R | Active high. Comparator output. |
| 1 | OTP_VPP_MON | R | Active high. If enabled (HIGH), indicates that VPP is applied. |
| 0 | OTP_PWR_UP | R | Active high Power-up reset output. HIGH when power detected. Status bit, used by ROM firmware to ensure OTP is working. |

The writes to OTP_TDATA_REG[7:0] at 0x40 offset (OTP_TDATA_REG at 0x41 to 0x4F must have been written earlier), cause this data to be input to OTP, and the WRITE command to be pulsed (a single ref_clk).

The bits in TMODE register must have been updated by the firmware by writing to the CPU_SHIFT register and UPDATE_MODE command before any of the Mode register writes.

The reads to any register in OTP_TDATA_REG causes the current internal OTP data register values to be provided to the CPU.

16.2.6.5 Mode Register (MR)

The Mode Register controls all internal references needed for read, program, verify and test operations. The RESET_M command resets the Mode Register to its default settings. The **MODE_SEL** pin selects between the Data Register and the Mode Register for serial shift and parallel write access. Both registers have common serial input and output (SI,SO) pins, but they have separate parallel data input and output buses.

The hardware asserts RESET for a clock (clk48) to the OTPROM to reset the MR, MRA, MRB registers, to be ready for Functional Mode.

TABLE 16-13: OTP MODE REGISTER LSB

| OTP_MODE_MRL (0X30 - RESET = 0X00) | | | OTP MODE REGISTER LSB |
|---------------------------------------|---------|-----|-----------------------|
| BIT | NAME | R/W | DESCRIPTION |
| 7:0 | MR[7:0] | R/W | Microchip use only. |

TABLE 16-14: OTP MODE REGISTER MSB

| OTP_MODE_MRH (0X31 - RESET = 0X00) | | | OTP MODE REGISTER MSB |
|---------------------------------------|----------|-----|-----------------------|
| BIT | NAME | R/W | DESCRIPTION |
| 7:0 | MR[15:8] | R/W | Microchip use only. |

16.2.6.6 Auxiliary Mode Register (MRA and MRB)

In addition to the main Mode Register (MR), OTP macrocells are equipped with Auxiliary Mode Registers (MRA and MRB) controlling internal voltage regulators and charge pumps. These registers are accessed using AUX_UPDATE command and the MRA and MRB settings.

TABLE 16-15: OTP MODE A REGISTER LSB

| OTP_MODE_MRAL (0X32 - RESET = 0X00) | | | OTP MODE A REGISTER LSB |
|--|----------|-----|-------------------------|
| BIT | NAME | R/W | DESCRIPTION |
| 7:0 | MRA[7:0] | R/W | Microchip use only. |

TABLE 16-16: OTP MODE A REGISTER MSB

| OTP_MODE_MRAH (0X33 - RESET = 0X00) | | | OTP MODE A REGISTER MSB |
|--|-----------|-----|-------------------------|
| BIT | NAME | R/W | DESCRIPTION |
| 7:0 | MRA[15:8] | R/W | Microchip use only. |

TABLE 16-17: OTP MODE B REGISTER LSB

| OTP_MODE_MRBL (0X34 - RESET = 0X00) | | | OTP MODE B REGISTER LSB |
|--|----------|-----|-------------------------|
| BIT | NAME | R/W | DESCRIPTION |
| 7:0 | MRB[7:0] | R/W | Microchip use only. |

TABLE 16-18: OTP MODE B REGISTER MSB

| OTP_MODE_MRBH (0X35 - RESET = 0X00) | | | OTP MODE B REGISTER MSB |
|--|---------|-----|-------------------------|
| BIT | NAME | R/W | DESCRIPTION |
| 15:0 | MRB15:0 | R/W | Microchip use only. |

The writes to OTP_MODE_MRL (OTP_MODE_MRH must have been written earlier), cause this data to be input to OTP, and the WRITE command to be pulsed (a single ref_clk).

Similarly, the writes to OTP_MODE_MRAL (OTP_MODE_MRAH must have been written earlier), cause this data to be input to OTP, and the WRITE command to be pulsed (a single ref_clk).

The writes to OTP_MODE_MRBL (OTP_MODE_MRBH must have been written earlier), cause this data to be input to OTP, and the WRITE command to be pulsed (a single ref_clk).

The bits in TMODE register must have been updated by the firmware by writing to the CPU_SHIFT register and UPDATE_MODE command before any of the Mode register writes.

The reads to OTP_MODE_MRH or OTP_MODE_MRL causes the current internal OTP Mode Register values to be updated to these registers, and provided to the CPU.

The reads to OTP_MODE_MRAH or OTP_MODE_MRAL causes the current internal OTP Mode Register A values to be updated to these registers, and provided to the CPU.

The reads to OTP_MODE_MRBH or OTP_MODE_MRBL causes the current internal OTP Mode Register B values to be updated to these registers, and provided to the CPU.

SEC1110/SEC1210

16.2.7 MEMORY COMMANDS

16.2.7.1 WRITE Command

The user has full access to the Data and Mode registers through the parallel input/output ports using SHIFT and WRITE commands. The WRITE command loads asynchronously data into the Data Register (or Mode Register). The selection between the Data and Mode registers is done with the **MODE_SEL** bit. During programming, the SHIFT or WRITE commands are used to write data into the Data Register, which is then programmed into the NVM memory array using the PROGRAM command. The commands are also used to setup the different registers (MR, MRA, MRB) of the SiPROM macrocell.

16.2.7.2 SHIFT Command

The OTP ROM macrocell interface is implemented as a serial/parallel input/output interface to the shift registers (Data/Mode registers). The SHIFT command interface includes the Shift Clock (SCK), the Shift Enable (SEN), the Shift Input (SI) and the Shift Output (SO) pins. Bits are shifted serially through the SI pin into the Most Significant Bit (MSB) of the Data/Mode Register. All bits inside the Data/Mode Register are shifted by one position lower at each SCK period when SEN is held high. The Least Significant Bit (LSB) of the Data/Mode Register is output on the SO pin. All bits are shifted synchronously with the SCK clock.

The selection between the Data and Mode registers is done with the **MODE_SEL** signal.

16.2.7.3 READ Command

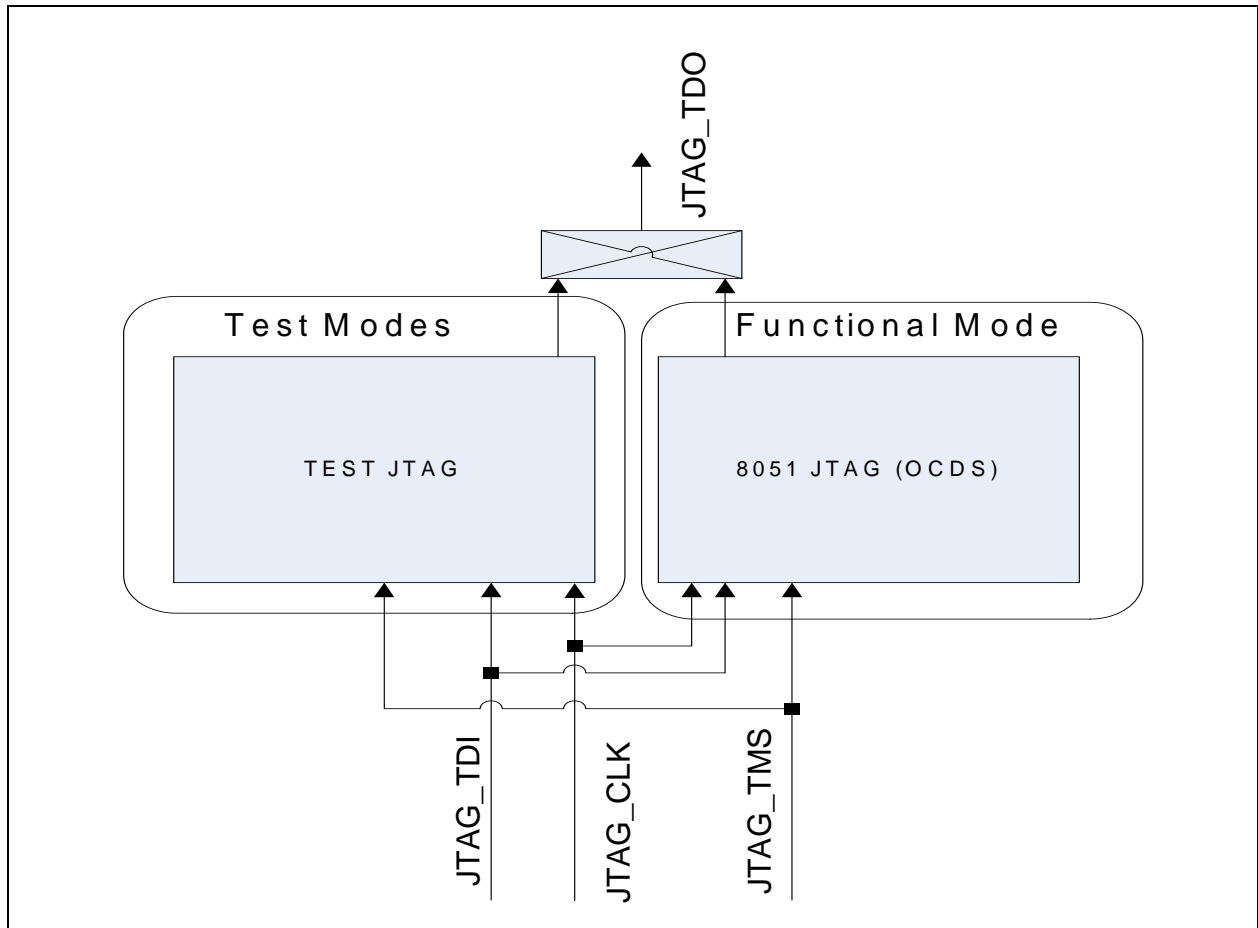
The READ command asynchronously transfers data from the memory location addressed by the **A[10:0]** pins to the Data Register output latch, without overriding the input latch set by the WRITE or SHIFT commands. Once retrieved, the data is available on the parallel outputs Q[127:0] or can be shifted out through the SO pin using the serial clock SCK and SHIFT command.

The READ command is externally controlled by the READ pulse width.

17.0 TEST MODES, JTAG, AND XNOR

There are two JTAG controllers in parallel, one for 8051 CPU Functional Mode and one for test modes. Only one of them is active at any time, depending on the mode of operation.

FIGURE 17-1: JTAG TEST BLOCK DIAGRAM



17.1 Functional 8051 JTAG Capabilities

- Fully compliant with IEEE1149.1 standard
- 4-bit Instruction Register
- Standard 1-bit BYPASS register
- Standard 32-bit IDCODE register
- Four JTAG registers give access to on-chip memory and register resources
- Boundary Scan for the chip

SEC1110/SEC1210

18.0 DC PARAMETERS

18.1 Maximum Ratings

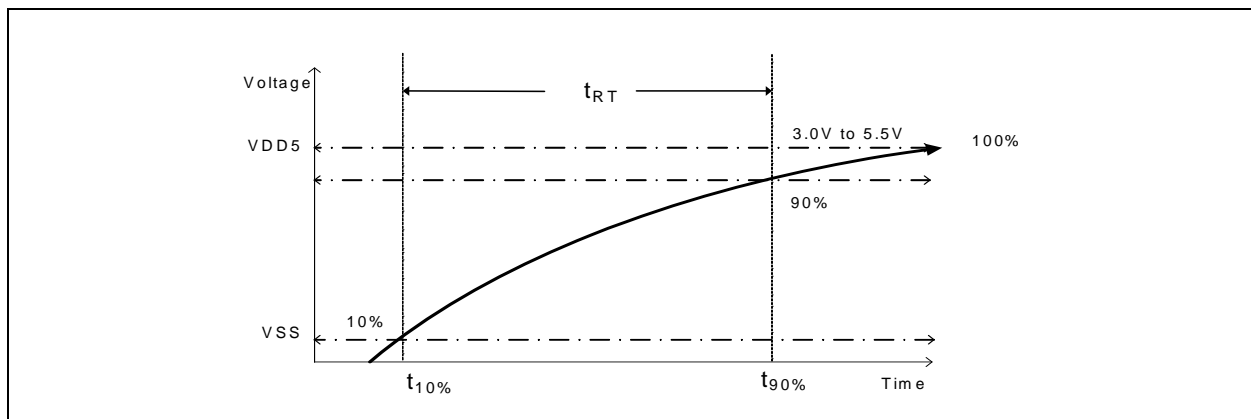
| PARAMETER | SYMBOL | MIN | MAX | UNITS | COMMENTS |
|-----------------------------------|------------|------|-----------------------|-------|---|
| Storage Temperature | T_{STOR} | -55 | 150 | °C | |
| Lead Temperature | | | | °C | Refer to JEDEC Specification J-STD-020D |
| VDD5 supply voltage | V_{DD5} | -0.3 | 5.5 | V | |
| Voltage on USB_DP and USB_DM pins | | -0.3 | 3.6 | V | 3.3 V \pm 10%. |
| Voltage on RESET_N | | 0 | V_{DD5} (Note 18-3) | V | This pin may be connected to VDD5 externally (optionally to a RC circuit), or is between 3.0 to VDD5 indefinitely, without damage to the device as long as V_{DD5} are less than 5.5 V and T_A is less than 70°C. |
| Voltage on any signal pin | | -0.3 | 5.5 | V | <ul style="list-style-type: none"> Positive Voltage on any signal pin, with respect to Ground 5.5 V Negative Voltage on any pin, with respect to Ground-0.3 V Maximum VDD5, +5.5 V |

Note 18-1 Stresses above the specified parameters may cause permanent damage to the device. This is a stress rating only. Functional operation of the device at any condition above those indicated in the operation sections of this specification is not implied.

Note 18-2 When powering this device from laboratory or system power supplies the Absolute Maximum Ratings must not be exceeded or device failure can result. Some power supplies exhibit voltage spikes on their outputs when the AC power is switched on or off. In addition, voltage transients on the AC power line may appear on the DC output. When this possibility exists, a clamp circuit should be used.

Note 18-3 RESET_N should not be set HIGH (e.g., 5.5 V) if VDD5 is 0 as the circuit will not be reliable.

FIGURE 18-1: SUPPLY RISE TIME MODELS



18.2 Operating Conditions

| PARAMETER | SYMBOL | MIN | MAX | UNITS | COMMENTS |
|-----------------------------------|-----------|-----------|--------------------------|-------|--|
| Operating Temperature | T_A | Note 18-1 | Note 18-2 | °C | Ambient temperature in air. |
| 5.0 V supply voltage | V_{DD5} | 3.6 | 5.5 | V | This pin may be connected to VBUS of USB. To support Class A Smart Card a 4.8 V minimum is required which may not be met by VBUS. |
| VDD5 supply rise time | t_{RT} | 400 | | ns | (Figure 18-1) |
| Voltage on USB_DP and USB_DM pins | | 3.0 | 3.6 | V | If VDD5 drops below 3.6 V, then the MAX becomes V_{DD5} |
| Voltage on RESET_N | | 0 | V_{DD5} (Note 18-3) | V | This pin may be connected to VDD5 externally (optionally to a RC circuit), or is between 3.0 to VDD5. indefinitely, without damage to the device as long as V_{DD5} are less than 5.5 V and T_A is less than 70°C. |
| Voltage on any signal pin | | -0.3 | 5.5 | V | Other than USB_DP, USB_DM, Smart Card pins, RESET_N |

Note 18-1 0°C for commercial, -40°C for industrial.

Note 18-2 +70°C for commercial, +85°C for industrial.

18.3 DC Electrical Characteristics

($T_A = 0^\circ\text{C} - 70^\circ\text{C}$, $V_{DD5} = +3.6\text{ V to }+5.5\text{ V}$, unless otherwise noted)

| PARAMETER | SYMBOL | MIN | TYP | MAX | UNITS | COMMENTS |
|------------------------------------|------------|------------------|------|------|---------------|---|
| I/O8PUD Type Bidir Pad | | | | | | |
| Low Output Level | V_{OL} | - | - | 0.4 | V | $I_{OL} = -8\text{ mA}$ |
| High Output Level | V_{OH} | $V_{DD33} - 0.4$ | - | - | V | $I_{OH} = 8\text{ mA}$ |
| 8 mA I/O sinking current | I_{OL8} | 8.3 | 12.6 | 18.4 | mA | $V_{OUT} = 0.4\text{ V}$ |
| 8 mA I/O sinking output impedance | R_{OL8} | 21.7 | 31.6 | 48.3 | Ω | $V_{OUT} = 0.4\text{ V}$ |
| 8 mA I/O sourcing current | I_{OH8} | 8.1 | 11.6 | 16 | mA | $V_{OUT} = V_{DD33} - 0.4\text{ V}$ |
| 8 mA I/O sourcing output impedance | R_{OH8} | 25 | 34.6 | 50 | Ω | $V_{OUT} = V_{DD33} - 0.4\text{ V}$ |
| Output Leakage | I_{IH5} | 1.4 | 8 | 1 | μA | $V_{IN} = 0\text{ to }V_{DD33}, 27^\circ\text{C}$ |
| | | | | 12 | μA | $V_{IN} = 0\text{ to }5.5\text{ V}, 27^\circ\text{C}$ |
| | | | | 20 | μA | $V_{IN} = 0\text{ to }5.5\text{ V}, 85^\circ\text{C}$ |
| | | | | 80 | μA | $V_{IN} = 0\text{ to }5.5\text{ V}, 125^\circ\text{C}$ (Note 18-3) |
| Low Input Level | V_{IL} | -0.3 | - | 0.8 | V | |
| High Input Level | V_{IH5} | 2.0 | - | 5.5 | V | |
| Hysteresis | V_{HYSI} | 336 | 399 | 459 | mV | |
| Pull-Down | R_{DPD} | 46 | 65 | 90 | $k\Omega$ | Condition $V_{pad} = V_{DD33}$ |
| | I_{DPD} | 33 | 50 | 79 | μA | |
| Pull-Up | R_{DPU} | 53 | 66 | 80 | $k\Omega$ | Condition $V_{pad} = 0\text{ V}$ (Note 18-8) |
| | I_{DPU} | 38 | 50 | 68 | μA | |

SEC1110/SEC1210

| PARAMETER | SYMBOL | MIN | TYP | MAX | UNITS | COMMENTS |
|--|---------------------|-----|------|------|-------|---|
| IO-U (Note 18-5) | | | | | | USB (Note 18-5) (Note 18-6) |
| RESET_N Rise Time | Trst_r | 100 | | | ns | RESET_N pad |
| RESET_N Fall Time | Trst_f | 100 | | | ns | (Note 18-3) |
| RESET_N Low Input level | V _{ILRST} | | | 0.1 | V | RESET_N low causes STOP mode entry |
| Oscillator 48/8/4 MHz accuracy -40 < T < 125 °C 3.6 < VDD5 < 6.8 V | F _{48acc} | | 0.1 | 0.2 | % | Internal oscillator @ 48 MHz with USB Dynamic Trim enabled |
| | F _{48accd} | | 0.82 | 1.5 | % | Internal oscillator @ 48 MHz without USB Dynamic Trim enabled |
| | F _{8acc} | | 0.78 | 1.83 | % | Internal oscillator @ 8 MHz |
| | F _{4acc} | | 0.78 | 1.83 | % | Internal oscillator @ 4 MHz |

Note 18-3 Output leakage is measured with the current pins in high impedance.

Note 18-4 See Chapter 7, *USB Specification Revision 2.0* for USB DC electrical characteristics.

Note 18-5 See the *USB 2.0 Specification*, Chapter 7, for USB DC electrical characteristics.

Note 18-6 The minimum VDD5 voltage necessary for proper operation of USB is 3.6 V.

Note 18-7 The USB suspend mode current I_{CSBY} includes the current drawn through the USB_DP pin, which is mandatory to indicate it is connected as a 12 Mbps device.

Note 18-8 Pull-up and pull-down impedances change with pad output voltage due to 5 V protection circuitry, the voltage measured on a 5 V tolerant I/O pad during pull-up is a volt tolerant below VDD33.

Note 18-9 See the ISO/IEC7816-3 Third Edition 2006-11-01, Section 5.2 for Smart Card electrical characteristics.

Note 18-10 See the EMV 4.3 Specification for Smart Card Test and compliance setup.

Note 18-11 See the GSM Specification for Smart Card Test and compliance setup.

Note 18-12 All signal pins are 5 V tolerant

| PARAMETER | SYMBOL | MIN | TYP | MAX | UNITS | COMMENTS |
|---|--|------|--------------|------------------------------------|-------|--|
| Smart Card SC1_VCC, SC2_VCC Regulator Output (IEC7816-3 Class A/B/C) | | | | | | |
| Smart Card Power Supply Voltage | V _{SC1_VCC} , V _{SC2_VCC} | 4.6 | VDD5- 0.2 | min ((VDD5- 0.285), 5.25) | V | Class A mode, I _{SC1_VCC} = 0 to 55 mA Note 18-13 |
| | | 2.76 | 3.0 | 3.24 | V | Class B mode |
| | | 1.66 | 1.8 | 1.94 | V | Class C mode |
| Smart Card Power Supply current | I _{SC1} , I _{SC2} | | | 55 | mA | Class A/B/C |
| Smart Card Over Current Sense (OCS) Detection | I _{OCS1} , I _{OCS2} | 110 | | | mA | |
| Detection Time on OCS | t _{OCSDET} | | | 1 | μs | |
| SC1_VCC/SC2_VCC Turn Off Time | t _{SCOFF} | | | 5 | ms | SEC1110/SEC1210 A1 version Note 18-14 |
| | | | | 500 | μs | All Later versions |
| SC1_VCC/SC2_VCC Turn On Time | t _{SCON} | | | 1 | ms | 1.0 μF load Note 18-14 |

SEC1110/SEC1210

| PARAMETER | SYMBOL | MIN | TYP | MAX | UNITS | COMMENTS |
|---|----------------|------------------------------|------|----------------------------|-------|--|
| Smart Card SC1_CLK/SC2_CLK Pin | | | | | | |
| SC1_CLK, SC2_CLK Low Output Level at $V_{SC1_VCC}/V_{SC2_VCC}=\min$ @ $C_L=30\text{pF}$ Note 18-15 | V_{OL} | 0 | | 0.4 | V | Class A: SEC1110/SEC1210 A1 version: $100\mu\text{A} < I_{OL} < 0$, All Later versions: $I_{OLmax} = -1 \text{ mA @ } 125^\circ\text{C}$ |
| | | 0 | | 0.4 | V | Class B: SEC1110/SEC1210 A1 version: $100\mu\text{A} < I_{OL} < 0$, Later versions: $I_{OLmax} = -1 \text{ mA @ } 125^\circ\text{C}$ |
| | | 0 | | 0.15 V_{SCx_VC} C | V | Class C: SEC1110/SEC1210 A1 version: $100\mu\text{A} < I_{OL} < 0$, Later versions: $I_{OLmax} = -1 \text{ mA @ } 125^\circ\text{C}$ |
| SC1_CLK, SC2_CLK High Output Level at $V_{SC1_VCC}/V_{SC2_VCC}=\min$ @ $C_L=30\text{pF}$ Note 18-16 | V_{OH} | V_{SCx_VC} C - 0.5V | | V_{SCx_VC} C | V | Class A $0 < I_{OH} < +961\mu\text{A @ } 125^\circ\text{C}$ |
| | | 0.8 V_{SCx_VC} C | | V_{SCx_VC} C | V | Class B $0 < I_{OH} < +777\mu\text{A @ } 125^\circ\text{C}$ |
| | | 0.8 V_{SCx_VC} C | | V_{SCx_VC} C | V | Class C $0 < I_{OH} < +305\mu\text{A @ } 125^\circ\text{C}$ |
| SC1_CLK, SC2_CLK Rise/Fall Time | t_R | 9.9 | 13 | 16.67 | ns | @ $C_L = 30 \text{ pF}$, $R_{load}=33 \Omega$, Class A/B/C |
| | t_F | 6.5 | 10 | 16.2 | ns | |
| SC1_CLK, SC2_CLK Clock Accuracy | | - | 0.1 | 0.25 | % | USB Dynamic Trimming is on |
| | | - | 0.82 | 1.5 | % | USB Dynamic trim is off. Same as $F_{48\text{accd}}$ |
| SC1_CLK, SC2_CLK Clock Duty Cycle | | 48 | | 52 | % | Oscillator in 48 MHz mode. |
| SC1_CLK, SC2_CLK Frequency | F_{SCx_CLK} | 1 | | 4.8 | MHz | Generated by dividing 48 MHz by an integer ranging from 10 to 48. |

SEC1110/SEC1210

| PARAMETER | SYMBOL | MIN | TYP | MAX | UNITS | COMMENTS |
|--|----------|------------------------------|-----|----------------------------|-------|--|
| Smart Card SC1_RST/ SC2_RST Pin | | | | | | |
| SC1_RST, SC2_RST Low Output Level at $V_{SC1_VCC}/V_{SC2_VCC}=\min$ @ $C_L=30\text{pF}$ Note 18-15 | V_{OL} | 0 | | 0.4 | V | Class A: SEC1110/SEC1210 A1 version: $100\mu\text{A} < I_{OL} < 0$, All Later versions: $I_{OLmax} = -1 \text{ mA @ } 125^\circ\text{C}$ |
| | | 0 | | 0.4 | V | Class B: SEC1110/SEC1210 A1 version: $100\mu\text{A} < I_{OL} < 0$, Later versions: $I_{OLmax} = -1 \text{ mA @ } 125^\circ\text{C}$ |
| | | 0 | | 0.15 V_{SCx_VC} C | V | Class C: SEC1110/SEC1210 A1 version: $100\mu\text{A} < I_{OL} < 0$, Later versions: $I_{OLmax} = -1 \text{ mA @ } 125^\circ\text{C}$ |
| SC1_RST, SC2_RST High Output Level at $V_{SC1_VCC}/V_{SC2_VCC}=\min$ @ $C_L=30\text{pF}$ Note 18-16 | V_{OH} | V_{SCx_VC} C - 0.5V | | V_{SCx_VC} C | V | Class A $0 < I_{OH} < +800 \mu\text{A}$ @ 125°C |
| | | 0.8 V_{SCx_VC} C | | V_{SCx_VC} C | V | Class B $0 < I_{OH} < +870 \mu\text{A}$ @ 125°C |
| | | 0.8 V_{SCx_VC} C | | V_{SCx_VC} C | V | Class C $0 < I_{OH} < +333 \mu\text{A}$ @ 125°C |
| SC1_RST, SC2_RST Rise/Fall Time | t_R | 32 | | 250 | ns | @ $C_L = 30 \text{ pF}$, Rload=33 Ω , Class A/B/C |
| | t_F | 32 | | 800 | ns | |
| Smart Card SC1_IO/ SC2_IO, SC1_C4, SC1_C8 Pins | | | | | | |
| SC1_IO/ SC2_IO, SC1_C4, SC1_C8 Low Output Level at $V_{SC1_VCC}/V_{SC1_VCC}=\min$ @ $C_L=30\text{pF}$ Note 18-15 | V_{OL} | 0 | | 0.4 | V | Class A: SEC1110/SEC1210 A1 version: $100\mu\text{A} < I_{OL} < 0$, All Later versions: $I_{OLmax} = -1 \text{ mA @ } 125^\circ\text{C}$ |
| | | 0 | | 0.4 | V | Class B: SEC1110/SEC1210 A1 version: $100\mu\text{A} < I_{OL} < 0$, Later versions: $I_{OLmax} = -1 \text{ mA @ } 125^\circ\text{C}$ |
| | | 0 | | 0.15 V_{SCx_VC} C | V | Class C: SEC1110/SEC1210 A1 version: $100\mu\text{A} < I_{OL} < 0$, Later versions: $I_{OLmax} = -1 \text{ mA @ } 125^\circ\text{C}$ |

SEC1110/SEC1210

| PARAMETER | SYMBOL | MIN | TYP | MAX | UNITS | COMMENTS |
|---|-----------|---------------------------|-------|-----------------------------|------------|---|
| SC1_IO/ SC2_IO, SC1_C4, SC1_C8 High Output Level at $V_{SC1_VCC}/V_{SC1_VCC}=\min$ @ $C_L=30\text{pF}$ Note 18-16 | V_{OH} | $0.8V_{SCx_VCC}$ | | V_{SCx_VC} C | V | Class A $0 < I_{OH} < +1.56 \text{ mA}$ @ 125°C |
| | | $0.8V_{SCx_VCC}$ | | V_{SCx_VC} C | V | Class B $0 < I_{OH} < +785 \mu\text{A}$ @ 125°C |
| | | $0.8V_{SCx_VCC}$ | | V_{SCx_VC} C | V | Class C $0 < I_{OH} < +307 \mu\text{A}$ @ 125°C |
| SC1_IO/ SC2_IO, SC1_C4, SC1_C8 Rise/Fall time | t_R | 32 | | 237 | ns | @ $C_L = 30 \text{ pF}$, $R_{load}=33 \Omega$, Class A/B/C |
| | t_F | 32 | | 374 | ns | |
| SC1_IO/ SC2_IO, SC1_C4, SC1_C8 Low Input Level @ $I_{IL} = -20\mu\text{A}$ @ $C_L=30\text{pF}$ Note 18-17 | V_{IL} | -0.3 | | 0.2 V_{SCx_VC} C | V | Class A: SEC1110/SEC1210 A1 version: $100\mu\text{A} < I_{OL} < 0$, All Later versions: $I_{OLmax} = -1 \text{ mA}$ @ 125°C |
| | | -0.3 | | 0.2 V_{SCx_VC} C | V | Class B: SEC1110/SEC1210 A1 version: $100\mu\text{A} < I_{OL} < 0$, Later versions: $I_{OLmax} = -1 \text{ mA}$ @ 125°C |
| | | -0.3 | | 0.5 | V | Class C: SEC1110/SEC1210 A1 version: $100\mu\text{A} < I_{OL} < 0$, Later versions: $I_{OLmax} = -1 \text{ mA}$ @ 125°C |
| SC1_IO/ SC2_IO, SC1_C4, SC1_C8 High Input Level @ $I_{IH} = +20\mu\text{A}$ @ $C_L=30\text{pF}$ Note 18-17 | V_{IH} | 0.6 V_{SCx_VC} C | | V_{SCx_VC} C + 0.3 | V | Class A $0 < I_{OH} < +1.56 \text{ mA}$ @ 125°C |
| | | 0.6 V_{SCx_VC} C | | V_{SCx_VC} C + 0.3 | V | Class B $0 < I_{OH} < +785 \mu\text{A}$ @ 125°C |
| | | 0.6 V_{SCx_VC} C | | V_{SCx_VC} C + 0.3 | V | Class C $0 < I_{OH} < +307 \mu\text{A}$ @ 125°C |
| All Smart Card Signal Pins | | | | | | |
| Pull-up Resistor | R_{PU1} | 16.39 | 20 | 24.19 | k Ω | Only for SC1_IO, SC2_IO, SC1_C4, SC1_C8 |
| | R_{PU2} | 9.01 | 11.14 | 13.25 | k Ω | |
| Pull-down Resistor | R_{PD} | 54.55 | 67 | 79.78 | k Ω | Used in GPIO mode |
| Short Circuit Current | I_{SC} | -15 | | +15 | mA | Signals SCx_IO, SC1_C4, SC1_C8, SCx_RST, SCx_CLK |

Note 18-13 The SC1 (or SC2) regulators are in linear drop-off mode, when operated in Class A. If VDD5 voltage drops below 4.8 V, VDD5_LOW=1 an interrupt is received, indicating firmware not to operate in Class A Mode.

Note 18-14 In the SEC1110/SEC1210 version, the software workaround for Anomaly 12, 13, 17 for activation, deactivation must be used. In subsequent versions, the SCx_VCC turn-off time is 500 μs maximum.

Note 18-15 V_{OL} signal perturbations is $-0.25 < V < \min(+0.4 \text{ V}, +0.15 \text{ V}_{CC})$

SEC1110/SEC1210

Note 18-16 V_{OH} signal perturbations is $\min(V_{CC}-0.5, 0.8V_{CC}) < V < V_{CC}+0.25V$

Note 18-17 To allow for overshoot the voltage on I/O shall remain between $-0.3 V$ and $V_{CC} + 0.3 V$

$T_A = 5^\circ C$; $f_c = 1 \text{ MHz}$; V_{DD5}

TABLE 18-1: PIN CAPACITANCE

| PARAMETER | SYMBOL | LIMITS | | | UNIT | TEST CONDITION |
|--------------------|-----------|--------|----|-----|------|---|
| | | MIN | TY | MAX | | |
| Input Capacitance | C_{IN} | | | 10 | pF | All pins (except USB pins and pins under test) are tied to AC ground. |
| Output Capacitance | C_{OUT} | | | 10 | pF | All GPIO pins except Smart Card and USB. |

18.4 Power Consumption

The power consumed depends on the firmware. The tables below indicate current consumption for CCID firmware (v1.4) under the following conditions

- Internal oscillator at 48 MHz, $MEM_CLK=CPU_CLK=16 \text{ MHz}$ or $MEM_CLK=CPU_CLK=9.6 \text{ MHz}$
- Internal block $SC1_CLK=48 \text{ MHz}$, $SC1_CLK=4.8 \text{ MHz}$
- Internal blocks SPI1, UART, SPI2 are turned off
- In USB suspend state, the LDO3A regulator is powered off, internal oscillator is off.

Total V_{DD5} current is $I_{CC} + I_{SC1} + I_{SC2}$

($T_A = 0^\circ C - 70^\circ C$, $V_{DD5} = +5.0 \text{ V}$)

TABLE 18-2: SEC1110 SUPPLY CURRENT

| PARAMETER | SYMBOL | MIN | TYP | MAX | UNITS | COMMENTS |
|---|----------------------------|-----|------|-----|---------|--|
| Supply Current Unconfigured USB @ $V_{DD5} = 5.0 \text{ V}$ | I_{CCINIT} | | 5.2 | 5.5 | mA | CPU_CLK=16 MHz |
| | | | 4.8 | 4.9 | mA | CPU_CLK=9.6 MHz |
| Supply Current Idle Mode @ $V_{DD5} = 5.0 \text{ V}$ | I_{CCIDLE} | | 5.3 | 5.5 | mA | CPU_CLK=16 MHz |
| | | | 4.9 | 5.0 | mA | CPU_CLK=9.6 MHz |
| Supply Current Operating Mode @ $V_{DD5} = 5.0 \text{ V}$ | I_{CCSC1} | | 7.3 | 7.5 | mA | CPU_CLK=16 MHz, $SC1_VCC=5V$, but $SC1_VCC$ current is excluded |
| | | | 6.8 | 6.9 | mA | CPU_CLK=9.6 MHz $SC1_VCC=5 \text{ V}$, but $SC1_VCC$ current is excluded |
| Supply Current Standby Mode @ $V_{DD5} = 5.0 \text{ V}$ Note 18-7 | I_{CCSH} I_{CCSL} | | 392 | | μA | With $SC1_PRSENT_N$ not grounded. |
| | I_{CCSH1} I_{CCSL1} | | 446 | | μA | With Smart Card1 present, i.e., $SC1_PRSENT_N$ is 0 V. |
| Supply Current STOP Mode | I_{STOP} | | 0.11 | 1.0 | μA | @ $V_{DD5} = 5.0 \text{ V}$ |

TABLE 18-3: SEC1210 SUPPLY CURRENT

| PARAMETER | SYMBOL | MIN | TYP | MAX | UNITS | COMMENTS |
|---|---------------------|-----|------|------|-------|---|
| Supply Current Unconfigured USB @ V _{DD5} = 5.0 V | I _{CCINIT} | | 5.2 | 5.5 | mA | CPU_CLK=16 MHz |
| | | | 4.8 | 4.9 | mA | CPU_CLK=9.6 MHz |
| Supply Current Idle mode @ V _{DD5} = 5.0 V | I _{CCIDLE} | | 5.3 | 5.5 | mA | CPU_CLK=16 MHz |
| | | | 4.9 | 5.0 | mA | CPU_CLK=9.6 MHz |
| Supply Current Operating mode @ V _{DD5} = 5.0 V | I _{CCSC1} | | 7.3 | 7.5 | mA | CPU_CLK=16 MHz, SC1_VCC=5V, but SC1_VCC current is excluded |
| | | | 6.8 | 6.9 | mA | CPU_CLK=9.6 MHz SC1_VCC=5V, but SC1_VCC current is excluded |
| Supply Current Operating mode @ V _{DD5} = 5.0 V | I _{CCSC2} | | 8.8 | 8.82 | mA | CPU_CLK=16 MHz, SC1_VCC, SC2_VCC=5V, but SC1_VCC, SC2_VCC current is excluded |
| | | | 8.3 | 8.5 | mA | CPU_CLK=9.6 MHz SC1_VCC, SC2_VCC=5V, but SC1_VCC, SC2_VCC current is excluded |
| Supply Current USB Suspend @ V _{DD5} = 5.0 V Note 18-7 | I _{CCSH} | | 392 | | μA | With SC1_PRSENT_N not grounded. |
| | I _{CCSH1} | | 446 | | μA | With Smart Card1 present, i.e., SC1_PRSENT_N is 0 V. |
| | I _{CCSH2} | | 502 | | μA | With Smart Card1, Smart Card2 present, i.e., SC1_PRSENT_N and SC2_PRSENT_N are 0 V. |
| Supply Current STOP Mode | I _{STOP} | | 0.11 | 1.0 | μA | @ V _{DD5} = 5.0 V |

18.5 Package Thermal Specifications

TABLE 18-4: PACKAGE THERMAL RESISTANCE PARAMETERS

| SYMBOL | SEC1110 (°C/W) | SEC1210 (°C/W) | VELOCITY (METERS/SEC) |
|-----------------|-------------------|-------------------|--------------------------|
| | PACKAGE | 16SQFN | |
| θ _{JA} | 59 | 40 | 0 |

Use the following formula to calculate the junction temperature: $T_J = T_A + P * \theta_{JA}$

TABLE 18-5: LEGEND

| SYMBOL | DESCRIPTION |
|-----------------|---------------------------------|
| T _J | Junction temperature |
| T _A | Ambient temperature |
| P | Power dissipated |
| θ _{JA} | Junction to ambient temperature |

SEC1110/SEC1210

19.0 8051 TIMERS

19.1 General Description

This chapter contains a description of the Timers within the Embedded controller used in the SEC1110 and SEC1210. The Embedded controller has the following timers.

- Timer 0 - 16-bit
- Timer 1 - 16-bit
- Timer 2 - 16-bit
- Watchdog timer (16-bit) with prescaler (8-bit)

19.2 Timer 0

The Timer 0 subcomponent contains the Timer 0 - a 16-bit register that can be configured for counter or timer operations. It can be accessed as SFRs: TH0 and TL0.

In the Timer Mode, the Timer 0 is incremented every 12 clock cycles, which means that it counts up after every 12 periods of the clock signal.

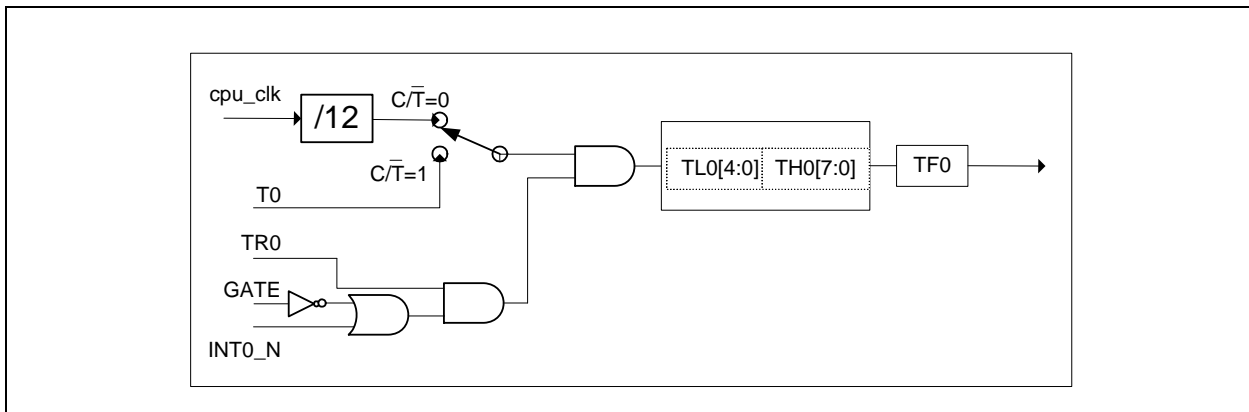
In the Counter Mode, the Timer 0 is incremented when the falling edge is detected at the corresponding input pin – t0 (**JTAG_CLK**) for Timer 0. Since it takes 2 clock cycles to recognize a 1-to-0 event, the maximum input count rate is 1/2 of the CPU clock frequency. There are no restrictions on the duty cycle, however to ensure proper recognition of 0 or 1 state, an input should be stable for at least 1 CPU clock cycle.

Four operating modes can be selected for Timer 0. Two Special Function registers: TMOD and TCON are used to select the appropriate mode.

The INT0_N signal in the following figures for Timer 0 are connected to External Interrupt 1 (GPIO 0,1,2 combined interrupts). If the gate flag tmod7 is enabled, and the GPIO Interrupt Enable Register has only one GPIO pin enabled, then the counting of Timer 0 can be controlled by external GPIO pin.

19.2.1 MODE 0 AND MODE 1

FIGURE 19-1: TIMER 0 IN MODE 0 AND MODE 1



In Mode 0, Timer 0 is configured as a 13-bit register (TL0=5 bits, TH0=8 bits). The upper 3 bits of TL0 are unchanged and should be ignored.

In Mode 1, Timer 0 is configured as a 16-bit register.

19.2.1.1 Timer 0 and Counter 0 in Mode 0

This mode is invoked by setting the **tmod[1:0]=00** flags of the TMOD Register.

In this mode, the count rate is derived from the clk input for the timer option or from the t0 (**JTAG_CLK**) input for the counter option. The timer option is selected by clearing the **tmod2** flag, otherwise the counter option is selected.

The timer/counter is divided into two 8-bit registers, one for the lower and one for the higher byte. The lower byte is additionally divided into two parts consisting of a lower 5 bits and a higher 3 bits (only the higher 5 bits are part of the counter). This makes the Timer 0 or Counter 0 a 13-bit counter that is incremented every 12 clock cycles, or incremented when the external signal t0 changes its value from 1 to 0.

When Timer/Counter 0 overflows, the **tcon5** flag is set and an interrupt is generated through the tf0 output pin. This bit is cleared when acknowledge signal (int0ack) arrives.

The timer/counter may be controlled by software or hardware. The **tcon4** flag must be set to run the Timer 0 Interrupt on int0 stops counting, if the appropriate gate flag **tmod3** is enabled.

See [FIGURE 19-1: Timer 0 in Mode 0 and Mode 1 on page 196](#).

19.2.1.2 Timer 0 and Counter 0 in Mode 1

This mode is invoked by setting the **tmod[1:0]=01** flags of the TMOD Register.

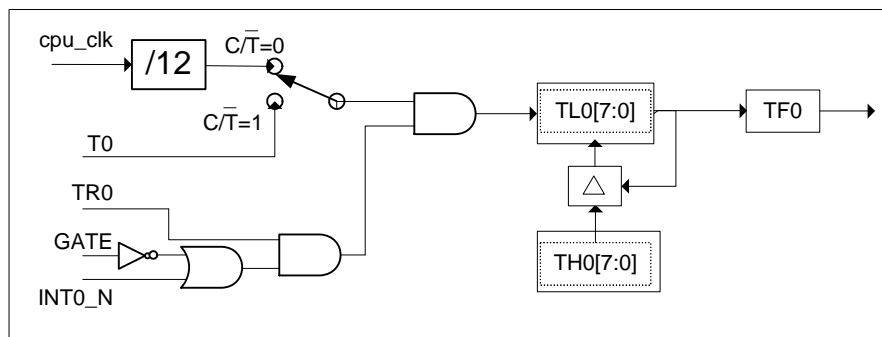
This mode differs from Mode 0 only in that the lower byte is not divided in 5-bit and 3-bit parts, but the whole lower byte works as a counter. The Timer/Counter 0 is a 16-bit counter in Mode 1.

See [FIGURE 19-1: Timer 0 in Mode 0 and Mode 1 on page 196](#).

19.2.2 MODE 2

In this mode, the Timer 0 is configured as an 8-bit register with auto-reload.

FIGURE 19-2: TIMER 0 IN MODE 2



This mode is invoked by setting the **tmod[1:0]=10** flags of the TMOD Register. In this mode, the count rate is derived from the clk input for the timer option or from the t0 input for counter option. The timer option is selected by clearing the **tmod2** flag, otherwise the counter option is selected.

In this mode, only the lower byte (tl0) is incremented every 12 clock cycles, or the lower byte is incremented when the external signal t0 (**JTAG_CLK**) changes its value from 1 to 0.

In this mode, the timer or counter works as an 8-bit reload timer/counter. When the lower byte of the timer or counter overflows, the **tcon5** flag is set and an interrupt is generated through the tf0 output pin. This bit is cleared when an acknowledge signal (int0ack) arrives. Additionally, when the overflow occurs the new value is fetched from higher byte (TH0) to the lower byte (TL0).

The Timer/Counter may be controlled by software or hardware. The **tcon4** flag must be set to run the Timer 0 Interrupt when int0 stops counting, if the appropriate gate flag **tmod3** is enabled.

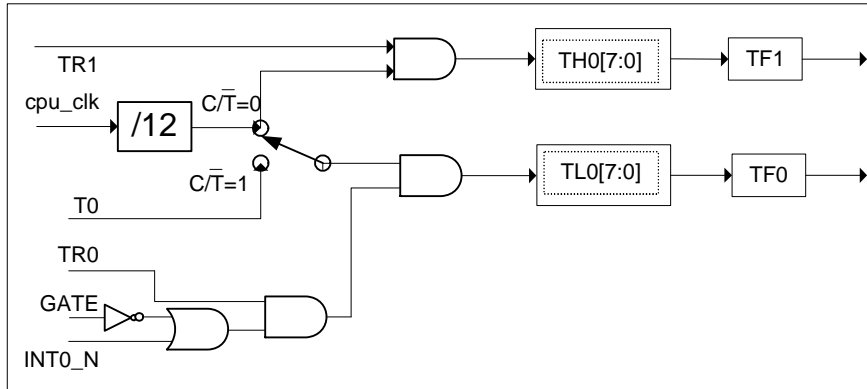
See [FIGURE 19-2: Timer 0 in Mode 2 on page 197](#).

SEC1110/SEC1210

19.2.3 MODE 3

In Mode 3, Timer 0 is configured as one 8-bit timer or counter and one 8-bit timer. When Timer 0 works in Mode 3, Timer 1 can still be used in applications not requiring an interrupt from Timer 1.

FIGURE 19-3: TIMER 0 IN MODE 3



This mode is invoked by setting the **tmod[1:0]=11** flag of TMOD Register.

In this mode, the count rate for lower byte is derived from the clk input for the timer option or from the t0 input for counter option, but the count rate for the higher byte is only derived from the clk. The timer option is selected by clearing **tmod2** flag, otherwise the counter option is selected.

In this mode, the lower byte (TL0) is incremented every 12 clock cycles or when the external signal t0 changes its value from 1 to 0. The higher byte (TH0) is incremented every 12 clock cycles.

When the lower byte of the timer or counter overflows, the **tcon5** flag is set and an interrupt is generated through tf0 output pin. When the higher byte overflows, the **tcon7** flag is set and an interrupt is generated through tf1 output pin. These bits are cleared when appropriate acknowledge signals (int0ack, int1ack) arrive, respectively.

In this mode, the lower byte of Timer 0 or Counter 0 is controlled by the **tcon4** flag which must be set to enable timer operation, and by the int0_n input which stops counting when forced to 0 while the **tmod3** flag is set.

The higher byte is controlled only by the **tcon6** flag which enables counting when set.

19.3 Timer 1

The Timer 1 subcomponent contains Timer 1, a 16-bit register that can be configured for counter or timer operations. It can be accessed as SFRs: TH1 and TL1.

In Timer Mode, Timer 1 is incremented every 12 clock cycles, which means that it counts up after every 12 periods of the clock signal.

In Counter Mode, Timer 1 is incremented when the falling edge is detected at the corresponding input pin – t1 (**JTAG_CLK**) for Timer 0. Since it takes 2 clock cycles to recognize a 1-to-0 event, the maximum input count rate is 1/2 of the CPU clock frequency. There are no restrictions on the duty cycle, however to ensure proper recognition of a 0 or 1 state, an input should be stable for at least 1 CPU clock cycle.

Four operating modes can be selected for Timer 1. Two Special Function registers: TMOD and TCON are used to select the appropriate mode.

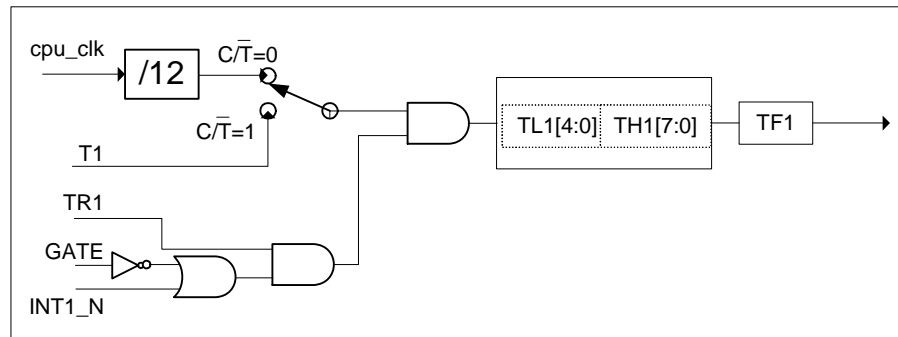
The INT1_N signal in the following figures for Timer 1 is connected to External Interrupt 1 (GPIO 0,1, and 2 combined interrupts). If the gate flag **tmod7** is enabled, and the GPIO Interrupt Enable Register has only one GPIO pin enabled, then the counting of Timer 1 can be controlled by the external GPIO pin.

19.3.1 MODE 0 AND MODE 1

In Mode 0, Timer 1 is configured as a 13-bit register ("tl1" = 5 bits, "th1" = 8 bits). The upper 3 bits of "l1" are unchanged and should be ignored.

In Mode 1, Timer 1 is configured as a 16-bit register.

FIGURE 19-4: TIMER 1 IN MODE 0 AND 1



19.3.1.1 Timer/Counter 1 in Mode 0

This mode is invoked by setting the **tmod[5:4]=00** flags of the TMOD Register.

In this mode, the count rate is derived from the clk input for the timer option or from the t1 input for counter option. The timer option is selected by clearing the **tmod6** flag, otherwise the counter option is selected.

The Timer 1 or Counter 1 is divided into two 8-bit registers, one lower byte and one higher byte. The lower byte is additionally divided in two parts consisting of a lower 5 bits and a higher 3 bits (only the higher 5 bits are part of the counter). This makes the Timer/Counter 1 a 13-bit counter that is incremented every 12 clock cycles or incremented when the external signal t1 changes its value from 1 to 0.

When Timer/Counter 1 overflows, the **tcon7** flag is set and an interrupt is generated through tf1 output pin. This bit is cleared when an acknowledge signal (int1ack) arrives.

The Timer/Counter 1 may be controlled by software or hardware. The **tcon6** flag must be set to run the Timer 1 Interrupt when int1 stops counting, if the appropriate gate flag **tmod7** is enabled.

See [FIGURE 19-4: Timer 1 in Mode 0 and 1 on page 199](#).

19.3.1.2 Timer/Counter 1 in Mode 1

This mode is invoked by setting the **tmod[5:4]=01** flags of the TMOD Register.

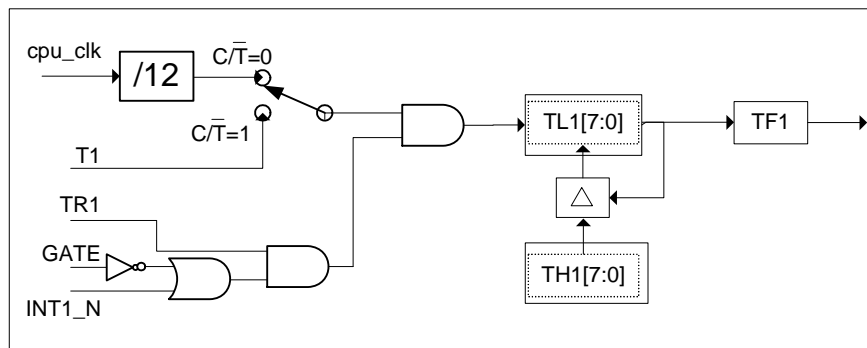
This mode differs from Mode 0 only in that the lower byte is not divided into 5-bit and 3-bit parts. Instead, the entire lower byte works as a counter. The Timer/Counter 1 is a 16-bit counter in Mode 1.

See [FIGURE 19-4: Timer 1 in Mode 0 and 1 on page 199](#).

19.3.2 MODE 2

In this mode, the Timer 1 is configured as an 8-bit register with auto-reload.

FIGURE 19-5: TIMER 1 IN MODE 2



This mode is invoked by setting the **tmod[5:4]=10** flags of the TMOD Register.

In this mode, the count rate is derived from the clk input for the timer option or from the t1 input for the counter option. The timer option is selected by clearing the **tmod6** flag, otherwise the counter option is selected.

In this mode, the timer/counter works as an 8-bit reload timer/counter. Only the lower byte (TL1) is incremented every 12 clock cycles or when external signal t1 changes its value from 1 to 0.

When lower byte of timer/counter overflows, the **tcon7** flag is set and an interrupt is generated through the tf1 output pin. This bit is cleared when an acknowledge signal (int1ack) arrives. Additionally, when the overflow occurs the new value is fetched from higher byte (TH1) to lower byte (TL1).

The timer/counter may be controlled by software or hardware. The **tcon6** flag must be set to run the Timer 1 Interrupt when int1 stops counting, if the appropriate gate flag **tmod7** is enabled.

19.3.3 MODE 3

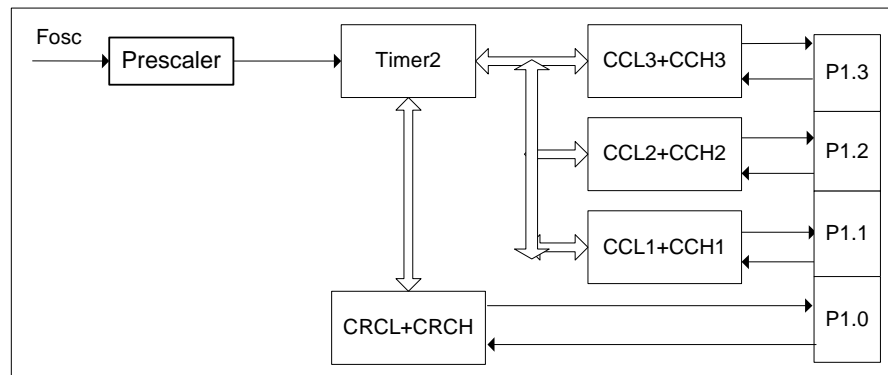
This mode is invoked by setting the **tmod[5:4]=11** flag of TMOD Register.

In this mode, the Timer/Counter 1 is disabled (only Timer/Counter 0 can operate in Mode 3).

19.4 Timer 2

The Timer 2 subcomponent is composed of a Timer 2 that can be configured for either counter or timer operations, and the Compare/Capture Unit which is a sub-component of Timer 2. The Timer 2 can operate as timer, event counter, or gated timer.

FIGURE 19-6: TIMER 2 BLOCK DIAGRAM



19.4.1 TIMER MODE

This mode is invoked by setting the **t2i0**=1 and **t2i1**=0 flags of the **t2con** Register. In this mode, the count rate is derived from the **clk** input.

The Timer 2 is incremented every 12 or 24 clock cycles depending on the 2:1 prescaler. The Prescaler Mode is selected by bit **t2ps** of the **t2con** Register. When **t2ps**=0, the timer counts up every 12 clock cycles, otherwise every 24 cycles.

19.4.2 EVENT COUNTER MODE

This mode is invoked by setting the **t2i0**=0 and **t2i1**=1 flags of the **t2con** Register. In this mode, the Timer 2 is incremented when the external signal **t2** changes its value from 1 to 0. The **t2** input is sampled at every rising edge of the clock. The Timer 2 is incremented in the cycle following the one in which the transition was detected. The maximum count rate is $\frac{1}{2}$ of the clock frequency.

19.4.3 GATED TIMER MODE

This mode is invoked by setting the **t2i0**=1 and **t2i1**=1 flags of the **t2con** Register. In this mode, the Timer 2 is incremented every 12 or 24 clock cycles (depending on the **t2ps** flag) but additionally it is gated by the external signal **t2**. When **t2**=0, the Timer 2 is stopped. The **t2** input is sampled into a flip-flop and then it blocks Timer 2 from incrementing.

19.4.4 TIMER 2 RELOAD

A 16-bit reload from the **crc** Register can be executed in two modes:

- Reload Mode 0: Reload signal is generated by Timer 2 overflow (auto reload)
- Reload Mode 1: Reload signal is generated by negative transition at the corresponding input pin **t2ex**.

19.4.5 COMPARE FUNCTION

The Compare/Capture Unit consists of four registers: **cc1**, **cc2**, **cc3**, and **crc**. Each of these registers can be configured to work in Comparator Mode. In this mode, the value stored in register is compared with the contents of Timer 2. The comparator's outputs drive four low ordered bits of **ccubus** where:

- The output of the comparator associated with the register **crc** is **ccubus.0**
- The output of the comparator associated with the register **cc1** is **ccubus.1**
- The output of the comparator associated with the register **cc2** is **ccubus.2**
- The output of the comparator associated with the register **cc3** is **ccubus.3**

There are two compare modes selected by bit **t2cm** in **t2con** Register.

SEC1110/SEC1210

19.4.5.1 Compare Mode 0

The Compare Mode 0 is invoked by setting bit $t2cm=0$ of $t2con$ Register. In Mode 0, when the value in Timer 2 equals the value of the compare register, the comparator output changes from low to high. It goes back low on a Timer 2 overflow. The Figure 19-7, "Timer 2 in Compare Mode 0" illustrates the function of compare Mode 0.

FIGURE 19-7: TIMER 2 IN COMPARE MODE 0

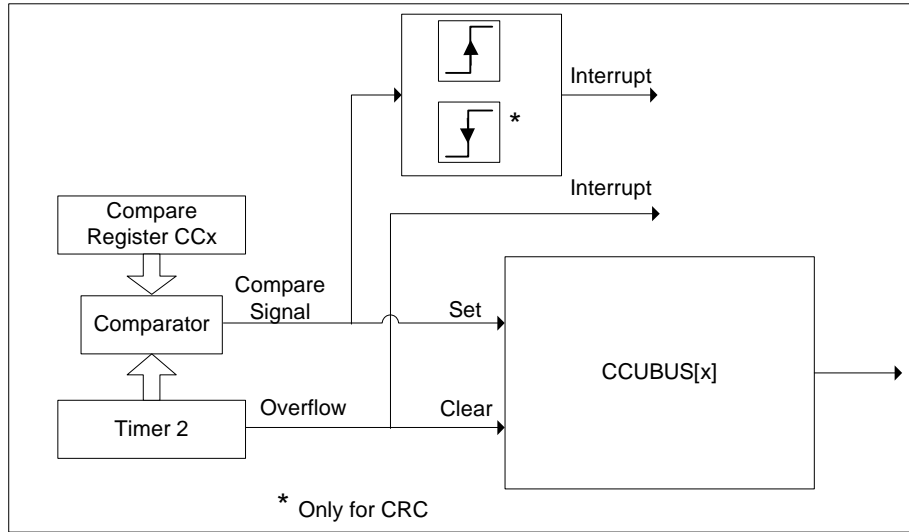
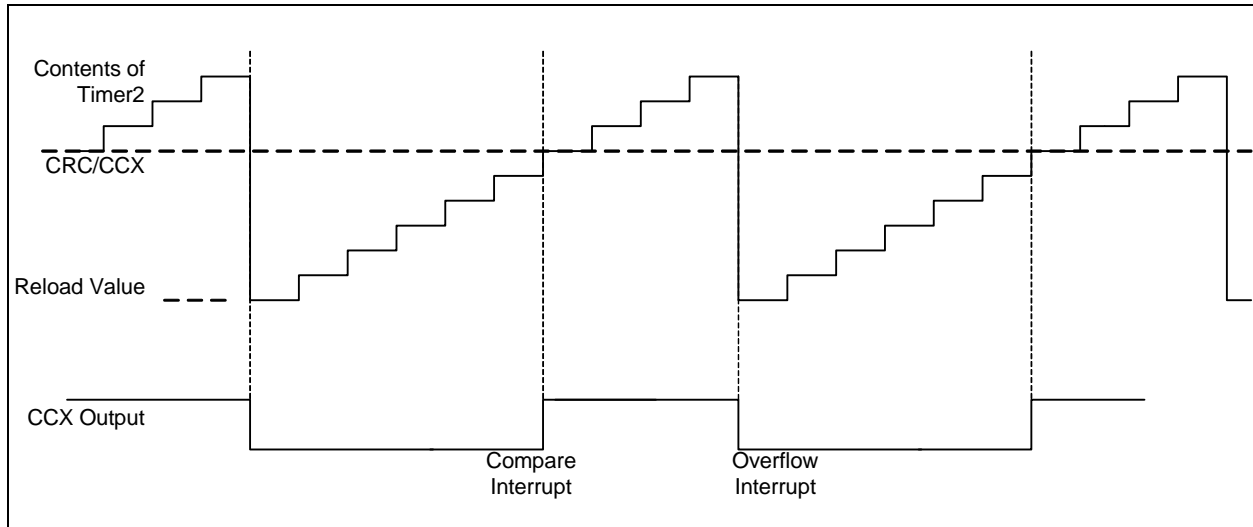


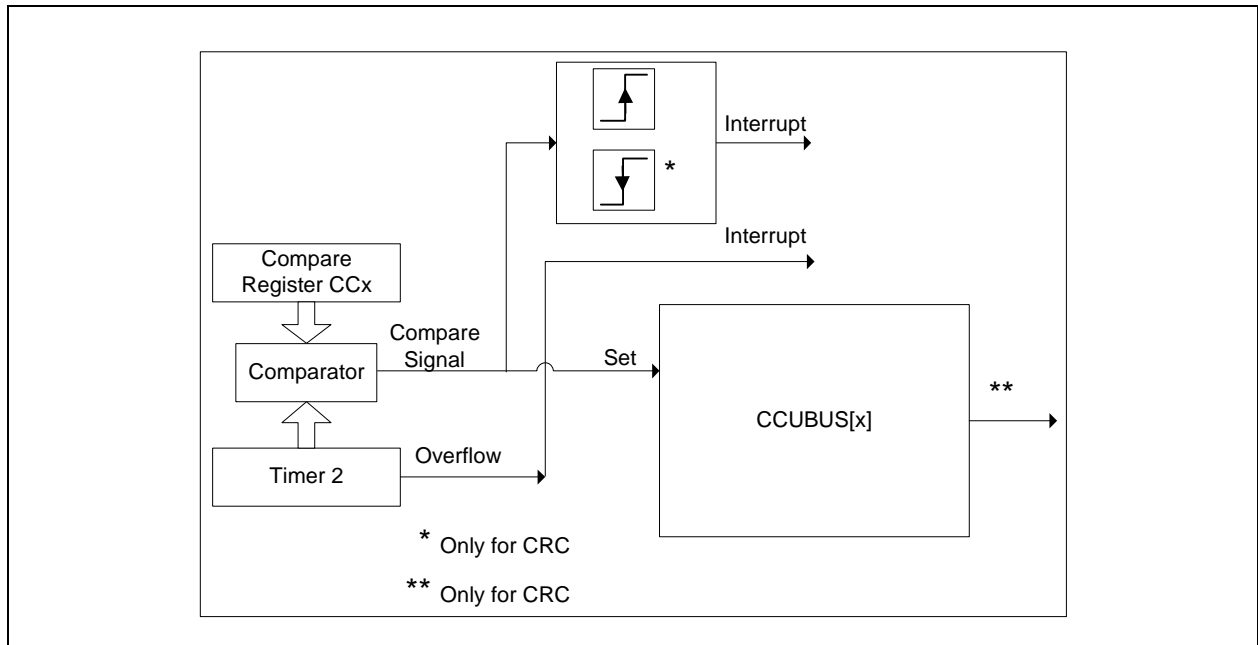
FIGURE 19-8: COMPARE MODE 0 OPERATION



19.4.5.2 Compare Mode 1

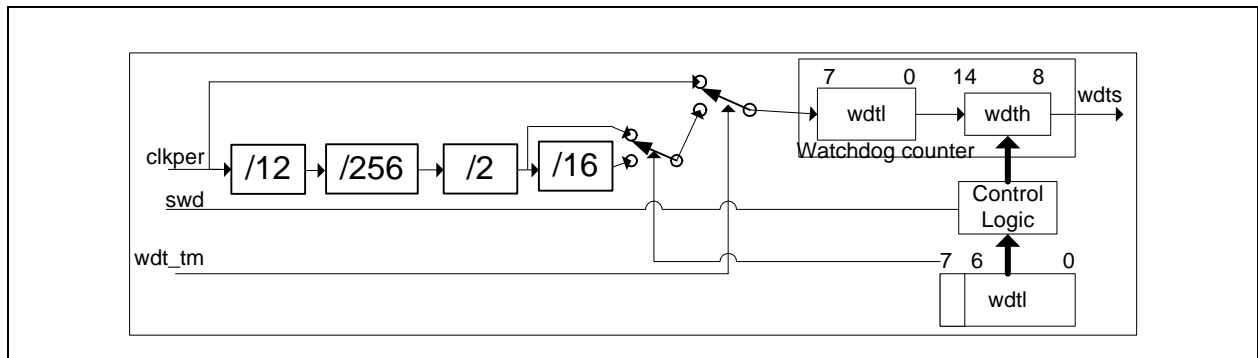
The Compare Mode 1 is invoked by setting bit $t2cm=1$ of the $t2con$ Register. In Compare Mode 1, the transition of the output signal can be determined by software. A Timer 2 overflow causes no output change. In this mode, both transitions of the output signal can be controlled. Figure below shows a functional diagram of a register configuration in Compare Mode 1. In Compare Mode 1 the value is written first to the “Shadow Register”, and when the compare signal goes active this value is transferred to the output register.

FIGURE 19-9: TIMER 2 IN COMPARE MODE 1



19.5 Extended Watchdog_Timer

FIGURE 19-10: EXTENDED WATCHDOG BLOCK DIAGRAM



The Watchdog Timer is a 15-bit counter that is incremented every $24 \cdot 2^8$ or $384 \cdot 2^8$ clock cycles. It is used to provide the system supervision in case of software or hardware upset. If the software is not able to refresh the watchdog timer, an internal reset is generated.

SEC1110/SEC1210

The watchdog timer consists of a 15-bit counter (not accessible as SFR), reload register WDTREL, prescalers by 2 and 16, and control logic.

The count rate of the watchdog timer depends on the MSB of the WDTREL Register. When the **WDTREL.7=1**, the watchdog timer is incremented every $12 \cdot 2^8 \cdot 32$ clock cycles, which makes the whole period to be $12 \cdot 2^8 \cdot 32 \cdot 256 \cdot 128$ clock cycles long.

When the **WDTREL.7=0**, the watchdog timer is incremented every $12 \cdot 2^8 \cdot 2$ clock cycles, which makes the whole period to be $12 \cdot 2^8 \cdot 2 \cdot 256 \cdot 128$ clock cycles long.

When the **wdt_tm** test mode input is set to 1, the count rate of the watchdog timer is **clkper** clock rate (all dividers – 1/12, 1/2⁸, 1/2, 1/16 are omitted) to shorten the time required for the Watchdog to overflow.

19.5.1 ENABLING THE WATCHDOG

The watchdog timer is started by setting **swdt** flag of the IEN1 Register. Starting the watchdog timer by only setting the **swdt** flag does not reload the watchdog timer.

The SEC1110 and SEC1210 watchdog timer cannot be stopped once it is started. Only a power down (or STOP Mode) and subsequent power on reset clears the watchdog timer.

When the watchdog counter enters the state of 7FFCh, the internal reset is generated as the **wdts** output is active. The **wdts** flag of the IP0 Register is also set upon the watchdog timer reset, while it is cleared upon an external hardware reset signal. The **wdts** signal does not reset the Watchdog, which remains running. When it overflows from 7FFFh to 0000h, the **wdts** output is deactivated, while the **wdts** flag of the ip0 Register remains set to allow the software to determine whether the reset was caused by an external input or by a Watchdog timeout.

The **wdts** flag of the IP0 Register can be also modified by software.

19.5.2 REFRESHING THE WATCHDOG TIMER

The watchdog timer must be refreshed regularly to prevent a reset request signal (**wdts**) from becoming active. This requirement imposes obligation on the programmer to issue two followed instructions. The first instruction sets the **wdt** bit of the IEN0 Register and the second one sets the **swdt** flag of the IEN1 Register. The maximum allowed delay between setting **wdt** and **swdt** is 1 instruction cycle (i.e., the instructions that set both flags cannot be separated by any other instruction). If this is violated, then the **wdt** flag is automatically cleared, which prevents the watchdog timer from being reloaded regardless of later setting the **swdt** flag. The 7 high-order bits of the watchdog timer are re-loaded with the contents of the WDTREL Register. The bigger the value of WDTREL the shorter the period required to refresh the watchdog timer.

20.0 TIMING DIAGRAMS

20.1 Serial Port Data Timing

FIGURE 20-1: SERIAL PORT DATA

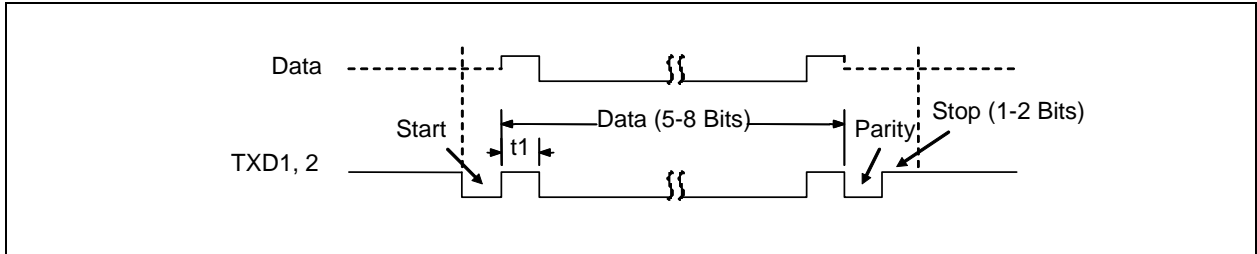


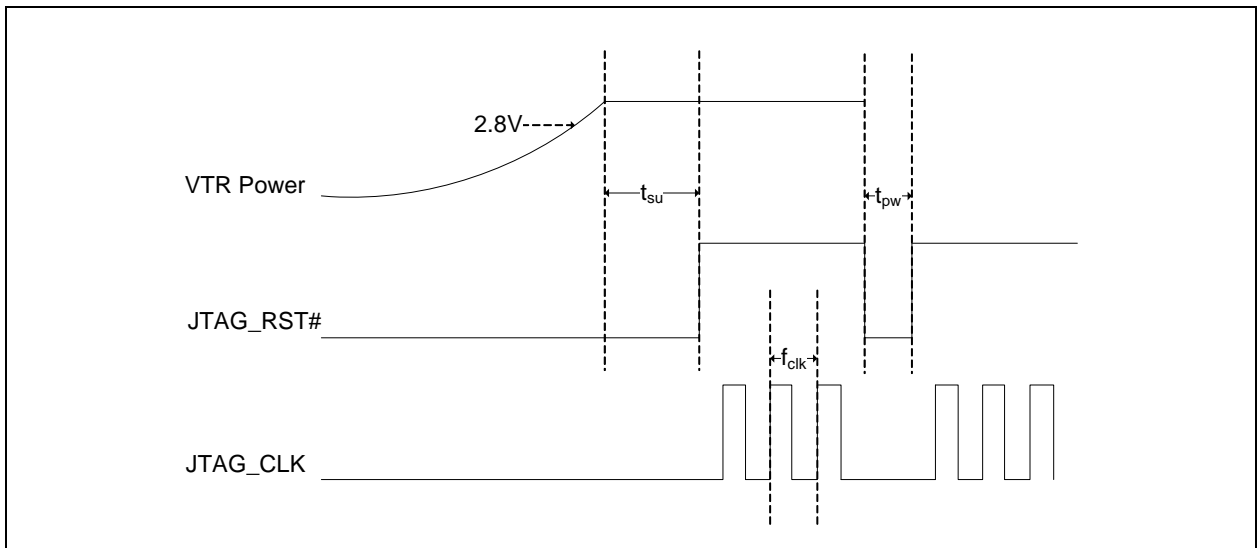
Table 3.1 Serial Port Data Parameters

| NAME | DESCRIPTION | MIN | TYP | MAX | UNITS |
|------|---------------------------|-----|-------------------------|-----|-------|
| t1 | Serial Port Data Bit Time | | t_{BR} (Note 20-1) | | nsec |

Note 20-1 t_{BR} is 1/Baud Rate. The Baud Rate is programmed through the divisor latch registers. Baud Rates have percentage errors indicated in UART Baud Rates (1.8432 MHz source).

20.2 JTAG Interface Timing

FIGURE 20-2: JTAG POWER-UP AND ASYNCHRONOUS RESET TIMING



SEC1110/SEC1210

FIGURE 20-3: JTAG SETUP AND HOLD PARAMETERS

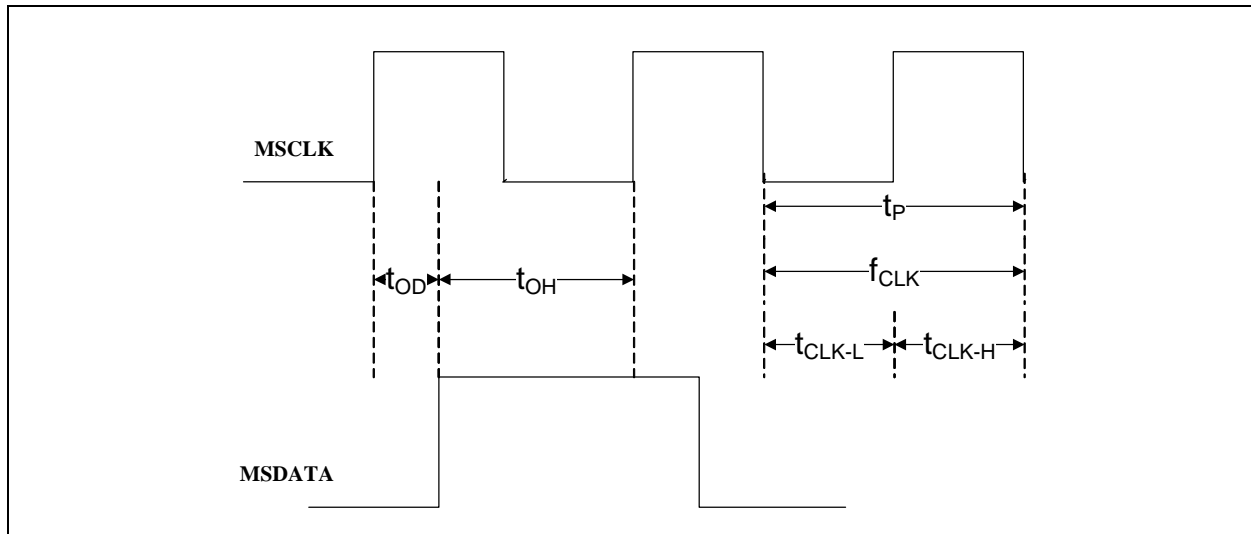


TABLE 20-1: JTAG INTERFACE TIMING PARAMETERS

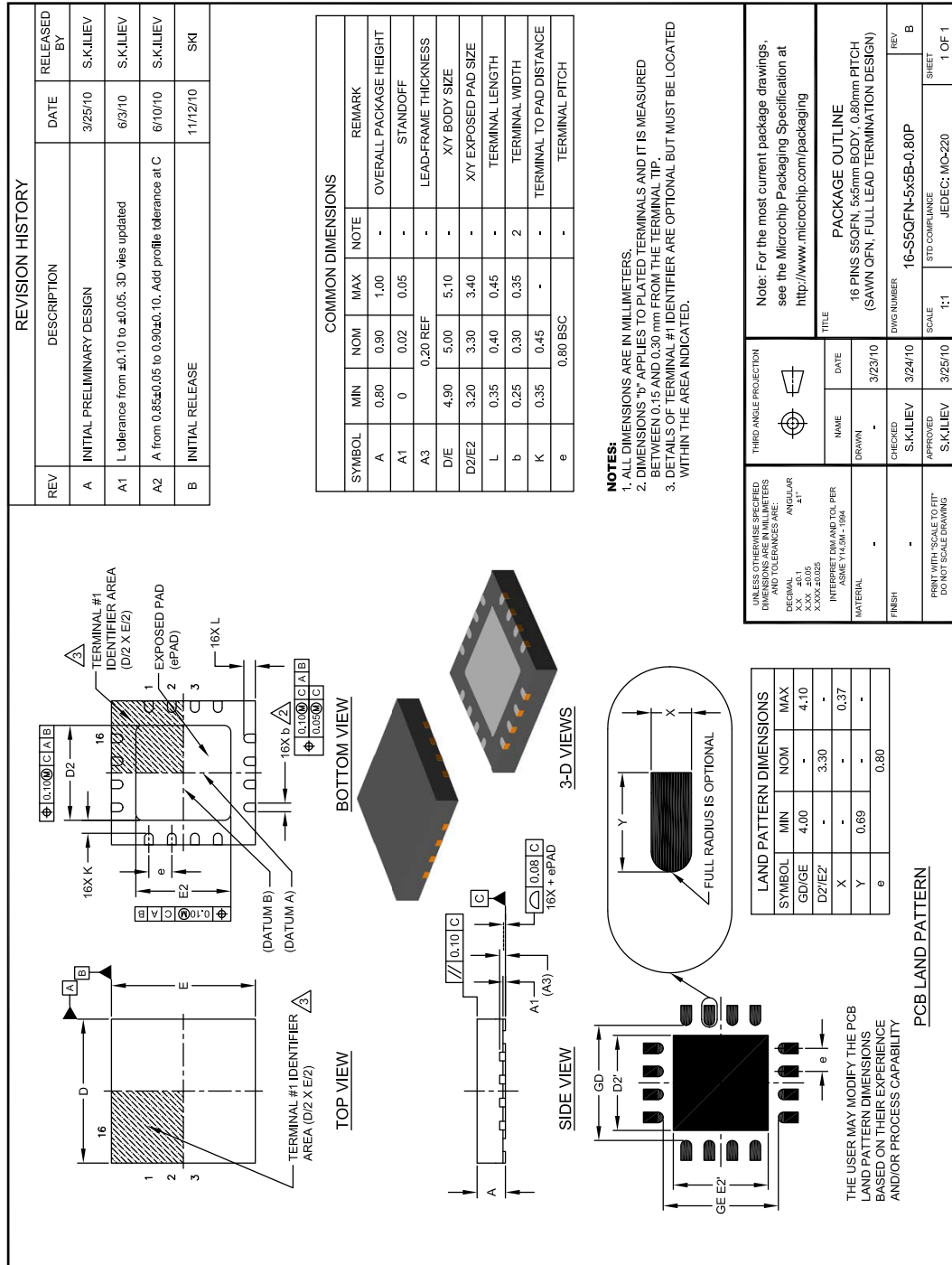
| NAME | DESCRIPTION | MIN | TYP | MAX | UNITS |
|-----------|--|-------------------|-----|--------------------|-------|
| f_{clk} | JTAG_CLK frequency (see note) | | | $F_{cpu_clk} / 4$ | MHz |
| t_{OD} | TDO output delay after falling edge of TCLK. | 5 | | 10 | nsec |
| t_{OH} | TDO hold time after falling edge of TCLK | $1 TCLK - t_{OD}$ | | | nsec |
| t_{IS} | TDI setup time before rising edge of TCLK. | | | 0 | nsec |
| t_{IH} | TDI hold time after rising edge of TCLK. | 5 | | 10 | nsec |

Note 20-1 f_{clk} is the maximum frequency to access a JTAG Register. Additional JTAG_CLK frequency constraints are described in [Section 17.0, "TEST Modes, JTAG, and XNOR,"](#) on page 187 as well as [Section 13.3.2, "Clocks,"](#) on page 132.

21.0 PACKAGE OUTLINES

Note: For the most current package drawings, see the Microchip Packaging Specification at: <http://www.microchip.com/packaging>.

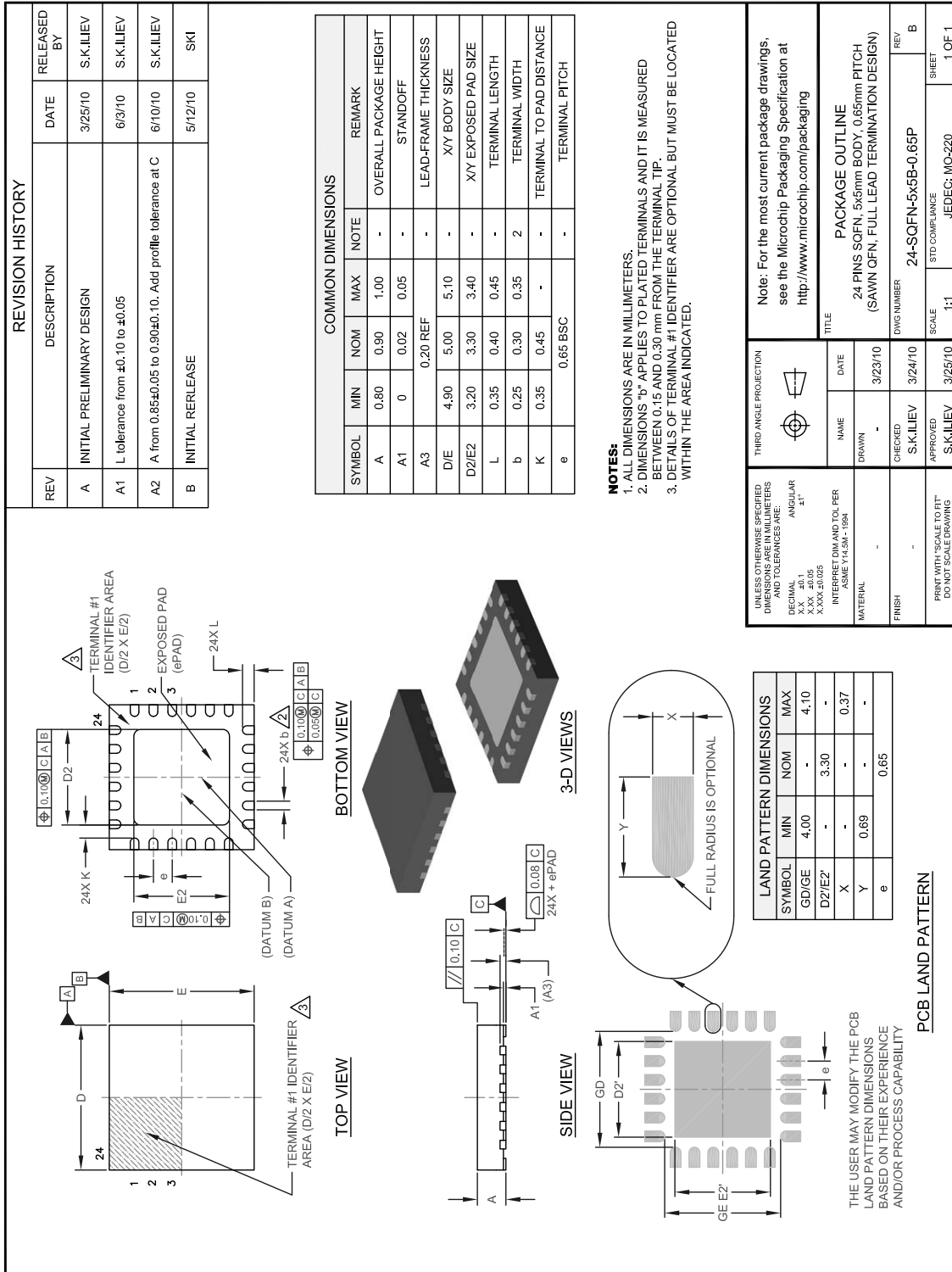
FIGURE 21-1: SEC1110 PACKAGE OUTLINE, 16-PIN QFN, 5 X 5 BODY, 0.80MM PITCH



SEC1110/SEC1210

Note: For the most current package drawings, see the Microchip Packaging Specification at: <http://www.microchip.com/packaging>.

FIGURE 21-2: SEC1210 PACKAGE DRAWING, 24-PIN QFN, 5 X 5 BODY, 0.65MM PITCH



APPENDIX A: ACRONYMS, DEFINITIONS AND CONVENTIONS

A.1 Acronyms

| | |
|------------------------------------|---|
| ATR: | Answer to Reset |
| BGT: | Block Guard Time |
| BWT: | Block Waiting Time |
| CRC: | Cyclic Redundancy Checking |
| CWT: | Character Waiting Time |
| D: | Baud Rate Adjustment Integer |
| EGT: | Extra Guard Time |
| EMV: | Originally “Europay, MasterCard and VISA”, now serves as a standard for credit/debit cards authentication |
| ESD: | Electrostatic Discharge |
| ETU: | Elementary Time Unit |
| F: | Clock Rate Conversion Integer |
| f: | Frequency Value of the Clock Signal Provided to the Card by the Interface Device |
| FIFO: | First In, First Out |
| H: | High State |
| I²C[®]: | Inter-Integrated Circuit ¹ |
| JTAG: | Joint Test Action Group |
| MTU: | Maximum Transmission Unit |
| NRZI: | Non Return to Zero, Inverted |
| NRZ: | Non Return to Zero |
| OCS: | Over-Current Sense |
| PCB: | Printed Circuit Board |
| PHY: | Physical Layer |
| PLL: | Phase-Locked Loop |
| QFN: | Quad Flat No Leads |
| RoHS: | Restriction of Hazardous Substances Directive |
| SC: | Smart Card |
| SCL: | Serial Clock |
| SIE: | Serial Interface Engine |
| SFR: | Special Function Register |
| SC: | Smart Card |
| SPI: | Serial Peripheral Interface |
| UART: | Universal Asynchronous Receiver/Transmitter |
| WDT: | Watch Dog Timer |
| WIC: | Wake-up Interrupt Controller |
| WTX: | Waiting Time Extension |

¹.I²C is a registered trademark of Philips Corporation.

SEC1110/SEC1210

A.2 Definitions

- Endpoint:** In USB, an endpoint is a unidirectional data port.
- Channel:** A channel is made up of a pair of endpoints. A channel is capable of bidirectional data movement.
- EPx_RD:** An IN endpoint. Data flows from the device to the USB host.
- EPx_WR:** An OUT endpoint. Data flows from the USB Host to the device.

Note: In all cases RD refers to reading main memory, WR refers to writing to main memory.

Conventions

Within this manual, the following abbreviations and symbols are used to improve readability.

| Example | Description |
|------------------------|--|
| BIT | Name of a single bit within a field |
| FIELD.BIT | Name of a single bit (BIT) in FIELD |
| x...y | Range from x to y, inclusive |
| BITS[m:n] | Groups of bits from m to n, inclusive |
| PIN | Pin Name |
| zzzzb | Binary number (value zzzz) |
| 0xzzz | Hexadecimal number (value zzz) |
| zzh | Hexadecimal number (value zz) |
| rsvd | Reserved memory location. Must write 0, read value indeterminate |
| code | Instruction code, or API function or parameter |
| <i>Multi Word Name</i> | Used for multiple words that are considered a single unit, such as: <i>Resource Allocate message</i> , or <i>Connection Label</i> , or <i>Decrement Stack Pointer</i> instruction. |
| <i>Section Name</i> | Section or Document name. |
| x | Don't care |
| <Parameter> | <> indicate a Parameter is optional or is only used under some conditions |
| {,Parameter} | Braces indicate Parameter(s) that repeat one or more times. |
| [Parameter] | Brackets indicate a nested Parameter. This Parameter is not real and actually decodes into one or more real parameters. |

APPENDIX B: REFERENCES

- [1] Universal Serial Bus Specification, Version 2.0, April 27, 2000 (12/7/2000 and 5/28/2002 Errata)
USB Implementers Forum, Inc. <http://www.usb.org>
- [2] JEDEC Specifications: JESD76-2 (June 2001) and J-STD-020D.1 (March 2008)
JEDEC Global Standards for the Microelectronics Industry.<http://www.jedec.org/standards-documents>
- [3] EMV Integrated Circuit Card Specifications for Payment Systems, Book 1 “Application Independent ICC to Terminal Interface Requirements”, Version 4.3, November 2011
- [4] ETSI TS 102 221 V8.3.0 (2009-08)
- [5] ISO/IEC 7816-3 Third edition, 2006-11-01

APPENDIX C: REVISION HISTORY

TABLE C-1: REVISION HISTORY

| REVISION LEVEL & DATE | SECTION/FIGURE/ENTRY | CORRECTION |
|--|--|--|
| DS00001561C (09-28-16) | Product Identification System | Added new SEC1210 part markings Updated Trademark and Sales Listing pages |
| | All | Removed SPI slave references. |
| DS00001561B (05-27-15) | Document is converted to Microchip template. | |
| | Package Outlines on page 207 | Package diagrams updated |
| | Features | Supply input changed from "3.0 V to 5.5 V" to "3.6 V to 5.5 V". |
| | Section 18.2, "Operating Conditions," on page 189 | Corrected V_{DD5} minimum to 3.6V. |
| | Section 18.3, "DC Electrical Characteristics," on page 189 | Corrected V_{DD5} minimum to 3.6V in "Oscillator 48/8/4 MHz accuracy" entry of Parameter column. |
| SEC1110/SEC1210 REV A replaces the previous SMSC version, Revision 1.3 | | Added industrial temperature options and additional ordering codes Fixed misc. errors and typos. Removed errant references to non SEC1110/SEC1210 parts Updated Appendix A acronyms section Added Appendix A definitions section |

SEC1110/SEC1210

THE MICROCHIP WEB SITE

Microchip provides online support via our WWW site at www.microchip.com. This web site is used as a means to make files and information easily available to customers. Accessible by using your favorite Internet browser, the web site contains the following information:

- **Product Support** – Data sheets and errata, application notes and sample programs, design resources, user's guides and hardware support documents, latest software releases and archived software
- **General Technical Support** – Frequently Asked Questions (FAQ), technical support requests, online discussion groups, Microchip consultant program member listing
- **Business of Microchip** – Product selector and ordering guides, latest Microchip press releases, listing of seminars and events, listings of Microchip sales offices, distributors and factory representatives

CUSTOMER CHANGE NOTIFICATION SERVICE

Microchip's customer notification service helps keep customers current on Microchip products. Subscribers will receive e-mail notification whenever there are changes, updates, revisions or errata related to a specified product family or development tool of interest.

To register, access the Microchip web site at www.microchip.com. Under "Support", click on "Customer Change Notification" and follow the registration instructions.

CUSTOMER SUPPORT

Users of Microchip products can receive assistance through several channels:

- Distributor or Representative
- Local Sales Office
- Field Application Engineer (FAE)
- Technical Support

Customers should contact their distributor, representative or field application engineer (FAE) for support. Local sales offices are also available to help customers. A listing of sales offices and locations is included in the back of this document.

Technical support is available through the web site at: <http://www.microchip.com/support>

PRODUCT IDENTIFICATION SYSTEM

To order or obtain information, e.g., on pricing or delivery, refer to the factory or the listed sales office.

Note: In 2013, the Microchip method for part marking changed. This transition is typically transparent to the customer. However, in the case of the SEC1210, 2013 and newer parts utilize new ordering codes. SEC1110 and legacy SEC1210 part markings are provided in the [SEC1110 and Legacy SEC1210 Devices](#) section. The new SEC1210 part markings are provided in the [New SEC1210 Devices \(2013+\)](#) section.

SEC1110 and Legacy SEC1210 Devices

| <u>PART NO.</u> | <u>[X]</u> | <u>XXX</u> | <u>[X]⁽¹⁾</u> | |
|---|--|---|--|---|
| Device | Temperature Range | Package/Features | Tape and Reel Option | |
| Device: Temperature Range: Package/Features: Tape and Reel Option: | SEC1110, SEC1210 Blank = 0°C to +70°C (Commercial) I = -40°C to +85°C (Industrial) | A5-02 = 16-pin QFN, 5 x 5 x 9mm (SEC1110 only) A5-02NC= 16-pin QFN, 5 x 5 x 9mm (SEC1110 only) CN-02= 24-pin QFN, 5 x 5 x 9mm (SEC1210 only) CN-02NC= 24-pin QFN, 5 x 5 x 9mm (SEC1210 only) | Blank = Standard packaging (tray) TR = Tape and Reel ⁽¹⁾ | Examples: a) SEC1110-A5-02: Commercial temp 16-pin QFN, Tray b) SEC1110-A5-02-TR: Commercial temp 16-pin QFN, Tape & Reel c) SEC1110I-A5-02: Industrial temp 16-pin QFN, Tray d) SEC1110I-A5-02-TR: Industrial temp 16-pin QFN, Tape & Reel e) SEC1110-A5-02NC: Commercial temp 16-pin QFN, Tray, no ROM Code f) SEC1110-A5-02NC-TR: Commercial temp 16-pin QFN, Tape & Reel, no ROM Code g) SEC1210-CN-02: Commercial temp 24-pin QFN, Tray h) SEC1210-CN-02-TR: Commercial temp 24-pin QFN, Tape & Reel i) SEC1210I-CN-02: Industrial temp 24-pin QFN, Tray j) SEC1210I-CN-02-TR: Industrial temp 24-pin QFN, Tape & Reel k) SEC1210-CN-02NC: Commercial temp 24-pin QFN, Tray, no ROM Code l) SEC1210-CN-02NC-TR: Commercial temp 24-pin QFN, Tape & Reel, no ROM Code Note 1: Tape and Reel identifier only appears in the catalog part number description. This identifier is used for ordering purposes and is not printed on the device package. Check with your Microchip Sales Office for package availability with the Tape and Reel option. Reel size is 5,000. |

SEC1110/SEC1210

New SEC1210 Devices (2013+)

| <u>PART NO.</u> | <u>IXI</u> ⁽¹⁾ | - | <u>IXI</u> | / | <u>XXX</u> |
|----------------------------------|---|---|----------------------|---|----------------------|
| Device | Tape and Reel Option | | Temperature Range | | Package/ Features |
| Device: | SEC1210 | | | | |
| Tape and Reel Option: | Blank = Standard packaging (tray) TR = Tape and Reel ⁽¹⁾ | | | | |
| Temperature Range: | Blank = 0°C to +70°C (Commercial) I = -40°C to +85°C (Industrial) | | | | |
| Package/Features: | PV-URT= 24-pin QFN, Smart Card bridge to UART PV-UR2= 24-pin QFN, Dual Smart Card bridge to UART | | | | |

Examples:

- a) SEC1210/PV-URT
Commercial temp, 24-pin QFN, Tray,
Smart Card bridge to UART
- b) SEC1210T/PV-URT
Commercial temp, 24-pin QFN, Tape & Reel,
Smart Card bridge to UART
- c) SEC1210-I/PV-URT
Industrial temp, 24-pin QFN, Tray,
Smart Card bridge to UART
- d) SEC1210T-I/PV-URT
Industrial temp, 24-pin QFN, Tape & Reel,
Smart Card bridge to UART
- e) SEC1210/PV-UR2
Commercial temp, 24-pin QFN, Tray,
Dual Smart Card bridge to UART
- f) SEC1210T/PV-UR2
Commercial temp, 24-pin QFN, Tape & Reel,
Dual Smart Card bridge to UART
- g) SEC1210-I/PV-UR2
Industrial temp, 24-pin QFN, Tray,
Dual Smart Card bridge to UART
- h) SEC1210T-I/PV-UR2
Industrial temp, 24-pin QFN, Tape & Reel,
Dual Smart Card bridge to UART

Note 1: Tape and Reel identifier only appears in the catalog part number description. This identifier is used for ordering purposes and is not printed on the device package. Check with your Microchip Sales Office for package availability with the Tape and Reel option. Reel size is 5,000.

Note the following details of the code protection feature on Microchip devices:

- Microchip products meet the specification contained in their particular Microchip Data Sheet.
- Microchip believes that its family of products is one of the most secure families of its kind on the market today, when used in the intended manner and under normal conditions.
- There are dishonest and possibly illegal methods used to breach the code protection feature. All of these methods, to our knowledge, require using the Microchip products in a manner outside the operating specifications contained in Microchip's Data Sheets. Most likely, the person doing so is engaged in theft of intellectual property.
- Microchip is willing to work with the customer who is concerned about the integrity of their code.
- Neither Microchip nor any other semiconductor manufacturer can guarantee the security of their code. Code protection does not mean that we are guaranteeing the product as “unbreakable.”

Code protection is constantly evolving. We at Microchip are committed to continuously improving the code protection features of our products. Attempts to break Microchip's code protection feature may be a violation of the Digital Millennium Copyright Act. If such acts allow unauthorized access to your software or other copyrighted work, you may have a right to sue for relief under that Act.

Information contained in this publication regarding device applications and the like is provided only for your convenience and may be superseded by updates. It is your responsibility to ensure that your application meets with your specifications. MICROCHIP MAKES NO REPRESENTATIONS OR WARRANTIES OF ANY KIND WHETHER EXPRESS OR IMPLIED, WRITTEN OR ORAL, STATUTORY OR OTHERWISE, RELATED TO THE INFORMATION, INCLUDING BUT NOT LIMITED TO ITS CONDITION, QUALITY, PERFORMANCE, MERCHANTABILITY OR FITNESS FOR PURPOSE. Microchip disclaims all liability arising from this information and its use. Use of Microchip devices in life support and/or safety applications is entirely at the buyer's risk, and the buyer agrees to defend, indemnify and hold harmless Microchip from any and all damages, claims, suits, or expenses resulting from such use. No licenses are conveyed, implicitly or otherwise, under any Microchip intellectual property rights unless otherwise stated.

Trademarks

The Microchip name and logo, the Microchip logo, AnyRate, dsPIC, FlashFlex, flexPWR, Heldo, JukeBlox, KeeLoq, KeeLoq logo, Kleer, LANCheck, LINK MD, MediaLB, MOST, MOST logo, MPLAB, OptoLyzer, PIC, PICSTART, PIC32 logo, RightTouch, SpyNIC, SST, SST Logo, SuperFlash and UNI/O are registered trademarks of Microchip Technology Incorporated in the U.S.A. and other countries.

ClockWorks, The Embedded Control Solutions Company, ETHERSYNCH, Hyper Speed Control, HyperLight Load, IntelliMOS, mTouch, Precision Edge, and QUIET-WIRE are registered trademarks of Microchip Technology Incorporated in the U.S.A.

Analog-for-the-Digital Age, Any Capacitor, AnyIn, AnyOut, BodyCom, chipKIT, chipKIT logo, CodeGuard, dsPICDEM, dsPICDEM.net, Dynamic Average Matching, DAM, ECAN, EtherGREEN, In-Circuit Serial Programming, ICSP, Inter-Chip Connectivity, JitterBlocker, KleerNet, KleerNet logo, MiWi, motorBench, MPASM, MPF, MPLAB Certified logo, MPLIB, MPLINK, MultiTRAK, NetDetach, Omniscient Code Generation, PICDEM, PICDEM.net, PICKit, PICtail, PureSilicon, RightTouch logo, REAL ICE, Ripple Blocker, Serial Quad I/O, SQI, SuperSwitcher, SuperSwitcher II, Total Endurance, TSHARC, USBCheck, VariSense, ViewSpan, WiperLock, Wireless DNA, and ZENA are trademarks of Microchip Technology Incorporated in the U.S.A. and other countries.

SQTP is a service mark of Microchip Technology Incorporated in the U.S.A.

Silicon Storage Technology is a registered trademark of Microchip Technology Inc. in other countries.

GestIC is a registered trademarks of Microchip Technology Germany II GmbH & Co. KG, a subsidiary of Microchip Technology Inc., in other countries.

All other trademarks mentioned herein are property of their respective companies.

ISBN: 9781522409816

QUALITY MANAGEMENT SYSTEM
CERTIFIED BY DNV
== ISO/TS 16949 ==

Microchip received ISO/TS-16949:2009 certification for its worldwide headquarters, design and wafer fabrication facilities in Chandler and Tempe, Arizona; Gresham, Oregon and design centers in California and India. The Company's quality system processes and procedures are for its PIC® MCUs and dsPIC® DSCs, KEELOQ® code hopping devices, Serial EEPROMs, microperipherals, nonvolatile memory and analog products. In addition, Microchip's quality system for the design and manufacture of development systems is ISO 9001:2000 certified.



Worldwide Sales and Service

AMERICAS

Corporate Office

2355 West Chandler Blvd.
Chandler, AZ 85224-6199

Tel: 480-792-7200

Fax: 480-792-7277

Technical Support:

[http://www.microchip.com/
support](http://www.microchip.com/support)

Web Address:

www.microchip.com

Atlanta

Duluth, GA

Tel: 678-957-9614

Fax: 678-957-1455

Austin, TX

Tel: 512-257-3370

Boston

Westborough, MA

Tel: 774-760-0087

Fax: 774-760-0088

Chicago

Itasca, IL

Tel: 630-285-0071

Fax: 630-285-0075

Cleveland

Independence, OH

Tel: 216-447-0464

Fax: 216-447-0643

Dallas

Addison, TX

Tel: 972-818-7423

Fax: 972-818-2924

Detroit

Novi, MI

Tel: 248-848-4000

Houston, TX

Tel: 281-894-5983

Indianapolis

Noblesville, IN

Tel: 317-773-8323

Fax: 317-773-5453

Los Angeles

Mission Viejo, CA

Tel: 949-462-9523

Fax: 949-462-9608

New York, NY

Tel: 631-435-6000

San Jose, CA

Tel: 408-735-9110

Canada - Toronto

Tel: 905-695-1980

Fax: 905-695-2078

ASIA/PACIFIC

Asia Pacific Office

Suites 3707-14, 37th Floor
Tower 6, The Gateway
Harbour City, Kowloon

Hong Kong

Tel: 852-2943-5100

Fax: 852-2401-3431

Australia - Sydney

Tel: 61-2-9868-6733

Fax: 61-2-9868-6755

China - Beijing

Tel: 86-10-8569-7000

Fax: 86-10-8528-2104

China - Chengdu

Tel: 86-28-8665-5511

Fax: 86-28-8665-7889

China - Chongqing

Tel: 86-23-8980-9588

Fax: 86-23-8980-9500

China - Dongguan

Tel: 86-769-8702-9880

China - Guangzhou

Tel: 86-20-8755-8029

China - Hangzhou

Tel: 86-571-8792-8115

Fax: 86-571-8792-8116

China - Hong Kong SAR

Tel: 852-2943-5100

Fax: 852-2401-3431

China - Nanjing

Tel: 86-25-8473-2460

Fax: 86-25-8473-2470

China - Qingdao

Tel: 86-532-8502-7355

Fax: 86-532-8502-7205

China - Shanghai

Tel: 86-21-5407-5533

Fax: 86-21-5407-5066

China - Shenyang

Tel: 86-24-2334-2829

Fax: 86-24-2334-2393

China - Shenzhen

Tel: 86-755-8864-2200

Fax: 86-755-8203-1760

China - Wuhan

Tel: 86-27-5980-5300

Fax: 86-27-5980-5118

China - Xian

Tel: 86-29-8833-7252

Fax: 86-29-8833-7256

ASIA/PACIFIC

China - Xiamen

Tel: 86-592-2388138

Fax: 86-592-2388130

China - Zhuhai

Tel: 86-756-3210040

Fax: 86-756-3210049

India - Bangalore

Tel: 91-80-3090-4444

Fax: 91-80-3090-4123

India - New Delhi

Tel: 91-11-4160-8631

Fax: 91-11-4160-8632

India - Pune

Tel: 91-20-3019-1500

Japan - Osaka

Tel: 81-6-6152-7160

Fax: 81-6-6152-9310

Japan - Tokyo

Tel: 81-3-6880-3770

Fax: 81-3-6880-3771

Korea - Daegu

Tel: 82-53-744-4301

Fax: 82-53-744-4302

Korea - Seoul

Tel: 82-2-554-7200

Fax: 82-2-558-5932 or

82-2-558-5934

Malaysia - Kuala Lumpur

Tel: 60-3-6201-9857

Fax: 60-3-6201-9859

Malaysia - Penang

Tel: 60-4-227-8870

Fax: 60-4-227-4068

Philippines - Manila

Tel: 63-2-634-9065

Fax: 63-2-634-9069

Singapore

Tel: 65-6334-8870

Fax: 65-6334-8850

Taiwan - Hsin Chu

Tel: 886-3-5778-366

Fax: 886-3-5770-955

Taiwan - Kaohsiung

Tel: 886-7-213-7828

Taiwan - Taipei

Tel: 886-2-2508-8600

Fax: 886-2-2508-0102

Thailand - Bangkok

Tel: 66-2-694-1351

Fax: 66-2-694-1350

EUROPE

Austria - Wels

Tel: 43-7242-2244-39

Fax: 43-7242-2244-393

Denmark - Copenhagen

Tel: 45-4450-2828

Fax: 45-4485-2829

France - Paris

Tel: 33-1-69-53-63-20

Fax: 33-1-69-30-90-79

Germany - Dusseldorf

Tel: 49-2129-3766400

Germany - Karlsruhe

Tel: 49-721-625370

Germany - Munich

Tel: 49-89-627-144-0

Fax: 49-89-627-144-44

Italy - Milan

Tel: 39-0331-742611

Fax: 39-0331-466781

Italy - Venice

Tel: 39-049-7625286

Netherlands - Drunen

Tel: 31-416-690399

Fax: 31-416-690340

Poland - Warsaw

Tel: 48-22-3325737

Spain - Madrid

Tel: 34-91-708-08-90

Fax: 34-91-708-08-91

Sweden - Stockholm

Tel: 46-8-5090-4654

UK - Wokingham

Tel: 44-118-921-5800

Fax: 44-118-921-5820

06/23/16

Mouser Electronics

Authorized Distributor

Click to View Pricing, Inventory, Delivery & Lifecycle Information:

Microchip:

[SEC1110-A5-02NC-TR](#) [SEC1110-A5-02NC](#) [SEC1210-CN-02NC-TR](#) [SEC1210-CN-02-TR](#) [SEC1110I-A5-02](#)
[SEC1110-A5-02-TR](#) [SEC1210-CN-02NC](#) [SEC1110I-A5-02-TR](#) [SEC1210-CN-02](#) [SEC1210I-CN-02](#) [SEC1110-A5-02](#)
[SEC1210I-CN-02-TR](#)