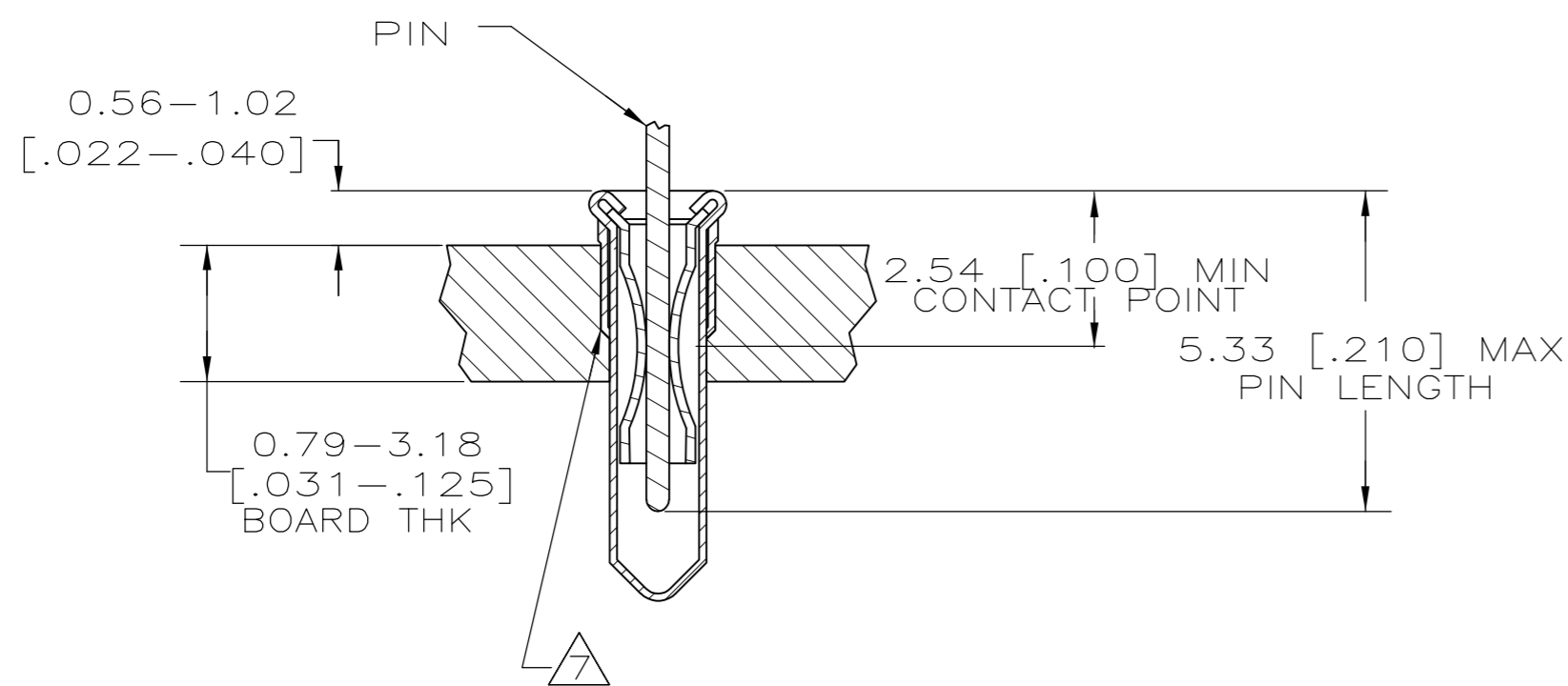
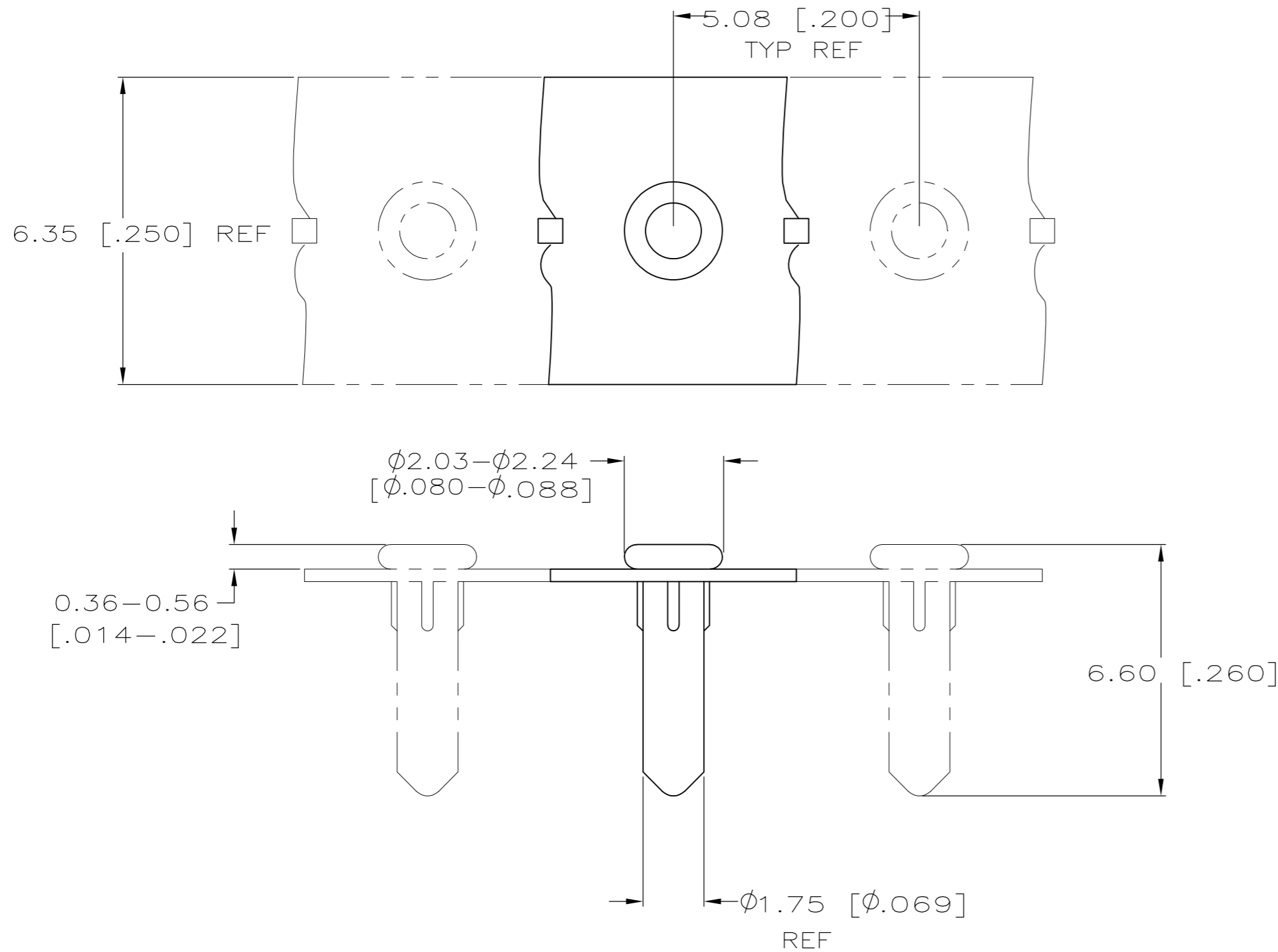


THIS DRAWING IS UNPUBLISHED. RELEASED FOR PUBLICATION
 © COPYRIGHT - By - ALL RIGHTS RESERVED.

LOC	DIST	REVISIONS			
P	LTR	DESCRIPTION	DATE	DWN	APVD
AG	53	B1	REV PER ECO-14-003120	07MAR2014	AP AS



- 1 MATERIAL:
EYELET- COPPER PER ASTM B 152.
SPRING- BERYLLIUM-COPPER PER ASTM B 194.
- 2 TIN PLATE PER ASTM B 545, 0.00254 [.000100]
MINIMUM THICKNESS.
- 3 NICKEL UNDERPLATE ALL OVER, MATING SURFACE PLATED
TO MEET PERFORMANCE REQUIREMENTS OF TYCO PRODUCT
SPECIFICATION 108-14008.
- 4 PACKAGE 50,000 PER REEL.
- 5 PACKAGE 10,000 PER REEL.
- 6 TO ENSURE 1/2 OZ MIN RETENTION, DO NOT
NOT EXCEED 0.50 [.002] DIFFERENCE IN PIN DIA
WHEN CHANGING TO A SMALLER DIA PIN.
- 7 SHOULDER ON SOCKET PROVIDES RETENTION IN THE
P.C. BOARD. THE RECOMMENDED HOLE DIAMETER IS
φ1.75 [φ.069] MINIMUM, + 0.08 [.003] MAXIMUM
PRIOR TO SOLDERING.

5	φ0.94-φ1.04 [φ.037-φ.041]	TIN 2	TIN 2	1-5645502-2
5	φ0.94-φ1.04 [φ.037-φ.041]	GOLD 3	TIN 2	1-5645502-1
4	φ0.94-φ1.04 [φ.037-φ.041]	GOLD 3	TIN 2	5645502-1
PACKAGING	PIN DIA 6	SPRING EYELET FINISH		PART NO

THIS DRAWING IS A CONTROLLED DOCUMENT.		DWN	J. POLIGNONE	26JAN06		TE Connectivity			
DIMENSIONS: mm [INCHES]		CHK	J. HAVENER	26JAN06		MINIATURE SPRING SOCKET ASSY SERIES 4			
TOLERANCES UNLESS OTHERWISE SPECIFIED:		APVD	J. HAVENER	26JAN06		NAME	-		
0 PLC ± -	1 PLC ± -	PRODUCT SPEC	108-14008	SIZE		CAGE CODE	DRAWING NO	RESTRICTED TO	
2 PLC ± -	3 PLC ± 0.20[.008]	APPLICATION SPEC	114-26004	A2	00779	C=5645502	-		
4 PLC ± -	ANGLES ± -	FINISH	SEE TABLE	WEIGHT	-	SCALE	10:1		
MATERIAL	1	CUSTOMER DRAWING		SHEET	1 OF 1	REV	B1		

Mouser Electronics

Authorized Distributor

Click to View Pricing, Inventory, Delivery & Lifecycle Information:

[TE Connectivity:](#)

[1-5645502-1](#)