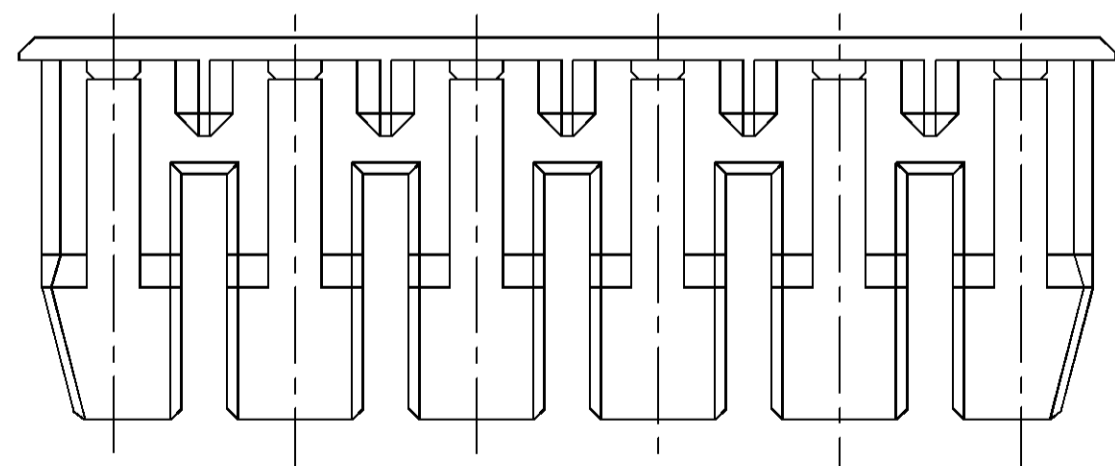
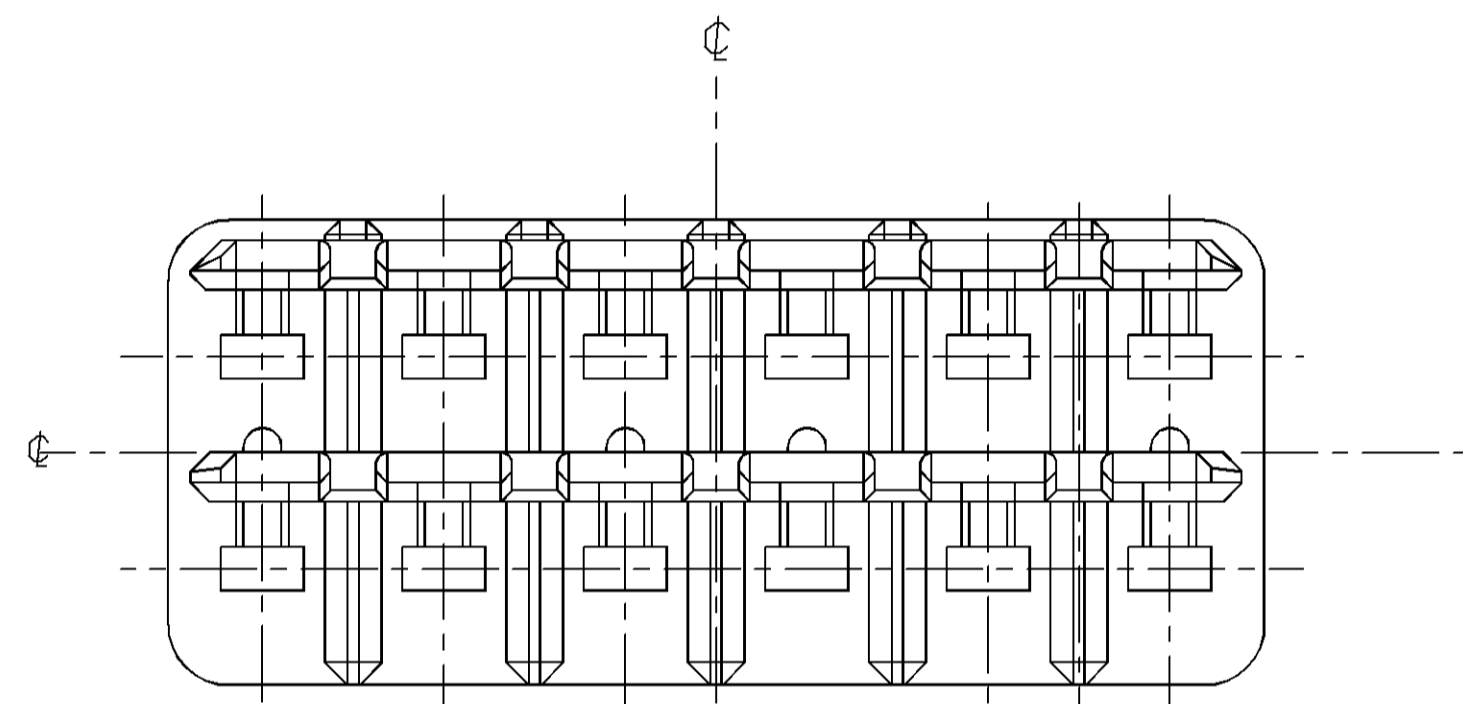
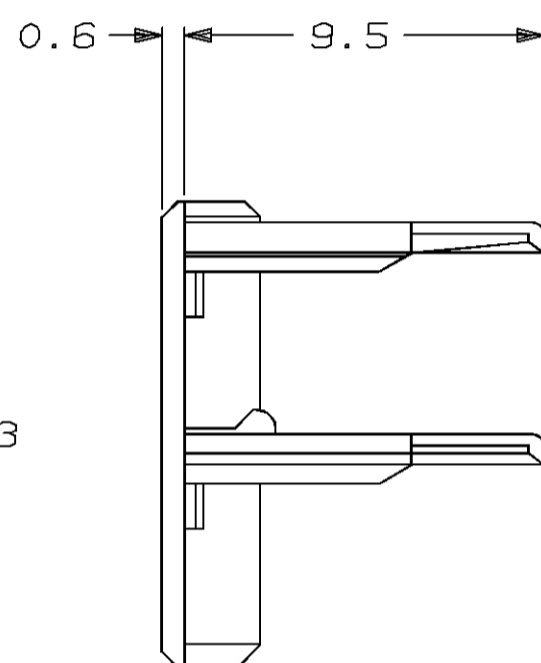
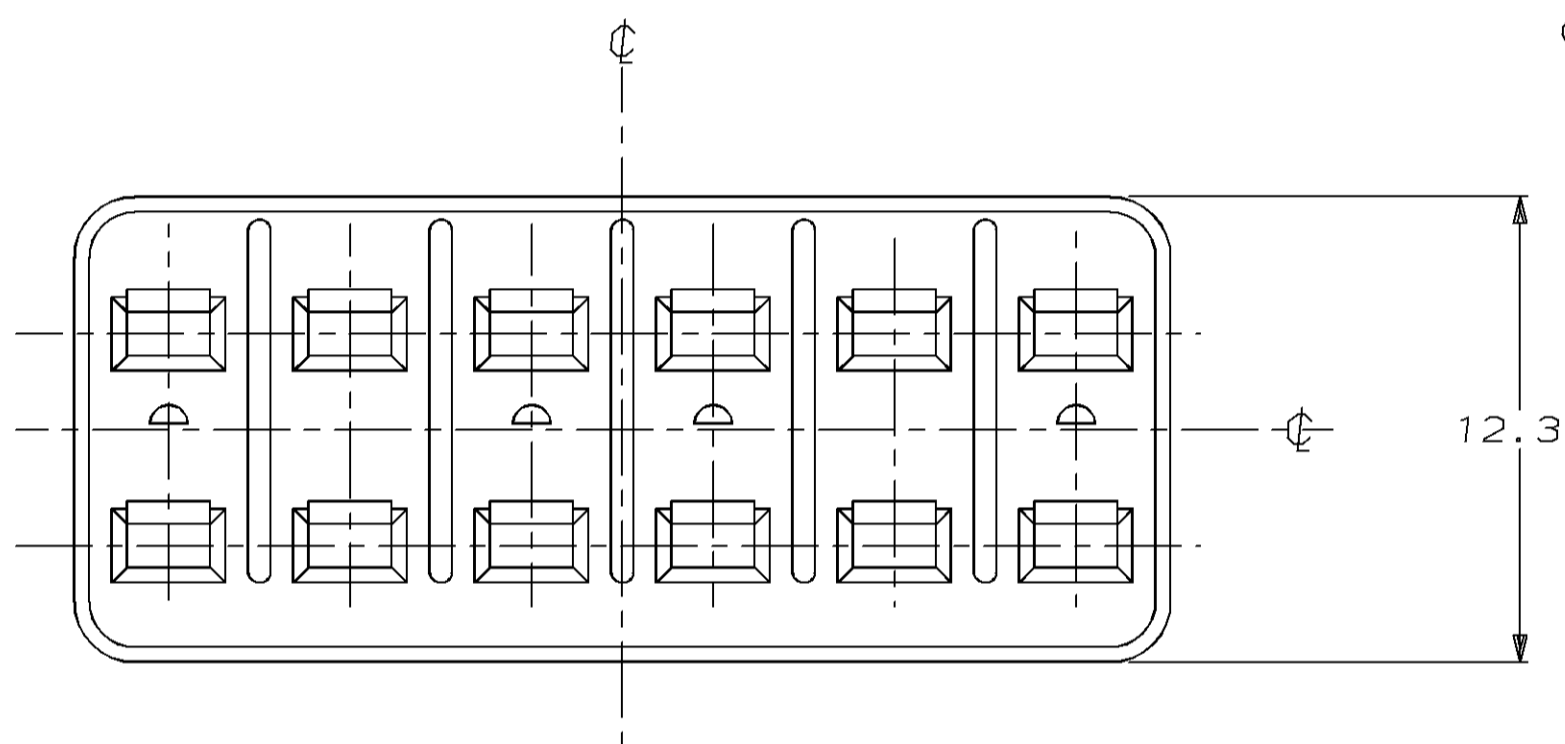
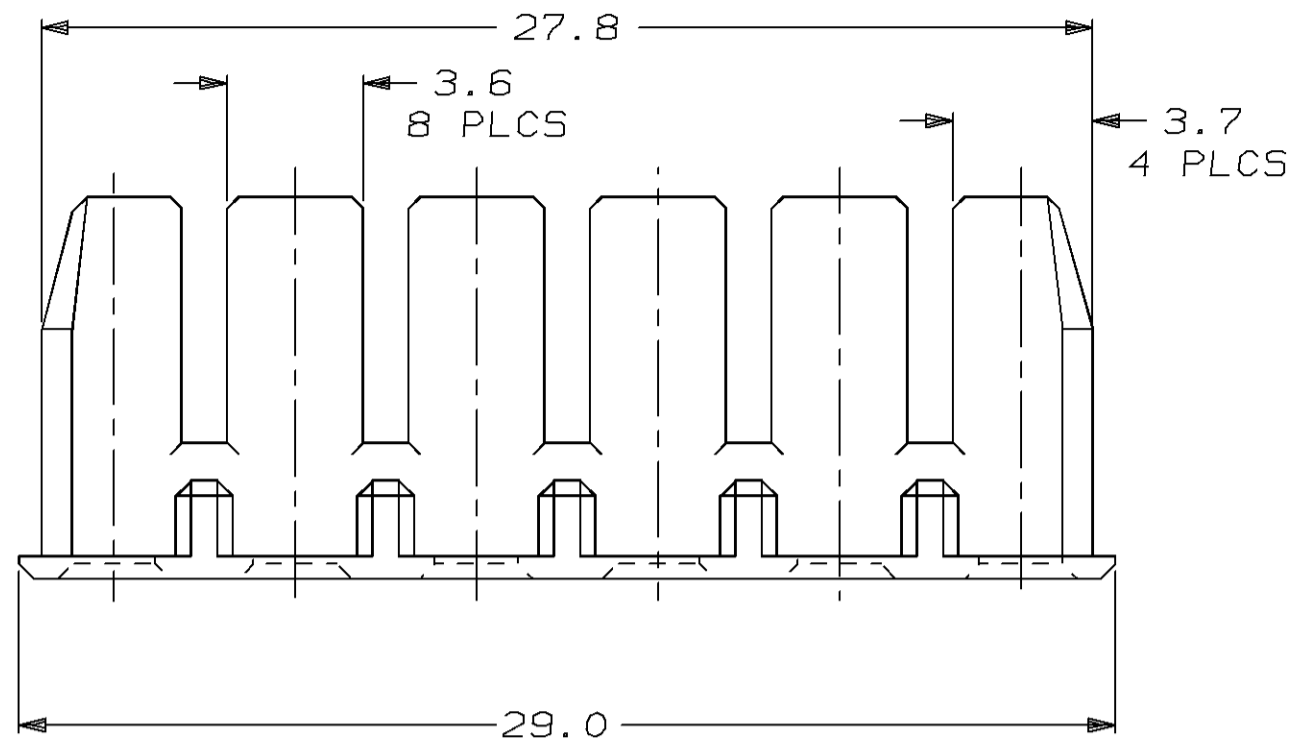


THIS DRAWING IS UNPUBLISHED. RELEASED FOR PUBLICATION
 BY AMP INCORPORATED. ALL RIGHTS RESERVED.

LOC		DST		REVISIONS			
P	LTR	DESCRIPTION	DATE	DWN	APVD		
G	16	0	INITIAL RELEASE	-	-		



184058-1
PART NO

<small>THIS DRAWING IS A CONTROLLED DOCUMENT FOR AMP INCORPORATED. IT IS SUBJECT TO CHANGE AND THE CONTROLLING ENGINEERING ORGANIZATION SHOULD BE CONTACTED FOR THE LATEST REVISION.</small>		DWN	11/22/94	AMP AMP Incorporated Harrisburg, PA 17105-3608	
DIMENSIONS: mm 		CHK	1/11/95		
TOLERANCES UNLESS OTHERWISE SPECIFIED: 0 PLC ±- 1 PLC ±0.3 2 PLC ±- 3 PLC ±- 4 PLC ±- ANGLES ±1° FINISH -		APVD	1/11/95	NAME DOUBLE LOCK PLATE, SENSOR, 12 POSITION	
MATERIAL: PBT-GLASS REINF. YELLOW		PRODUCT SPEC	-		
		APPLICATION SPEC	-	SIZE	A2
		WEIGHT	-	CAGE CODE	00779
		CUSTOMER DRAWING	-	DRAWING NO	©=184058
				SCALE	5:1
				SHEET	1 OF 1
				REV	0

184058

Mouser Electronics

Authorized Distributor

Click to View Pricing, Inventory, Delivery & Lifecycle Information:

[TE Connectivity:](#)

[184058-1](#)