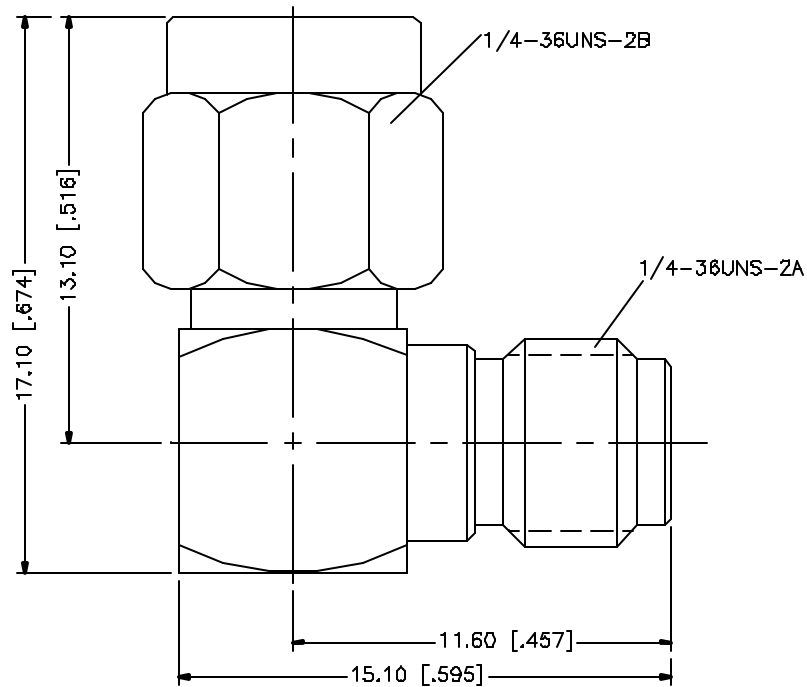


REV.	DATE	DESCRIPTION
NC	08/01/99	INITIAL RELEASE
A	05/01/04	UPDATE DRAWING FORMAT



8					<p>UNLESS OTHERWISE SPECIFIED DIMENSIONS ARE IN MILLIMETERS DIMENSIONS IN [] ARE IN INCHES AND FOR CUSTOMER REFERENCE ONLY.</p> <p>UNLESS OTHERWISE SPECIFIED TOLERANCES FOR MILLIMETERS ARE: 0.5 - 8mm ± 0.20mm 8 - 30mm ± 0.40mm 30 - 120mm ± 0.50mm</p> <p>UNLESS OTHERWISE SPECIFIED TOLERANCES FOR INCHES ARE: .020 - .315 = ± 0.007" .315 - 1.180 = ± 0.015" 1.180 - 4.724 = ± 0.020"</p> <p>DO NOT SCALE DRAWING</p>	APPROVALS	DATE	<h1 style="color: blue; text-align: center;">Amphenol Connex</h1>					
7						DRAWN	G.R.S.					05/01/04	PART DESCRIPTION <h2 style="text-align: center;">SMA MALE TO FEMALE R/A ADAPTOR</h2>
6							CHECKED		PART NO. <h2 style="text-align: center;">132172</h2>				
5							ISSUED						DWG. NO. 132172.DWG
4	CONTACT PIN	BER. COPPER	GOLD	1			SHEET	1 OF 1	REV.	A	SIZE	A	
3	CONTACT PIN	BRASS	GOLD	1									
2	INSULATOR	TEFLON	NATURAL	1									
1	HOUSING/BODY	BRASS	GOLD	1									
	DESCRIPTION	MATERIAL	FINISH	QTY									

CAD FILE
C:/132/132172.DWG

Mouser Electronics

Authorized Distributor

Click to View Pricing, Inventory, Delivery & Lifecycle Information:

[Amphenol:](#)

[132172](#)