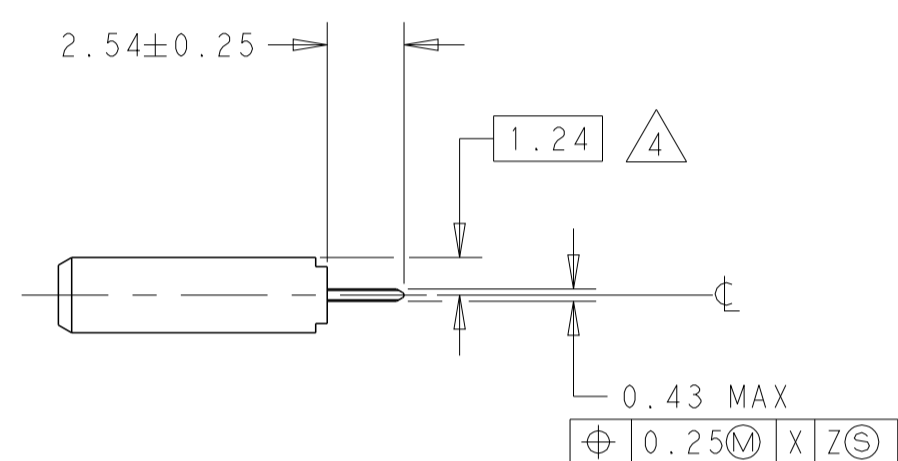
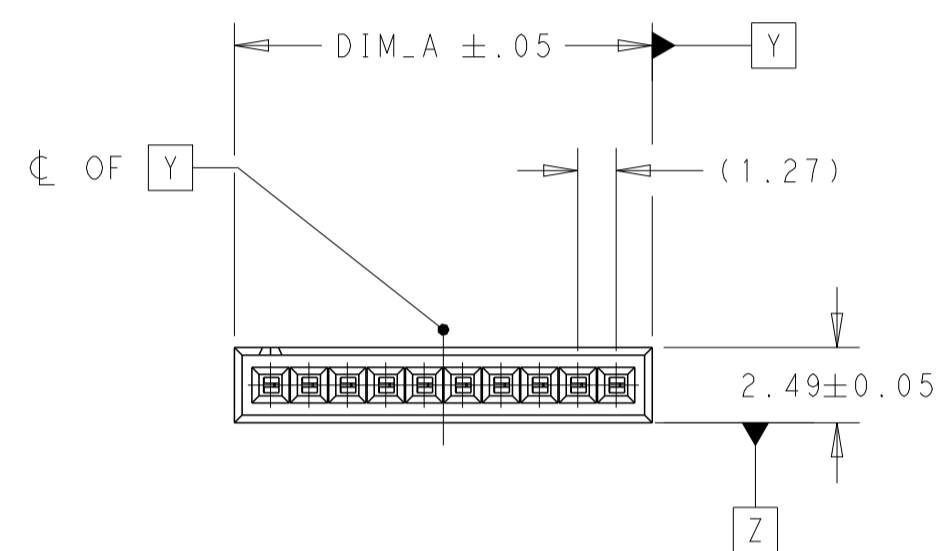
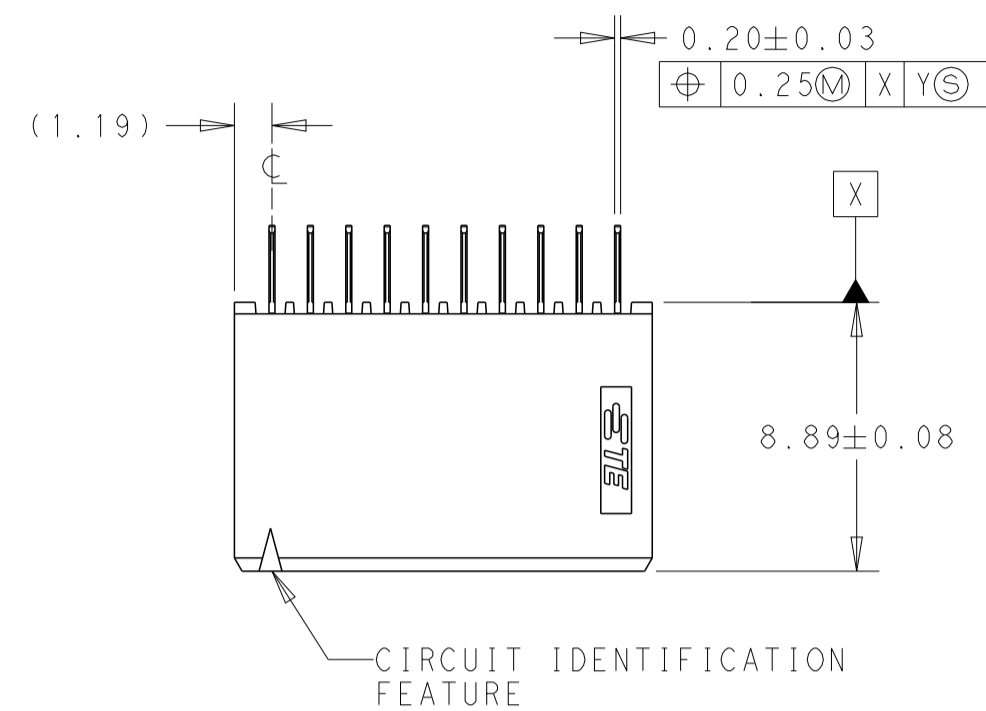
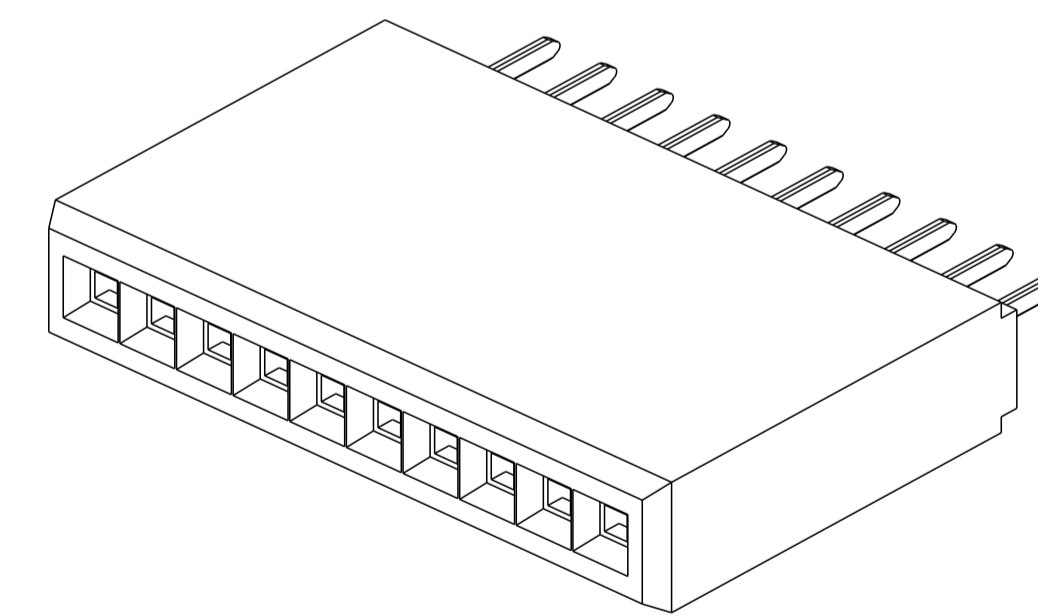
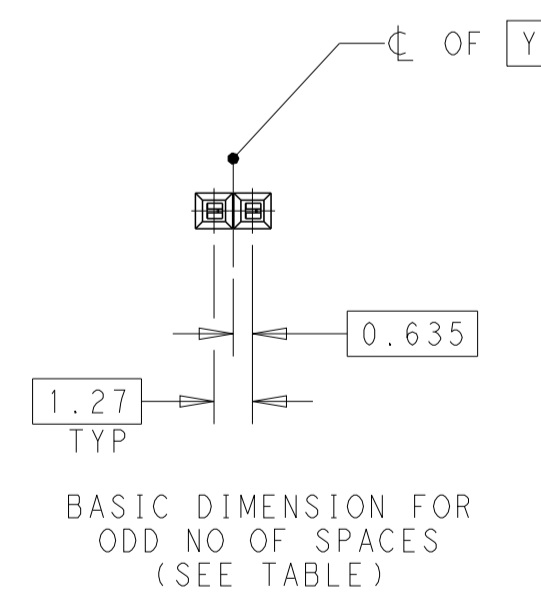
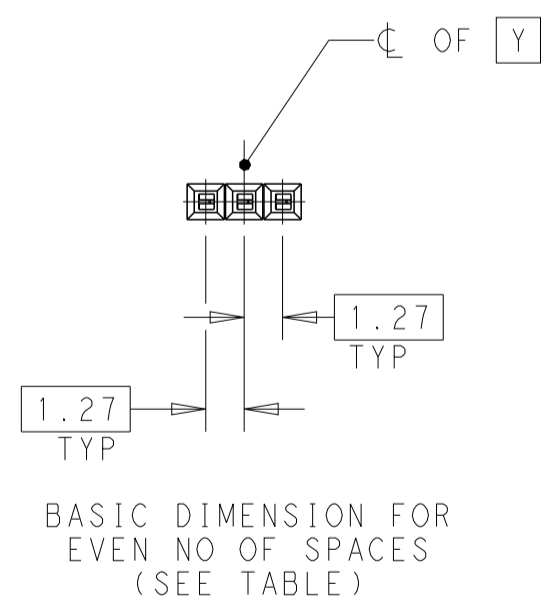
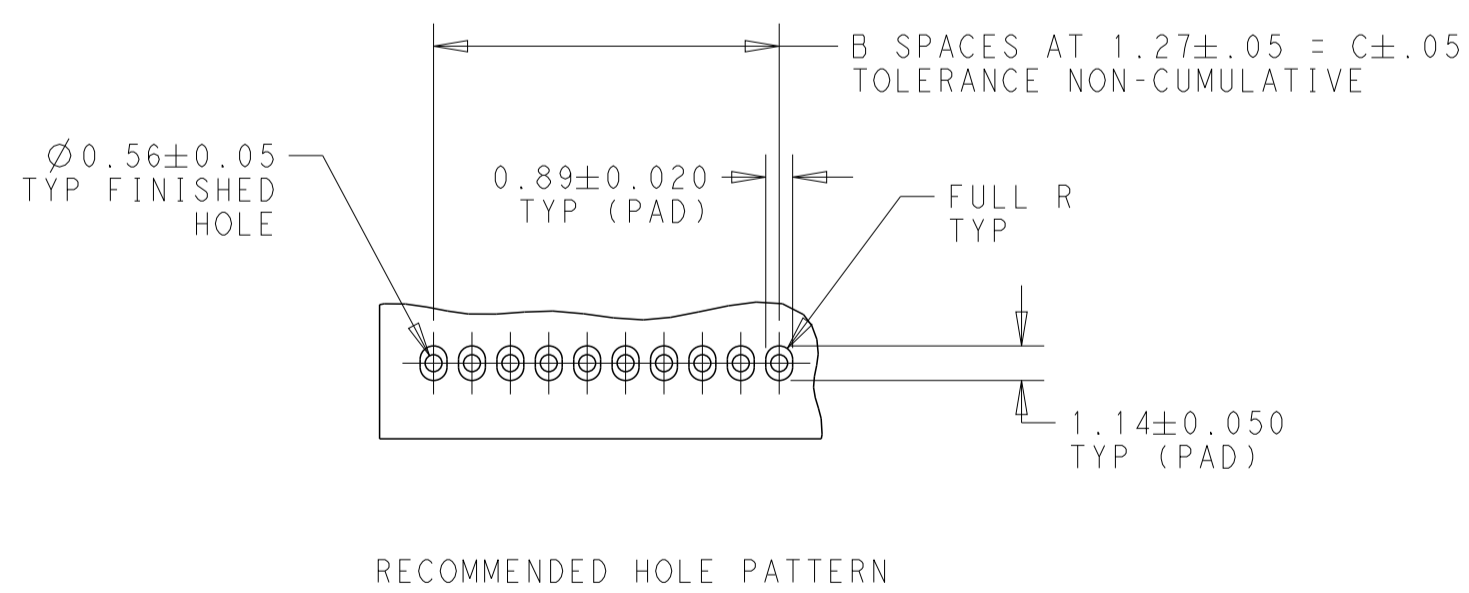


REVISIONS				
P	LTN	DESCRIPTION	DATE	APVD
U		REDRAWN/REVISED PER ECO-17-001757	07NOV2017	GR JO



- 1 CONTACT AREAS PLATED WITH 0.76µm GOLD, SOLDER TAILS PLATED WITH 3.81µm TIN-LEAD, ALL OVER 1.27µm NICKEL
- 2 NOTE DELETED.
- 3 NOTE DELETED.
- 4 THE NOTED DIMENSIONS APPLY AT THE INTERSECTION OF THE POST AND HOUSING.
- 5 CONTACT AREAS PLATED WITH 0.76µm GOLD, SOLDER TAILS PLATED WITH 3.81µm TIN, ALL OVER 1.27µm NICKEL
- 6 NOTE DELETED.
- 7 FINISH: 0.03µm MIN GOLD ON GOLD PLATED AREA, 3.81µm MATTE IN TIN-LEAD ON TIN PLATED AREA, UNDER PLATING: 1.27µm NICKEL ON ENTIRE CONTACT.
- 8 FINISH: 0.03µm MIN GOLD ON GOLD PLATED AREA, 3.81µm MATTE IN TIN ON TIN PLATED AREA, UNDER PLATING: 1.27µm NICKEL ON ENTIRE CONTACT
- 9 NOTE DELETED.
- 10 MATERIAL- HOUSING: LCP
 COLOR: BLACK
 POST: COPPER ALLOY



SCALE 8:1

THIS DRAWING IS A CONTROLLED DOCUMENT.		DWN G. RAMESH 07NOV2017	TE Connectivity
DIMENSIONS: mm		CHK J. OLSON 07NOV2017	
TOLERANCES UNLESS OTHERWISE SPECIFIED:		APVD J. OLSON 07NOV2017	NAME RECEPTACLE ASSEMBLY, VERTICAL, SINGLE ROW, AMPMODU System 50
0 PLC ±	1 PLC ±0.3	PRODUCT SPEC 108-1093	SIZE CAGE CODE DRAWING NO RESTRICTED TO
2 PLC ±0.13	3 PLC ±	APPLICATION SPEC 114-25031	A100779C=104192
4 PLC ±	ANGLES ±0.5°	WEIGHT -	SCALE 4:1 SHEET 1 OF 2 REV U
MATERIAL	FINISH SEE DETAIL	CUSTOMER DRAWING	


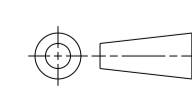
THIS DRAWING IS UNPUBLISHED. RELEASED FOR PUBLICATION 20
 © COPYRIGHT 20 BY - ALL RIGHTS RESERVED.

REVISIONS				
P	LTN	DESCRIPTION	DATE	APVD
-		SEE SHEET 1	-	-

8	31.75	25	34.14	26	8-104192-0
	15.24	13	17.63	13	7-104192-9
	5.08	4	7.47	5	7-104192-8
	36.83	29	39.22	30	7-104192-7
	30.48	24	32.87	25	7-104192-6
	24.13	19	26.52	20	7-104192-5
	17.78	14	20.17	15	7-104192-4
	13.97	11	16.36	12	7-104192-3
	11.43	9	13.82	10	7-104192-2
8.89	7	11.28	8	7-104192-1	
5	31.75	25	34.14	26	6-104192-0
	15.24	13	17.63	13	5-104192-9
	5.08	4	7.47	5	5-104192-8
	36.83	29	39.22	3	5-104192-7
	30.48	24	32.87	25	5-104192-6
	24.13	19	26.52	20	5-104192-5
	17.78	14	20.17	15	5-104192-4
	13.97	11	16.36	12	5-104192-3
	11.43	9	13.82	10	5-104192-2
8.89	7	11.28	8	5-104192-1	
FINISH	DIM_C	B SPACES	DIM_A	NO OF POSN	PART NUMBER

7	31.75	25	34.14	26	3-104192-0
	15.24	13	17.63	13	2-104192-9
	5.08	4	7.47	5	2-104192-8
	36.83	29	39.22	30	2-104192-7
	30.48	24	32.87	25	2-104192-6
	24.13	19	26.52	20	2-104192-5
	17.78	14	20.17	15	2-104192-4
	13.97	11	16.36	12	2-104192-3
	11.43	9	13.82	10	2-104192-2
8.89	7	11.28	8	2-104192-1	
1	31.75	25	34.14	26	1-104192-0
	15.24	13	17.63	13	104192-9
	5.08	4	7.47	5	104192-8
	36.83	29	39.22	3	104192-7
	30.48	24	32.87	25	104192-6
	24.13	19	26.52	20	104192-5
	17.78	14	20.17	15	104192-4
	13.97	11	16.36	12	104192-3
	11.43	9	13.82	10	104192-2
8.89	7	11.28	8	104192-1	
FINISH	DIM_C	B SPACES	DIM_A	NO OF POSN	PART NUMBER

THIS DRAWING IS A CONTROLLED DOCUMENT.

DIMENSIONS:	TOLERANCES UNLESS OTHERWISE SPECIFIED:	DWN G. RAMESH 07NOV2017	
mm	0 PLC ± 1 PLC ±0.3 2 PLC ±0.13 3 PLC ± 4 PLC ± ANGLES ±0.5°	CHK J. OLSON 07NOV2017	
		APVD J. OLSON 07NOV2017	
MATERIAL	SEE DETAIL	NAME RECEPTACLE ASSEMBLY, VERTICAL, SINGLE ROW, AMPMODU System 50	
		PRODUCT SPEC 108-1093	
		APPLICATION SPEC 114-25031	
		WEIGHT -	RESTRICTED TO
		CUSTOMER DRAWING	SIZE A1 CAGE CODE 00779 DRAWING NO C=104192
			SCALE 4:1 SHEET 2 OF 2 REV U

Mouser Electronics

Authorized Distributor

Click to View Pricing, Inventory, Delivery & Lifecycle Information:

[TE Connectivity:](#)

[5-104192-2](#) [5-104192-1](#)