

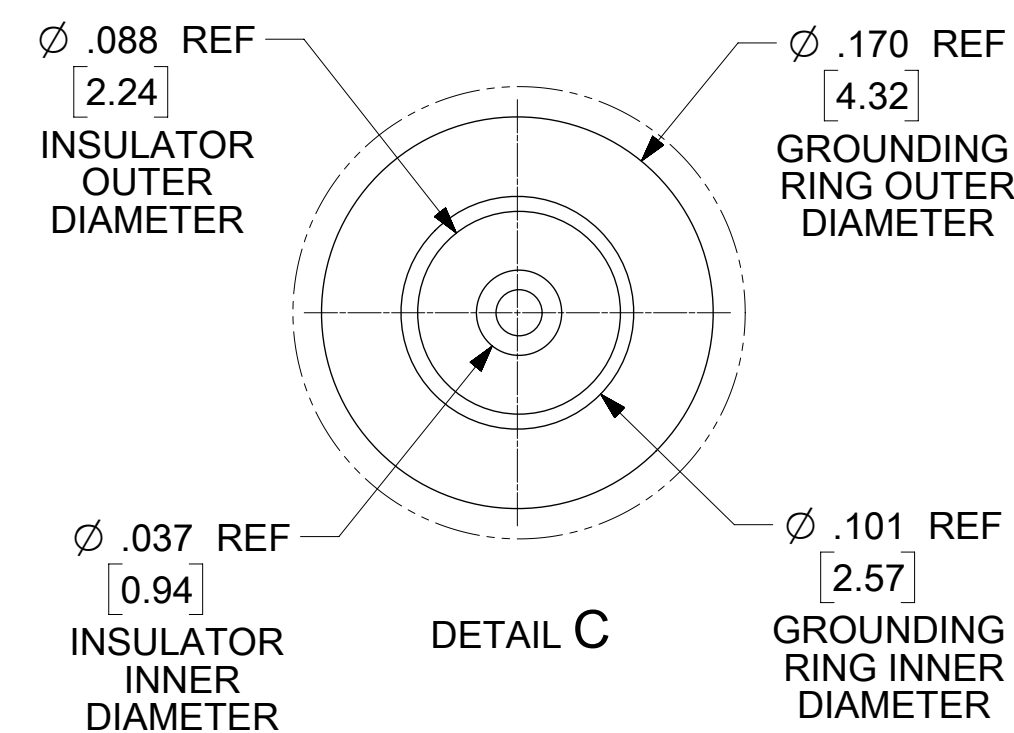
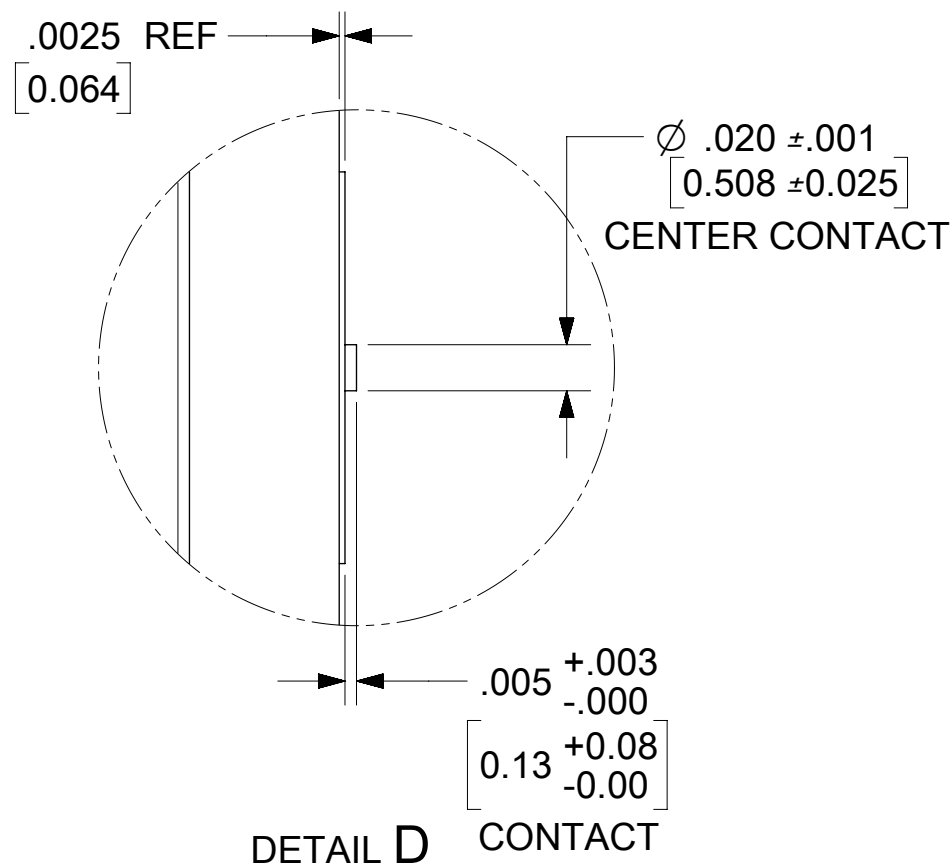
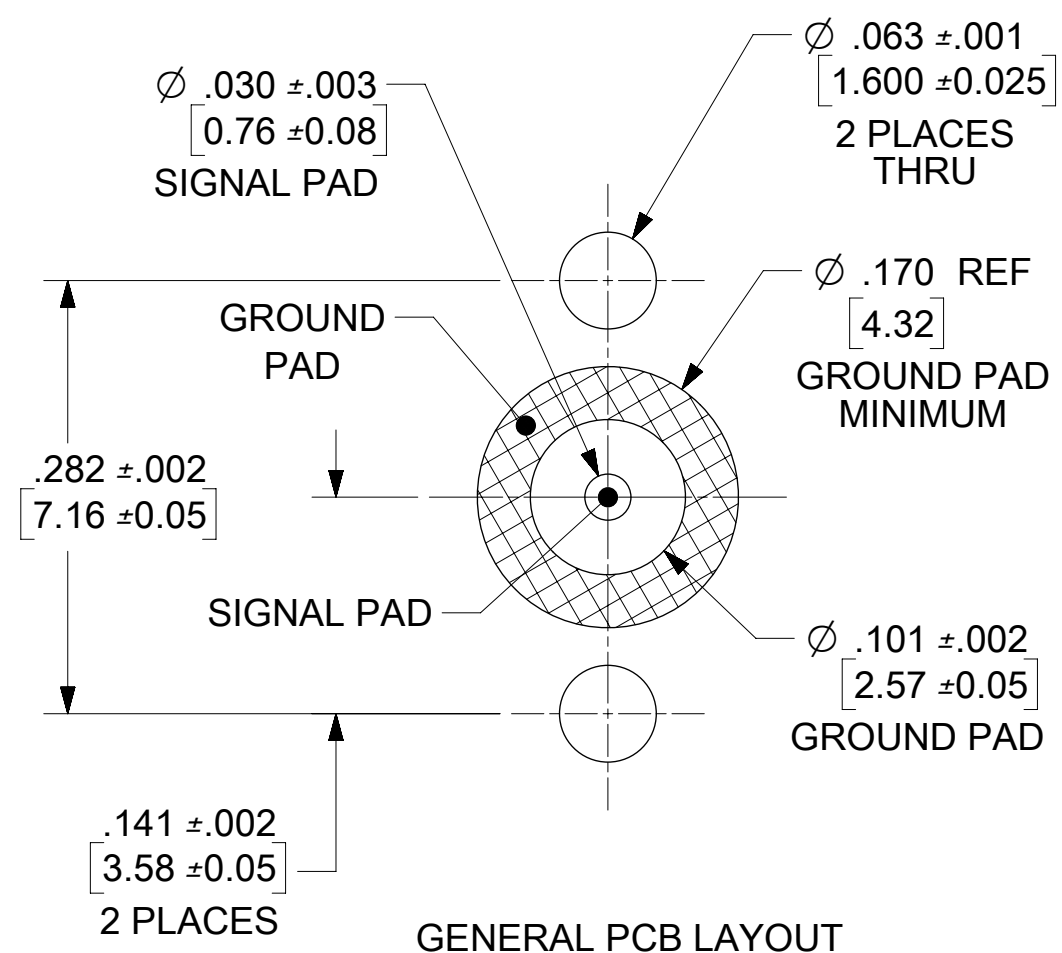
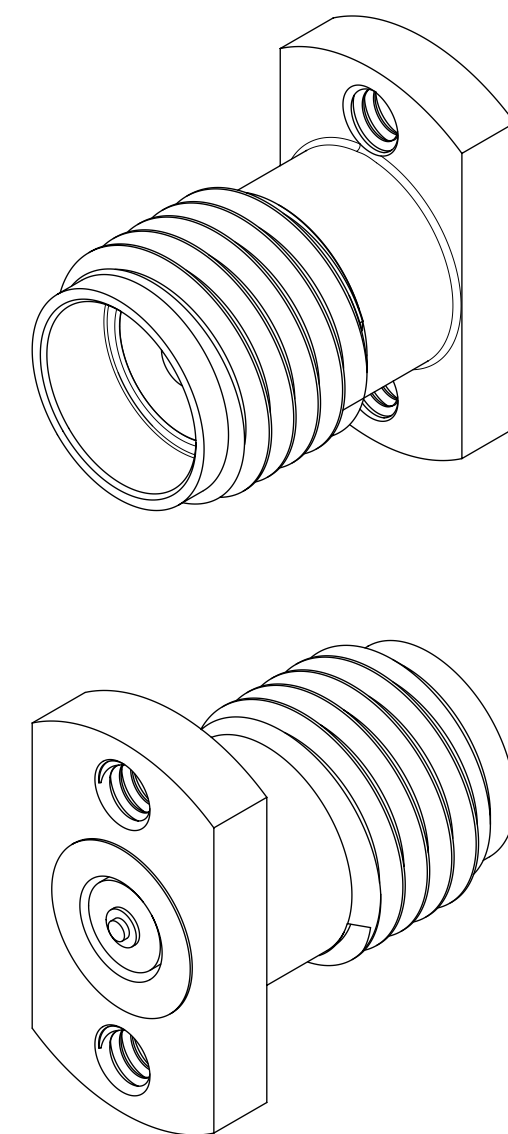
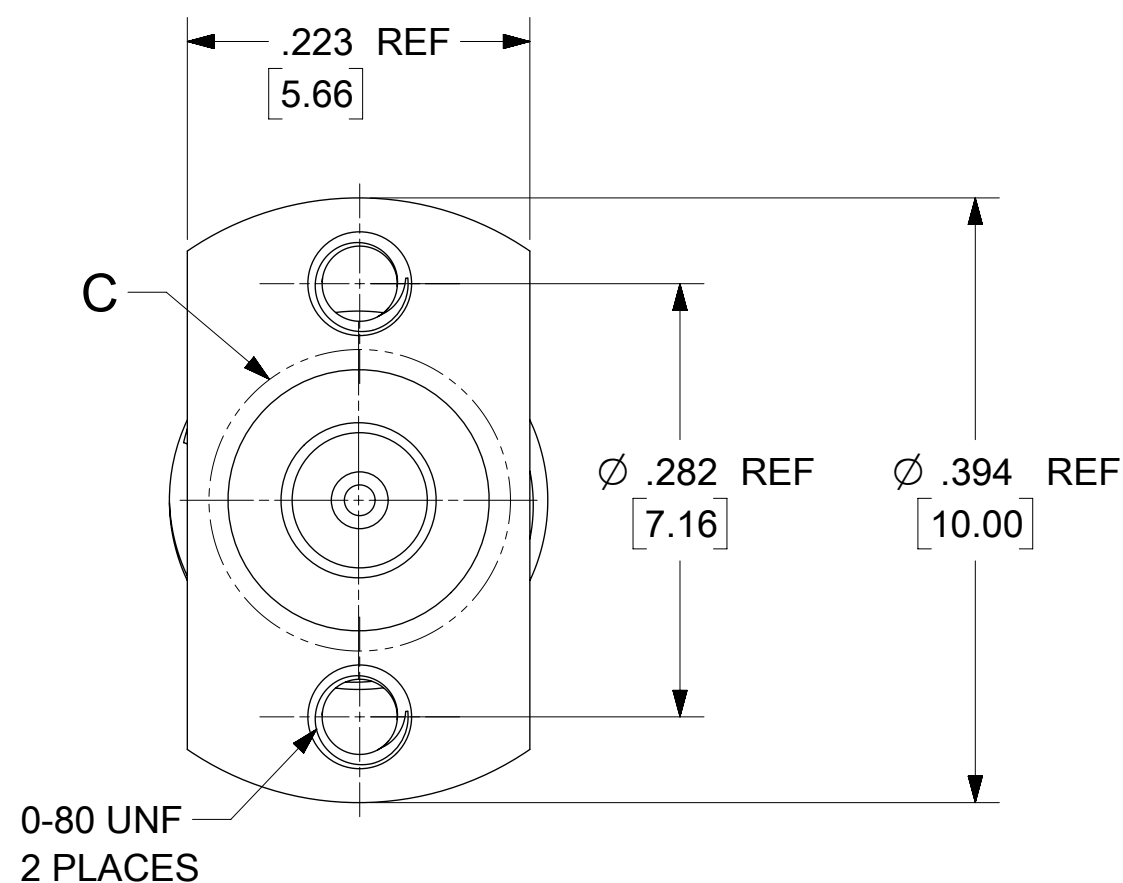
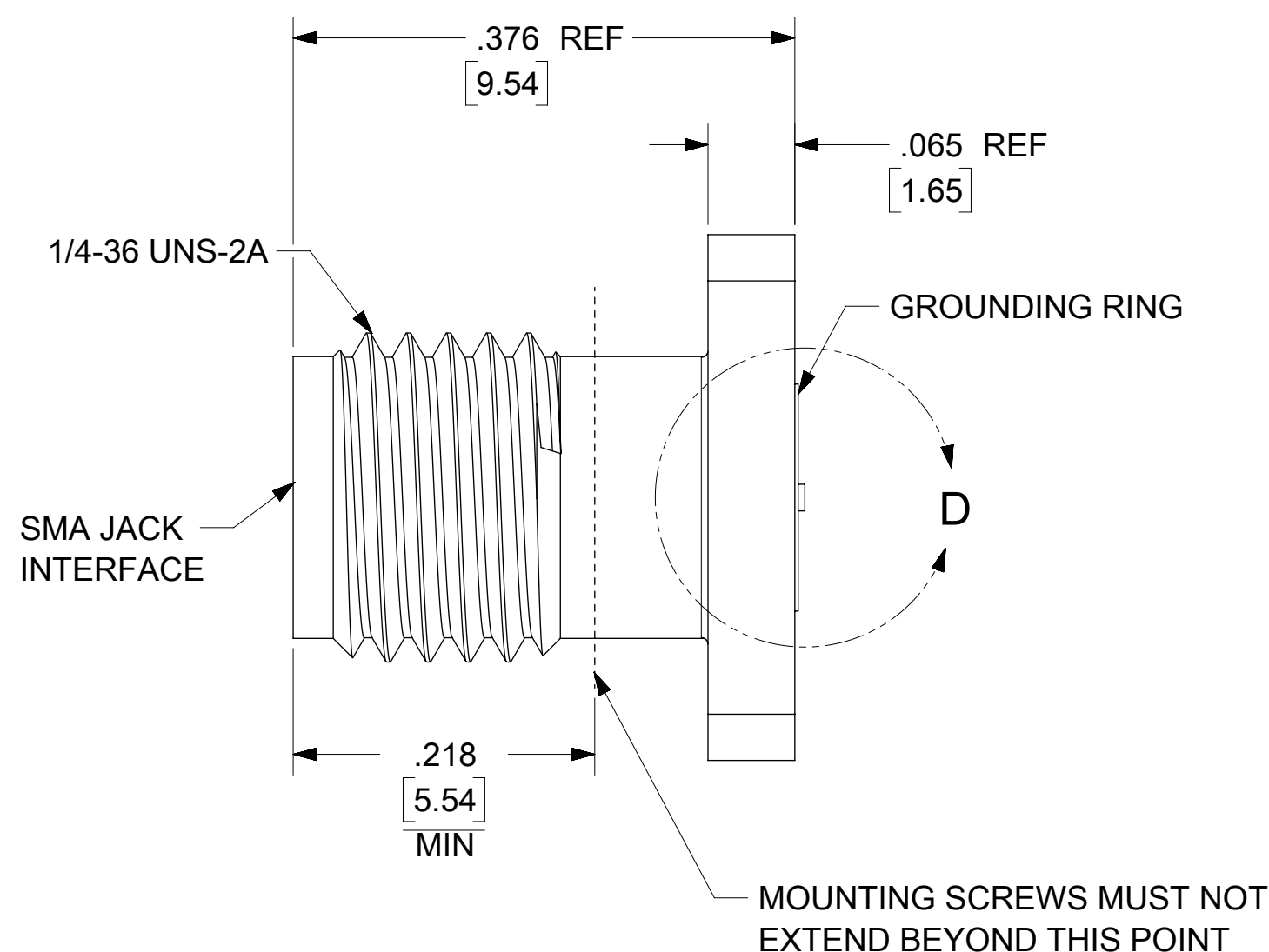
MATERIALS AND FINISHES:

BODY: STAINLESS STEEL  
PLATED: PASSIVATE

CENTER CONTACT: BERYLLIUM COPPER  
PLATED: GOLD (50μ-in) MIN  
OVER NICKEL (100μ -in) MIN

INSULATOR: PTFE

SCREW: STAINLESS STEEL  
PLATED: PASSIVATE



SEE SHEET 2 FOR PART NUMBERS

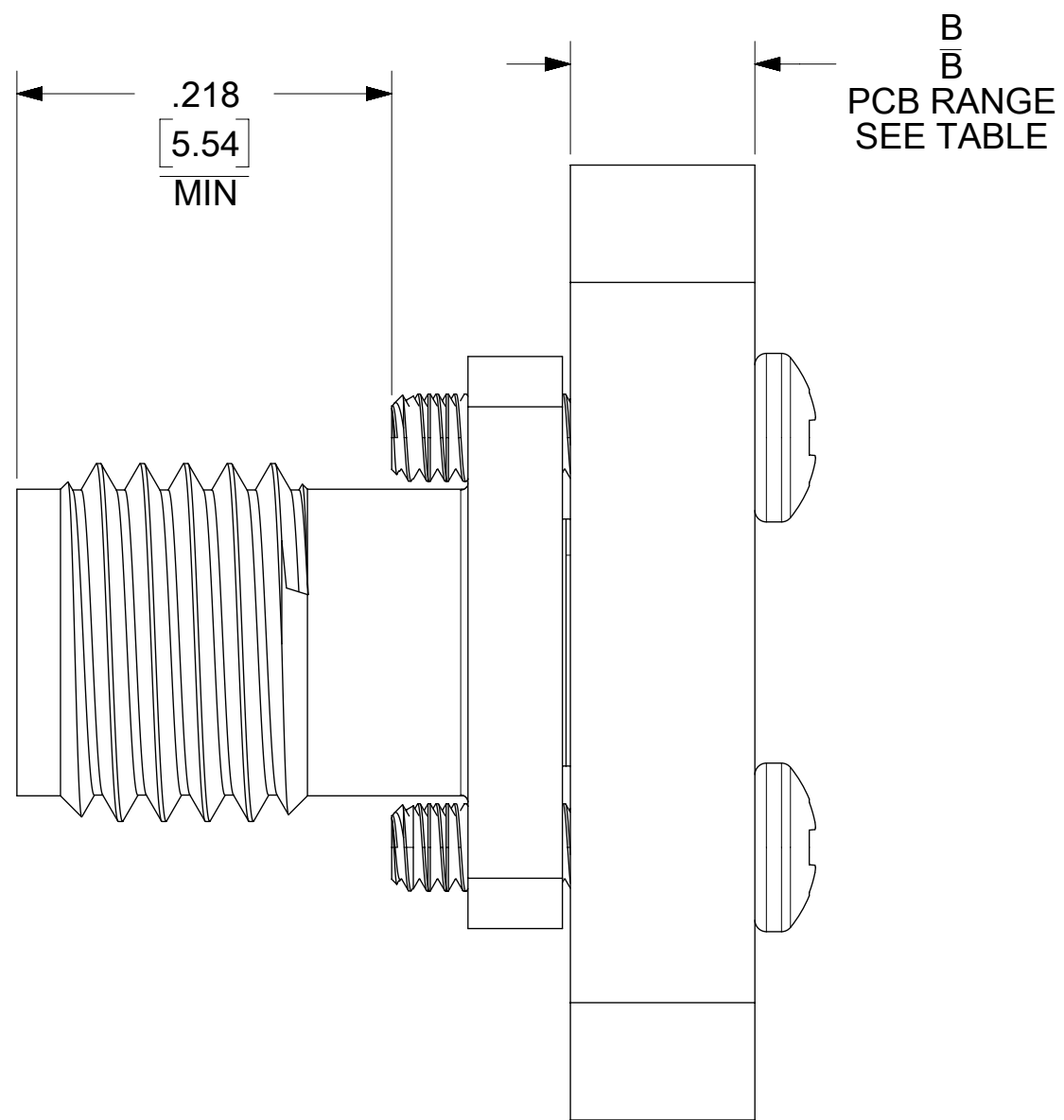
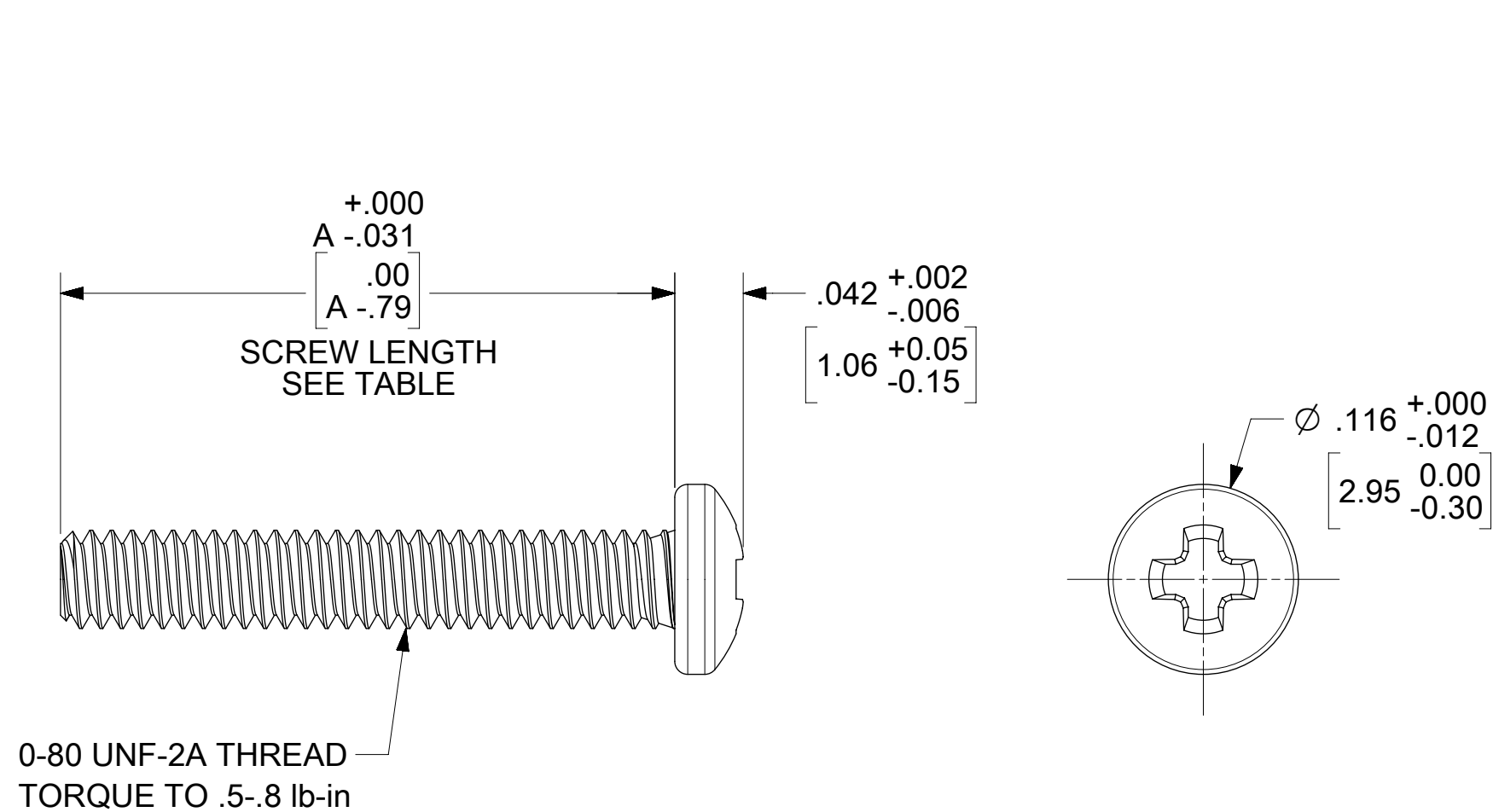
PS-89675-3460	ELECTO/MECH PERFOR
MIL-STD-348B, FIG 310-2	SMA JACK INTERFACE
SPECIFICATION	DESCRIPTION

THIS DRAWING CONTAINS INFORMATION THAT IS PROPRIETARY TO MOLEX ELECTRONIC TECHNOLOGIES, LLC AND SHOULD NOT BE USED WITHOUT WRITTEN PERMISSION

DIMENSION UNITS <b>INCH</b>	SCALE <b>NTS</b>	CURRENT REV DESC: SEE ECR					
GENERAL TOLERANCES (UNLESS SPECIFIED)		EC NO: 613729					
4 PLACES ±	±	DRWN: LMEIER 2019/03/12		PRODUCT CUSTOMER DRAWING			
3 PLACES ±	± 0.01	CHK'D: SSSHAH 2019/03/15		DOCUMENT NUMBER			
2 PLACES ±	± 0.25	APPR: AROBERTSON 2019/03/15		SD-73251-348			
1 PLACE ±	±	INITIAL REVISION:		DOC TYPE			
0 PLACES ±	±	DRWN: APRAKASH01 2016/10/21		PSD			
ANGULAR TOL ± 2.0°	±	APPR: AROBERTSON 2017/02/21		DOC PART			
DRAFT WHERE APPLICABLE MUST REMAIN WITHIN DIMENSIONS		THIRD ANGLE PROJECTION	DRAWING	SERIES	MATERIAL NUMBER	CUSTOMER	REVISION
			C-SIZE	73251	SEE TABLE		A13
DOCUMENT STATUS	P1	RELEASE DATE	2019/03/15 15:32:57	SHEET NUMBER			
				1 OF 2			

MATERIALS AND FINISHES: SEE SHEET 1

PCB LAYOUT: SEE SHEET 1



FOR ADDITIONAL APPLICATION NOTES  
SEE SHEET 3 OF SD-73251-185

73251-3485	.125/3.18	.050+0.00/-0.040	1.27+0.00/-1.02	2	TRAY	BULK
73251-3484	.375/9.52	.255+0.040/-0.02	6.48+1.02/-0.51	2	TRAY	BULK
73251-3483	.250/6.35	.130+0.040/-0.02	3.30+1.02/-0.51	2	TRAY	BULK
73251-3482	N/A	N/A	N/A	NO SCREW	SINGLE BAG	NONE
73251-3481	.188/4.76	.062+0.040/-0.01	1.57+1.02/-0.25	2	TRAY	BULK
73251-3480	N/A	N/A	N/A	NO SCREW	TRAY	NONE
PART NO.	(IN/MM)	IN	MM	SCREWS (QTY)	PACKAGING	SCREW PACKAGING
	DIM A	DIM B				

THIS DRAWING CONTAINS INFORMATION THAT IS PROPRIETARY TO MOLEX ELECTRONIC TECHNOLOGIES, LLC AND SHOULD NOT BE USED WITHOUT WRITTEN PERMISSION

DIMENSION UNITS <b>INCH</b>	SCALE <b>NTS</b>	CURRENT REV DESC: SEE ECR		<b>molex</b>		
GENERAL TOLERANCES (UNLESS SPECIFIED)		EC NO: 613729				
4 PLACES ±	±	DRWN: LMEIER 2019/03/12		PRODUCT CUSTOMER DRAWING		
3 PLACES ±	± 0.01	CHK'D: SSSHAH 2019/03/15		DOCUMENT NUMBER		
2 PLACES ±	± 0.25	APPR: AROBERTSON 2019/03/15		SD-73251-348		
1 PLACE ±	±	INITIAL REVISION:		DOC TYPE		
0 PLACES ±	±	DRWN: APRAKASH01 2016/10/21		PSD		
ANGULAR TOL ± 2.0°		APPR: AROBERTSON 2017/02/21		DOC PART		
DRAFT WHERE APPLICABLE MUST REMAIN WITHIN DIMENSIONS		THIRD ANGLE PROJECTION		REVISION		
C-SIZE		SERIES		000		
SEE TABLE		MATERIAL NUMBER		A13		
SEE TABLE		CUSTOMER		SHEET NUMBER		
SEE TABLE		SEE TABLE		2 OF 2		

DOCUMENT STATUS P1 RELEASE DATE 2019/03/15 15:32:57