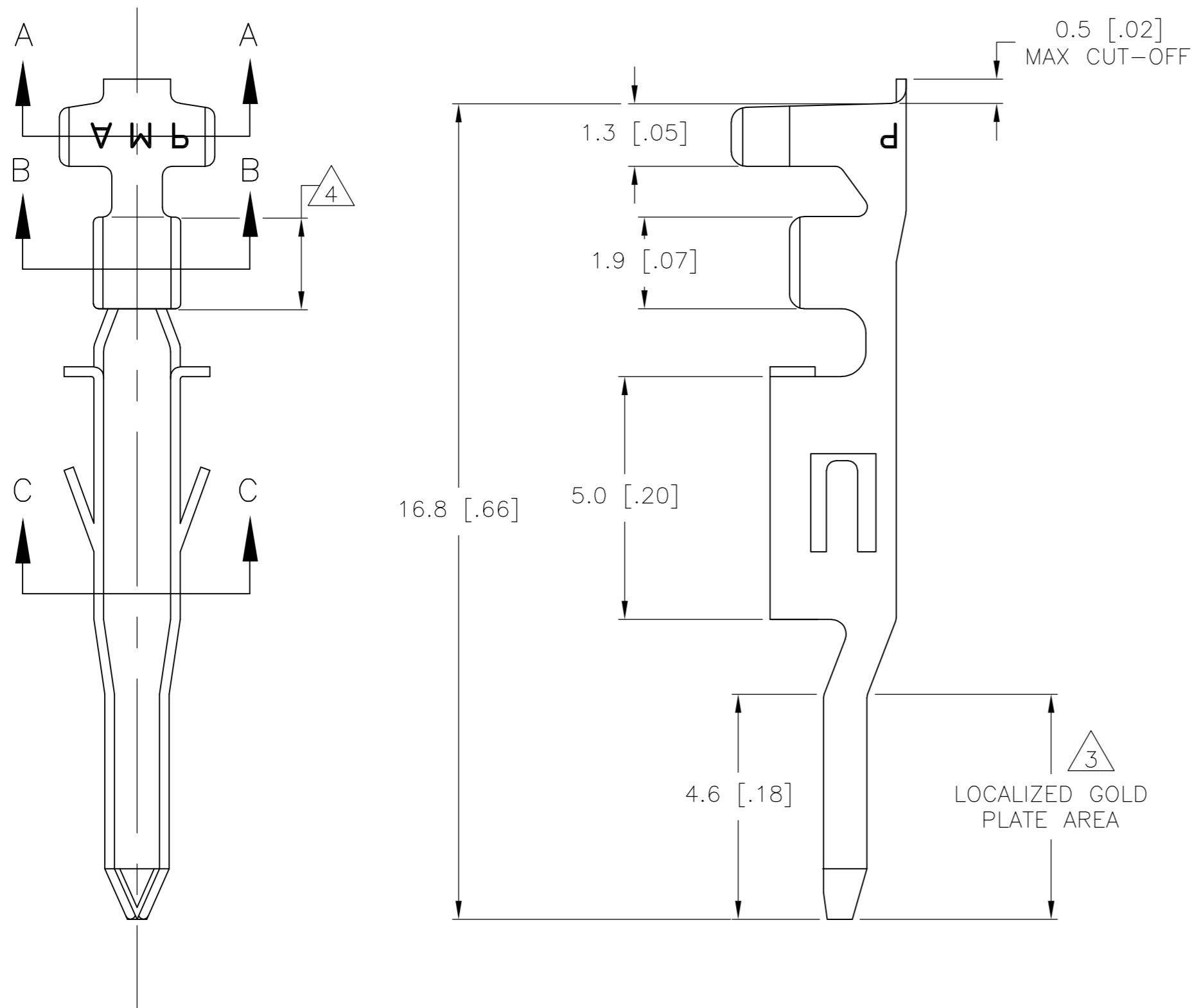
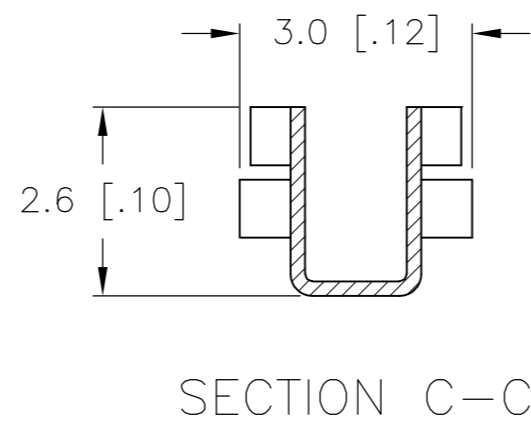
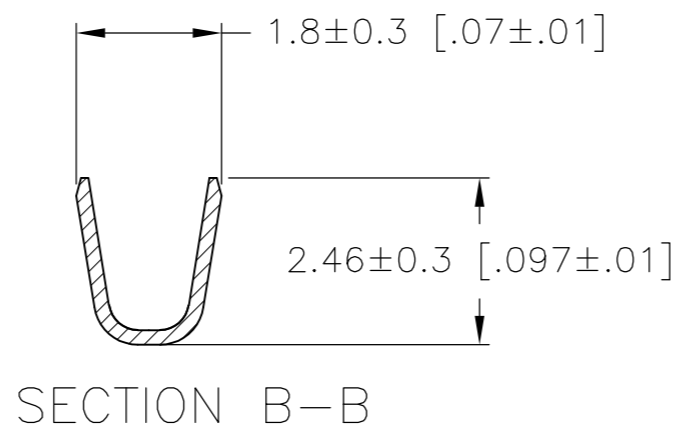
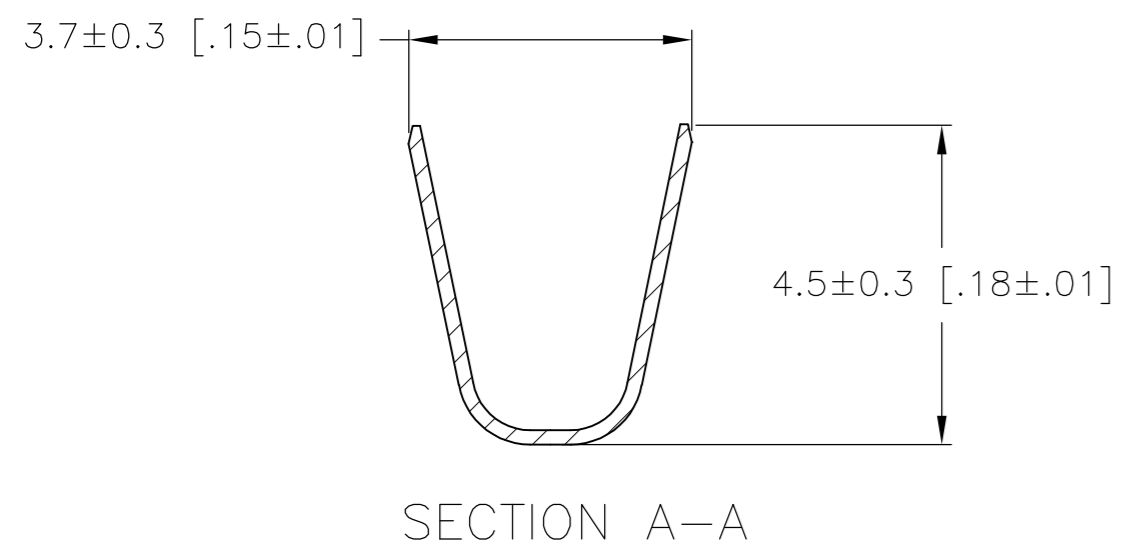


THIS DRAWING IS UNPUBLISHED. RELEASED FOR PUBLICATION
 © COPYRIGHT - By - ALL RIGHTS RESERVED.

LOC		DIST		REVISIONS			
P	LTR	DESCRIPTION		DATE	DWN	APVD	
CM	00	C1	REVISED PER ECO-11-004917		11MAR11	RK	HMR



- 1 WIRE RANGE: 0.2–0.8mm² (24–18 AWG).
- 2 INSULATION RANGE: 1.50–2.40 DIA.
- 3 FINISH: 0.76µm MINIMUM GOLD IN LOCALIZED GOLD PLATE AREA OVER 1.27µm MINIMUM NICKEL
- 4 FINISH: 2.54µm MINIMUM TIN IN LOCALIZED TIN PLATE AREA.



3 4	PHOS. BRZ.	1586314-4
PRE-TIN	PHOS. BRZ.	1586314-3
3 4	BRASS	1586314-2
PRE-TIN	BRASS	1586314-1
FINISH:	MATERIAL:	PART NO.

THIS DRAWING IS A CONTROLLED DOCUMENT.		DWN	14-OCT-2003	TE Connectivity		
DIMENSIONS: mm [INCHES]		S. HOOVER	14-OCT-2003			
TOLERANCES UNLESS OTHERWISE SPECIFIED:		CHK	D. COLEY			
0 PLC ±		APVD	D. COLEY			
1 PLC ± 0.3 [.01]		PRODUCT SPEC	14-OCT-2003			
2 PLC ± 0.15 [.006]		APPLICATION SPEC		NAME		
3 PLC ± 0.050 [.0020]		MATERIAL		TERMINAL LOOSE PIECE, PIN VAL-U-LOK(TM)		
4 PLC ±		FINISH		SIZE	CAGE CODE	DRAWING NO
ANGLES ±		WEIGHT		A2	00779	C=1586314
MATERIAL		CUSTOMER DRAWING		SCALE	SHEET	RESTRICTED TO
				10:1	1 of 1	—
				REV	C1	

Mouser Electronics

Authorized Distributor

Click to View Pricing, Inventory, Delivery & Lifecycle Information:

[TE Connectivity:](#)

[1586314-2](#)