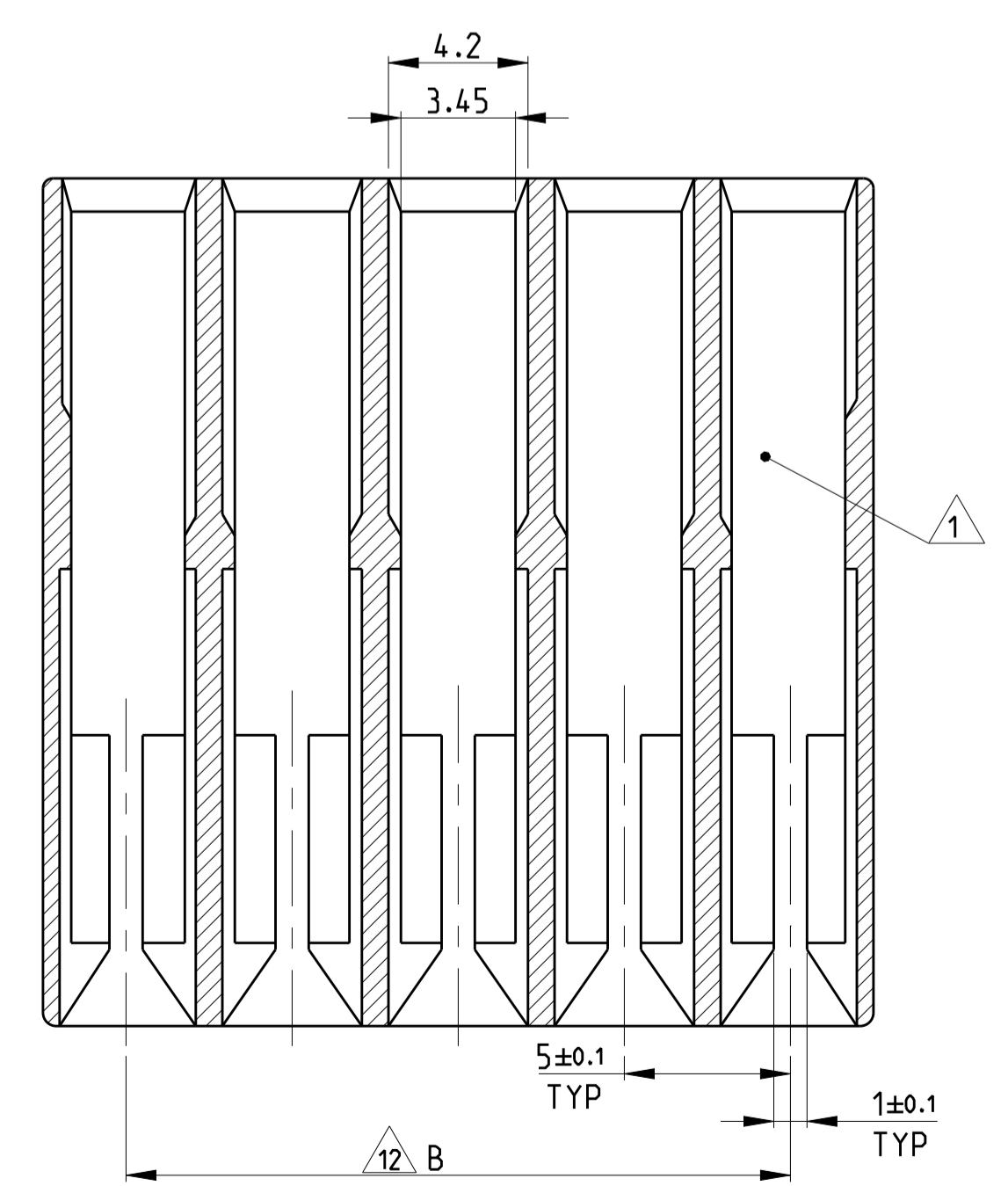
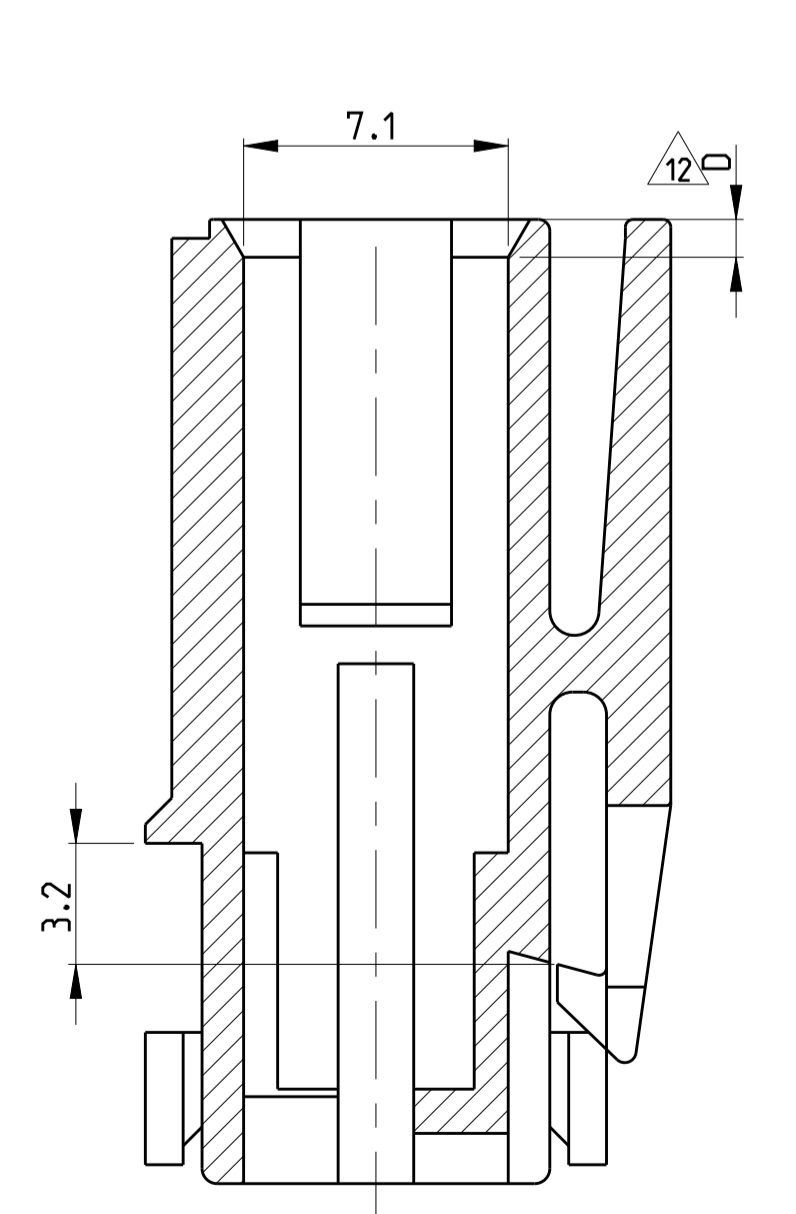
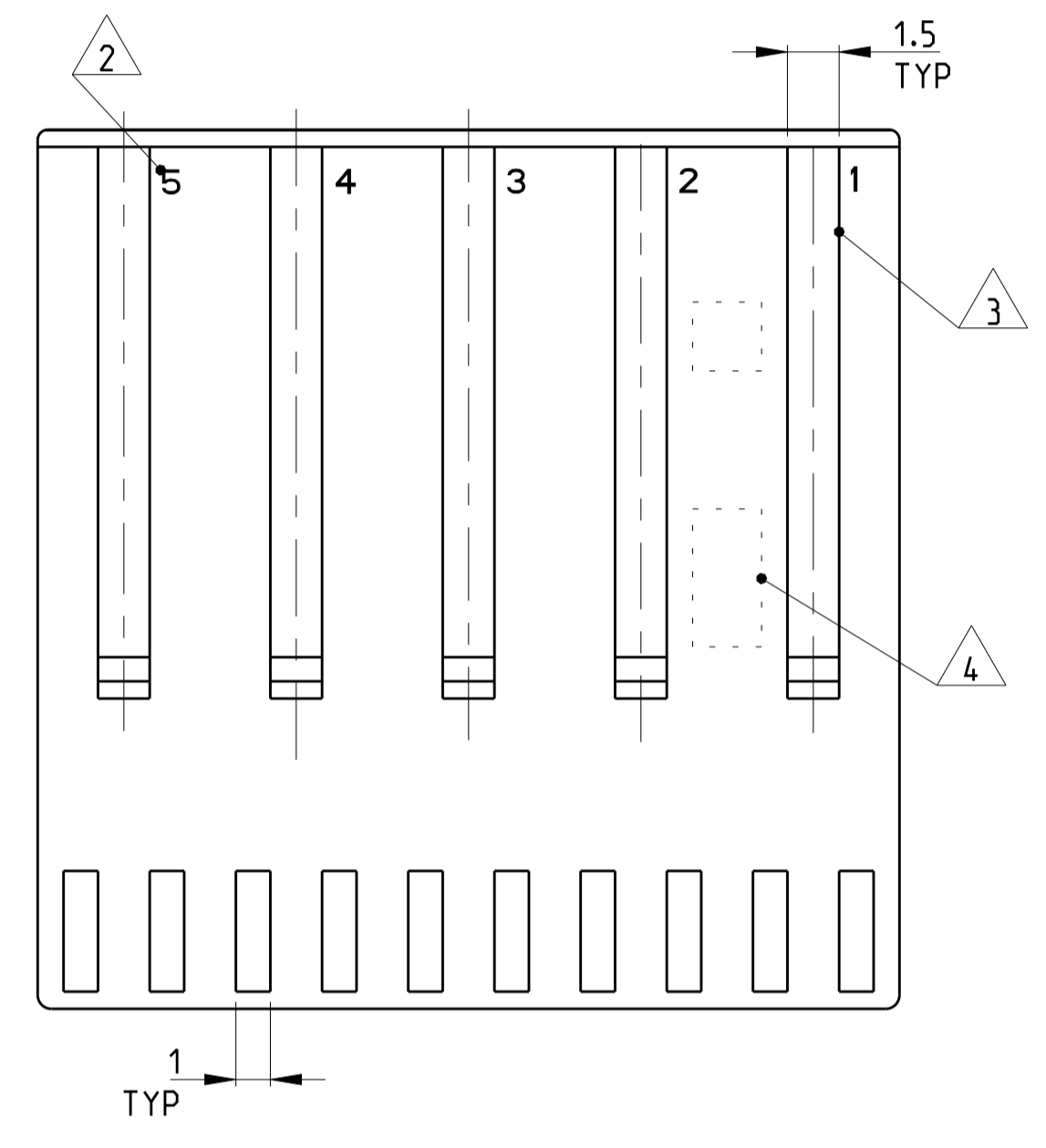
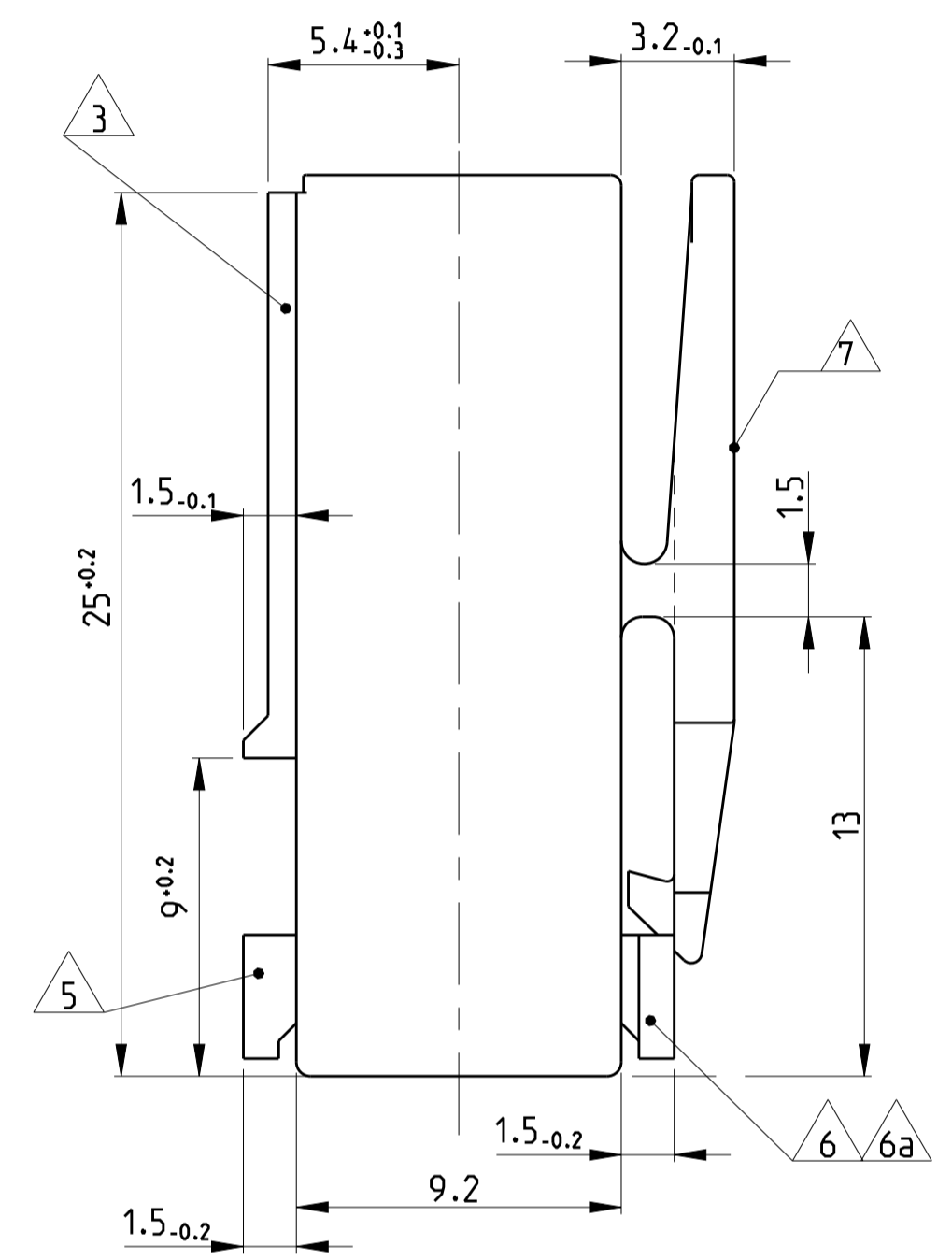
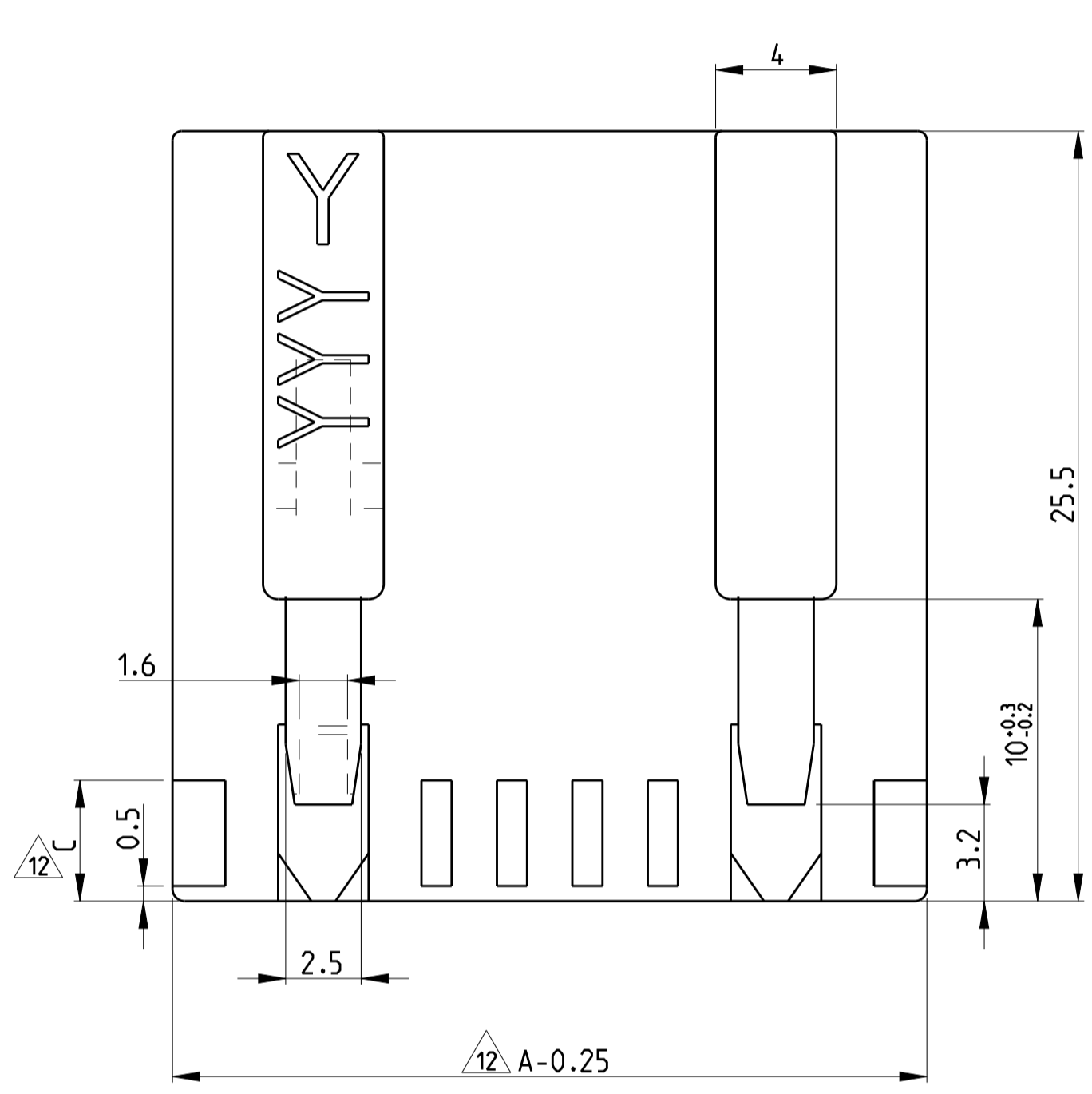
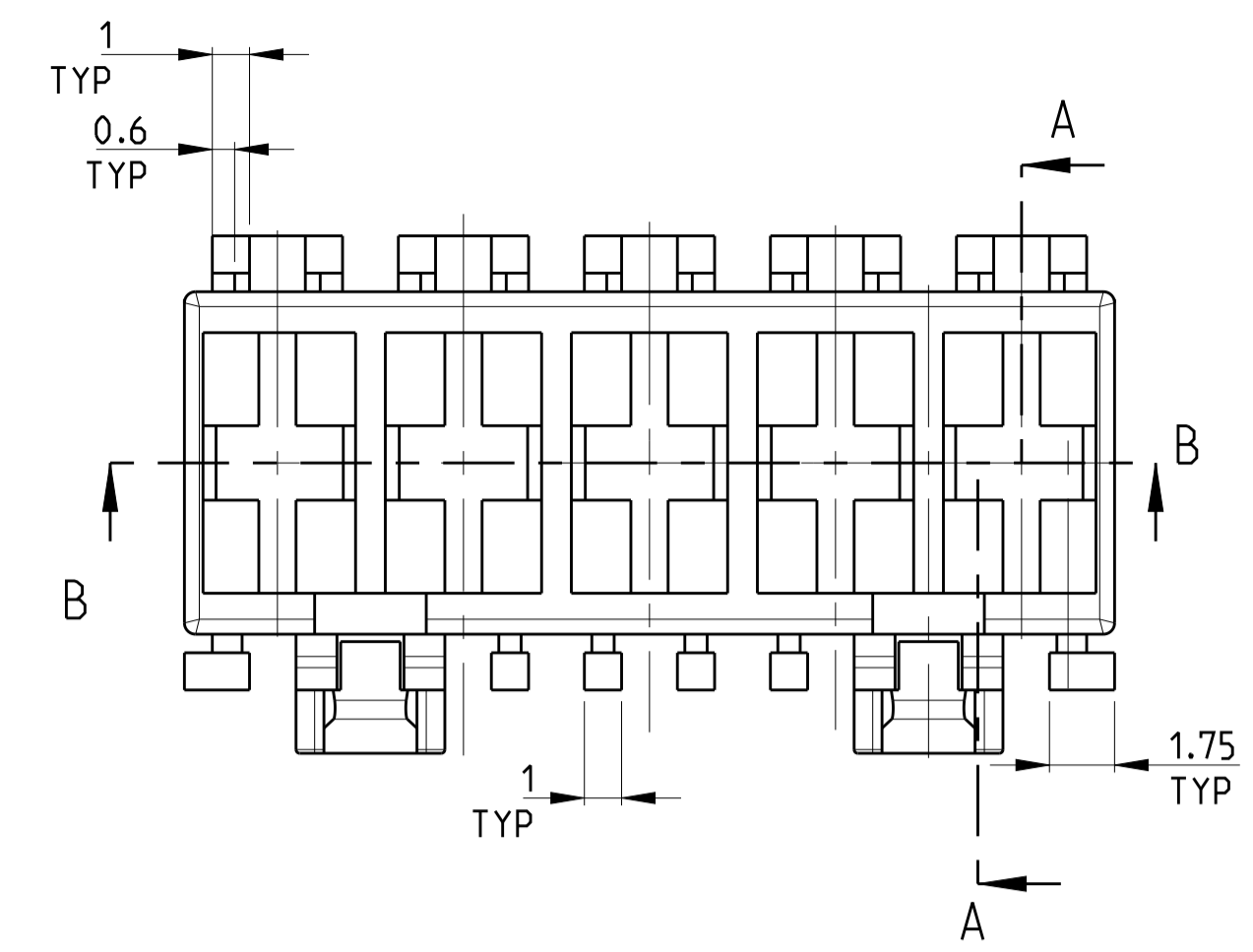
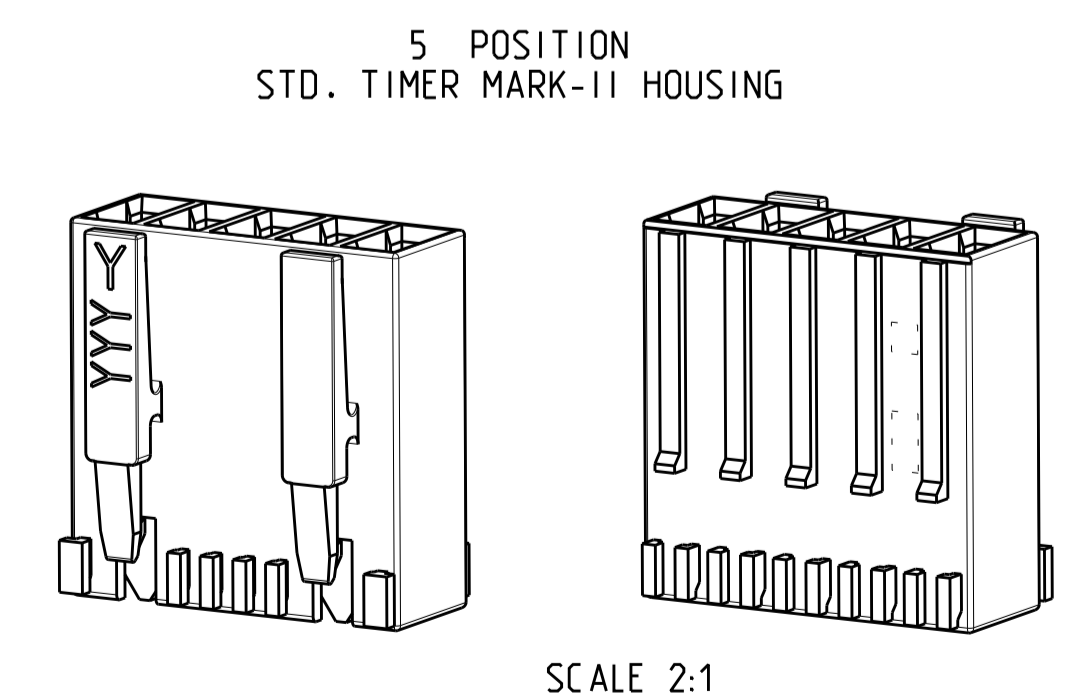


LOC	DIST	REV	DESCRIPTION	DATE	OWN	APVD
A1	-	P	LTR			
		C 38	ECR-18-000171	05JAN2018	KD	RR
		C 39	ECR-18-001281	24FEB2018	LZ	RR
		C 40	ECR-18-007974	25MAY2018	LZ	FL

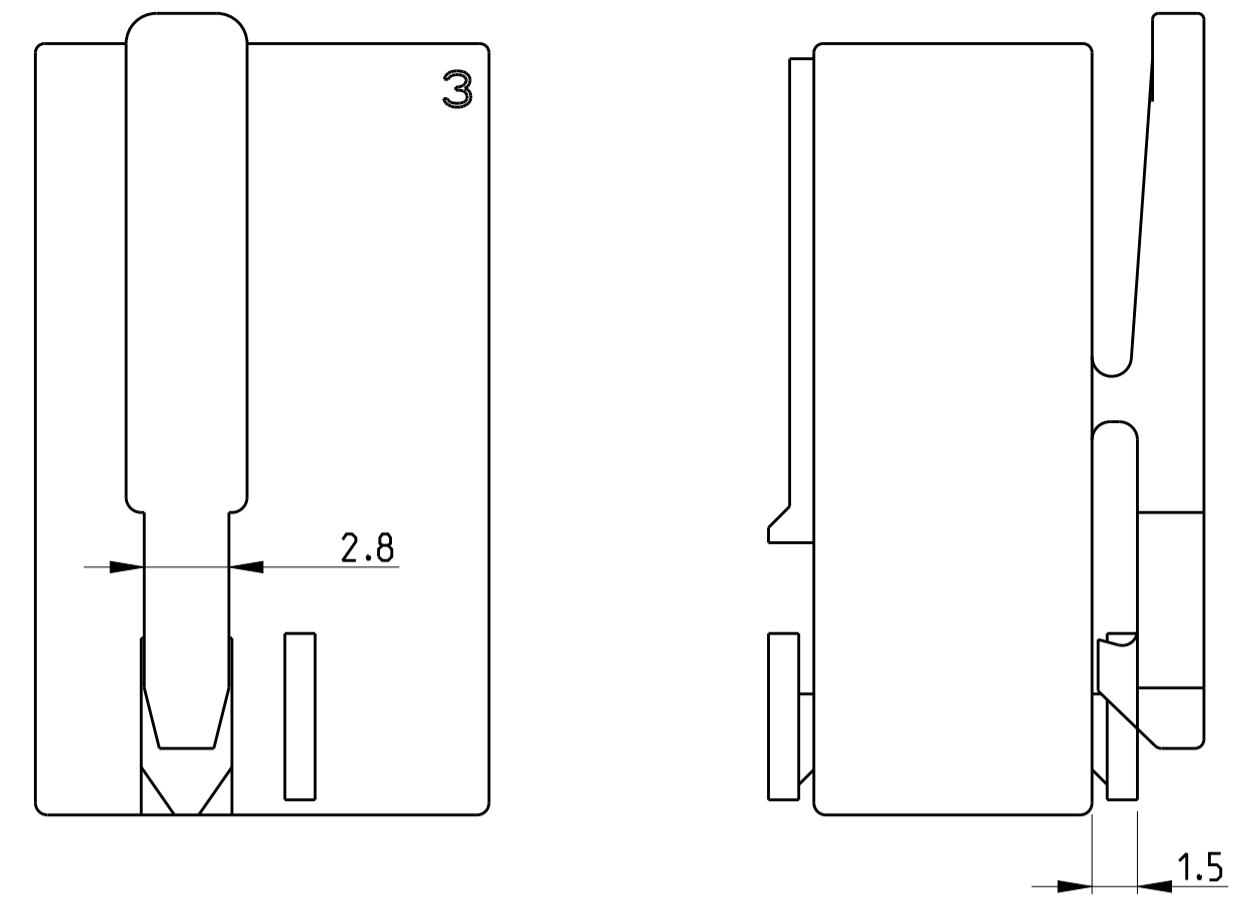


- REMARKS/Bemerkungen**
- 1 CAVITY SUITABLE FOR STANDARD TIMER CONTACTS LISTED IN PROD.SPEC. 108-18049, ITEM 3.3.2
Kammer geeignet für Standard Timer Kontakte gelistet in Prod. Spec. 108-18049, Punkt 3.3.2
 - 2 CONTACT CAVITY NO.
Kontaktkammernummerierung
 - 3 MATING STOP
Tiefenanschlag
 - 4 AREA FOR TE LOGO ACC: TO SPEC 202-36
Bereich für TE Logo nach Spec. 202-36
 - 5 POLARIZATION RIB POSITION "a" AND/OR "b"
Polarisierungsrippe Position "a" und/oder "b"
 - 6 KEYING RIB POSITION "c" AND/OR "d"
Kodierrippe Position "c" und/oder "d"
 - 6a KEYING RIB POSITION "c" AND/OR "d" AT THE END WALLS OF THE HOUSING
Kodierrippe Position "c" und/oder "d" an den Gehäusestirnseiten
 - 7 LOCKING LATCH
Rasthaken
 - 8 TE PART NO (PN)
TE Bestell Nr. (PN)
 - 9 DESIGN OF THE HOUSINGS ACC. TO RAST 5 STANDARD
Gehäuseausführung gemäss RAST 5 Vorgabe
 - 10 GENERAL SUITABLE TAB HEADER SEE RAST 5 PERFORMANCE
Generell passende Flachsteckerwannen siehe RAST 5 Vorgabe
 - 11 PACKAGING: BULK PACKAGING IN CORRUGATED BOX PN 740580-2
2 POS. 2500 PIECES PER BOX / 3 POS. 2000 PIECES PER BOX
Verpackung: Schüttgut in Versandkarton Pn 740580-2
2pol. 2500 Stück per Karton / 3pol. 2000 Stück per Karton
 - 12 DIMENSION A, B C AND D SEE SHEET 2 OF 3
 - 13 MATERIAL CORRESPONDS TO THE REQUIRMENT EN 60335
(INCL. GLOW WIRE TEST 750° WITHOUT FLAME)
Material entspricht den Anforderungen der EN 60335
(inkl. Glühdrahttest 750° ohne Flamme)
 - 14 RATIO NUMBER OF THE KEYING VERSION, INKJET PRINTED. SEE SHEET 2
Kodierungskennnummer, mit Tintenstrahldrucker aufgebracht, siehe Blatt 2
 - 15 PRELIMINARY- NOT RELEASED FOR PRODUCTION



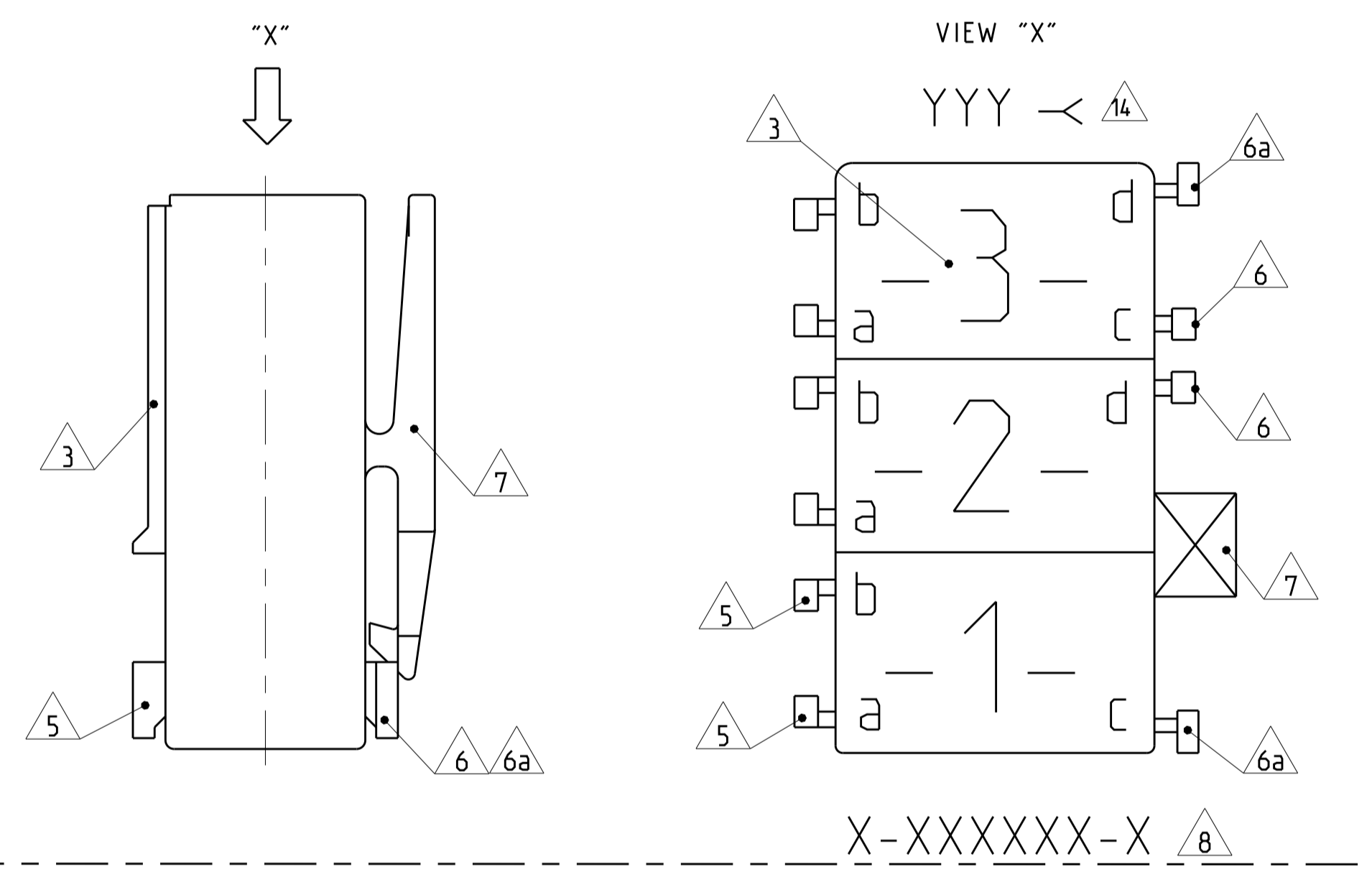
THIS DRAWING IS A CONTROLLED DOCUMENT.		DRW: Kishor M 18-10-07	TE Connectivity
DIMENSIONS: mm		CHK: K. Murtz 18-10-07	
TOLERANCES UNLESS OTHERWISE SPECIFIED:		APVD: Tm Klenner 18-10-07	NAME: STANDARD TIMER HSG. RAST 5 MARK II Standard Timer Gehäuse RAST 5 Mark II
0 PLC ±0.2 1 PLC ±0.2 2 PLC ±0.2 3 PLC ±0.2 4 PLC ±0.2 ANGLES FINISH *		PRODUCT SPEC: 108-18049 APPLICATION SPEC:	
MATERIAL: SEE TABLE SHEET 2 OF 3		WEIGHT: -	RESTRICTED TO: -
Customer Drawing		SCALE: 5:1	SHEET 1 OF 3 REV: C40

ONLY 5-1241961-7, 1-1241961-9, 7-1241961-7



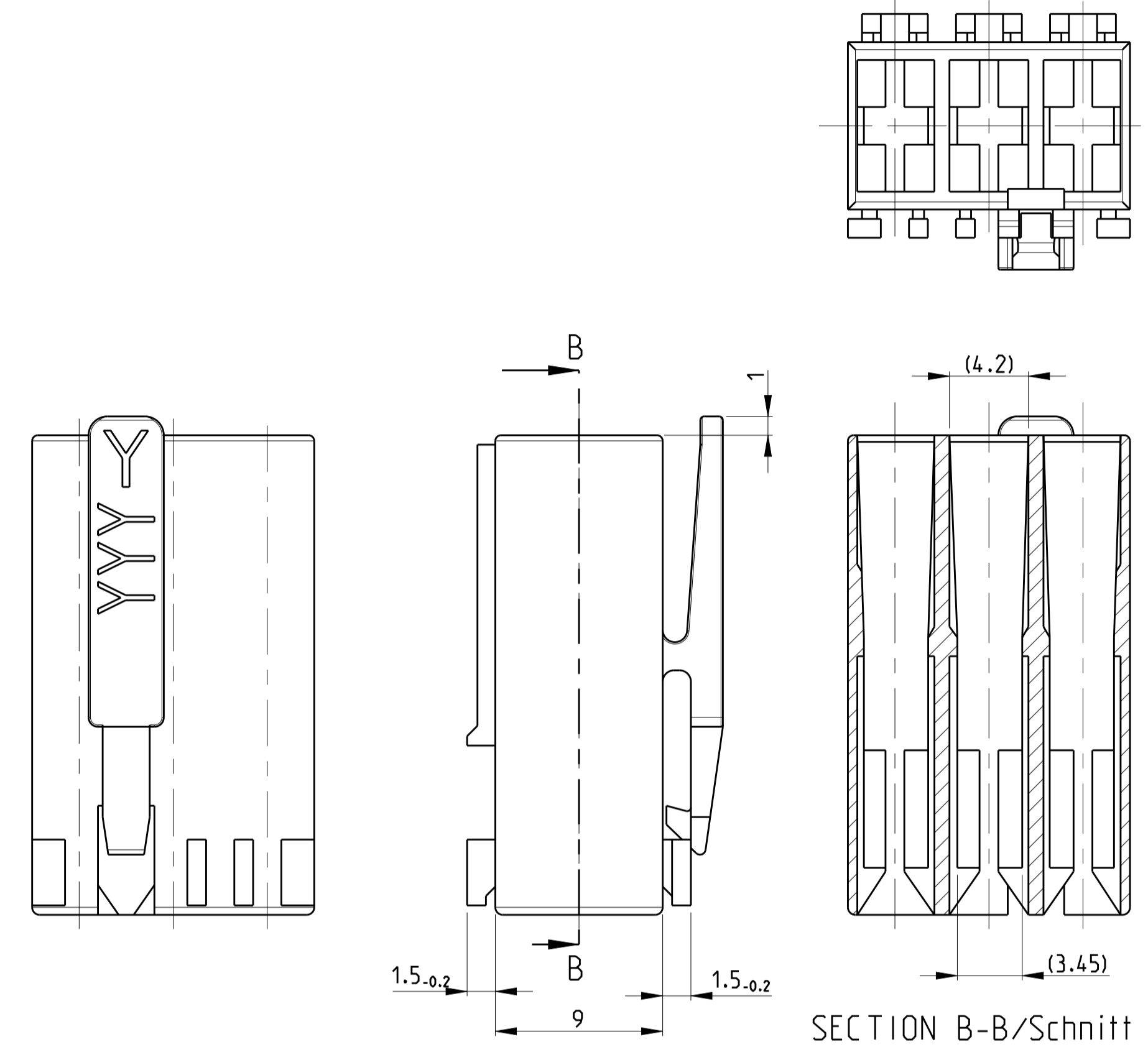
ALL OTHER DIMENSIONS SEE SHEET 1 OF 3

KEY LAYOUT DESCRIPTION



PAY ATTENTION !
DIFFERENT CAVITY GEOMETRY AND LOCKING LATCHE OVERHANG
Bitte beachten !
Unterschiedliche Kammergeometrie und Rasthakenuberstand.

FOR 2 POS. AND 3 POS.



ALL OTHER DIMENSIONS SEE SHEET 1 OF 3
Alle anderen Masse siehe Seite 1 von 3

SPECIAL VERSION: UL94 VO & GWT 750 NF & CTI 350								
5-1241961-7	3			15	10	PA66	NATURAL	A
1-1241961-9	3	6	1	15	10		NATURAL	A
7-1241961-7	3			15	10		NATURAL	A

SPECIAL VERSION: UL94 VO & GWT 750 NF								
2322164-1	4	4	0.5	20	15	PA66	NATURAL	1

SPECIAL VERSION: UL94 V2 & GWT 750 NF								
6-2178575-7	3	4	0.5	15	10	PA6 GF15	NATURAL	A

SPECIAL VERSION: UL94 VO & GWT 750 NF								
3-2178412-7	3			15	10	PA66 UL94 VO & GWT 750 NF	NATURAL	1
4-2178412-7	3	6	1	15	10		NATURAL	1
8-2178412-2	2			10	5		NATURAL	1

UL94 VO & GWT 750 NF								
2322917-4	4			20	15	PA66 UL94 VO & GWT 750 NF	NATURAL	C
2322917-2	2	4	0.5	10	5		NATURAL	1
2315717-1	2			10	5		NATURAL	C
2315717-2	2			10	5		NATURAL	C
2315717-3	2			10	5		NATURAL	C
2315717-4	4	4	0.5	20	15		NATURAL	C
2315717-5	4			20	15		NATURAL	C
2315717-6	3			15	10	NATURAL	C	
2315717-7	3			15	10	NATURAL	C	
PART NO.	POS.	DIM C	DIM D	DIM A	DIM B	MATERIAL	COLOUR	REV.

SPECIAL MATERIAL								
1955507-4	4			20	15	PA66	NATURAL	1
9-1955506-2	2	6	1	10	5	UL 94 VO	NATURAL	1

6-1241961-7	3			15	10	PA 6 UL94V-2	NATURAL	1
4-1241961-7	3			15	10	PA 6 UL94V-2	NATURAL	A
3-1241961-7	3	4	0.5	15	10	PA 6 UL94V-2	NATURAL	A
1-1955422-7	3			15	10	PA 66 UNFILLED UL94 VO	NATURAL	A
5-1955422-7	3			15	10	PA 66 UNFILLED UL94 VO	NATURAL	A
4-1955422-3	2	6	1	10	5	PA 66 UNFILLED UL94 VO	NATURAL	A
2-1241817-3	3	4 or 6	0.5 or 1	15	10	PA 66 UL94 V-2	Green	E
0-1955422-6	3			15	10	PA 66 UNFILLED UL94 VO	NATURAL	A
8-1241961-8	3			15	10			C
0-1241961-8	3			15	10	PA 6 UL94V-2	natural	A
8-1241961-3	2	4	0.5	10	5			C
3-1241961-1	2			10	5	PA 6 UL94V-2	NATURAL	C
0-1955422-1	2			10	5	PA 66 UNFILLED UL94 VO	NATURAL	A
PART NO	POS	DIM C	DIM D	DIM A	DIM B	MATERIAL	COLOUR Farbe	REV./Rev.

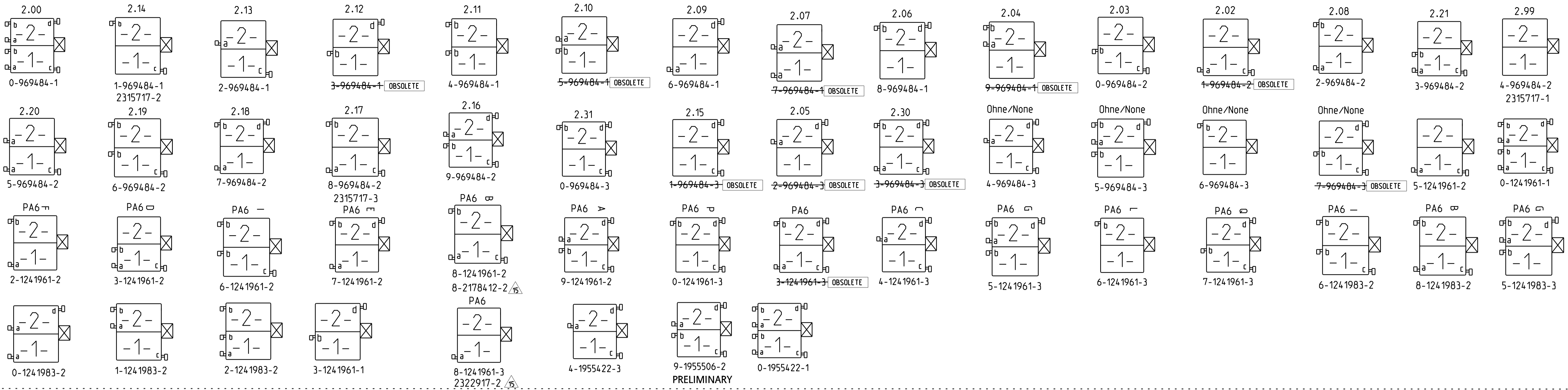
REVISIONS									
LOC	DIST	P	LTR	DESCRIPTION	DATE	DWN	APVD	SEE SHEET-01	
5				0-1241959-5	25			20	B
4				4-1241959-4	20			15	A
4	0.5			2-1241959-4	20			15	B
4				0-1241959-4	20			15	
5				2-1241817-5	25			20	
4	0.5			0-1241817-5	25			20	
4				3-1241817-4	20			15	
4	1			2-1241817-4	20			15	
4	0.5			0-1241817-4	20			15	
2				2-1241983-2	10			5	
2	4	0.5		1-1241983-2	10			5	
2				0-1241983-2	10			5	
2				8-1241983-2	10			5	
2				5-1241983-3	10			5	
2				6-1241983-2	10			5	
3				9-1241961-7	15			10	
3				9-1241961-8	15			10	
3				6-1241961-8	15			10	
3				5-1241961-8	15			10	
3				4-1241961-8	15			10	
3				7-1241961-8	15			10	
3				1-1241961-8	15			10	
3				3-1241961-8	15			10	
3				2-1241961-8	15			10	
3				2-1241961-7	15			10	
3				9-1241961-9	15			10	
3				1-1241961-7	15			10	
3				9-1241961-9	15			10	
3				0-1241961-6	15			10	
3				3-1241961-3	10			5	
3				2-1241961-2	10			5	
3				5-1241961-2	10			5	
3				4-1241961-3	10			5	
3				7-1241961-2	10			5	
3				7-1241961-3	10			5	
3				6-1241961-3	10			5	
3				3-1241961-2	10			5	
3				5-1241961-3	10			5	
3				6-1241961-2	10			5	
3				0-1241961-3	10			5	
3				8-1241961-2	10			5	
3				9-1241961-2	10			5	
3				0-1241961-1	10			5	
3				9-969484-9	15			10	
3				2-969484-8	15			10	
3				4-969484-8	15			10	
3				0-969484-8	15			10	
3				9-969484-7	15			10	
3				8-969484-7	15			10	
3				7-969484-7	15			10	
3				6-969484-7	15			10	
3				5-969484-7	15			10	
3				4-969484-7	15			10	
3				3-969484-7	15			10	
3				2-969484-7	15			10	
3				1-969484-7	15			10	
3				0-969484-7	15			10	
3				9-969484-6	15			10	
3				8-969484-6	15			10	
3				7-969484-6	15			10	
3				6-969484-6	15			10	
3				5-969484-6	15			10	
3				4-969484-6	15			10	
3				3-969484-6	15			10	
3				2-969484-6	15			10	
3				1-969484-6	15			10	
3				0-969484-6	15			10	
3				9-969484-3	10			5	
3				6-969484-3	10			5	
3				5-969484-3	10			5	
3				4-969484-3	10			5	
3				3-969484-3	10			5	
3				2-969484-3	10			5	
3				1-969484-3	10			5	
3				0-969484-3	10			5	
3				9-969484-2	10			5	
3				8-969484-2	10			5	
3				7-969484-2	10			5	
3				6-969484-2	10			5	
3				5-969484-2	10			5	
3				4-969484-2	10			5	
3				3-969484-2	10			5	
3				2-969484-2	10			5	
3				1-969484-2	10			5	
3				0-969484-2	10			5	
3				9-969484-1	10			5	
3				8-969484-1	10			5	
3				7-969484-1	10			5	
3				6-969484-1	10			5	
3				5-969484-1	10			5	
3				4-969484-1	10			5	
3				3-969484-1	10			5	
3				2-969484-1	10			5	
3				1-969484-1	10			5	
3				0-969484-1	10			5	
PART NO	POS.	DIM C	DIM D	DIM A	DIM B	MATERIAL	COLOUR	REV	

THIS DRAWING IS A CONTROLLED DOCUMENT. DIMENSIONS: mm. TOLERANCES UNLESS OTHERWISE SPECIFIED: 0 PLC ±0.2, 1 PLC ±0.2, 2 PLC ±0.2, 3 PLC ±0.2, 4 PLC ±0.2, 5 PLC ±0.2, 6 PLC ±0.2, 7 PLC ±0.2, 8 PLC ±0.2, 9 PLC ±0.2. ANGLES: *°. WEIGHT: -.

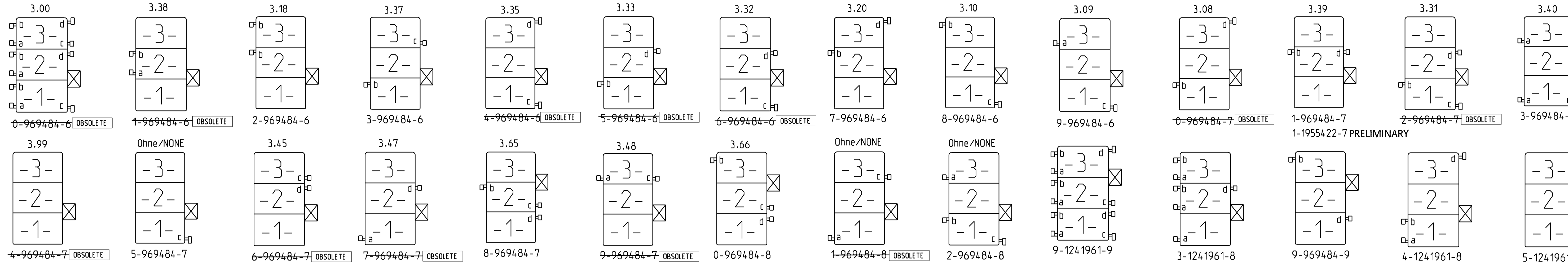
STANDARD TIMER HSG. RAST 5 MARK II
Standard Timer Gehäuse RAST 5 Mark II

Customer Drawing. Scale: 5:1. SHEET 2 OF 3.

2 POSITION VARIANTS

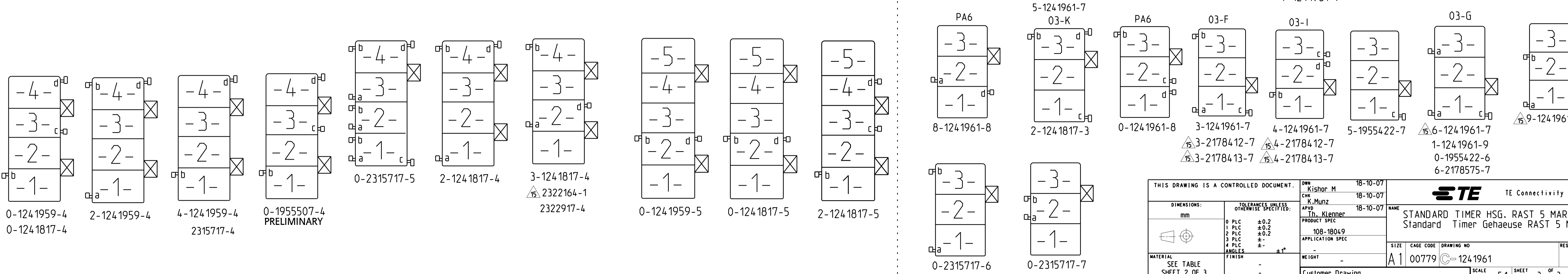


3 POSITION VARIANTS



4 POSITION VARIANTS

5 POSITION VARIANTS



THIS DRAWING IS A CONTROLLED DOCUMENT.		OWN: Kishor M. 18-10-07	 TE Connectivity
DIMENSIONS: mm		CHK: K. Muriz 18-10-07	
TOLERANCES UNLESS OTHERWISE SPECIFIED:		APPD: T.K. Klenner 18-10-07	
0 PLC ±0.2 1 PLC ±0.2 2 PLC ±0.2 3 PLC ±0.2 4 PLC ±0.2 ANGLES ±0.1 FINISH *		NAME: STANDARD TIMER HSG. RAST 5 MARK II PRODUCT SPEC: 108-18049 APPLICATION SPEC:	
MATERIAL: SEE TABLE	SHEET 2 OF 3	WEIGHT: -	RESTRICTED TO: -
		Customer Drawing	SCALE: 5:1 SHEET 3 OF 3 REV: C40

Mouser Electronics

Authorized Distributor

Click to View Pricing, Inventory, Delivery & Lifecycle Information:

[TE Connectivity:](#)

[2-1241961-8](#)