

Common mode Noise Filters

Type: **EXC24CE**
EXC24CF



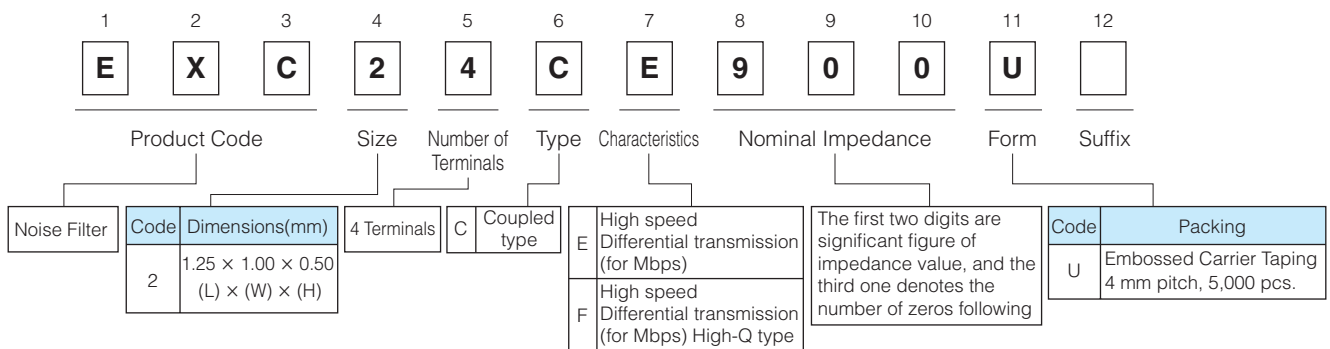
Features

- Elimination of radiation noises from high-speed differential transmissions
- Strong multilayer structure, excellent reflow resistance and high mounting reliability
- Magnetic shield type with no leakage
- High-Q impedance : EXC24CF
- Small and thin (L 1.25 mm×W 1.00 mm×H 0.50 mm)
- RoHS compliant

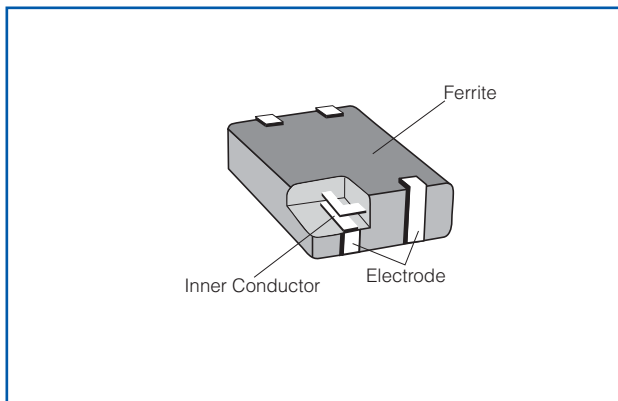
Recommended Applications

- AV equipment (LCD-TV, DVD/Blu-ray drives), Information equipment (PCs, HDD, Printers), Communications equipment (Mobile phones, Smartphones)
- Noise suppression of high-speed differential data lines such as USB2.0 and LVDS

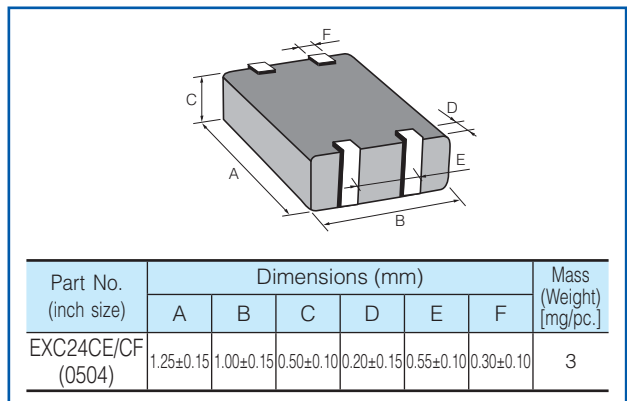
Explanation of Part Numbers



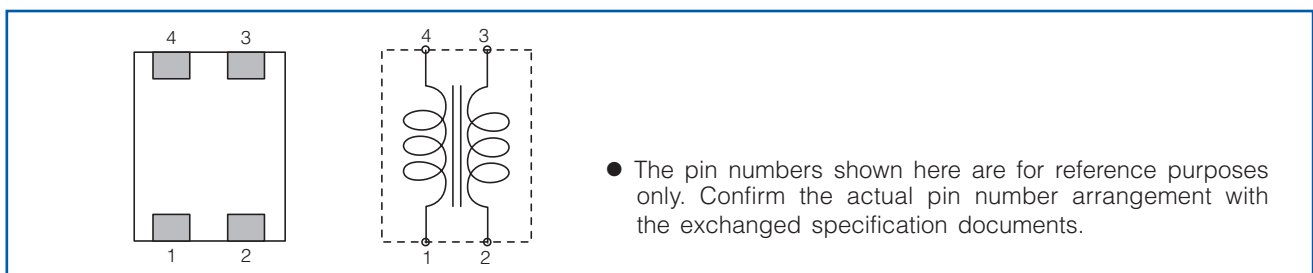
Construction



Dimensions in mm (not to scale)



Circuit Configuration (No Polarity)



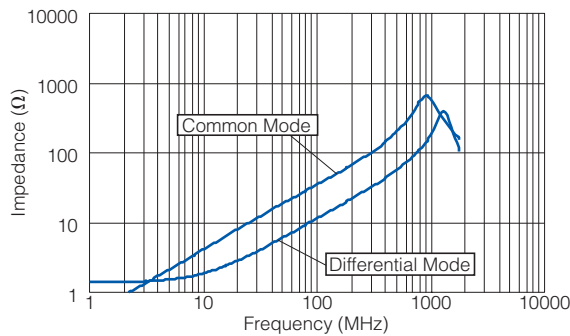
Ratings

Part Number	Impedance (Ω) at 100 MHz		Rated Voltage (V DC)	Rated Current (mA DC)	DC Resistance (Ω)max.
	Common Mode	Differential Mode			
EXC24CE360UP	36 $\Omega \pm 25\%$	20 Ω max.	5	200	1.0
EXC24CE900U	90 $\Omega \pm 25\%$	15 Ω max.	5	160	1.75
EXC24CE121U	120 $\Omega \pm 25\%$	18 Ω max.	5	140	2.2
EXC24CE201U	200 $\Omega \pm 25\%$	20 Ω max.	5	130	2.7
EXC24CF900U	90 $\Omega \pm 25\%$	20 Ω max.	5	130	2.5

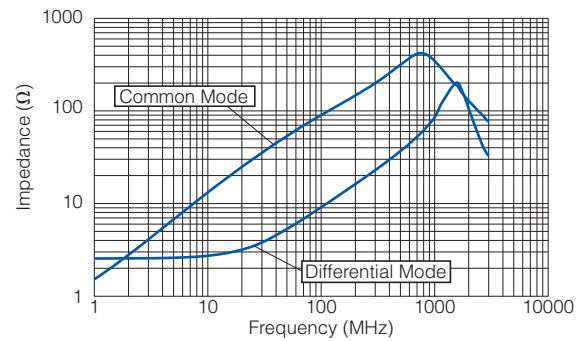
- Category Temperature Range $-40\text{ }^{\circ}\text{C}$ to $+85\text{ }^{\circ}\text{C}$

Impedance Characteristics (Typical)

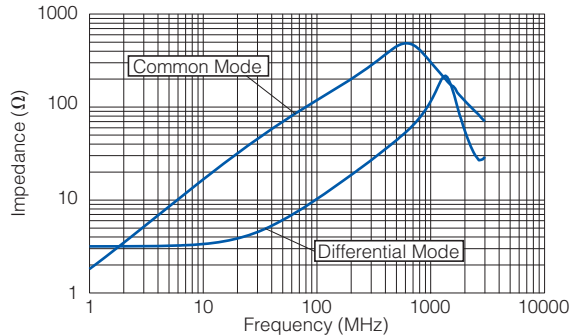
● EXC24CE360UP



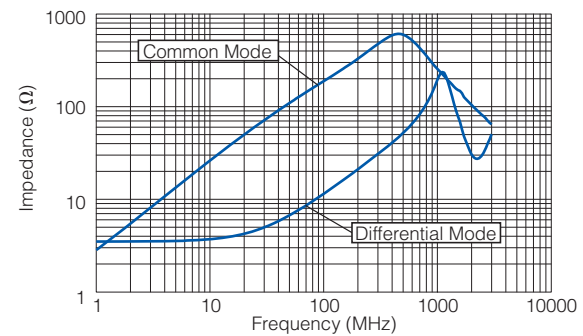
● EXC24CE900U



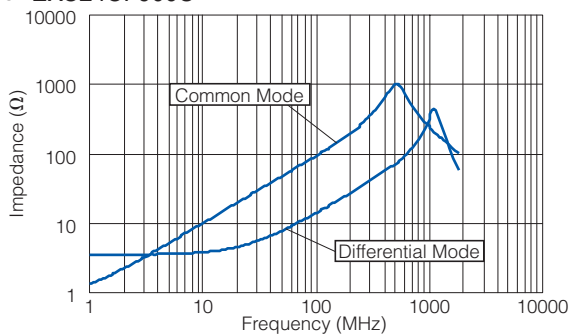
● EXC24CE121U



● EXC24CE201U

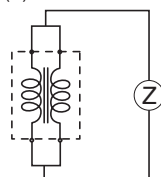


● EXC24CF900U

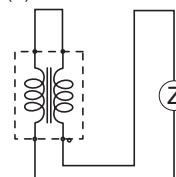


● Measurement Circuit

(A) Common Mode



(B) Differential Mode



■ As for Packaging Methods, Land Pattern, Soldering Conditions and Safety Precautions, Please see Data Files

Mouser Electronics

Authorized Distributor

Click to View Pricing, Inventory, Delivery & Lifecycle Information:

Panasonic:

[EXC-24CE360UP](#) [EXC-24CF900U](#) [EXC-28CG240U](#) [EXC-28CG900U](#) [EXC-18CE650U](#) [EXC-18CE900U](#) [EXC-24CD121U](#) [EXC-24CD201U](#) [EXC-24CD600U](#) [EXC-24CE121U](#) [EXC-24CE201U](#) [EXC-24CE900U](#) [EXC-28CE121U](#) [EXC-28CE201U](#) [EXC-28CE900U](#) [EXC-18CE201U](#) [EXC-18CG430U](#) [EXC-28CH900U](#) [EXC-14CX400U](#) [EXC-24CH900U](#) [EXC-28CH500U](#) [EXC-24CH500U](#) [EXC-14CX280U](#) [EXC-28CE301U](#) [EXC-24CC271U](#)