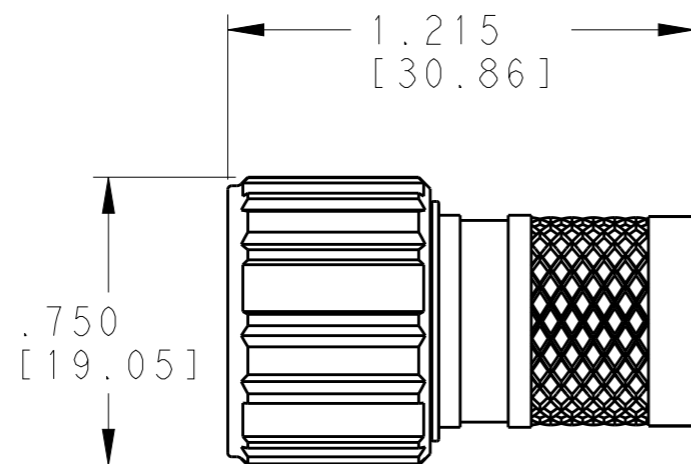
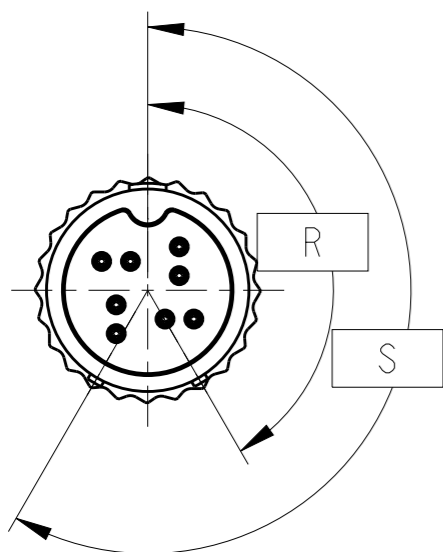


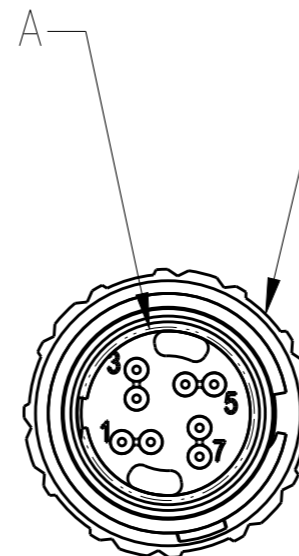
THIS DRAWING IS UNPUBLISHED. RELEASED FOR PUBLICATION
© COPYRIGHT - BY - ALL RIGHTS RESERVED.

LOC	DIST	REVISIONS			
P	LTR	DESCRIPTION	DATE	DWN	APVD
-	-	C	REV PER ECO 15-007051	5-21-15	CT EO
-	-	D	REVISED PER ECO-15-013009	03DEC15	RS CT

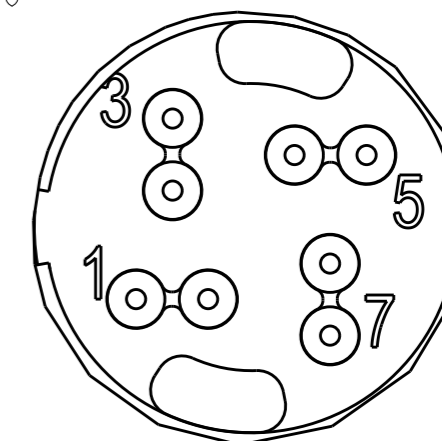
KEY OPTION	KEY ROTATION	
	"R"	"S"
NORMAL	150°	210°
A	140°	215°
B	132°	248°



SEE DETAIL A



"TE" AND DATE CODE ON 1 OF 6 SURFACES
TE PN ON ADJACENT FLAT

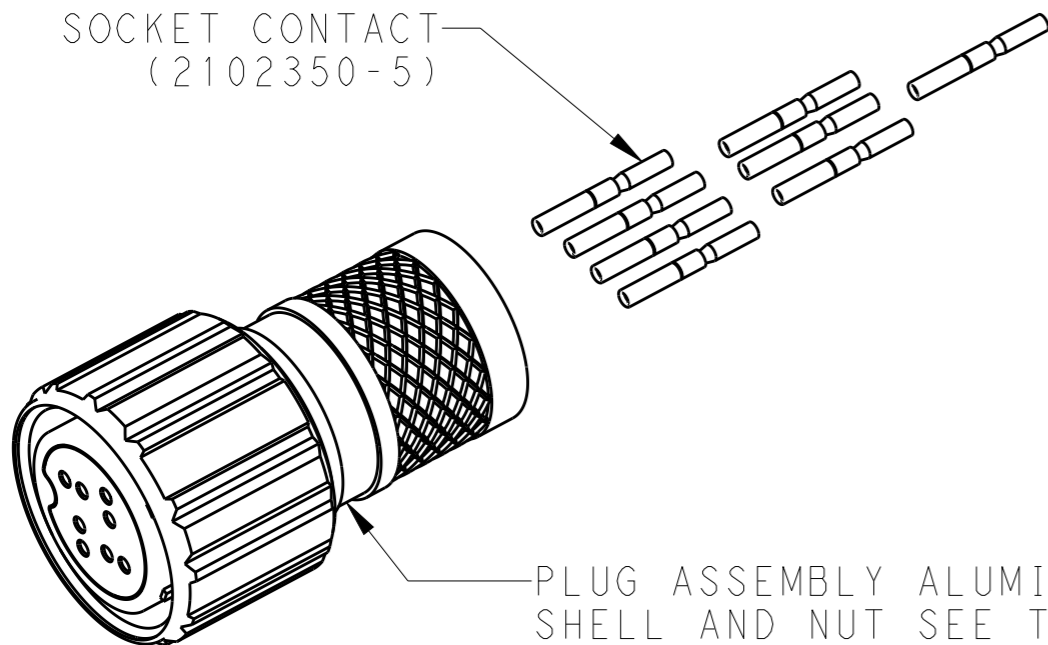


DETAIL A
SCALE 5:1

PARTS REMOVED FOR CLARIFICATION

- 1, -3 AND -5 ARE ELECTROLESS NICKEL PLATE PER MIL-C-26074.
- 2, -4 AND -6 ARE BLACK ZINC NICKEL PER AMS-2417.
- CONTACTS SHALL BE PACKAGED SEPARATELY IN KIT.

SOCKET CONTACT (2102350-5)



PLUG ASSEMBLY ALUMINUM SHELL AND NUT SEE TABLE FOR FINISH

PLC	KEYING OPTION	FINISH	DESCRIPTION	PART NUMBER
10	B	BLACK ZINC NICKEL PLATE	PLUG ASSEMBLY	2102353-6
10	B	NICKEL PLATE	PLUG ASSEMBLY	2102353-5
10	A	BLACK ZINC NICKEL PLATE	PLUG ASSEMBLY	2102353-4
10	A	NICKEL PLATE	PLUG ASSEMBLY	2102353-3
10	NORMAL	BLACK ZINC NICKEL PLATE	PLUG ASSEMBLY	2102353-2
10	NORMAL	NICKEL PLATE	PLUG ASSEMBLY	2102353-1
SOCKET CONTACTS 50μ GOLD PLATE		KEYING OPTION	DESCRIPTION	PART NUMBER

THIS DRAWING IS A CONTROLLED DOCUMENT. DIMENSIONING AND TOLERANCING PER ASME Y14.5M (ISO STANDARDS)

DIMENSIONS: INCHES [mm]

TOLERANCES UNLESS OTHERWISE SPECIFIED:

0 PLC	±-
1 PLC	±-
2 PLC	±-
3 PLC	±.005 [0.13]
4 PLC	±-
ANGLES	±-

MATERIAL: - FINISH: -

DWN: MCKIBBEN, JOHN 10 JUN 2011
CHK: DOWHOWER, KENNETH 10 JUN 2011
APVD: DOWHOWER, KENNETH 10 JUN 2011

NAME: PLUG ASSEMBLY KIT

PRODUCT SPEC: 108-2482
APPLICATION SPEC: 114-32025

WEIGHT: -

SCALE: 2:1 SHEET 1 OF 1 REV D

SIZE: A3 CAGE CODE: 00779 DRAWING NO: C-2102353 RESTRICTED TO: -

CUSTOMER DRAWING

Mouser Electronics

Authorized Distributor

Click to View Pricing, Inventory, Delivery & Lifecycle Information:

[TE Connectivity:](#)

[2102353-2](#)