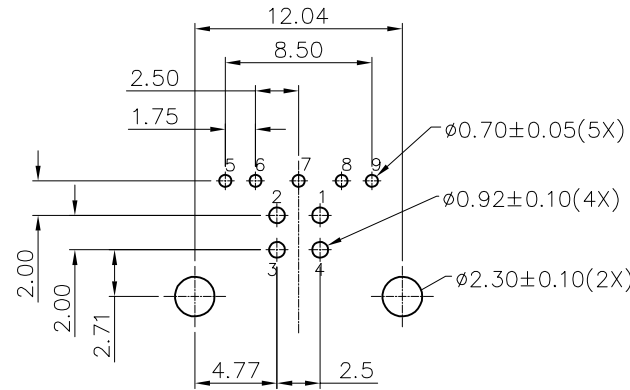
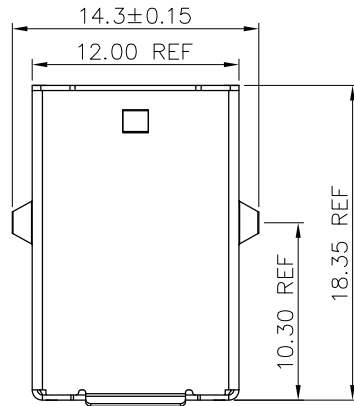
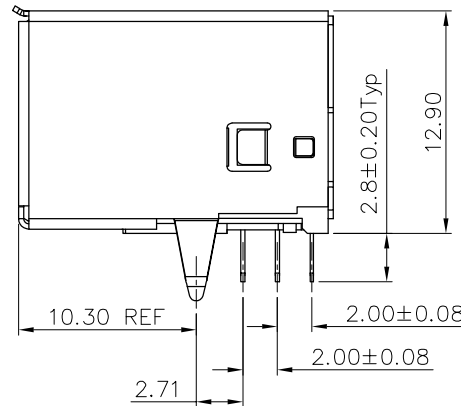
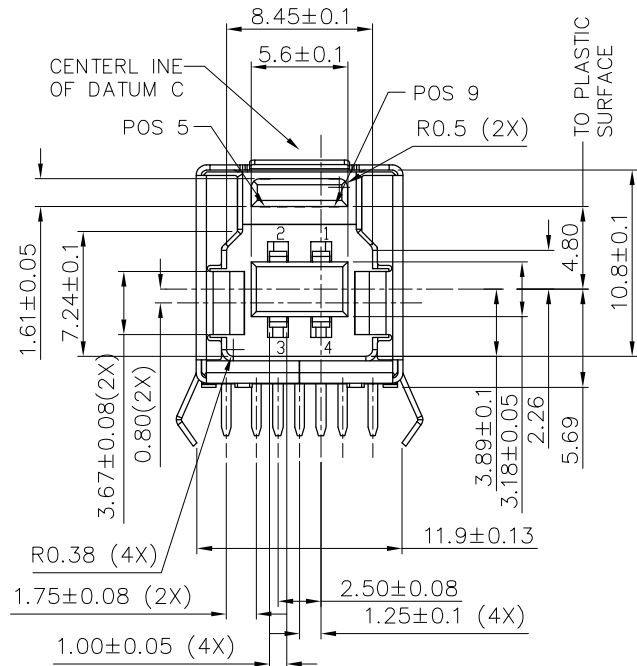


REVISION RECORD		
REV	DESCRIPTION	DRFT
02	ADD SOLDER STANDARD	RICKY



RECOMMENDED PCB LAYOUT
TOP VIEW(TOLERANCE: ±0.05)



NOTES:

- MATERIAL
 - 1.1 PLASTIC: NYLON UL 94V-0 COLOR: BLUE300C;
 - 1.2 SHIELD: STEEL
 - PLATING: FRONT SHIELD PLATING NICKEL 50u"Min;
REAR SHIELD PLATING NICKEL 80u"
50u"MIN CU UNDERPLATING ALL OVER .
 - 1.3 TERMINAL: PHOSPHOR BRONZE
 - PLATING: 3u" Min GOLD PLATING ON CONTACT AREA
80u"MIN TIN PLATING ON SOLDER AREA.
AND 50u"MIN NICKEL UNDERPLATING OVER ALL.
- ELECTRICAL CHARACTERISTICS
 - 2.1 CURRENT RATING: 1.8A
 - 2.2 CONTACT RESISTANCE: 30mΩMAX.
 - 2.3 DIELECTIC WITHSTANDING: 100V AC/1min.
 - 2.4 INSULATION RESISTANCE: 100MΩMin.
- MECHANICAL CHARACTERISTICS
 - 3.1 MATING FORCE: 3.57Kgf MAX(35N MAX).
 - 3.2 UNMATING FORCE: 1.02Kgf Min(10N Min).
 - 3.3 DURABILITY: 5000 CYCLES.

OPERATION TEMPERATURE: -20°C to +80°C
- J-STD-075: W2, 270°C MAXIMUM THROUGH WAVE SOLDER

MM (INCH)		DFTD Roy	DATE 11/20/2012		RoHS Compliant
TOLERANCES EXCEPT AS NOTED		CHKD	DATE		
MM		APPVL	DATE	DRAWING NO. E8199-030-01 /PART NO. E8199-030-01	
0 ± 0.38	±	MATERIAL :			
.00 ± 0.13	±	QTY :		SHEET 1 OF 1	
.000 ± 0.05	±	FINISH :			
ANGLES: X° ±2° X.X° ±0.5°		SCALE : 1:1		/PART NO. E8199-030-01	
THIRD ANGLE PROJECTION				SHEET 1 OF 1	

Mouser Electronics

Authorized Distributor

Click to View Pricing, Inventory, Delivery & Lifecycle Information:

Pulse:

[E8199-030-01](#)