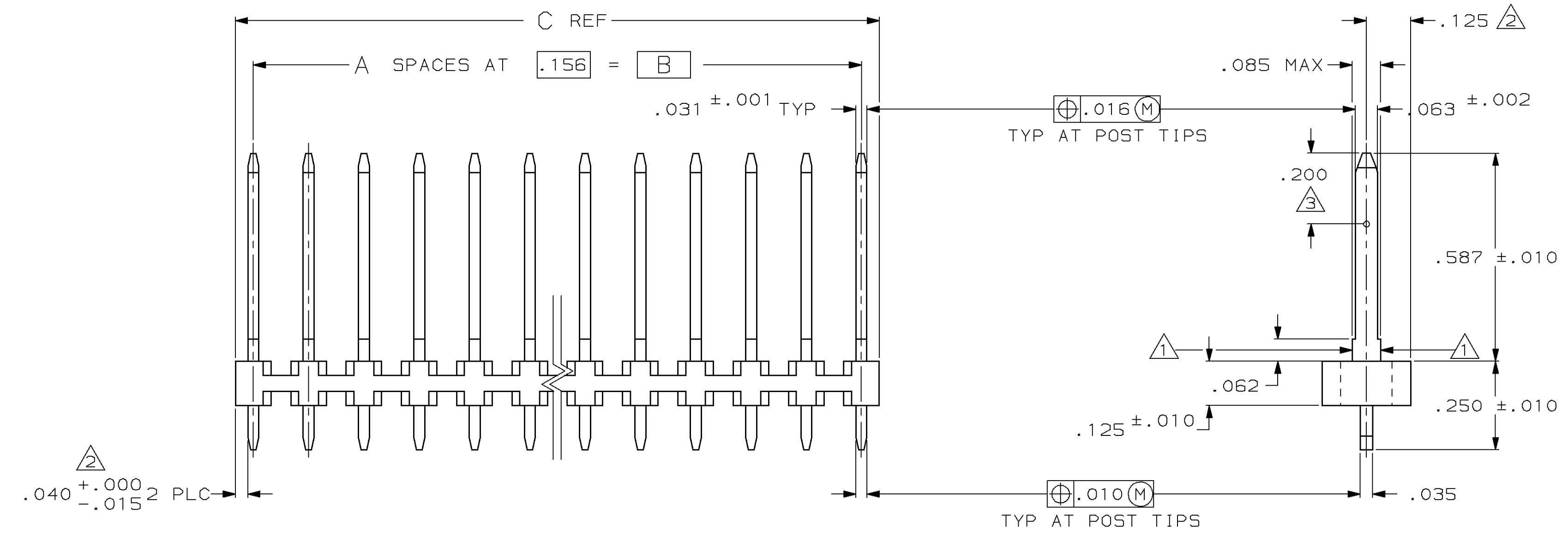
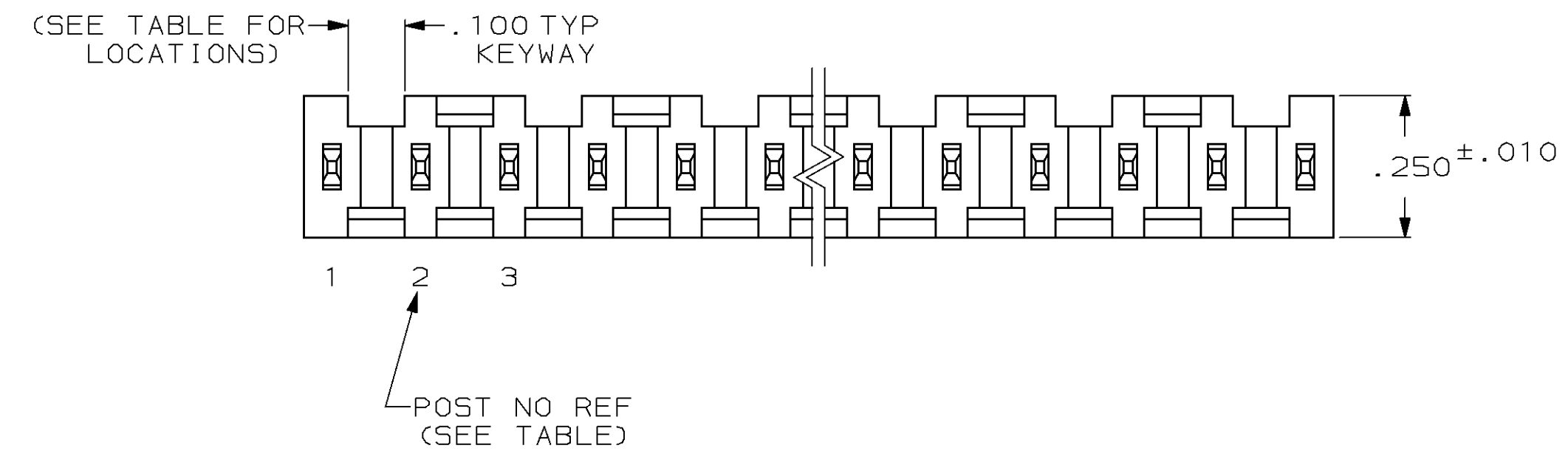
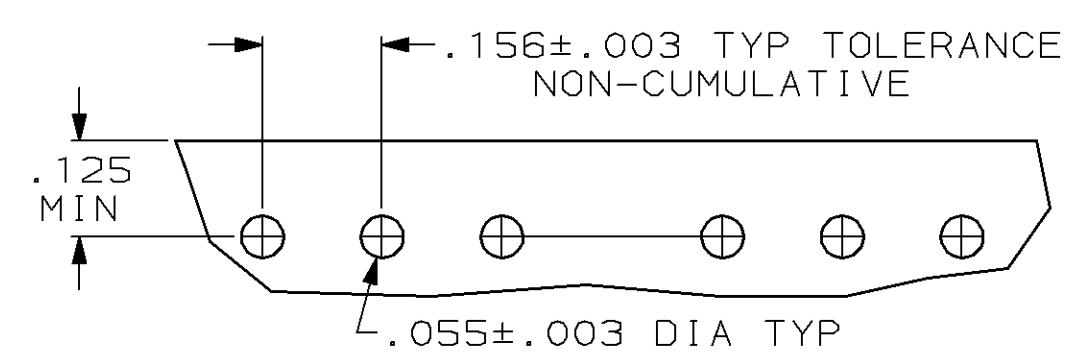


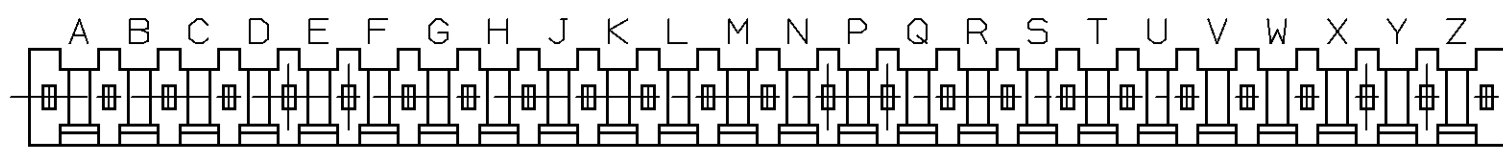
LOC		DIST		REV		ZONE		LTR		DESCRIPTION		DATE	APPD
AD	39												
										B	REV & REDRAWN ECN 1575	HM	-
										C	REV LOC & DIST AD-4171	3-90	BF
										D	REV PER 0310-0048-97	7-11-97	JH



- ① THESE SURFACES WILL NOT BE PLATED
- ② THE NOTED DIMENSIONS APPLY AT THE INTERSECTION OF THE POST AND THE HOUSING
- ③ POINT OF MEASUREMENT FOR PLATING THICKNESS



RECOMMENDED HOLE LAYOUT



KEYWAY LOCATIONS (REF-SEE TABLE)
 (MATING LENGTH OF POST ON NEAR SIDE)
 SCALE: 2:1

POST NUMBER OMITTED	NO OF ACTIVE POSN	KEYWAY LOCATIONS	NO OF KEYWAY	C	B	A	NO OF POSN	ASSEMBLY PART NUMBER
	2	8	3	1.359	1.248	8	9	87707-5
	2	24	11	3.855	3.744	24	25	87707-4
	2	16	6	2.607	2.496	16	17	87707-3
	2	4	2	.735	.624	4	5	87707-2
	2	12	4	1.983	1.872	12	13	87707-1

UNLESS OTHERWISE SPECIFIED DIMENSIONS ARE IN INCHES TOLERANCES ON :		DR 3-24-88 H. MOLL	AMP INCORPORATED Harrisburg, Pa. 17105
2 PL DEC ± .0005 3 PL DEC ± .005 ANGLES ± .005		CHK 3-24-88 E. TREECE	
MATERIAL HOUSING - FLAME RETARDANT THERMOPLASTIC, COLOR - BLACK		APPD 3-24-88 E. TREECE	HEADER ASSEMBLY, MOD I, VERTICAL, SINGLE ROW, .156¢, SELECTIVE LOADING
POSTS - BRASS FINISH POSTS: .000030 GOLD OVER .000050 NICKEL		APPD 3-24-88 J. SCHIEFER	
		PRODUCT SPEC 108-25016	SIZE D
		APPLICATION SPEC -	FSCM NO 00779
		WEIGHT -	DRAWING NO 87707
		SCALE 4:1	SHEET 1 OF 1

Mouser Electronics

Authorized Distributor

Click to View Pricing, Inventory, Delivery & Lifecycle Information:

[TE Connectivity:](#)

[87707-4](#)