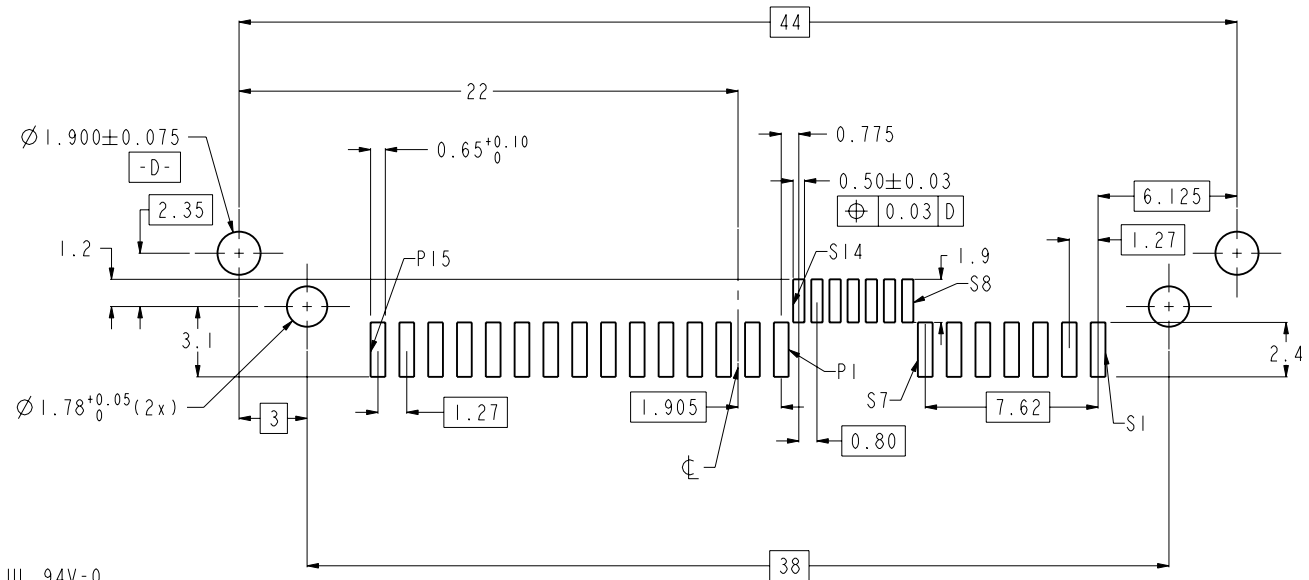
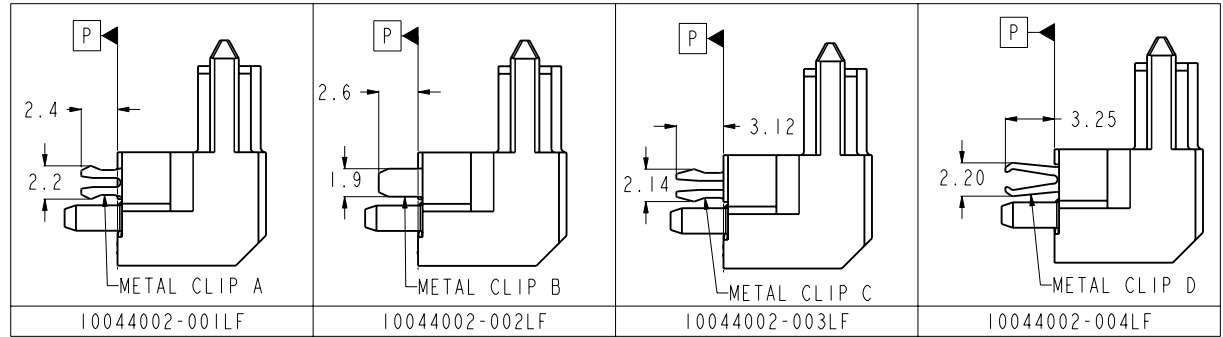


PRODUCT NO	HOLD DOWN	RECOMMENDED PCB THICKNESS
10044002-001LF	METAL CLIP A	1.6MM
10044002-002LF	METAL CLIP B	
10044002-003LF	METAL CLIP C	1.8MM - 1.93MM
10044002-004LF	METAL CLIP D	1.8MM - 2.20MM



RECOMMENDED P.C.B. LAYOUT SCALE 3:1

NOTE:

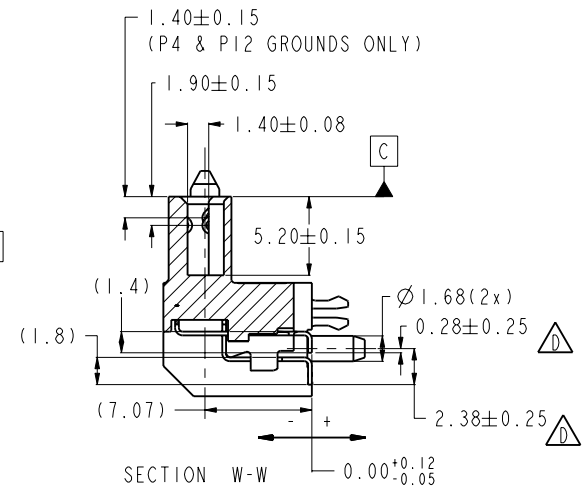
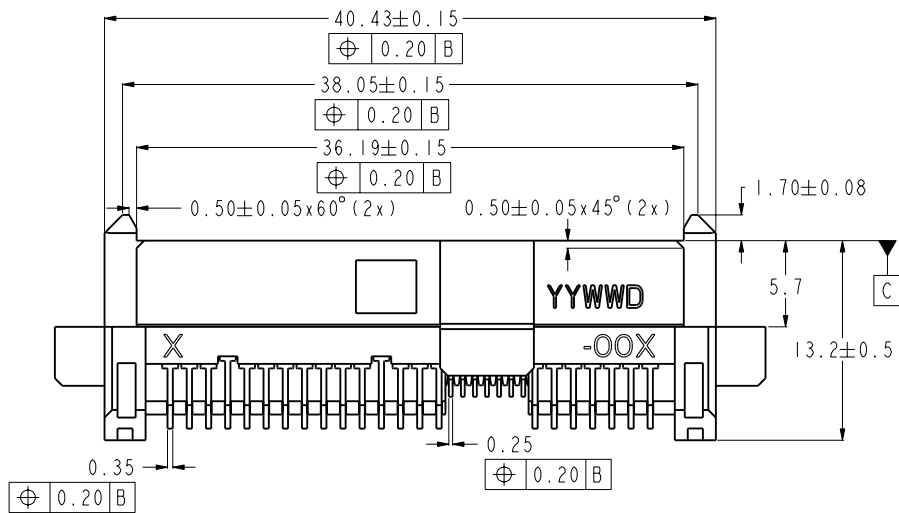
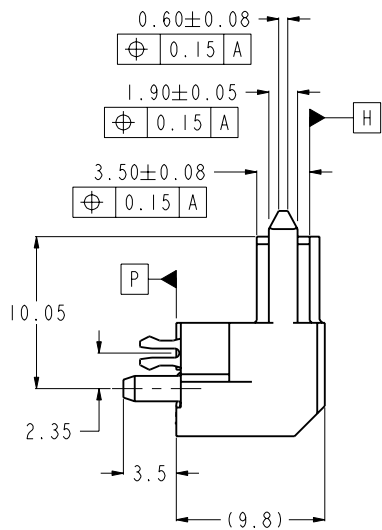
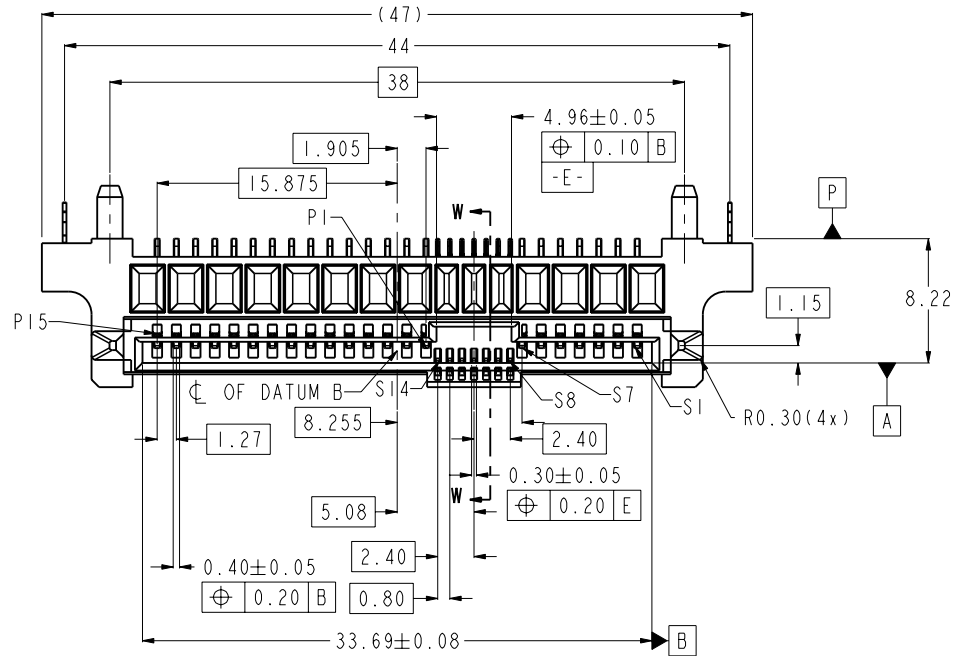
- MATERIAL:
 - HOUSING: HIGH TEMPERATURE THERMOPLASTIC, UL 94V-0
COLOUR: BLACK
 - TERMINAL; COPPER ALLOY
 - HOLD DOWN: COPPER ALLOY
- FINISH (LEAD-FREE):
 - TERMINAL: 30u" Au PLATING (CONTACT POINT) OVER 50u" NICKEL
 - SOLDER TAIL: 100u" MIN Sn OVER 50u" NICKEL
 - HOLD DOWN: 100u" min Sn OVER 50u" NICKEL
- PER SFF REV 1.4 EXCEPT 0.8mm PITCH BUMP AREA.
- THE HOUSING WILL WITHSTAND EXPOSURE TO 260°C PEAK TEMPERATURE FOR 10 SECONDS IN A CONVECTION, INFRA-RED OR VAPOR PHASE REFLOW OVEN.
- THIS PRODUCT MEETS EUROPE UNION DIRECTIVES AND OTHER COUNTRY REGULATIONS AS DESCRIBED IN GS-22-008.
- ALL SOLDER TAIL MUST BE WITHIN 0.12mm MAX COPLANARITY.

7. A BE NEXT TO ANY DIMENSION, VIEW, OR NOTE WHICH HAS BEEN MODIFIED WITH THE CURRENT DRAWING REVISION.

rev	ecn no	dr	date
A	S06-0037	YSS	2006-02-09
B	S07-0155	TAY	2007-05-07
C	S08-0085	TAY	2008-03-24
D	S09-0003	TAY/KP	2009-01-06

www.fciconnect.com			surface - <input checked="" type="checkbox"/>	tolerance std	projection	MM
			TOLERANCES UNLESS OTHERWISE SPECIFIED			
Dr	HO LW	28JUL04	ANGULAR	0.X	±0.3	size A4
Eng	KP TAY	2009-01-06	LINEAR	0.XX	±0.2	Scale 1:1
Chr	KP TAY	2009-01-06	0° ±2°	0.XXX	±0.1	ECN S09-0003
Appr	JOEY NG	2009-01-06	Product family		SAS	Spec ref
			SAS RECEPTACLE		dwg no	10044002
			R/A SMT ASSY			Rev. D
			catalog no		CUSTOMER	sheet 1 of 2

PRODUCT NO.
SEE TABLE



Copyright FCI.



SAS RECEPTACLE
R/A SMT ASSY
catalog no

dwg no 10044002
Rev. D
CUSTOMER sheet 2 of 2

REV F - 2006-04-17

Mouser Electronics

Authorized Distributor

Click to View Pricing, Inventory, Delivery & Lifecycle Information:

[FCI / Amphenol:](#)

[10044002-001LF](#) [10044002-002LF](#) [10044002-003LF](#) [10044002-004LF](#) [10044002-002TRLF](#)