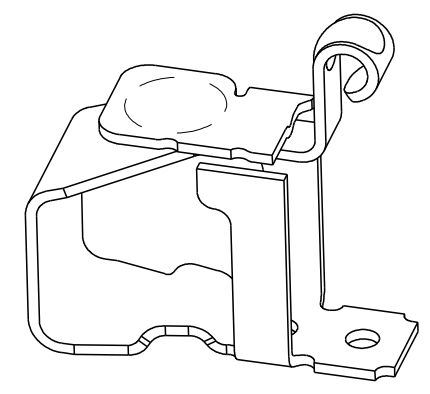
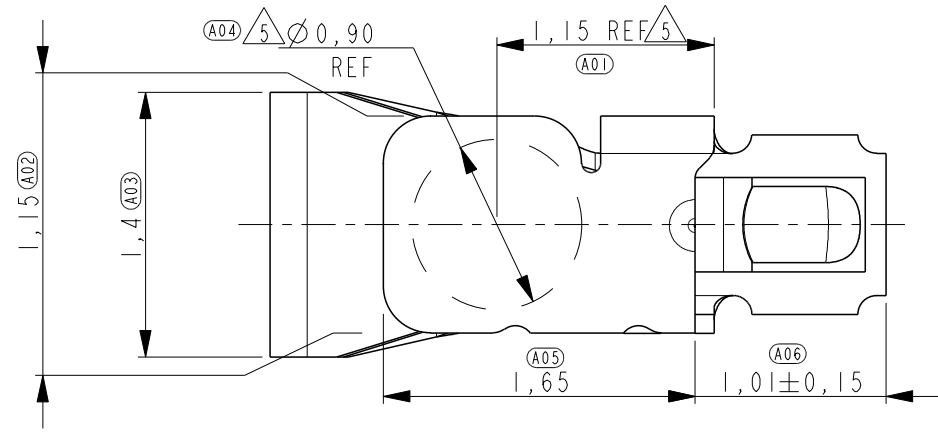


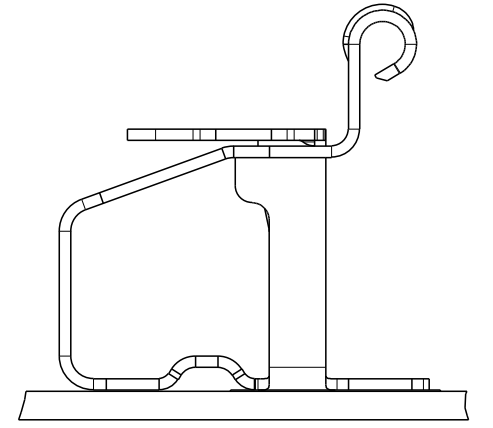
THIS DRAWING IS UNPUBLISHED. RELEASED FOR PUBLICATION
 © COPYRIGHT - BY - ALL RIGHTS RESERVED.

LOC ES DIST 00

REVISIONS					
P	LTR	DESCRIPTION	DATE	DWN	APVD
	A	NEW RELEASE	7DEC2012	T.Z	S.Y
	A1	UPDATED PER ECR-14-004955	27JUL2014	T.Q	W.K

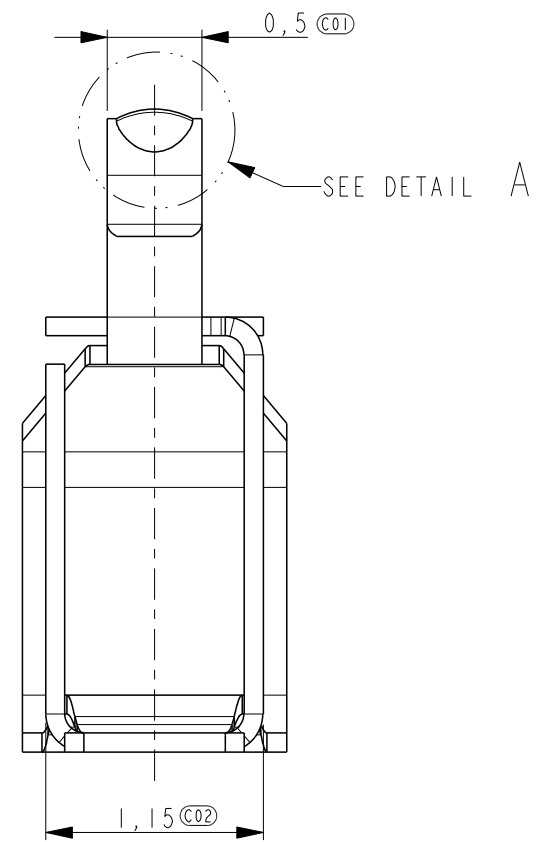
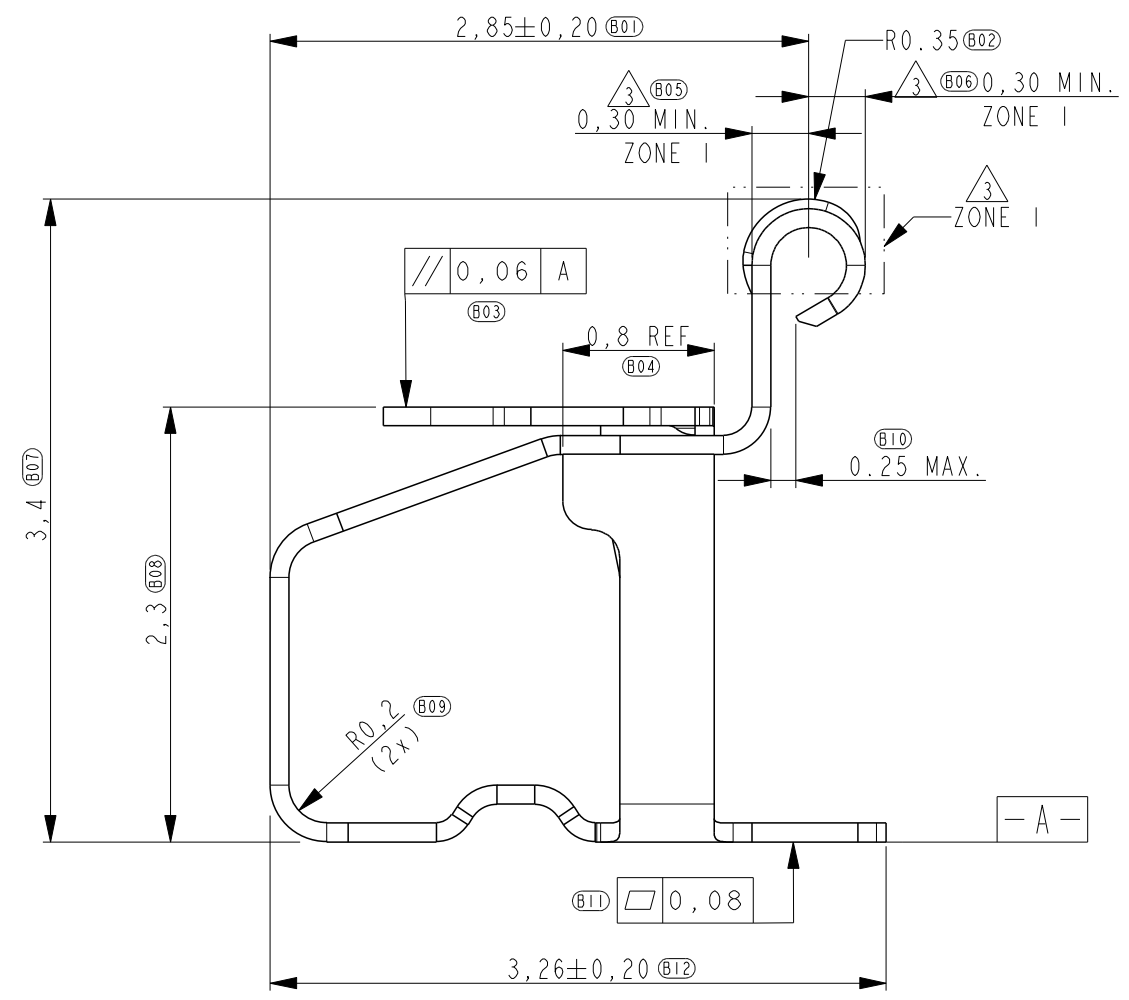


SCALE 15:1

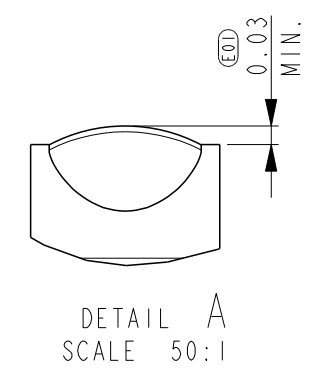


SCALE 15:1

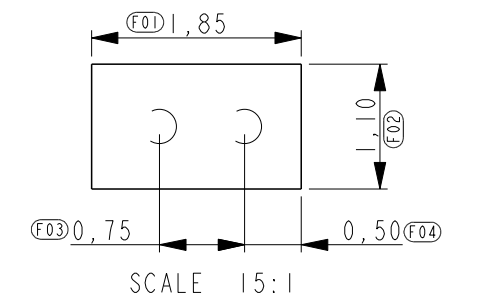
REFERENCE VIEW FOR COMPONENT PLACEMENT



SEE DETAIL A



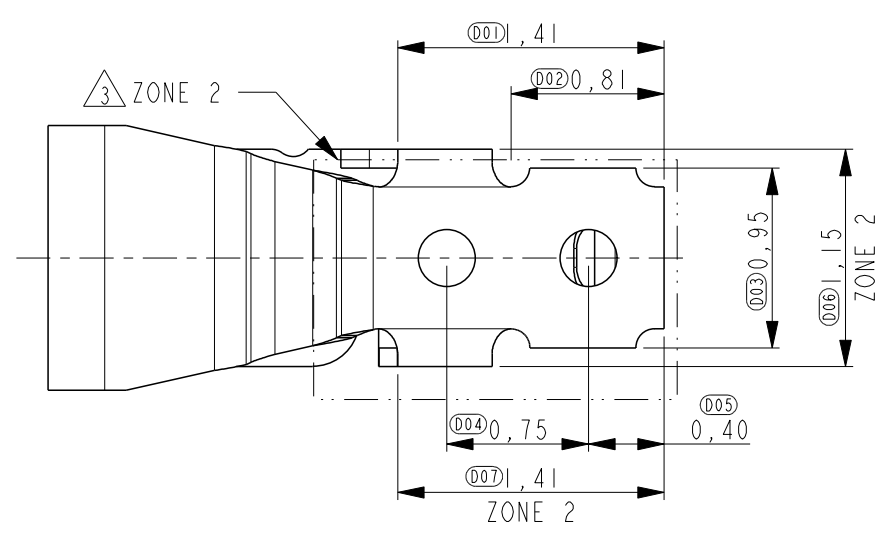
DETAIL A SCALE 50:1



SCALE 15:1

RECOMMENDED PWB LAY-OUT (±0.05)
 DASHED CIRCLES ARE THE LOCATION OF THE SPRING FINGER BOTTOM HOLES

- 1 PART NUMBER: 1551576-5 AS SHOWN.
- 2 MATERIAL: STAINLESS STEEL.
- 3 PLATING: 1,3um MIN. NICKEL UNDERLAYER ALL OVER
 ZONE 1: 0,30um MIN. GOLD
 ZONE 2: 0,01-0,2um GOLD FLASH
- 4 NORMAL FORCE: 0.6±0.2N AT NORMAL HEIGHT 2.8MM.
- 5 INDICATED SURFACE TO BE USED AS PICK AND PLACE SURFACE.



THIS DRAWING IS A CONTROLLED DOCUMENT.

DIMENSIONS: mm	TOLERANCES UNLESS OTHERWISE SPECIFIED: 0 PLC ±0.2 1 PLC ±0.1 2 PLC ±0.1 3 PLC ±0.05 4 PLC ± ANGLES ±5°
MATERIAL 2	FINISH 3

DWN Tony Zhang 15NOV2011	NAME STE SPRING FINGER H=3,40
CHK Xu Xiang 15NOV2011	
APVD Steven Yao 15NOV2011	
PRODUCT SPEC 108-115008	
APPLICATION SPEC	RESTRICTED TO
WEIGHT	SIZE A3 CAGE CODE 00779 DRAWING NO C-1551576
CUSTOMER DRAWING	SCALE 25:1 SHEET 1 OF 2 REV A1



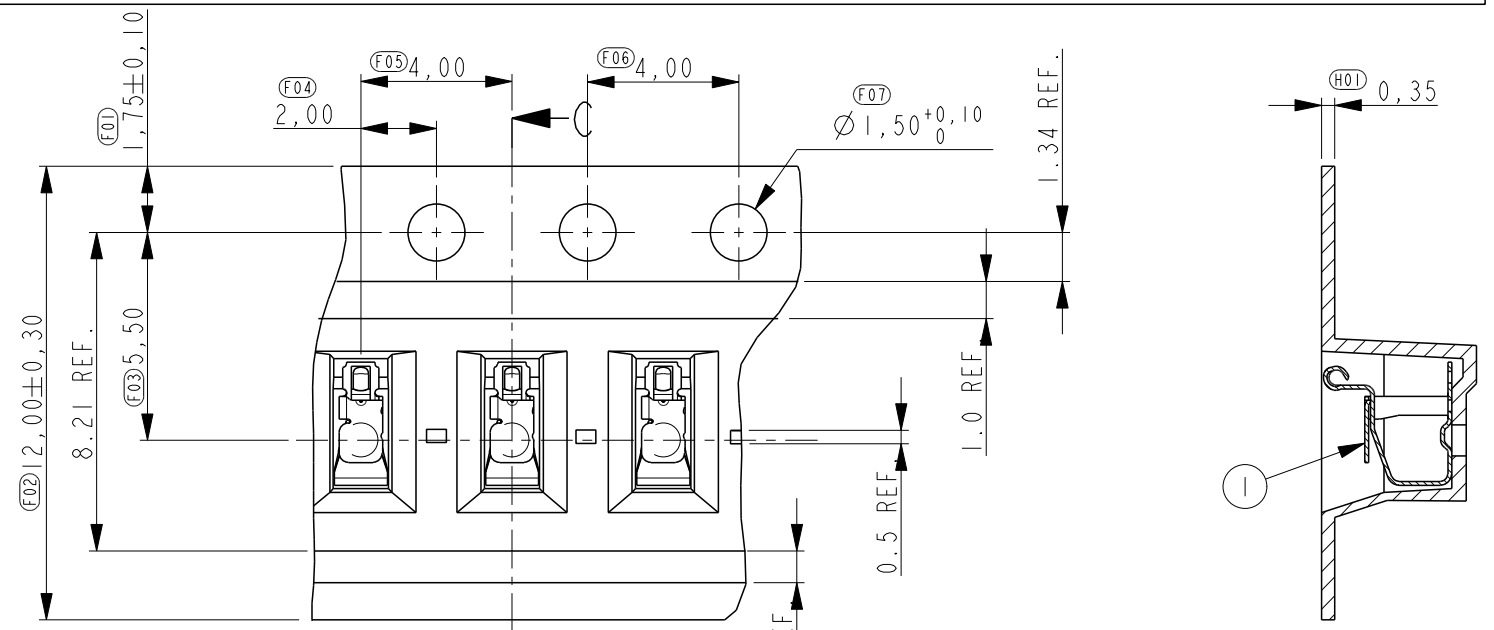
THIS DRAWING IS UNPUBLISHED. RELEASED FOR PUBLICATION

© COPYRIGHT - BY - ALL RIGHTS RESERVED.

LOC ES DIST 00

REVISIONS

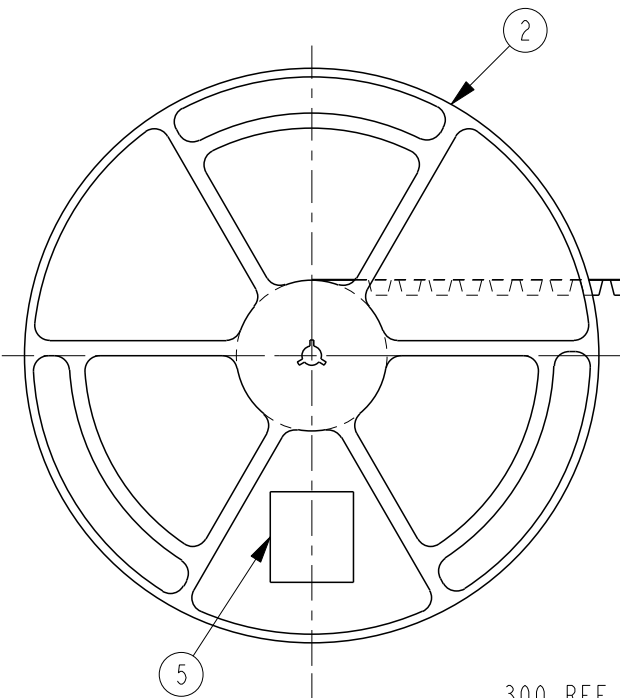
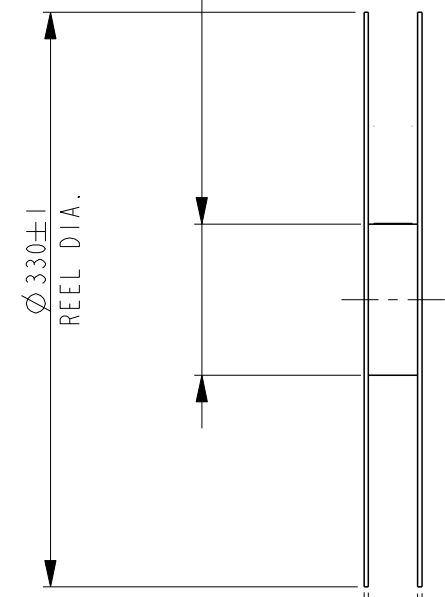
P	LTR	DESCRIPTION	DATE	DWN	APVD
-	-	SEE SHEET 1	-	-	-



SECTION C-C

SCALE 5:1

FRANGE CORE DIA
Ø 100 ± 1



1000mm REF
WEEDING THE COVER TAPE.

165°~180°
PEELING ANGLE
0.1~1.3N(300mm/min)
PEELING STRENGTH

I	LABEL	(5)
I	COVER TAPE (HEAT SEALING)	(4)
I	EMBOSS	(3)
I	PLASTIC REEL	(2)
4000	SPRING FINGER	(1)
QTY	DESCRIPTION	ITEM

300 REF WITHOUT CHARGE WITH PRODUCT CHARGE 4000EA/IREEL WITHOUT CHARGE 100~125HOLES

THIS DRAWING IS A CONTROLLED DOCUMENT.

DIMENSIONS:	TOLERANCES UNLESS OTHERWISE SPECIFIED:
mm	
	0 PLC ±0.2
	1 PLC ±0.1
	2 PLC ±0.1
	3 PLC ±0.05
	4 PLC ±
	ANGLES ±5°
MATERIAL	FINISH

DWN
CHK
APVD
PRODUCT SPEC
APPLICATION SPEC
WEIGHT

STE TE Connectivity

NAME: SPRING FINGER
H=3,40

SIZE	CAGE CODE	DRAWING NO	RESTRICTED TO
A3	00779	C=1551576	-

CUSTOMER DRAWING SCALE 25:1 SHEET 2 OF 2 REV A1

Mouser Electronics

Authorized Distributor

Click to View Pricing, Inventory, Delivery & Lifecycle Information:

[TE Connectivity:](#)

[1551576-5](#)