



MICRO SWITCH™ Watertight
Miniature Basic Switches
V15W Series



MICRO SWITCH™ V15W Series

Watertight Miniature Basic Switches

Honeywell MICRO SWITCH™ V15W Series miniature, sealed basic switches feature industrial-grade performance (IP-rated sealing and 10 A electrical rating). These redesigned and upgraded switches are cost-effective solutions for a variety of applications.

The V15W switch with sealed plunger and sealed wire leads conforms to the IP67 environmental seal rating (temporary submersion). The IP67 seal rating is designed for indoor and outdoor applications on commercial appliances, industrial equipment, surface transportation, and agriculture equipment where the switch could be exposed to liquid or particulate contaminants.

In addition, the V15W Series is designed to control logic level/computer based circuits or electrical circuits up to 10 A. Electrical connectivity for the switch is achieved via combination quick connect/solder terminals or sealed wire leads. A wide variety of levers for the V15W Series are available to enhance the application flexibility of the switch package.

The V15W Series is further enhanced with certification from CQC (Asia-Pacific), ENEC (Europe), UL and cUL (Americas) agencies for global applications.

What makes our switches better?

- Watertight. Dust tight. Leaded versions are sealed to IP67
- High current capacity: this V-sized sealed switch is rated up to 10 A!
- Many different switch characteristics, actuators, and terminations resulting in thousands of potential configurations
- Product performance matched to customer design expectations



VALUE • CUSTOMIZATION • RELIABLE
ENVIRONMENTAL PROTECTION • FLEXIBLE

Features and Benefits

EXCELS IN DUSTY, DIRTY, WET CONDITIONS

Silicone rubber plunger seal and epoxy resin assure the V15W Series delivers high sealing capability with an **IP67 rating on all pre-leaded switches** that makes them a great choice for wet, dirty, and/or dusty application settings.

V-sized sealed switch rated to 10 A!

HANDLES LOW VOLTAGE AND POWER-DUTY LOADS WITH EASE

MICRO SWITCH™ V15W Series basic switches are available with a choice of **silver alloy or gold-plated silver alloy contacts** to easily control low-voltage logic level applications. The silver alloy contacts are designed for controlling power-duty ac or dc circuits.

REDUCES INSTALLATION TIME

Offered with pre-leaded 300 mm wire, the V15W Series can reduce and simplify installation.

DESIGN FLEXIBILITY

Available with pin plungers, stainless steel levers, three types of terminations, and a variety of switch characteristics to meet an assortment of equipment requirements, MICRO SWITCH™ V15W Series switches also boast electrical ratings from 0.1 A up to 10 A for design flexibility in one package size.

WORLDWIDE USE

The V15W Series is certified to UL, cUL (North America), CQC (Asia-Pacific), and ENEC (Europe) for world-wide applications.

Potential Applications



FOOD PACKAGING PLANTS

Performs a variety of position and counting functions

ATV AND OFF-ROAD VEHICLES

Often used in brake light assemblies, brake position detection, handle bar controls, run-away prevention, shift lever position, and marine controls

GARBAGE AND SALT TRUCKS, COMMERCIAL BUSES, VANS

Operates in a variety of functions, including lift position, door ajar/open, salt spreader on/off detection, and wheel chair lifts (sense position of movable platforms)



VENDING MACHINES

Aids with product selection, liquid dispensing on/off position, and product delivery detection

GOLF CARTS

Determines foot pedal position and initiates reverse alarm on shift lever



MEDICAL EQUIPMENT

Often used on hospital bed controls, dental chairs, foot pedals, and pneumatic switches

FORKLIFT AND RIDING LAWN MOWER SEATS

Senses operator presence or absence and shifter position

MICRO SWITCH™ Watertight Miniature Basic Switches

PRODUCT NOMENCLATURE

| | V15W | D | Z | 200 | A | 02 | A | W1 | | |
|---------------------------------------|-------------|--------------------------------|---------------|------------------------------------|---------------------------------------|-----------------------------------|-------------------------|-----------------------------------|--|---|
| | Switch Type | Terminals/Wiring | Circuitry | Operating Force | Lever Location | Lever Type | Mounting Holes | Contact Material | Electrical Rating (must be included) | Special Designator |
| MICRO SWITCH™ V-Basic Standard Switch | D | 4,8 mm x 0,8 mm | Z SPDT | 050 50 g max. | No lever | Pin plunger | Metric (Ø 3,1 mm) | Standard silver alloy | W1 0.1 A, 125/250 Vac 0.1 A, 30 Vdc | A special designator code is used to indicate some non-standard feature such as a special actuator, wire color, wire length, connector, etc. Review product specification to determine the nature of the non-standard feature. This code will consist of up to three alphanumeric characters. A blank designates no difference from standard listing. |
| V15W Watertight Switch | E | 4,8 mm x 0,5 mm | P SPNO | 100 100 g max. | A Lever pivot far from plunger | 01 Short straight lever | K USA (Ø 2,9 mm) | A Gold-plated silver alloy | W2 6 A, 125/250 Vac 5 A, 30 Vdc | |
| | W | 300 mm long wires ¹ | C SPNC | 150 150 g max. | B Lever pivot near plunger | 02 Standard straight lever | | | W3 10 A, 125/250 Vac ² 5 A, 30 Vdc ² | |
| | S | Special | | 200 200 g max. ² | | 03 Long straight lever | | | | |
| | | | | 300 300 g max. ² | | 04 Simulated roller lever | | | | |
| | | | | | | 05 Roller lever | | | | |
| | | | | | | 06 Long roller lever | | | | |
| | | | | | | 99 Special | | | | |

¹ Electrical rating and wire type (standard)
W1: 24 AWG (0,20 mm²)
W2: 18 AWG (0,82 mm²)
W3: 16 AWG (1,31 mm²)

² 200 g and 300 g operate forces are the only forces allowed with the W3 electrical rating.

Not all combinations of model code are available. Please contact your Honeywell provider/representative for assistance.

Table 1. Specifications

| Characteristic | Parameter |
|---|--|
| Circuitry | SPDT, SPNO, SPNC |
| Operating force | 50 gf, 100 gf, 150 gf, 200 gf, 300 gf |
| Termination | quick connect: 4,8 mm x 0,8 mm quick connect: 4,8 mm x 0,5 mm 300 mm lead wire length |
| Actuators (levers 300 series stainless steel) | pin plunger, short straight lever, standard straight lever, long straight lever, simulated roller lever, roller lever, long roller lever |
| Agency certification | UL, cUL, ENEC, CQC |
| Sealing | IP67 (lead versions) IP00 (quick-connect versions due to exposed terminal) |
| Plunger sealing | silicone |
| Operating temperature | -40 °C to 85 °C [-40 °F to 185 °F] |
| Mechanical life (cycles) | 1,000,000 cycles min. @ 180 cycles/minute max. |
| Dielectric strength | 500 Vac (RMS) for 1 minute leakage current ≤ 0.5 mA between open contacts |
| Switch resistance (initial) | 300 mΩ max. |
| Insulation resistance | 100 MΩ min. (500 Vdc for 1 minute) |
| Contact material | silver alloy, gold-plated silver alloy |
| Housing material | PBT thermoplastic polyester |

Table 2. Electrical Ratings

| Switch option | cUL, UL per 61058-1, File 12252 | CQC per GB15092-1, ENEC per 61058-1 |
|---------------|---|-------------------------------------|
| W1 | 0.1 RA (Resistive Amp) 125/250 Vac 0.1 RA 30 Vdc | 0.1 A 125/250 Vac 0.1 A 30 Vdc |
| W2 | 6 RA (Resistive Amp) 125/250 Vac 5 RA 30 Vdc | 6 A 125/250 Vac 5 A 30 Vdc |
| W3 | 10 RA (Resistive Amp) 125/250 Vac 5 RA 30 Vdc | 10 A 125/250 Vac 5 A 30 Vdc |



Note: cUL, UL, ENEC, and CQC use temperature is 55 °C max. for wired versions, 85 °C max. for terminal versions.

V15W Series

O.F. • Operating force
 R.F. • Release force
 P.T. • Pretravel
 O.T. • Overtravel
 D.T. • Differential travel
 O.P. • Operating position

PRODUCT SPECIFICATIONS AND LISTINGS

Contact your Honeywell rep or distributor for additional listings


| | Catalog Listing | Elec. Rating (see page 5) | Termination | Circuitry/ Contacts | O.F. max. newtons [grams] | O.P. nominal | P.T. max. | O.T. min. | D.T. max. |
|--|-------------------|---------------------------|---------------------|---------------------|---------------------------|--------------------|------------------|------------------|-------------------|
|  Pin plunger | V15W-DZ200-AW1 | W1 | QC: 4,8 mm x 0,8 mm | SPDT/ gold-plated | 1,96 [200] | 14,7 mm [0.578 in] | 1,2 mm [0.05 in] | 1,0 mm [0.04 in] | 0,4 mm [0.015 in] |
| | V15W-DZ200-W2 | W2 | QC: 4,8 mm x 0,8 mm | SPDT/ silver alloy | 1,96 [200] | 14,7 mm [0.578 in] | 1,2 mm [0.05 in] | 1,0 mm [0.04 in] | 0,4 mm [0.015 in] |
| | V15W-DZ200-W3 | W3 | QC: 4,8 mm x 0,8 mm | SPDT/ silver alloy | 1,96 [200] | 14,7 mm [0.578 in] | 1,2 mm [0.05 in] | 1,0 mm [0.04 in] | 0,4 mm [0.015 in] |
| | V15W-EZ200-W3 | W3 | QC: 4,8 mm x 0,5 mm | SPDT/ silver alloy | 1,96 [200] | 14,7 mm [0.578 in] | 1,2 mm [0.05 in] | 1,0 mm [0.04 in] | 0,4 mm [0.015 in] |
| | V15W-WC200-AW1 | W1 | 300 mm wire leads | SPNC/ gold-plated | 1,96 [200] | 14,7 mm [0.578 in] | 1,2 mm [0.05 in] | 1,0 mm [0.04 in] | 0,4 mm [0.015 in] |
| | V15W-WP200-W2 | W2 | 300 mm wire leads | SPDT/ silver alloy | 1,96 [200] | 14,7 mm [0.578 in] | 1,2 mm [0.05 in] | 1,0 mm [0.04 in] | 0,4 mm [0.015 in] |
| | V15W-WZ200-W3 | W3 | 300 mm wire leads | SPDT/ silver alloy | 1,96 [200] | 14,7 mm [0.578 in] | 1,2 mm [0.05 in] | 1,0 mm [0.04 in] | 0,4 mm [0.015 in] |
|  Short straight lever | V15W-DZ100A01-AW1 | W1 | QC: 4,8 mm x 0,8 mm | SPDT/ gold-plated | 0,83 [85] | 15,1 mm [0.59 in] | 2,6 mm [0.10 in] | 1,1 mm [0.04 in] | 0,6 mm [0.024 in] |
|  Standard straight lever | V15W-DZ200A02-AW1 | W1 | QC: 4,8 mm x 0,8 mm | SPDT/ gold-plated | 1,08 [110] | 14,8 mm [0.582 in] | 4,0 mm [0.16 in] | 1,5 mm [0.06 in] | 0,9 mm [0.035 in] |
| | V15W-DZ200A02-W2 | W2 | QC: 4,8 mm x 0,8 mm | SPDT/ silver alloy | 1,08 [110] | 14,8 mm [0.582 in] | 4,0 mm [0.16 in] | 1,5 mm [0.06 in] | 0,9 mm [0.035 in] |
| | V15W-WZ200A02-AW1 | W1 | 300 mm wire leads | SPDT/ gold-plated | 1,08 [110] | 14,8 mm [0.582 in] | 4,0 mm [0.16 in] | 1,5 mm [0.06 in] | 0,9 mm [0.035 in] |
| | V15W-WZ200A02-W2 | W2 | 300 mm wire leads | SPDT/ silver alloy | 1,08 [110] | 14,8 mm [0.582 in] | 4,0 mm [0.16 in] | 1,5 mm [0.06 in] | 0,9 mm [0.035 in] |
|  Long straight lever | V15W-WC050A03-W2 | W2 | 300 mm wire leads | SPNC/ silver alloy | 0,20 [20] | 13,4 mm [0.53 in] | 7,0 mm [0.28 in] | 2,6 mm [0.10 in] | 2,0 mm [0.08 in] |
|  Simulated roller lever | V15W-DZ200A04-W2 | W2 | QC: 4,8 mm x 0,8 mm | SPDT/ silver alloy | 1,22 [125] | 18,1 mm [0.71 in] | 3,6 mm [0.14 in] | 1,7 mm [0.07 in] | 1,0 mm [0.04 in] |
| | V15W-WZ050B04-W2 | W2 | 300 mm wire leads | SPDT/ silver alloy | 0,20 [20] | 17,6 mm [0.69 in] | 7,2 mm [0.28 in] | 2,1 mm [0.08 in] | 1,7 mm [0.07 in] |
| | V15W-WZ200A04-W2 | W2 | 300 mm wire leads | SPDT/ silver alloy | 1,22 [125] | 18,1 mm [0.71 in] | 3,6 mm [0.14 in] | 1,7 mm [0.07 in] | 1,0 mm [0.04 in] |
| | V15W-WZ200A04-W3 | W3 | 300 mm wire leads | SPDT/ silver alloy | 1,22 [125] | 18,1 mm [0.71 in] | 3,6 mm [0.14 in] | 1,7 mm [0.07 in] | 1,0 mm [0.04 in] |
|  Roller lever | V15W-DZ200A05-AW1 | W1 | QC: 4,8 mm x 0,8 mm | SPDT/ gold-plated | 1,96 [200] | 20,6 mm [0.81 in] | 2,1 mm [0.08 in] | 1,0 mm [0.04 in] | 0,5 mm [0.02 in] |
| | V15W-WZ200A05-AW1 | W1 | 300 mm wire leads | SPDT/ gold-plated | 1,96 [200] | 20,6 mm [0.81 in] | 2,1 mm [0.08 in] | 1,0 mm [0.04 in] | 0,5 mm [0.02 in] |
| | V15W-WZ200A05-W2 | W2 | 300 mm wire leads | SPDT/ silver alloy | 1,96 [200] | 20,6 mm [0.81 in] | 2,1 mm [0.08 in] | 1,0 mm [0.04 in] | 0,5 mm [0.02 in] |

MICRO SWITCH™ Watertight Miniature Basic Switches

O.F. • Operating force
 R.F. • Release force
 P.T. • Pretravel
 O.T. • Overtravel
 D.T. • Differential travel
 O.P. • Operating position

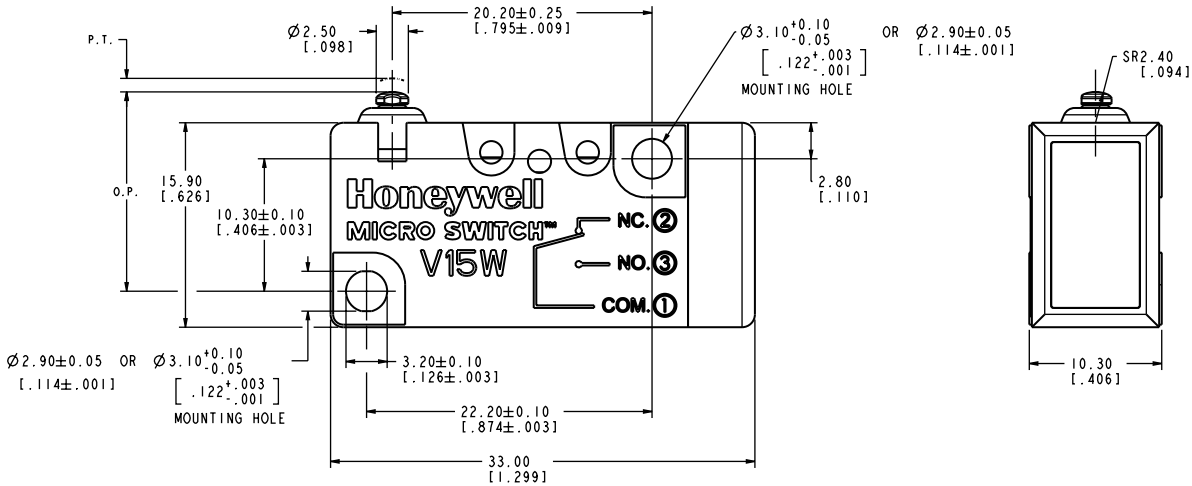
PRODUCT SPECIFICATIONS AND LISTINGS

Contact your Honeywell rep or distributor for additional listings

| | Catalog Listing | Elec. Rating (see page 5) | Termination | Circuitry/ Contacts | O.F. max. newtons [grams] | O.P. nominal | P.T. max. | O.T. min. | D.T. max. |
|--|-------------------|---------------------------|---------------------|---------------------|---------------------------|-------------------|------------------|------------------|------------------|
|  <p>Long roller lever</p> | V15W-DZ200A06-AW1 | W1 | QC: 4,8 mm x 0,8 mm | SPDT/ gold-plated | 1,27 [130] | 20,4 mm [0.80 in] | 3,3 mm [0.13 in] | 1,3 mm [0.05 in] | 0,7 mm [0.03 in] |
| | V15W-DZ200A06-W2 | W2 | QC: 4,8 mm x 0,8 mm | SPDT/ silver alloy | 1,27 [130] | 20,4 mm [0.80 in] | 3,3 mm [0.13 in] | 1,3 mm [0.05 in] | 0,7 mm [0.03 in] |
| | V15W-WP200A06-W2 | W2 | 300 mm wire leads | SPNO/ silver alloy | 1,27 [130] | 20,4 mm [0.80 in] | 3,3 mm [0.13 in] | 1,3 mm [0.05 in] | 0,7 mm [0.03 in] |
| | V15W-WZ200A06-AW1 | W1 | 300 mm wire leads | SPDT/ gold-plated | 1,27 [130] | 20,4 mm [0.80 in] | 3,3 mm [0.13 in] | 1,3 mm [0.05 in] | 0,7 mm [0.03 in] |
| | V15W-WZ200A06-W2 | W2 | 300 mm wire leads | SPDT/ silver alloy | 1,27 [130] | 20,4 mm [0.80 in] | 3,3 mm [0.13 in] | 1,3 mm [0.05 in] | 0,7 mm [0.03 in] |

V15W Series

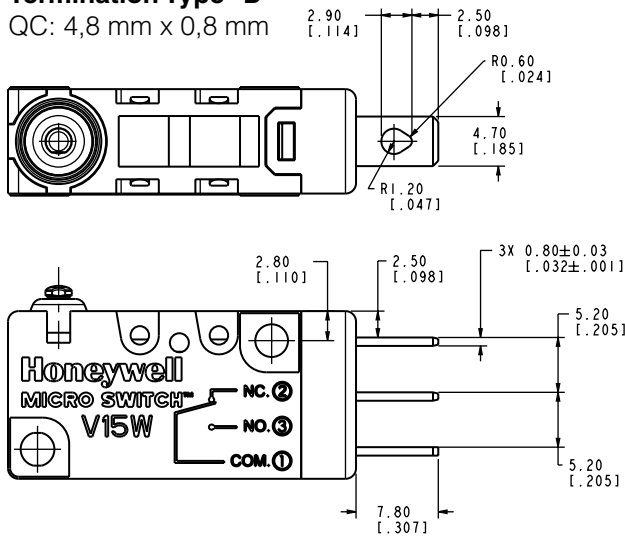
MOUNTING DIMENSIONS



TERMINATION OPTION DIMENSIONS

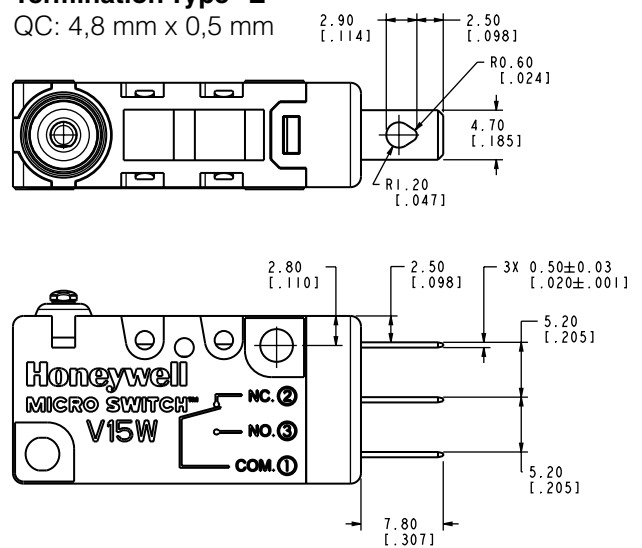
Termination Type "D"

QC: 4,8 mm x 0,8 mm



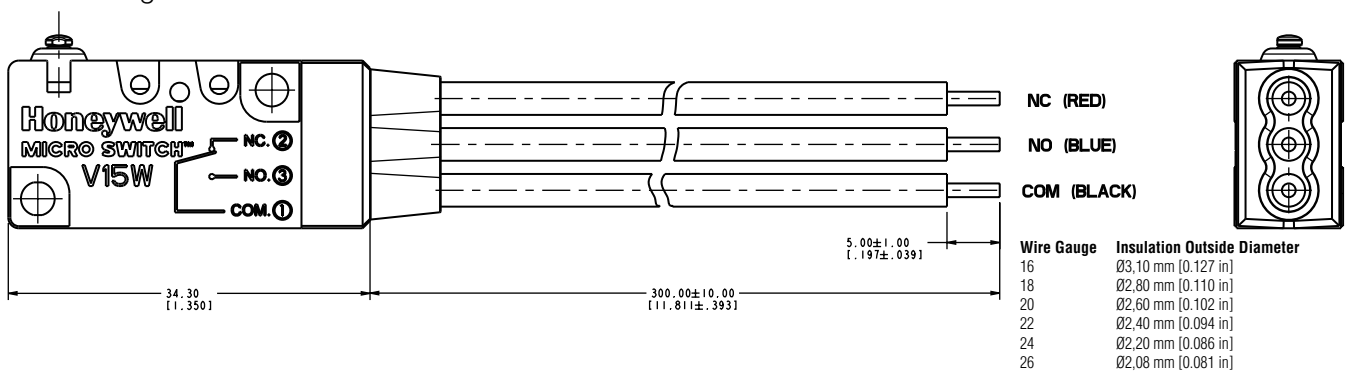
Termination Type "E"

QC: 4,8 mm x 0,5 mm



Termination Type "W"

300 mm long wires



MICRO SWITCH™ Watertight Miniature Basic Switches

STANDARD LEVER DIMENSIONS

Lever Type "01"

Short Straight Lever



Lever Type "02"

Standard Straight Lever



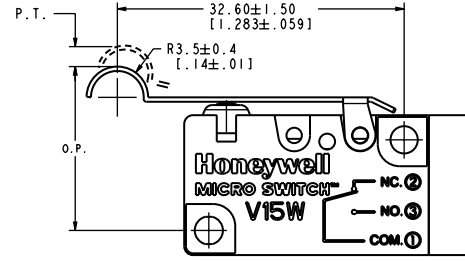
Lever Type "03"

Long Straight Lever



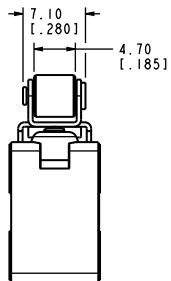
Lever Type "04"

Simulated Roller Lever



Lever Type "05" "06"

ROLLER LEVER DIMENSIONS



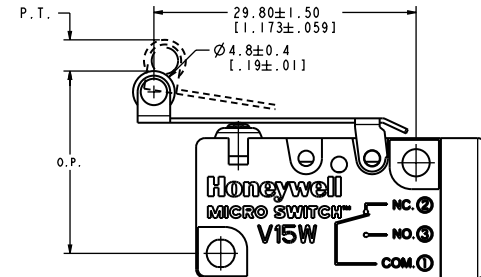
Lever Type "05"

Roller Lever



Lever Type "06"

Long Roller Lever



This Honeywell datasheet supports the following MICRO SWITCH™ V15W Series Basic Switch Listings

V15W-DZ100A01-AW1
 V15W-DZ200A02-AW1
 V15W-DZ200A02-W2
 V15W-DZ200A04-W2
 V15W-DZ200A05-AW1
 V15W-DZ200A06-AW1
 V15W-DZ200A06-W2

V15W-DZ200-AW1
 V15W-DZ200-W2
 V15W-DZ200-W3
 V15W-EZ200-W3
 V15W-WC050A03-W2
 V15W-WC200-AW1

V15W-WP200A06-W2
 V15W-WP200-W2
 V15W-WZ050B04-W2
 V15W-WZ200A02-AW1
 V15W-WZ200A02-W2
 V15W-WZ200A04-W2

V15W-WZ200A04-W3
 V15W-WZ200A05-AW1
 V15W-WZ200A05-W2
 V15W-WZ200A06-AW1
 V15W-WZ200A06-W2
 V15W-WZ200-W3

ADDITIONAL INFORMATION

The following associated literature is available on the Honeywell web site at sensing.honeywell.com:

- Product installation instructions
- Product range guide
- Product nomenclature tree
- Product application-specific information
 - Application note: Watertight switches in transportation applications
 - Application note: Sensors and switches in oil rig applications
 - Application note: Sensors and switches for potential medical applications
 - Brochure: Sensors and switches for potential medical applications
 - Technical bulletin: Applying precision switches
 - Technical bulletin: Low energy switch guide

WARNING

PERSONAL INJURY

DO NOT USE these products as safety or emergency stop devices or in any other application where failure of the product could result in personal injury.

Failure to comply with these instructions could result in death or serious injury.

WARNING

MISUSE OF DOCUMENTATION

- The information presented in this product sheet is for reference only. Do not use this document as a product installation guide.
- Complete installation, operation, and maintenance information is provided in the instructions supplied with each product.

Failure to comply with these instructions could result in death or serious injury.

WARRANTY/REMEDY

Honeywell warrants goods of its manufacture as being free of defective materials and faulty workmanship. Honeywell's standard product warranty applies unless agreed to otherwise by Honeywell in writing; please refer to your order acknowledgement or consult your local sales office for specific warranty details. If warranted goods are returned to Honeywell during the period of coverage, Honeywell will repair or replace, at its option, without charge those items it finds defective. **The foregoing is buyer's sole remedy and is in lieu of all other warranties, expressed or implied, including those of merchantability and fitness for a particular purpose. In no event shall Honeywell be liable for consequential, special, or indirect damages.**

While we provide application assistance personally, through our literature and the Honeywell website, it is up to the customer to determine the suitability of the product in the application.

Specifications may change without notice. The information we supply is believed to be accurate and reliable as of this printing. However, we assume no responsibility for its use.

Find out more

Honeywell serves its customers through a worldwide network of sales offices, representatives and distributors. For application assistance, current specifications, pricing or name of the nearest Authorized Distributor, contact your local sales office.

To learn more about Honeywell's sensing and control products, call **+1-815-235-6847** or **1-800-537-6945**, visit **sensing.honeywell.com**, or e-mail inquiries to **info.sc@honeywell.com**

Sensing and Control
Honeywell
1985 Douglas Drive North
Golden Valley, MN 55422
honeywell.com

The Honeywell logo is displayed in a bold, red, sans-serif font.

Mouser Electronics

Authorized Distributor

Click to View Pricing, Inventory, Delivery & Lifecycle Information:

Honeywell:

[V15W11DZ200A02-AW1](#) [V15W11DZ200A05-AW1](#) [V15W11DZ200A06-AW1](#) [V15W11WZ200A02-AW1](#)
[V15W11WZ200A06-AW1](#) [V15W11-DZ200-AW1](#) [V15W11-EZ200-W3](#) [V15W11-WZ200-W3](#) [V15W11-DZ200A02-W2](#)
[V15W11-DZ200A04-W2](#) [V15W11-DZ200A06-W2](#) [V15W11-WZ200A02-W2](#) [V15W11-EP015-AW1](#) [V15W11-](#)
[WC050A03-W2](#) [V15W-WZ200A05-AW1](#) [V15W-WZ200A02-AW1](#) [V15W-DZ200A04-W2](#) [V15W11EC025B01KAW1](#)
[V15W11-WZ050-W2](#) [V15W11EZ025B03-KW2](#) [V15W-DZ200A06-W2](#) [V15W11-DZ200-W3](#) [V15W11WP015A03-KW1](#)
[V15W-WZ200A02-W2](#) [V15W-WZ200A06-AW1](#) [V15W11-EZ100-W2](#) [V15W11-WC100-W2](#) [V15W-EZ200-W3](#) [V15W-](#)
[DZ200A05-AW1](#) [V15W-DZ200-AW1](#) [V15W-DZ200A02-W2](#) [V15W11-WZ200A02-W3](#) [V15W-DZ200A02-AW1](#)
[V15W11-WZ050B04-W2](#) [V15W-DZ200A06-AW1](#) [V15W11WP015A05-KW1](#) [V15W11EZ015B03KAW1](#) [V15W-WZ200-](#)
[W3](#) [V15W-WC200A04-KW3](#) [V15W-EZ200A02-AW1](#) [V15W-WC150A04-KW3](#) [V15W-EZ100-W2](#) [V15W-WC200-W2](#)
[V15W-EP200-W3](#) [V15W-WP050B99-W11](#) [V15W-EP200A05-AW1](#) [V15W-EZ200A05-AW1](#) [V15W-EZ300-W2](#) [V15W-](#)
[WP050A05-KW1](#) [V15W-WC200A02-W2](#) [V15W-WP050A03-KW1](#) [V15W11-WZ200A04-W3](#) [V15W11-WZ200A04-W2](#)
[V15W11-DZ100-AW1](#) [V15W11-WZ200A05-W3](#) [V15W11WZ200A05-AW1](#) [V15W-WZ200A04-W2](#) [V15W-WZ200A04-](#)
[W3](#) [V15W-WP200A06-W2](#) [V15W-DZ200-W2](#) [V15W-DZ200-W3](#) [V15W-WP200-W2](#) [V15W-WC050A03-W2](#) [V15W-](#)
[DZ100A01-AW1](#) [V15W-WZ200A05-W2](#) [V15W-WZ200A06-W2](#) [V15W-WZ200-W201](#) [V15W-WC200-AW1](#) [V15W-](#)
[WP200A05-W22](#) [V15W-WZ050B04-W2](#) [V15W-WP200A05-W303](#) [V15W-EZ200A02-W2](#) [V15W-WZ200A02-W3](#)
[V15W-WZ200A05-W3](#) [V15W-WZ200A03-AW1](#) [V15W11-WP200-W2](#)