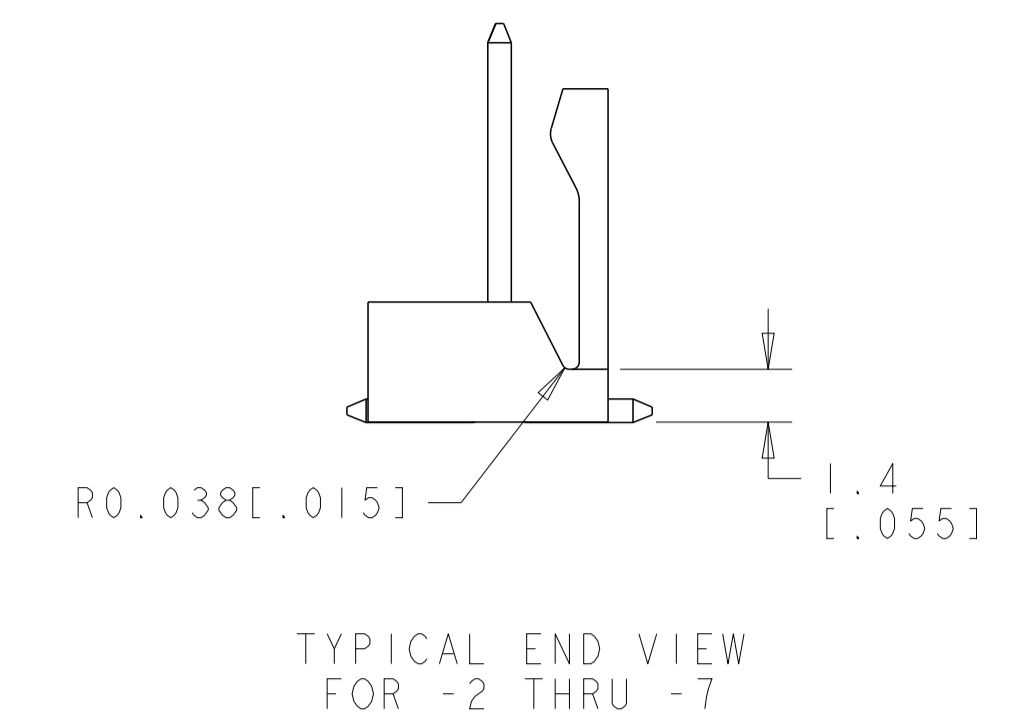
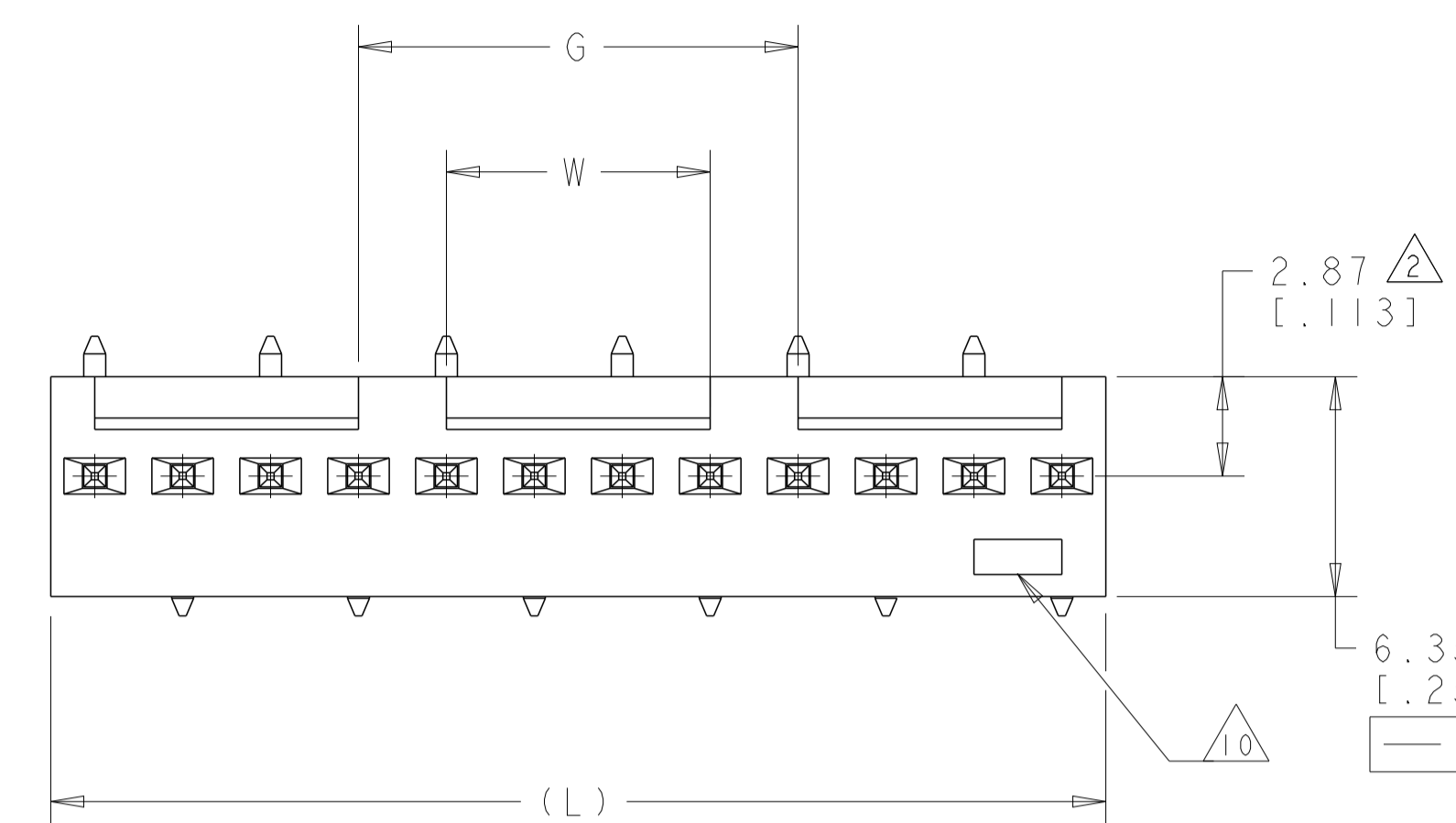
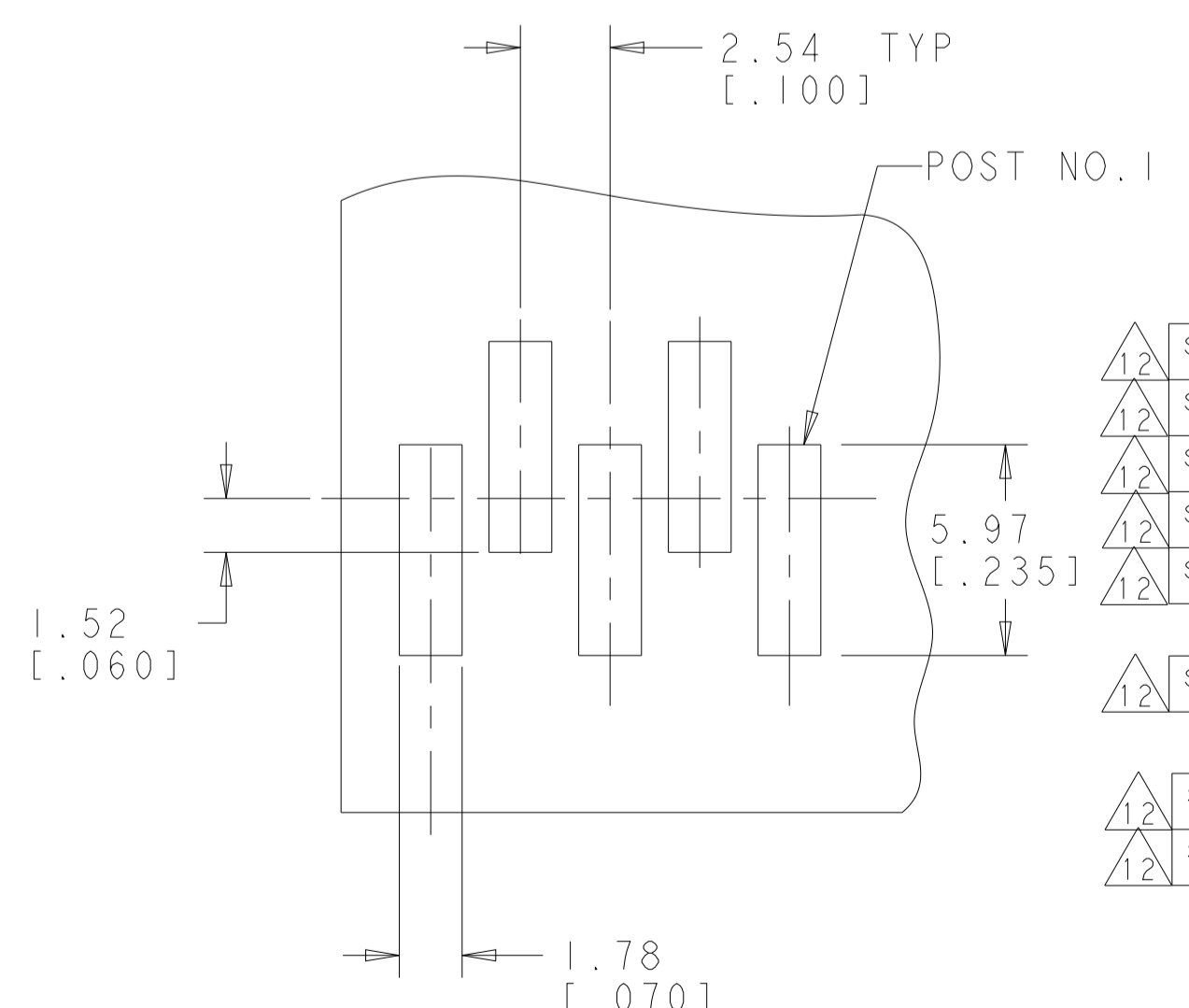
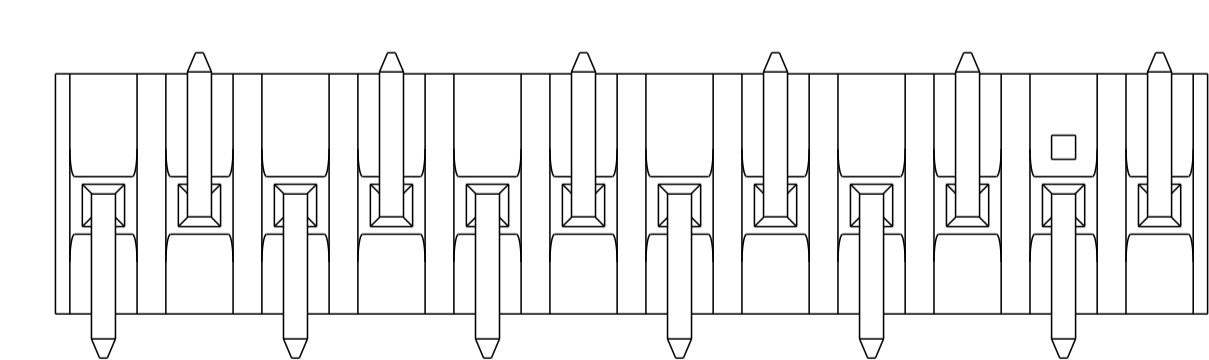
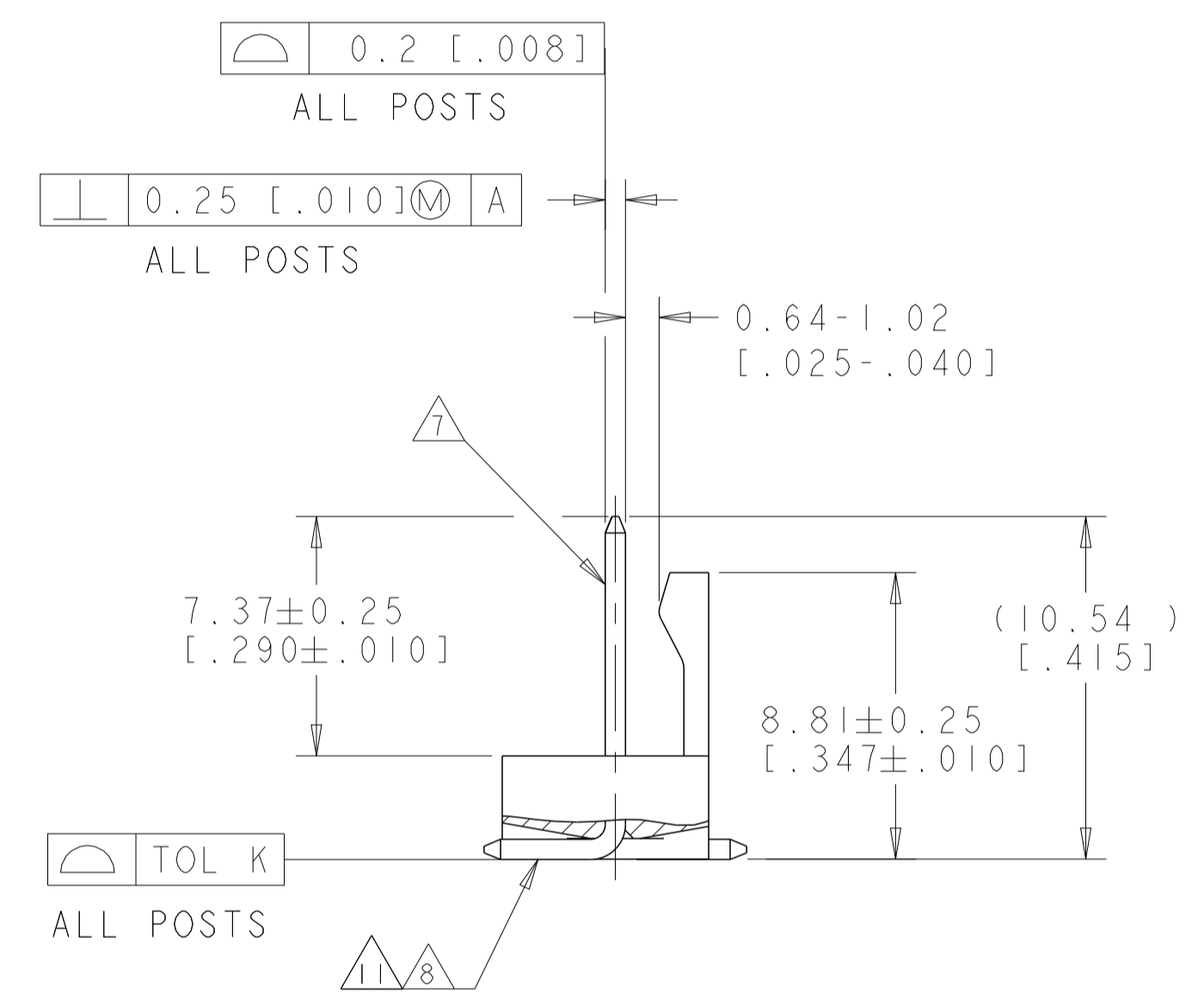
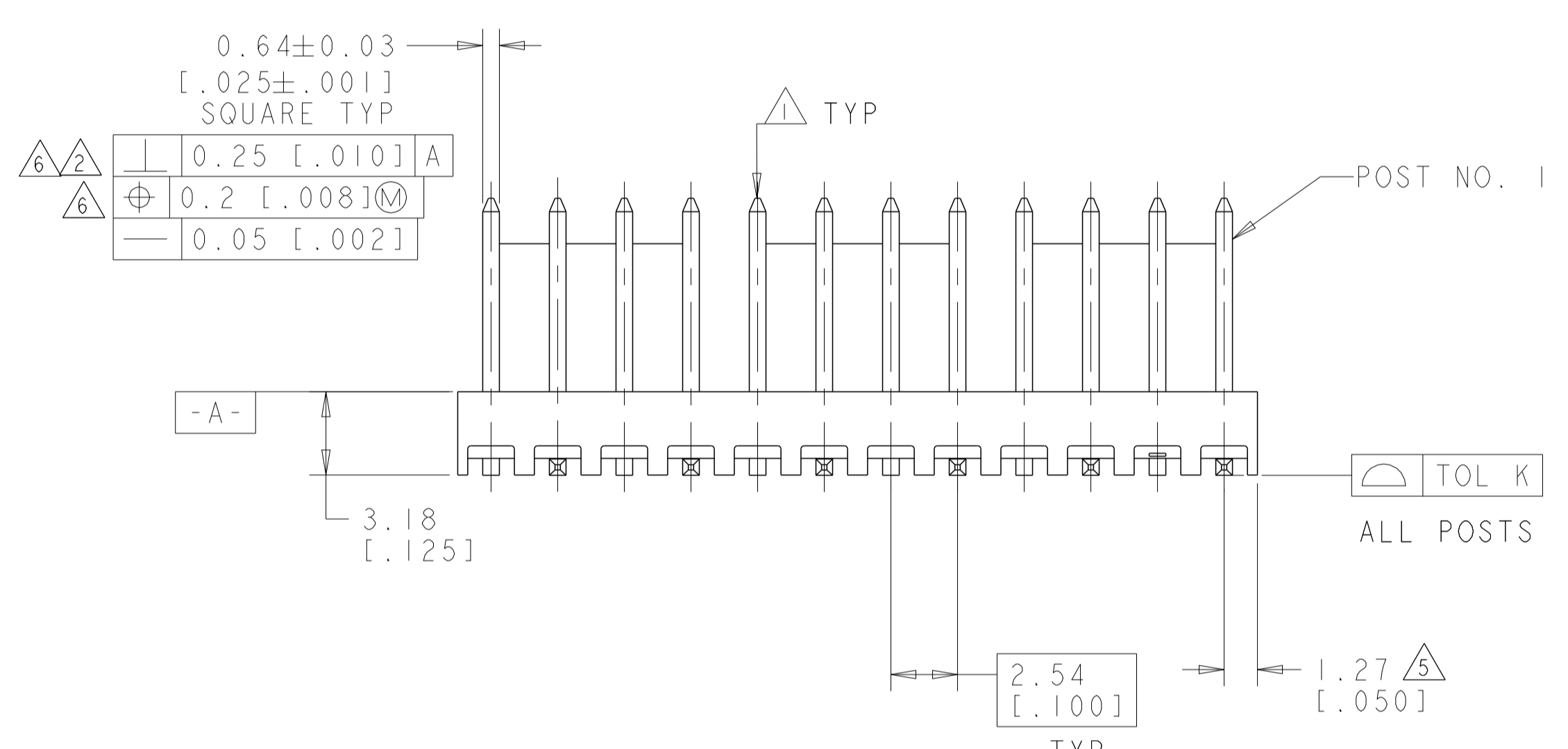


LOC	DIST	REVISIONS			
CM	00	REV	DATE	BY	APPV
		R1	REVISED PER ECR-15-007038	05NOV2015	NK PQ



- △ POST WITHSTAND 13 NEWTONS (3 LBS) MIN AXIAL FORCE IN DIRECTION SHOWN WITHOUT DISLODGING.
- △ MEASURED AT -A-.
- 3. PARTS COMPLY WITH SOLDERABILITY SPEC 109-11-2.
- △ MATERIAL:  
HOUSING: NYLON, 4/6, HIGH TEMP, BLACK.  
POST - COPPER ALLOY (SEE TABLE FOR PLATING).
- △ COORDINATE DIMENSION APPLIES FROM CENTER OF ACTUAL FEATURE.
- △ POSTS TO BE MEASURED WHEN STRIP HELD FLAT.
- △ PLATING: GOLD PLATE AREA, 0.00038 [0.00015] GOLD OR 0.00008 [0.00003] MIN GOLD FLASH OVER 0.00030 [0.00012] PALLADIUM NICKEL, PER TE CONNECTIVITY'S DISCRETION, ALL SIDES, OVER NICKEL UNDERPLATE, 0.00127 [0.00050] MIN, ALL SIDES AND ENTIRE LENGTH OF POST.
- △ MATTE TIN PLATE AREA, 0.00381-0.00889 [0.000150-.000350] THICK, ALL FOUR SIDES, 3.56 [0.140] MIN.
- 9. DIMENSIONS IN BRACKETS ARE IN INCHES.
- △ TE LOGO, UL, AND CSA TRADEMARKS TO APPEAR ON THIS SURFACE.
- △ MATTE TIN PLATE AREA, 0.00381-0.00889 [0.000150-.000350] THICK, ALL FOUR SIDES, 3.56 [0.140] MIN.
- △ OBSOLETE PARTS: OBSOLETE CIS STREAMLINING PER D.RENAUD/D.SINISI



REV	DESCRIPTION
12	OBSOLETE
12	SUP 4-647167-1
12	SUP 4-647167-0
12	SUP 3-647167-9
12	SUP 3-647167-8
12	SUP 3-647167-7
12	OBSOLETE
12	SUP 3-647167-5
12	OBSOLETE
12	SUP 3-647167-3
12	SUP 3-647167-2

POST FINISH	TOL K	W	G	L	NO OF POSN	PART NO	
△△		0.15 [0.006]	7.62 [0.300]	12.70 [0.500]	30.48 [1.200]	12	4-647167-2
△△		0.15 [0.006]	-	10.16 [0.400]	27.94 [1.100]	11	4-647167-1
△△		0.15 [0.006]	-	7.62 [0.300]	25.40 [1.000]	10	4-647167-0
△△		0.15 [0.006]	-	5.08 [0.200]	22.86 [0.900]	9	3-647167-9
△△		0.15 [0.006]	-	2.54 [0.100]	20.32 [0.800]	8	3-647167-8
△△		0.15 [0.006]	-	-	17.78 [0.700]	7	3-647167-7
△△		0.15 [0.006]	-	-	15.24 [0.600]	6	3-647167-6
△△		0.15 [0.006]	-	-	12.70 [0.500]	5	3-647167-5
△△		0.15 [0.006]	-	-	10.16 [0.400]	4	3-647167-4
△△		0.15 [0.006]	-	-	7.62 [0.300]	3	3-647167-3
△△		0.15 [0.006]	-	-	5.08 [0.200]	2	3-647167-2
△△		0.15 [0.006]	7.62 [0.300]	12.70 [0.500]	30.48 [1.200]	12	4-647167-2
△△		0.15 [0.006]	-	10.16 [0.400]	27.94 [1.100]	11	4-647167-1
△△		0.15 [0.006]	-	7.62 [0.300]	25.40 [1.000]	10	4-647167-0
△△		0.15 [0.006]	-	5.08 [0.200]	22.86 [0.900]	9	647167-9
△△		0.15 [0.006]	-	2.54 [0.100]	20.32 [0.800]	8	647167-8
△△		0.15 [0.006]	-	-	17.78 [0.700]	7	647167-7
△△		0.15 [0.006]	-	-	15.24 [0.600]	6	647167-6
△△		0.15 [0.006]	-	-	12.70 [0.500]	5	647167-5
△△		0.15 [0.006]	-	-	10.16 [0.400]	4	647167-4
△△		0.15 [0.006]	-	-	7.62 [0.300]	3	647167-3
△△		0.15 [0.006]	-	-	5.08 [0.200]	2	647167-2

RECOMMENDED MOUNTING HOLE PATTERN FOR USE WITH 0.25 [0.010] THICK STENCIL

THIS DRAWING IS A CONTROLLED DOCUMENT. DWN R. WHITAKER 4-NOV-2001  
CHK D. BOSSI 14-NOV-2001

DIMENSIONS: mm [INCHES] TOLERANCES UNLESS OTHERWISE SPECIFIED:  
0 PLC ±  
1 PLC ±0.131 [0.005]  
2 PLC ±  
3 PLC ±  
4 PLC ±  
ANGLES ±30°

MATERIAL: △△ FINISH: △△

APVD D. BOSSI 14-NOV-2001  
PRODUCT SPEC  
APPLICATION SPEC  
WEIGHT  
CUSTOMER DRAWING

NAME MTA-100 HEADER ASSEMBLY, SURFACE MOUNT, FRICTION LOCK, .025 SQUARE STRAIGHT POST, .000015 GOLD  
SIZE CAGE CODE DRAWING NO RESTRICTED TO  
A100779C=647167  
SCALE 5:1 SHEET 1 OF 1 REV I

TE Connectivity

# Mouser Electronics

Authorized Distributor

Click to View Pricing, Inventory, Delivery & Lifecycle Information:

[TE Connectivity:](#)

[3-647167-4](#)