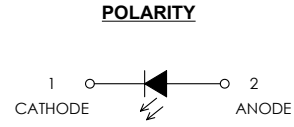
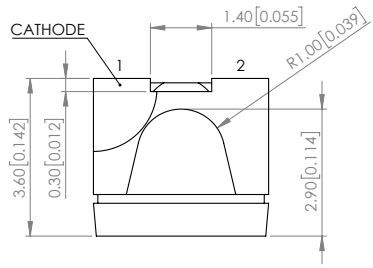
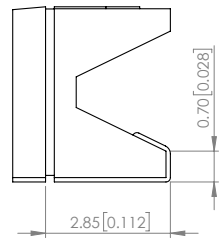
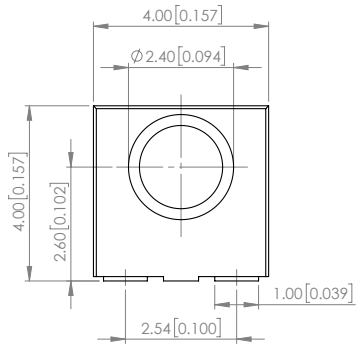


<b>PART NUMBER</b>		SML-LXR44GC-TR	<b>REV</b>	B
<b>REV</b>	<b>E.C.N. NUMBER AND REVISION COMMENTS</b>		<b>DATE</b>	
A	E.C.N. #10849.		04.01.02	
B	ECN-Lumex201700094		10.24.17	

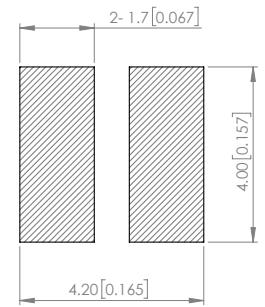


**ELECTRO-OPTICAL CHARACTERISTIC TA=25°C**

PARAMETER	MIN	TYP	MAX	UNITS	TEST COND
PEAK WAVELENGTH	-	565	-	nm	If=20mA
FORWARD VOLTAGE	-	2.2	2.5	Vf	If=20mA
REVERSE VOLTAGE	-	-	10	uA	VR=5V
LUMINOUS INTENSITY	-	30	-	mcd	If=20mA
VIEWING ANGLE	-	120	-	2x theta 1/2	-
EMITTED COLOR	GREEN				
EPOXY LENS FINISH	WATER CLEAR				



**RECOMMENDED SOLDER PAD LAYOUT**



**ABSOLUTE MAXIMUM RATINGS TA=25°C**

PARAMETER	MAX	UNITS
PEAK FORWARD CURRENT*	140	mA
FORWARD CURRENT	25	mA
REVERSE VOLTAGE	5	V
POWER DISSIPATION	62.5	mW
STORAGE TEMPERATURE	-40 TO +85	°C
OPERATING TEMPERATURE	-40 TO +85	°C
SOLDERING TEMPERATURE**	3 SEC. MAX @ 260	°C

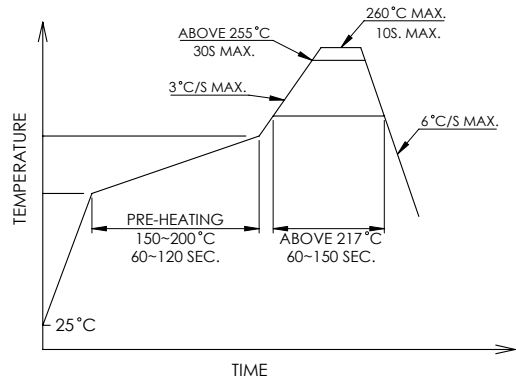
\*t<10us  
\*\*2.0mm FROM BODY.

**NOTE:**  
1. RoHS COMPLIANT.  
2. PACKAGE : 500 PCS / REEL

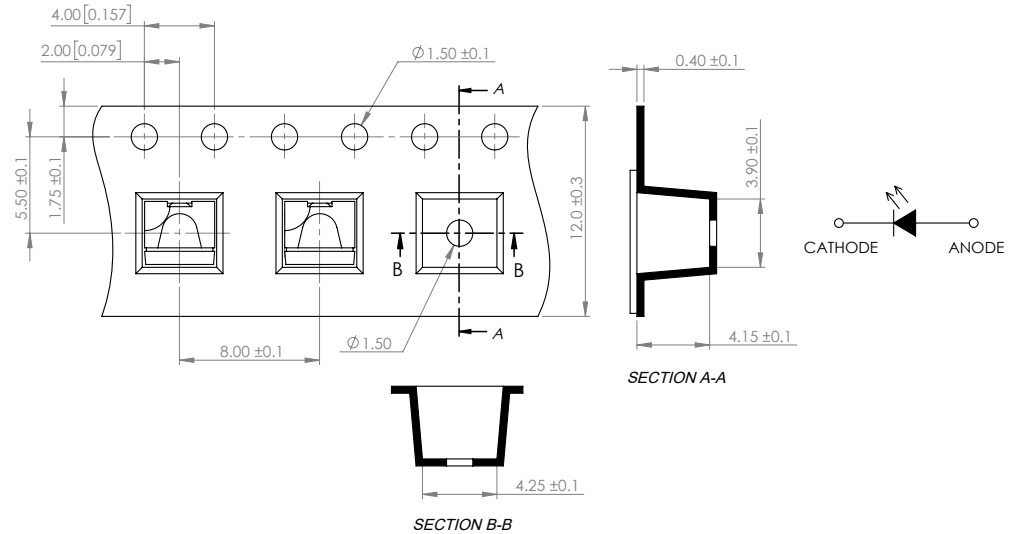
**MOISTURE SENSITIVE DEVICE  
PER JEDEC LEVEL 4 STANDARDS**

\*UNLESS OTHERWISE SPECIFIED TOLERANCES PER DECIMAL PRECISION ARE: X=±1 (±0.039), X.X=±0.5 (±0.020), X.XX=±0.25 (±0.010), X.XXX=±0.127 (±0.005). LEAD SIZE=±0.05 (±0.002), LEAD LENGTH=±0.75 (±0.030), MIN.=<sup>0.00</sup>DECIMAL PRECISION, MAX.=<sup>0.00</sup>DECIMAL PRECISION

PROFILE



CARRIER TAPE DIMENSION



\*UNLESS OTHERWISE SPECIFIED TOLERANCES PER DECIMAL PRECISION ARE: X=±1 (±0.039), X.X=±0.5 (±0.020), X.XX=±0.25 (±0.010), X.XXX=±0.127 (±0.005). LEAD SIZE=±0.05 (±0.002), LEAD LENGTH=±0.75 (±0.030), MIN=<sup>DECIMAL PRECISION</sup><sub>0.00</sub> MAX.=<sup>DECIMAL PRECISION</sup><sub>0.00</sub>



425 N. GARY AVE.  
CAROL STREAM, IL 60188  
PHONE : 800-278-5666  
FAX : 630-315-2150  
WEB : WWW.LUMEX.COM

4(L)\*4(W)\*3.6(H)mm, RIGHT ANGLE BOOMERANG SURFACE MOUNT LED, 565nm GREEN LED, WATER CLEAR LENS.

\*\*THE SPECIFICATIONS MAY CHANGE AT ANY TIME WITHOUT NOTICE DUE TO NEW MATERIALS OR PRODUCT IMPROVEMENT.\*\*

CONFIDENTIAL INFORMATION

THE INFORMATION CONTAINED IN THIS DOCUMENT IS THE PROPERTY OF LUMEX INC. EXCEPT AS SPECIFICALLY AUTHORIZED IN WRITING BY LUMEX INC., THE HOLDER OF THIS DOCUMENT SHALL KEEP ALL INFORMATION CONTAINED HEREIN CONFIDENTIAL AND SHALL PROTECT SAME IN WHOLE OR IN PART FROM DISCLOSURE AND DISSEMINATION TO ALL THIRD PARTIES.

DATE : 2017.10.24	DRAWN BY : C.C.
PAGE : 2 OF 2	CHKD BY : G.Y.
SCALE : NTF	APRVD BY : E.C.
UNIT : mm [INCH]	Ⓢ

# Mouser Electronics

Authorized Distributor

Click to View Pricing, Inventory, Delivery & Lifecycle Information:

Lumex:

[SML-LXR44GC-TR](#)