

W2G115 Series

Tubeaxial

127x127x38mm



- DC fans with electronically commutated external rotor motor. Fully integrated commutation electronics.

- With electronic protection against reverse polarity and locked-rotor.

- Mounting from either face using four 4.7 mm holes.

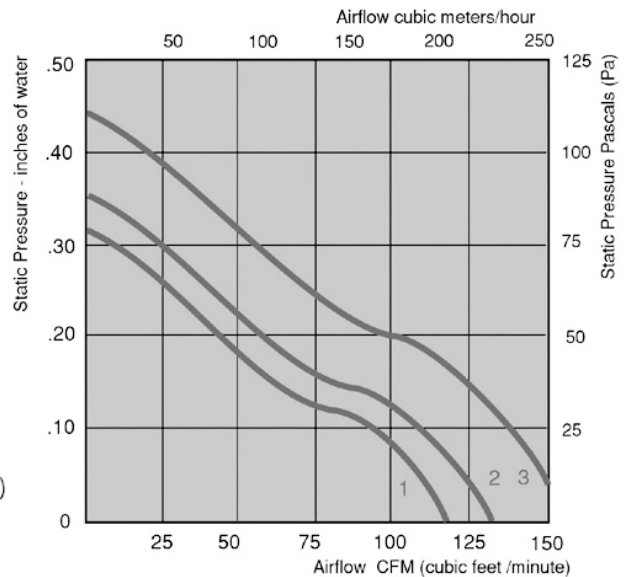
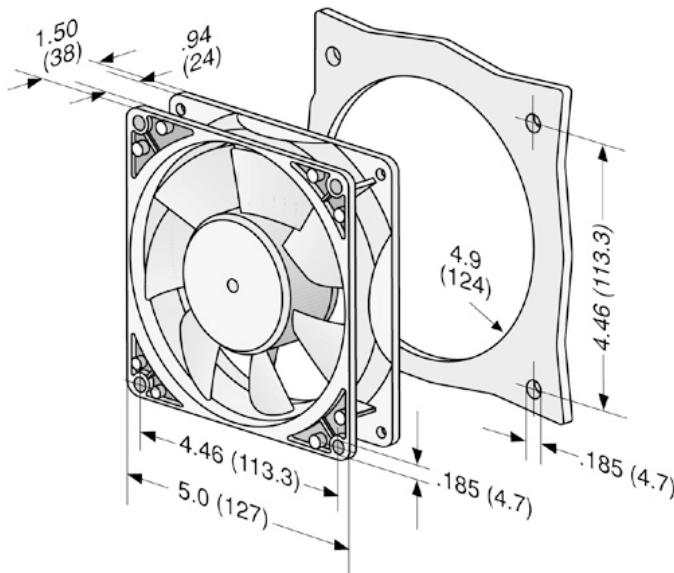
- Die-cast aluminum housing. Impeller of sheet-steel, directly welded onto rotor and stove-enameled.

- Air exhaust over struts. Rotational direction CCW looking at rotor.

- Electrical connection via 2 flat pins 2.8 x 0.8 mm.

- UL, CSA, VDE approvals on some models, please contact application engineering.

| Part Number | CFM @ 0 | Curve | Volts | Voltage Range | Power (W) | dBA | Max Ambient Temp C | Wgt. (lbs) | Type Of Bearing | Features |
|----------------|---------|-------|-------|---------------|-----------|-----|--------------------|------------|-----------------|-----------|
| W2G115-AD15-01 | 118 | 1 | 12 | 8 to 16 | 4.5 | 44 | 72 | 1.31 | Ball | Leads |
| W2G115-AD15-13 | 118 | 1 | 12 | 8 to 16 | 4.5 | 44 | 72 | 1.31 | Ball | Terminals |
| W2G115-AE53-01 | 130 | 2 | 12 | 8 to 16 | 5.9 | 48 | 72 | 1.56 | Ball | Leads |
| W2G115-AE53-13 | 130 | 2 | 12 | 8 to 16 | 5.9 | 48 | 72 | 1.56 | Ball | Terminals |
| W2G115-AD17-01 | 118 | 1 | 24 | 18 to 30 | 4.7 | 44 | 72 | 1.31 | Ball | Leads |
| W2G115-AD17-13 | 118 | 1 | 24 | 18 to 30 | 4.7 | 44 | 72 | 1.31 | Ball | Leads |
| W2G115-AE31-01 | 130 | 2 | 24 | 18 to 30 | 5.7 | 48 | 72 | 1.56 | Ball | Leads |
| W2G115-AE31-13 | 130 | 2 | 24 | 18 to 30 | 5.7 | 48 | 72 | 1.56 | Ball | Terminals |
| W2G115-AG71-01 | 160 | 3 | 24 | 16 to 28 | 12.0 | 52 | 72 | 1.56 | Ball | Leads |
| W2G115-AG71-12 | 160 | 3 | 24 | 16 to 28 | 12.0 | 52 | 72 | 1.56 | Ball | Terminals |
| W2G115-AD19-01 | 118 | 1 | 48 | 36 to 56 | 4.6 | 44 | 72 | 1.31 | Ball | Leads |



Mouser Electronics

Authorized Distributor

Click to View Pricing, Inventory, Delivery & Lifecycle Information:

[ebm-papst:](#)

[W2G115-AG71-12](#)