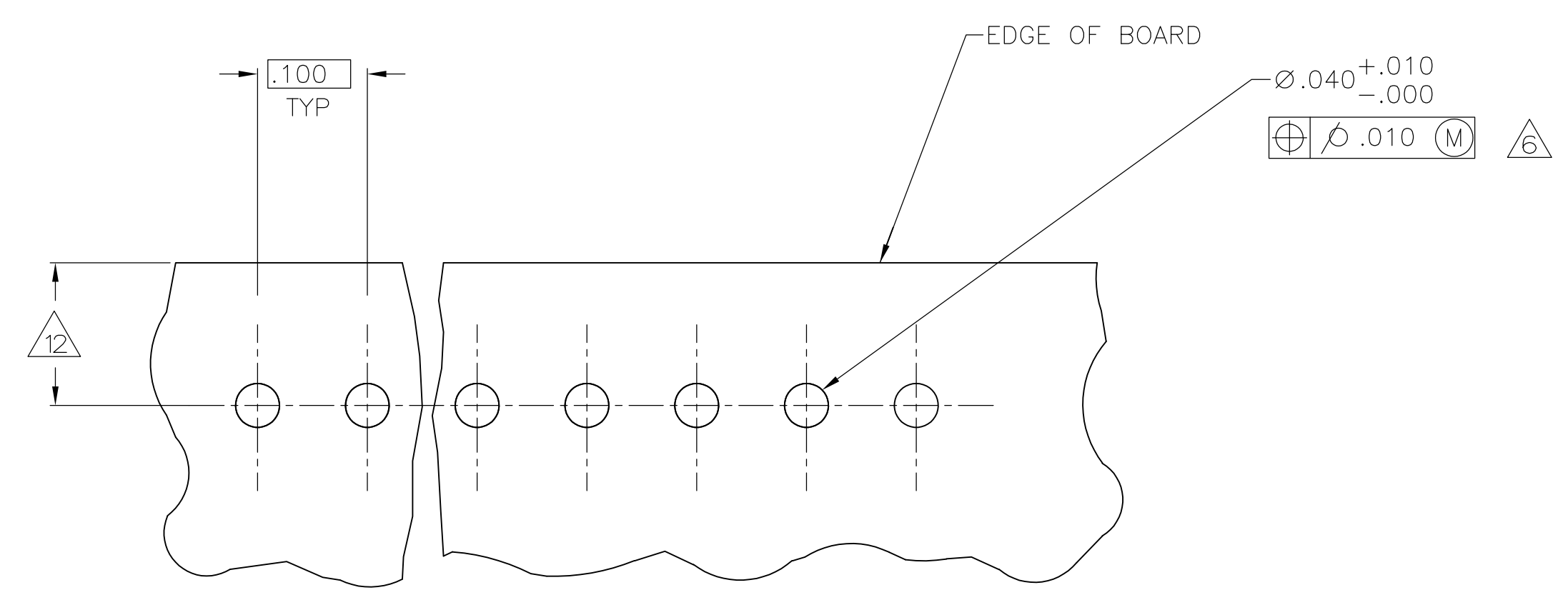
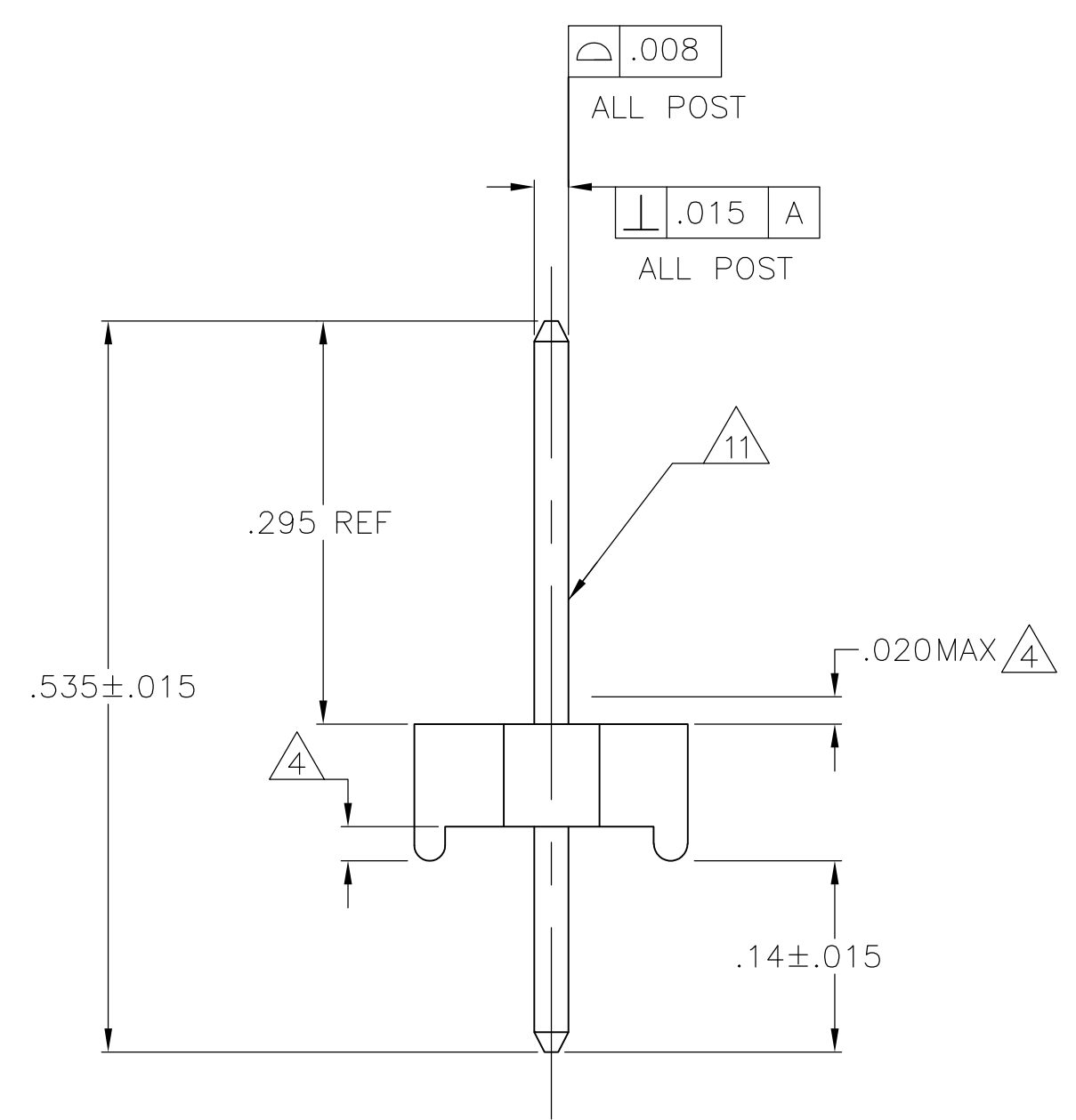
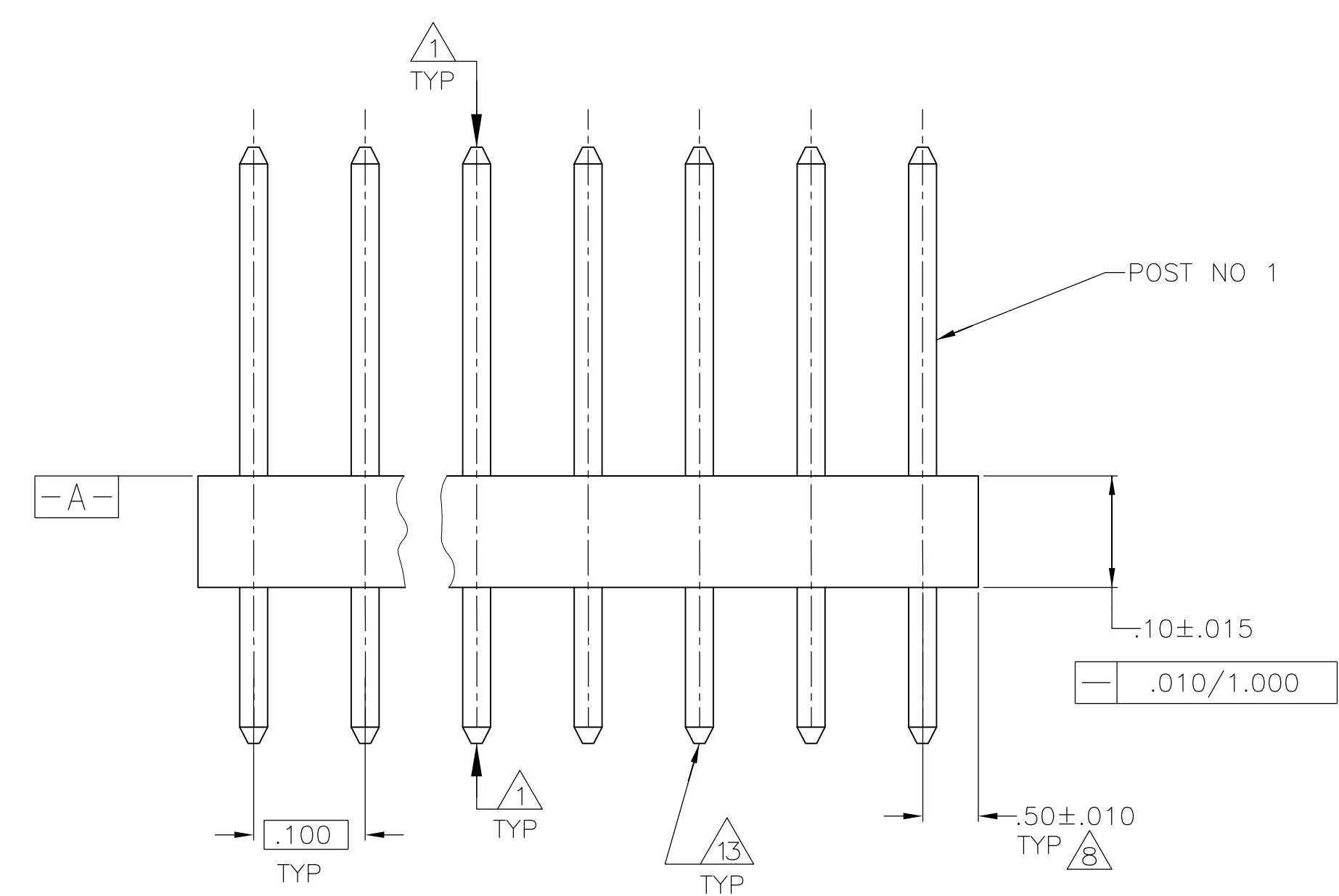
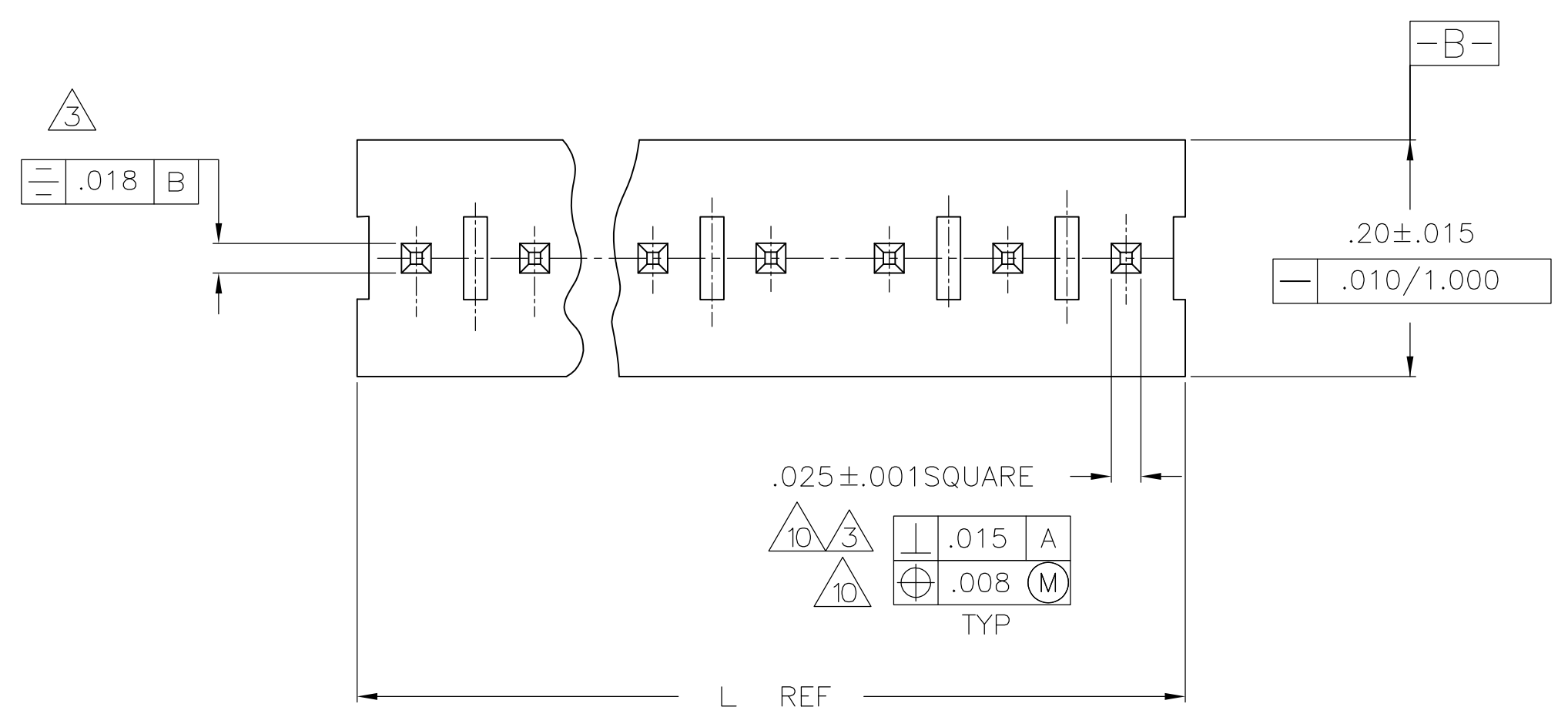


REVISIONS				
P	LTR	DESCRIPTION	DATE	APPV
Z3	REVISED PER	ECR-15-014064	03MAR2016	NK NL



RECOMMENDED MOUNTING HOLE PATTERN FOR .063 THICK P.C. BOARD

- 1 POST TO WITHSTAND 13 NEWTONS (3LBS.) MIN. AXIAL FORCE IN BOTH DIRECTIONS SHOWN WITHOUT DISLODGING.
- 2 TOLERANCES APPLY TO SOLDER SIDE OF BOARD.
- 3 MEASURED AT SURFACE
- 4 PLASTIC FLASH PERMITTED IN THIS AREA.
- 5 PARTS COMPLY WITH AMP SOLDERABILITY SPEC. NO. 109-11-2.
- 6 ONE HOLE MAY BE UNDERSIZED (.035/.032 DIA.) FOR ASSEMBLY RETENTION DURING WAVE SOLDERING.
- 7 MATERIAL: HEADER-THERMOPLASTIC POLYESTER 94V-0(NATURAL) POST-COPPER ALLOY (TIN PLATED)
- 8 COORDINATE DIMENSION APPLIES FROM CENTER OF ACTUAL FEATURE.
- 9 PLASTIC BURRS CAUSED BY CUT-OFF TOOLING ARE PERMITTED WITHIN THE MAXIMUM TOLERANCE ENVELOPE.
- 10 POST TO BE MEASURED WHEN STRIP IS HELD FLAT.
- 11 POST MUST WITHSTAND TWO 90° BENDS AGAINST EXTRUSION WITHOUT BREAKING.
- 12 DIMENSION SHOULD BE .120 MIN. WHEN MATING WITH A MTA 100 CONNECTOR ASSEMBLY OR A CST 100 CONNECTOR.
- 13 PIN BURR OF .005 MAX. VERTICAL AND .003 MAX. HORIZONTAL PERMITTED AT POST TIPS ON BOTH ENDS.

IN	MM	IN	MM
.032	0.81	1.000	25.40
.025	0.64	.535	13.59
.020	0.51	.295	7.4A9
.018	0.46	.200	5.08
.015	0.38	.140	3.56
.010	0.25	.120	3.05
.008	0.20	.100	2.54
.005	0.13	.063	1.60
.003	0.08	.050	1.27
.001	0.03	.040	1.02
.000	0.00	.035	0.89
IN	MM	IN	MM

CONVERSION TABLE

IN	MM	NUMBER OF POSITIONS	PART NUMBER
2.800	71.12	28	2-640452-8
2.700	68.58	27	2-640452-7
2.600	66.04	26	2-640452-6
2.500	63.50	25	2-640452-5
2.400	60.96	24	2-640452-4
2.300	58.42	23	2-640452-3
2.200	55.88	22	2-640452-2
2.100	53.34	21	2-640452-1
2.000	50.80	20	2-640452-0
1.900	48.26	19	1-640452-9
1.800	45.72	18	1-640452-8
1.700	43.18	17	1-640452-7
1.600	40.64	16	1-640452-6
1.500	38.10	15	1-640452-5
1.400	35.56	14	1-640452-4
1.300	33.02	13	1-640452-3
1.200	30.48	12	1-640452-2
1.100	27.94	11	1-640452-1
1.000	25.40	10	1-640452-0
.900	22.86	9	640452-9
.800	20.32	8	640452-8
.700	17.78	7	640452-7
.600	15.24	6	640452-6
.500	12.70	5	640452-5
.400	10.16	4	640452-4
.300	7.62	3	640452-3
.200	5.08	2	640452-2

THIS DRAWING IS A CONTROLLED DOCUMENT.

APPROVED BY: D. ROSSI, DATE: 11JUN04

DESIGNED BY: K. WHITAKER, DATE: 11JUN04

TE Connectivity

MTA-100 HEADER ASSEMBLY, PLAIN, .025 SQUARE STRAIGHT POST, TIN PLATED

SIZE: A1, CASE CODE: 00779, DRAWING NO: 640452

SCALE: 8:1, SHEET: 1 OF 1, REV: Z3

# Mouser Electronics

Authorized Distributor

Click to View Pricing, Inventory, Delivery & Lifecycle Information:

[TE Connectivity:](#)

[1-640452-4](#)