

# DUAL 1 TO 8 BUFFALO™ CLOCK DRIVER

MK74CB218B

## Description

The MK74CB218B Buffalo™ is a monolithic CMOS high speed clock driver. It consists of two identical single input to eight low-skew output, non-inverting clock drivers. This eliminates concerns of part to part matching in many systems. The MK74CB218B is packaged in the tiny 28-pin SSOP, which uses the same board space as the narrow 16-pin SOIC. The inputs can be connected together for a 1 to 16 fanout buffer.

A quad 1 to 4, and PECL versions, are also available. Consult IDT for more details.

The MK74CB218B can also act as a voltage translator, since it is possible to run the inputs at 3.3 V and the outputs at 2.5 V.

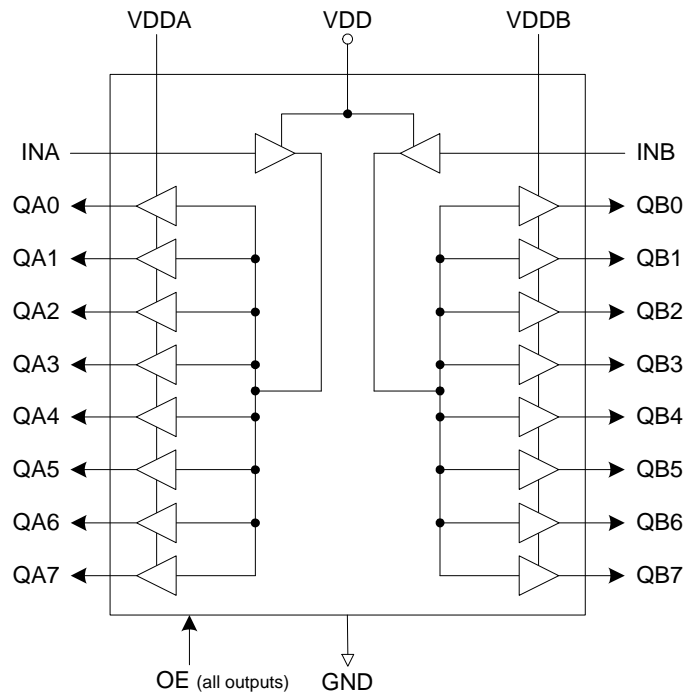
## Features

- Packaged as 28-pin SSOP (150 mil body)
- Pb (lead) free package, RoHS compliant
- Dual one input to eight output clock drivers
- Outputs are skew matched to within 250 ps
- A outputs and B outputs matched to 250 ps
- 2.5 V or 3.3 V output voltages
- Output Enable tri-states each bank of eight
- Clock speeds up to 200 MHz

## Family of IDT Parts

The MK74CB218B Buffalo™ is designed to be used with IDT's clock synthesizer devices. The inputs of the Buffalo are matched to the outputs of IDT clock synthesizers. Consult IDT for applications support.

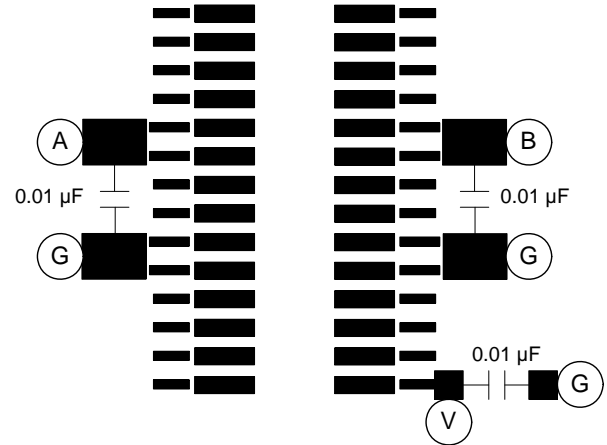
## Block Diagram



## Pin Assignment

|      |   |    |    |   |      |
|------|---|----|----|---|------|
| INA  | □ | 1  | 28 | □ | INB  |
| QA0  | □ | 2  | 27 | □ | QB0  |
| QA1  | □ | 3  | 26 | □ | QB1  |
| QA2  | □ | 4  | 25 | □ | QB2  |
| VDDA | □ | 5  | 24 | □ | VDDB |
| VDDA | □ | 6  | 23 | □ | VDDB |
| QA3  | □ | 7  | 22 | □ | QB3  |
| QA4  | □ | 8  | 21 | □ | QB4  |
| GND  | □ | 9  | 20 | □ | GND  |
| GND  | □ | 10 | 19 | □ | GND  |
| QA5  | □ | 11 | 18 | □ | QB5  |
| QA6  | □ | 12 | 17 | □ | QB6  |
| QA7  | □ | 13 | 16 | □ | QB7  |
| OE   | □ | 14 | 15 | □ | VDD  |

## Suggested Layout



**NOTE:** 33 ohm series termination resistors for each output are essential for operation.

For simplicity, series termination resistors are not shown for the outputs, but should be placed as close to the device as possible. It is most critical to have the 0.01  $\mu$ F decoupling capacitors closest.

(A) = connect to VDDA

(B) = connect to VDDB

(V) = connect to VDD

(G) = connect to low inductance ground plane

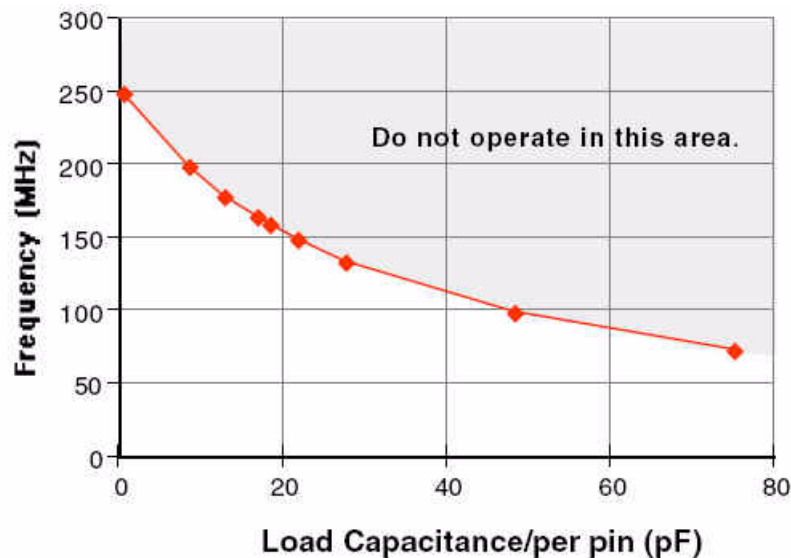
## Pin Descriptions

| Pin Number | Pin Name      | Pin Type | Pin Description  |
|------------|---------------|----------|--|
| 1          | INA           | Input    | Clock input for eight A outputs.   |
| 2, 3, 4    | QA0, QA1, QA2 | Output   | Clock A outputs.   |
| 5, 6       | VDDA          | Power    | Power supply for QA outputs. Connect to a voltage from 2.5 V to VDD. Cannot exceed VDD.      |
| 7, 8       | QA3, QA4      | Output   | Clock A outputs.   |
| 9, 10      | GND           | Power    | Connect to ground.   |
| 11, 12, 13 | QA5, QA6, QA7 | Output   | Clock A outputs.   |
| 14         | OE            | Input    | Output Enable. Tri-states all clock outputs when this input is low. Internal pull-up to VDD. |
| 15         | VDD           | Power    | Power supply for inputs.   |
| 16, 17, 18 | QB7, QB6, QB5 | Output   | Clock B outputs.   |
| 19, 20     | GND           | Power    | Connect to ground.   |
| 21, 22     | QB4, QB3      | Output   | Clock B outputs.   |
| 23, 24     | VDDB          | Power    | Power supply for QB outputs. Connect to a voltage from 2.5 V to VDD. Cannot exceed VDD.      |
| 25, 26, 27 | QB2, QB1, QB0 | Output   | Clock B outputs.   |
| 28         | INB           | Input    | Clock input for eight B outputs.   |

## Maximum Speed

The maximum speed at which the chip can operate is limited by the power dissipation in the package. Graph 1 shows the operating frequency plotted against load capacitance per pin for a die temperature of 125°C. This is at  $V_{DD} = V_{DDA} = V_{ddb} = 3.3\text{ V}$ , 70°C and with 33Ω series termination resistors. The termination resistors are essential because they allow a large proportion of the total power dissipated outside the package. Reducing or eliminating the series termination will cause an increase in die temperature. It is not recommended to operate the chip at die temperatures greater than 125°C. Also note that the load capacitance per pin must include PC board parasitics such as trace capacitance.

If not all outputs of the chip are used, it is possible to operate the chip faster with larger loads. Consult IDT for your specific requirement.



Graph 1

Maximum Speed with all VDDs at 3.3V

## Absolute Maximum Ratings

Stresses above the ratings listed below can cause permanent damage to the MK74CB218B. These ratings, which are standard values for IDT commercially rated parts, are stress ratings only. Functional operation of the device at these or any other conditions above those indicated in the operational sections of the specifications is not implied. Exposure to absolute maximum rating conditions for extended periods can affect product reliability. Electrical parameters are guaranteed only over the recommended operating temperature range.

| Item                                       | Rating                     |
|--|----------------------------|
| Supply Voltage, VDD (referenced to GND)    | 5.2 V                      |
| All Inputs and Outputs (referenced to GND) | -0.5 V to VDD+0.5 V        |
| Ambient Operating Temperature              | 0 to +70°C                 |
| Storage Temperature                        | -65°C to 150°C             |
| Soldering Temperature                      | 260°C (max. of 20 seconds) |

## DC Electrical Characteristics

Unless stated otherwise, VDD = 3.3 V ±10%

| Parameter                | Symbol          | Conditions                                   | Min.    | Typ. | Max.    | Units |
|--------------------------|-----------------|--|---------|------|---------|-------|
| Operating Voltage        | VDD             |  | 3.0     | 3.3  | 3.6     | V     |
| Operating Voltage        | VDDA or VDDB    |  | 2.375   |      | VDD     | V     |
| Operating Supply Current | IDD             | At 100 MHz, No load                          |         | 55   |         | mA    |
| Input High Voltage       | V <sub>IH</sub> | INA, INB pins                                | 0.65VDD |      |         | V     |
| Input Low Voltage        | V <sub>IL</sub> | INA, INB pins                                |         |      | 0.35VDD | V     |
| Input High Voltage       | V <sub>IH</sub> | OE pin                                       | 2.0     |      |         | V     |
| Input Low Voltage        | V <sub>IL</sub> | OE pin                                       |         |      | 0.8     | V     |
| Output High Voltage      | V <sub>OH</sub> | I <sub>OH</sub> = -12 mA                     | VDD-0.4 |      |         | V     |
| Output High Voltage      | V <sub>OH</sub> | I <sub>OH</sub> = -25 mA                     | 2.4     |      |         | V     |
| Output Low Voltage       | V <sub>OL</sub> | I <sub>OL</sub> = 25 mA                      |         |      | 0.8     | V     |
| Output High Voltage      | V <sub>OH</sub> | VDD = 2.5 V,<br>I <sub>OH</sub> = -16 mA     | 2       |      |         | V     |
| Output Low Voltage       | V <sub>OL</sub> | VDD = 2.5 V,<br>I <sub>OL</sub> = 16 mA      |         |      | 0.5     | V     |
| Output Impedance         |                 |  |         | 14   |         | Ω     |
| Short Circuit Current    |                 | Each output,<br>V <sub>OUT</sub> =GND or VDD |         | 100  |         | mA    |
| Input Capacitance        | C <sub>IN</sub> |  |         | 7    |         | pF    |
| On-chip Pull-up Resistor | R <sub>PU</sub> | OE   |         | 250  |         | kΩ    |

Note: Short circuits may be applied indefinitely, but only one output may be shorted at a time to prevent exceeding the power dissipation rating of this package.

## AC Electrical Characteristics

Unless stated otherwise,  $V_{DD} = 3.3\text{ V} \pm 10\%$

| Parameter                     | Symbol   | Conditions   | Min. | Typ. | Max. | Units |
|-------------------------------|----------|--|------|------|------|-------|
| Input Clock Frequency         | $F_{IN}$ | Note 3   | 0    |      | 200  | MHz   |
| Propagation Delay, 3.3 V      |          | With load = 15 pF  |      | 3    | 6    | ns    |
| Propagation Delay, 4.8 V      |          |  |      |      |      |       |
| Output Clock Rise Time        |          | 20% to 80%, $C_L=10\text{ pF}$                                 |      | 1    | 2    | ns    |
| Output Clock Rise Time        |          | $V_{DD} = 2.5\text{ V}$ , 20% to 80%, $C_L=10\text{ pF}$       |      | 1    | 2    | ns    |
| Output Clock Fall Time        |          | 80% to 20%, $C_L=10\text{ pF}$                                 |      | 1    | 2    | ns    |
| Output Clock Fall Time        |          | $V_{DD} = 2.5\text{ V}$ , 80% to 20%, $C_L=10\text{ pF}$       |      | 1    | 2    | ns    |
| Output Duty Cycle             |          | $V_{DD} = 3.3\text{ V}$ or $2.5\text{ V}$ , $C_L=10\text{ pF}$ | 40   | 50   | 60   | %     |
| Output Clock Rising Edge Skew |          | At $V_{DD}/2$ , Note 1   |      | 100  | 250  | ps    |
| Output Clock A to B Skew      |          | At $V_{DD}/2$ , Note 2   |      | 100  | 250  | ps    |
| Output Enable Time            |          | OE high to output on   |      |      | 20   | ns    |
| Output Disable Time           |          | OE low to tri-state  |      |      | 20   | ns    |

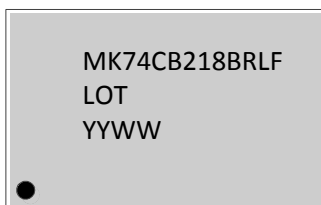
Notes:

1. Between any two A outputs, or any two B outputs, with equal loading.
2. Between any clock A output and any clock B output with INA connected to INB, and equal loading.
3. See discussion and graph of speed versus load.

## Thermal Characteristics

| Parameter                              | Symbol        | Conditions     | Min. | Typ. | Max. | Units                |
|--|---------------|----------------|------|------|------|----------------------|
| Thermal Resistance Junction to Ambient | $\theta_{JA}$ | Still air      |      | 100  |      | $^{\circ}\text{C/W}$ |
|  | $\theta_{JA}$ | 1 m/s air flow |      | 80   |      | $^{\circ}\text{C/W}$ |
|  | $\theta_{JA}$ | 3 m/s air flow |      | 67   |      | $^{\circ}\text{C/W}$ |
| Thermal Resistance Junction to Case    | $\theta_{JC}$ |                |      | 60   |      | $^{\circ}\text{C/W}$ |

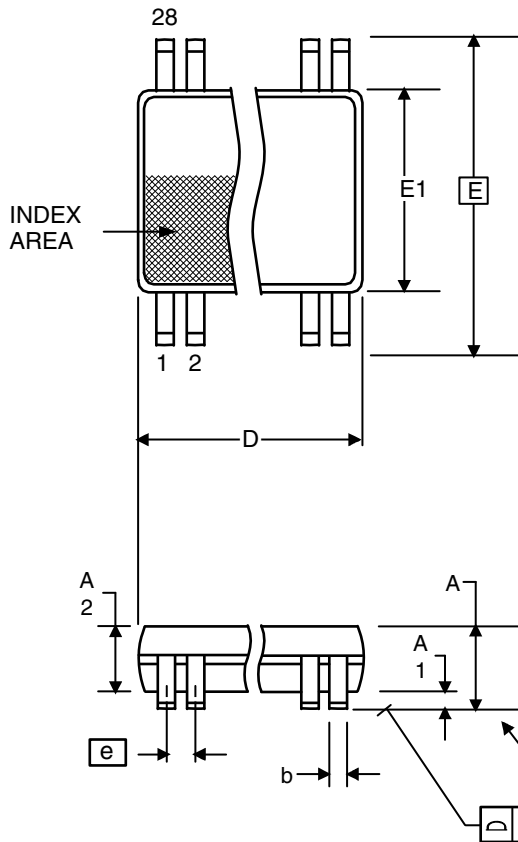
## Marking Diagram



1. "LOT" designates the lot number.
2. "YYWW" designated the date code.
3. "LF" suffix to the part number designates Pb-free.
4. "●" designates pin 1.

## Package Outline and Package Dimensions (28-pin SSOP, 150 mil Body)

Package dimensions are kept current with JEDEC Publication No. 95, MO-153



| Symbol | Millimeters |       | Inches      |       |
|--------|-------------|-------|-------------|-------|
|        | Min         | Max   | Min         | Max   |
| A      | 1.35        | 1.75  | .053        | .069  |
| A1     | 0.10        | 0.25  | .0040       | .010  |
| A2     | --          | 1.50  | --          | .059  |
| b      | 0.20        | 0.30  | .008        | .012  |
| C      | 0.18        | 0.25  | .007        | .010  |
| D      | 9.80        | 10.00 | .386        | .394  |
| E      | 5.80        | 6.20  | .228        | .244  |
| E1     | 3.80        | 4.00  | .150        | .157  |
| e      | 0.635 Basic |       | 0.025 Basic |       |
| L      | 0.40        | 1.27  | .016        | .050  |
| α      | 0°          | 8°    | 0°          | 8°    |
| aaa    | --          | 0.10  | --          | 0.004 |

## Ordering Information

| Part / Order Number | Marking       | Shipping Packaging | Package     | Temperature |
|---------------------|---------------|--------------------|-------------|-------------|
| MK74CB218BRLF       | MK74CB218BRLF | Tubes              | 28-pin SSOP | 0 to +70°C  |
| MK74CB218BRLFTR     | MK74CB218BRLF | Tape and Reel      | 28-pin SSOP | 0 to +70°C  |

“LF” suffix to the part number are the Pb-Free configuration and are RoHS compliant.

While the information presented herein has been checked for both accuracy and reliability, Integrated Device Technology (IDT) assumes no responsibility for either its use or for the infringement of any patents or other rights of third parties, which would result from its use. No other circuits, patents, or licenses are implied. This product is intended for use in normal commercial applications. Any other applications such as those requiring extended temperature range, high reliability, or other extraordinary environmental requirements are not recommended without additional processing by IDT. IDT reserves the right to change any circuitry or specifications without notice. IDT does not authorize or warrant any IDT product for use in life support devices or critical medical instruments.

## Revision History

| Rev. | Date     | Originator | Description of Change   |
|------|----------|------------|---|
| D    | 01/18/13 | S. Lou     | Updated marking information to add "F" at the end of the part number. |
|      |          |            |   |
|      |          |            |   |
|      |          |            |   |
|      |          |            |   |

**Innovate with IDT and accelerate your future networks. Contact:**

[www.IDT.com](http://www.IDT.com)

**For Sales**

800-345-7015

408-284-8200

Fax: 408-284-2775

**For Tech Support**

[www.idt.com/go/clockhelp](http://www.idt.com/go/clockhelp)

---

**Corporate Headquarters**

Integrated Device Technology, Inc.

[www.idt.com](http://www.idt.com)





# Mouser Electronics

Authorized Distributor

Click to View Pricing, Inventory, Delivery & Lifecycle Information:

[IDT \(Integrated Device Technology\):](#)

[MK74CB218BRLFTR](#) [MK74CB218BRLF](#)