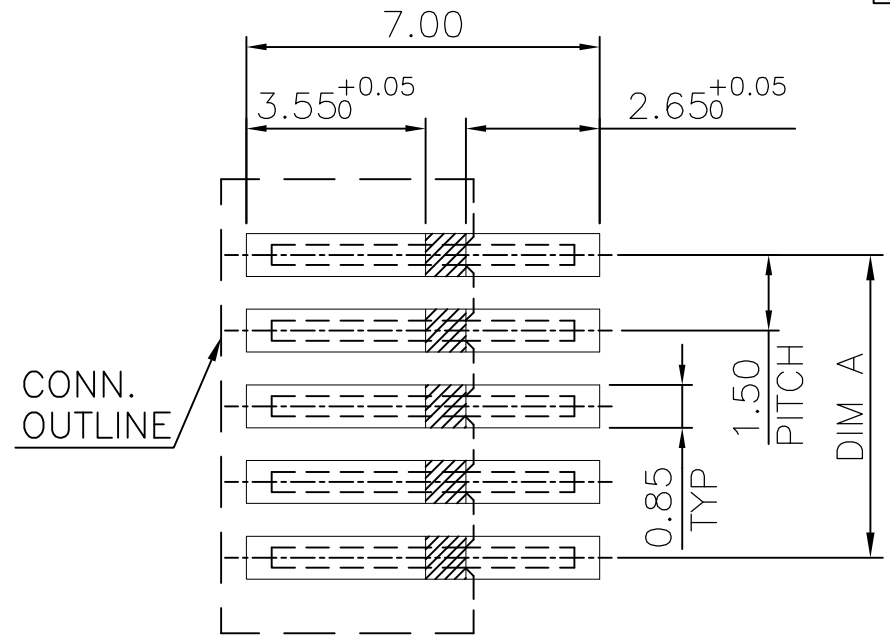
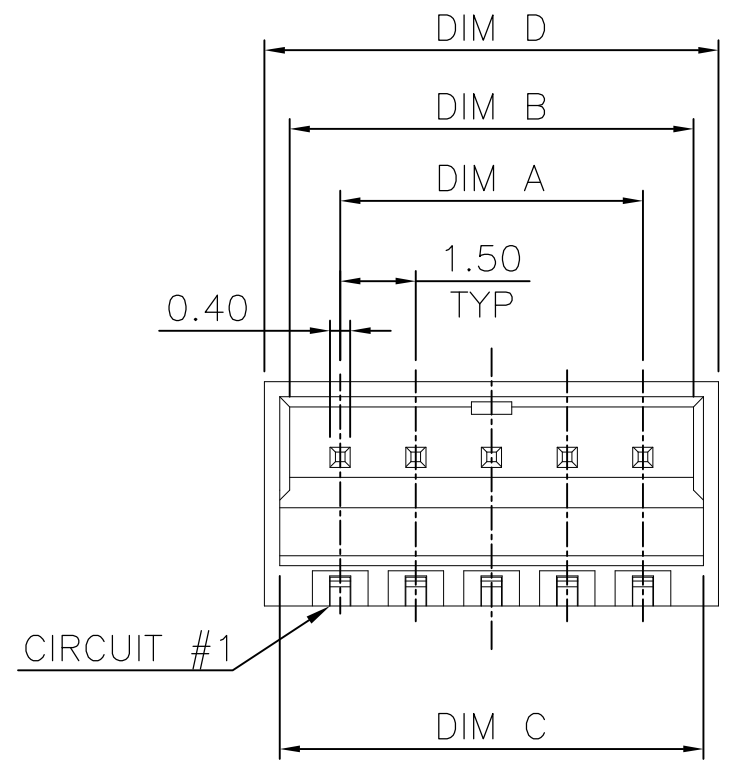


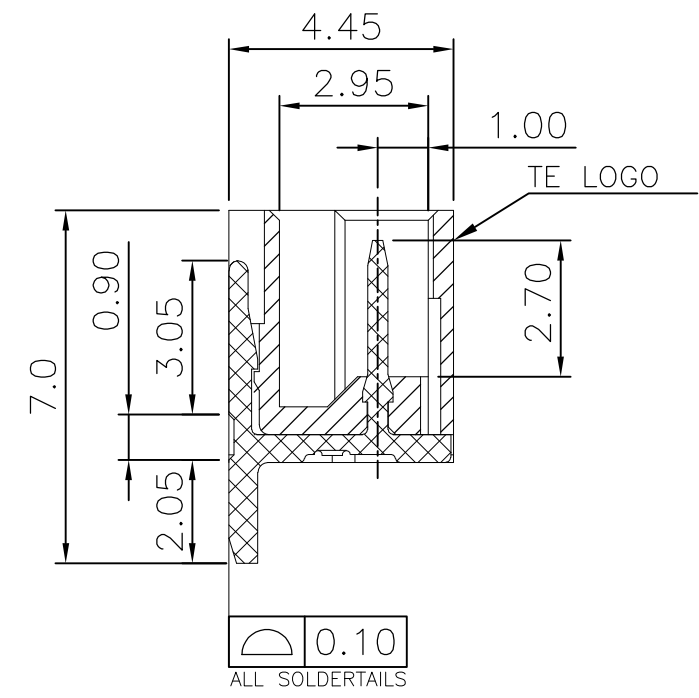
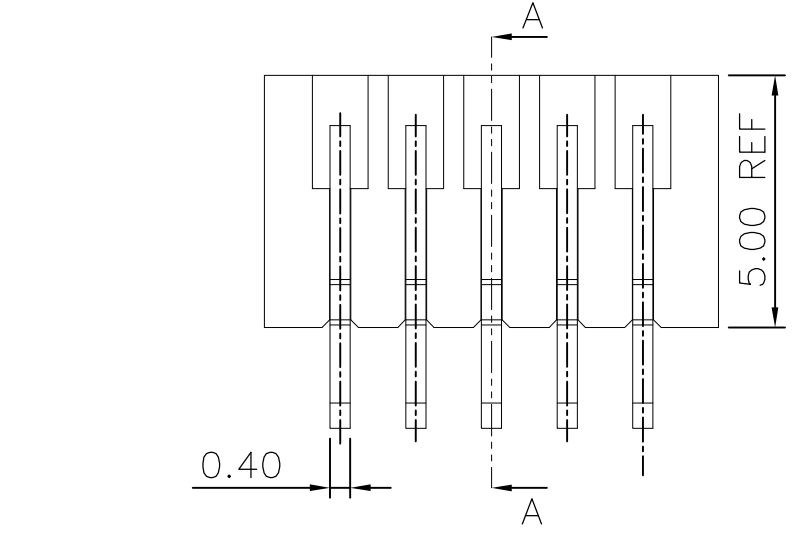
THIS DRAWING IS UNPUBLISHED. RELEASED FOR PUBLICATION  
 © COPYRIGHT - BY - ALL RIGHTS RESERVED.

| LOC | DIST | REVISIONS                 |         |     |      |  |
|-----|------|---------------------------|---------|-----|------|--|
| P   | LTR  | DESCRIPTION               | DATE    | DWN | APVD |  |
| DW  |      | REVISED PER ECO-11-005301 | 07MAR11 | RK  | HMR  |  |



WITHOUT SOLDER AREA  
 RECOMMENDED PCB LAYOUT  
 TOLERANCE: ±0.05

- NOTES:
- MATERIALS:  
 HOUSING: THERMOPLASTIC, UL94-V0, COLOR: NATURAL.  
 TERMINAL: BRASS, THICKNESS=0.4mm.
  - FINISH:  
 TERMINAL: 100μ" MIN. BRIGHT TIN PLATED OVER  
 50μ" MIN. NICKEL UNDERPLATED ALL OVER.
  - TERMINAL RETENTION FORCE: 1.0 Kgf MIN.
  - REFLOW SOLDER CAPABLE TO 260°C PER TE CONNECTIVITY SPEC 109-201, CONDITION B.



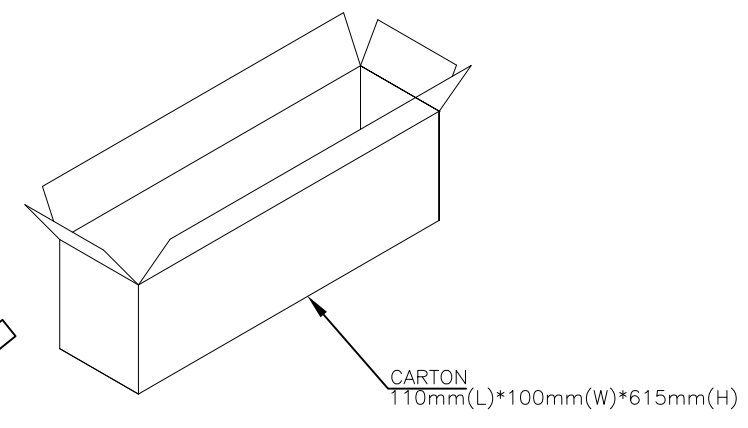
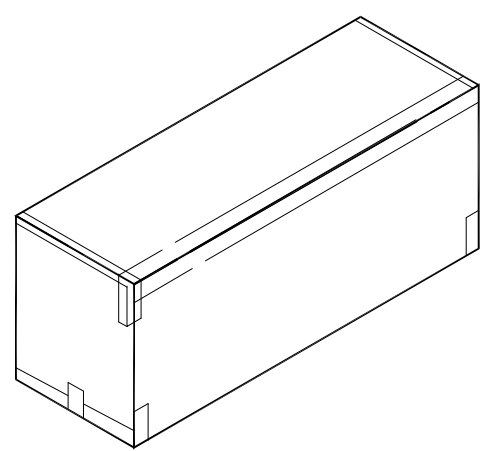
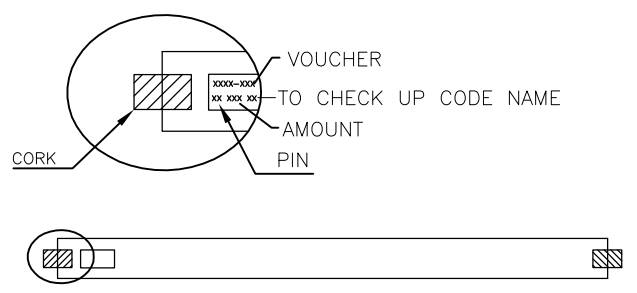
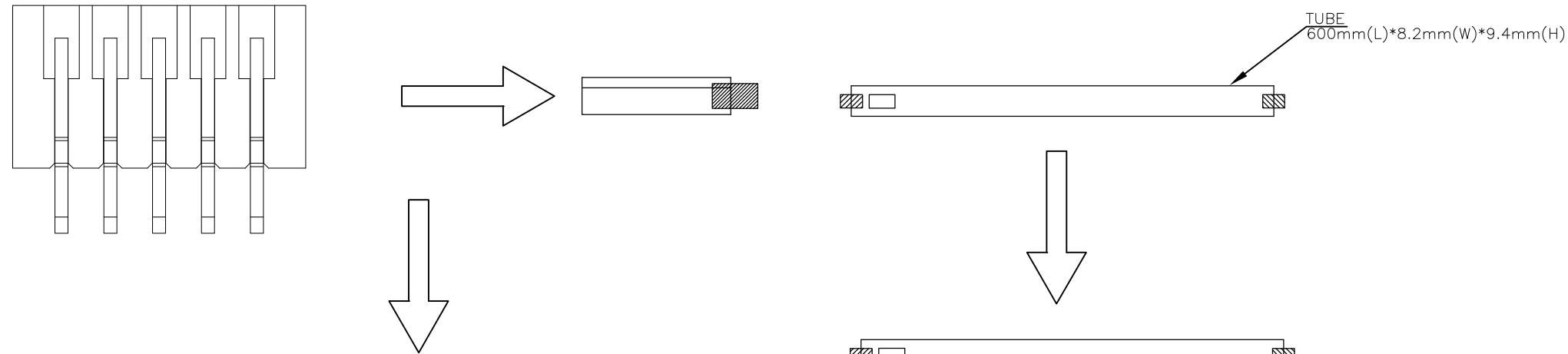
SECTION A-A

| PACKAGE | DIMENSIONS |       |       |       |       | POS.        | PART NUMBER |
|---------|------------|-------|-------|-------|-------|-------------|-------------|
|         | D          | C     | B     | A     |       |             |             |
| REEL    | 24.00      | 23.40 | 23.00 | 21.00 | 15    | 6-1775444-5 |             |
|         | 22.50      | 21.90 | 21.50 | 19.50 | 14    | 6-1775444-4 |             |
|         | 21.00      | 20.40 | 20.00 | 18.00 | 13    | 6-1775444-3 |             |
|         | 19.50      | 18.90 | 18.50 | 16.50 | 12    | 6-1775444-2 |             |
|         | 18.00      | 17.40 | 17.00 | 15.00 | 11    | 6-1775444-1 |             |
|         | 16.50      | 15.90 | 15.50 | 13.50 | 10    | 6-1775444-0 |             |
|         | 15.00      | 14.40 | 14.00 | 12.00 | 9     | 5-1775444-9 |             |
|         | 13.50      | 12.90 | 12.50 | 10.50 | 8     | 5-1775444-8 |             |
|         | 12.00      | 11.40 | 11.00 | 9.00  | 7     | 5-1775444-7 |             |
|         | 10.50      | 9.90  | 9.50  | 7.50  | 6     | 5-1775444-6 |             |
|         | 9.00       | 8.40  | 8.00  | 6.00  | 5     | 5-1775444-5 |             |
|         | 7.50       | 6.90  | 6.50  | 4.50  | 4     | 5-1775444-4 |             |
|         | 6.00       | 5.40  | 5.00  | 3.00  | 3     | 5-1775444-3 |             |
|         | 4.50       | 3.90  | 3.50  | 1.50  | 2     | 5-1775444-2 |             |
|         | TUBE       | 24.00 | 23.40 | 23.00 | 21.00 | 15          | 1-1775444-5 |
| 22.50   |            | 21.90 | 21.50 | 19.50 | 14    | 1-1775444-4 |             |
| 21.00   |            | 20.40 | 20.00 | 18.00 | 13    | 1-1775444-3 |             |
| 19.50   |            | 18.90 | 18.50 | 16.50 | 12    | 1-1775444-2 |             |
| 18.00   |            | 17.40 | 17.00 | 15.00 | 11    | 1-1775444-1 |             |
| 16.50   |            | 15.90 | 15.50 | 13.50 | 10    | 1-1775444-0 |             |
| 15.00   |            | 14.40 | 14.00 | 12.00 | 9     | 1775444-9   |             |
| 13.50   |            | 12.90 | 12.50 | 10.50 | 8     | 1775444-8   |             |
| 12.00   |            | 11.40 | 11.00 | 9.00  | 7     | 1775444-7   |             |
| 10.50   |            | 9.90  | 9.50  | 7.50  | 6     | 1775444-6   |             |
| 9.00    |            | 8.40  | 8.00  | 6.00  | 5     | 1775444-5   |             |
| 7.50    |            | 6.90  | 6.50  | 4.50  | 4     | 1775444-4   |             |
| 6.00    |            | 5.40  | 5.00  | 3.00  | 3     | 1775444-3   |             |
| 4.50    |            | 3.90  | 3.50  | 1.50  | 2     | 1775444-2   |             |

|  |  |                           |           |           |                 |           |           |            |               |
|--|--|---------------------------|-----------|-----------|-----------------|-----------|-----------|------------|---------------|
| THIS DRAWING IS A CONTROLLED DOCUMENT.   |  | DWN                       | J. LAI    | 19FEB2009 | TE Connectivity |           |           |            |               |
| DIMENSIONS: MM   |  | CHK                       | S. CHIEN  | 19FEB2009 |                 |           |           |            |               |
| TOLERANCES UNLESS OTHERWISE SPECIFIED:   |  | APVD                      | W. KODAMA | 19FEB2009 | NAME            |           |           |            |               |
| 0 PLC ± -<br>1 PLC ± 0.25<br>2 PLC ± 0.15<br>3 PLC ± 0.10<br>4 PLC ± -<br>ANGLES ± - |  | PRODUCT SPEC              |           | 108-57631 |                 |           |           |            |               |
| MATERIAL SEE NOTE  |  | QUALIFICATION TEST REPORT |           | 501-57736 |                 | SIZE      | CAGE CODE | DRAWING NO | RESTRICTED TO |
| FINISH SEE NOTE  |  | WEIGHT - GRAMS            |           | A3 00779  |                 | C=1775444 |           | -          |               |
| CUSTOMER DRAWING   |  |                           |           |           | SCALE           | SHEET     | 1 OF 3    | REV        | A3            |

THIS DRAWING IS UNPUBLISHED. RELEASED FOR PUBLICATION  
 © COPYRIGHT - BY - ALL RIGHTS RESERVED.

| LOC | DIST | REVISIONS    |      |     |      |
|-----|------|--------------|------|-----|------|
| P   | LTR  | DESCRIPTION  | DATE | DWN | APVD |
|     |      | SEE SHEET 1. | -    | -   | -    |



|     |     |       |    |             |
|-----|-----|-------|----|-------------|
| 20  | 100 | 2000  | 15 | 1-1775444-5 |
| 25  | 100 | 2500  | 14 | 1-1775444-4 |
| 25  | 100 | 2500  | 13 | 1-1775444-3 |
| 25  | 100 | 2500  | 12 | 1-1775444-2 |
| 30  | 100 | 3000  | 11 | 1-1775444-1 |
| 35  | 100 | 3500  | 10 | 1-1775444-0 |
| 35  | 100 | 3500  | 9  | 1775444-9   |
| 40  | 100 | 4000  | 8  | 1775444-8   |
| 45  | 100 | 4500  | 7  | 1775444-7   |
| 55  | 100 | 5500  | 6  | 1775444-6   |
| 60  | 100 | 6000  | 5  | 1775444-5   |
| 75  | 100 | 7500  | 4  | 1775444-4   |
| 95  | 100 | 9500  | 3  | 1775444-3   |
| 125 | 100 | 12500 | 2  | 1775444-2   |

| PCS/TUBE | TUBES/CARTON | QUANTITY (PCS) | POS. | PART NUMBER |
|----------|--------------|----------------|------|-------------|
|----------|--------------|----------------|------|-------------|

|   |  |                  |   |  |               |           |            |
|---|--|------------------|---|--|---------------|-----------|------------|
| THIS DRAWING IS A CONTROLLED DOCUMENT.  |  | DWN              | TE Connectivity<br>EMIX CONN., 1.5mm PITCH HDR, RIGHT ANGLE |  |               |           |            |
| DIMENSIONS: MM  |  | CHK              |   |  |               | NAME      |            |
| TOLERANCES UNLESS OTHERWISE SPECIFIED:<br>0 PLC ± -<br>1 PLC ± -<br>2 PLC ± -<br>3 PLC ± -<br>4 PLC ± -<br>ANGLES ± - |  | APVD             |   |  |               | SIZE      |            |
| MATERIAL  |  | PRODUCT SPEC     |   |  |               | CAGE CODE | DRAWING NO |
|   |  | APPLICATION SPEC | A3 00779  |  | RESTRICTED TO |           |            |
|   |  | WEIGHT           | C=1775444   |  |               |           |            |
|   |  | FINISH           | CUSTOMER DRAWING  |  | SCALE         |           |            |
|   |  |                  | SHEET 2 OF 3  |  | REV A3        |           |            |

4

3

2

1

THIS DRAWING IS UNPUBLISHED.

RELEASED FOR PUBLICATION

- . - .

ALL RIGHTS RESERVED.

© COPYRIGHT - BY -

LOC

DIST

REVISIONS

DW

P

LTR

DESCRIPTION

DATE

DWN

APVD

SEE SHEET 1.

D=330mm

CARTON  
335mm(L)\*335mm(W)\*480mm(H)

|      |   |      |    |             |
|------|---|------|----|-------------|
| 1000 | 4 | 4000 | 15 | 6-1775444-5 |
| 1000 | 4 | 4000 | 14 | 6-1775444-4 |
| 1000 | 4 | 4000 | 13 | 6-1775444-3 |
| 1000 | 4 | 4000 | 12 | 6-1775444-2 |
| 1000 | 4 | 4000 | 11 | 6-1775444-1 |
| 1000 | 4 | 4000 | 10 | 6-1775444-0 |
| 1000 | 6 | 6000 | 9  | 5-1775444-9 |
| 1000 | 6 | 6000 | 8  | 5-1775444-8 |
| 1000 | 6 | 6000 | 7  | 5-1775444-7 |
| 1000 | 6 | 6000 | 6  | 5-1775444-6 |
| 1000 | 6 | 6000 | 5  | 5-1775444-5 |
| 1000 | 9 | 9000 | 4  | 5-1775444-4 |
| 1000 | 9 | 9000 | 3  | 5-1775444-3 |
| 1000 | 9 | 9000 | 2  | 5-1775444-2 |

| PCS/REEL | REELS/CARTON | QUANTITY (PCS) | POS. | PART NUMBER |
|----------|--------------|----------------|------|-------------|
|----------|--------------|----------------|------|-------------|

THIS DRAWING IS A CONTROLLED DOCUMENT.

DWN

CHK

APVD

PRODUCT SPEC

APPLICATION SPEC

WEIGHT

CUSTOMER DRAWING

DIMENSIONS:

MM

TOLERANCES UNLESS OTHERWISE SPECIFIED:

|        |     |
|--------|-----|
| 0 PLC  | ± - |
| 1 PLC  | ± - |
| 2 PLC  | ± - |
| 3 PLC  | ± - |
| 4 PLC  | ± - |
| ANGLES | ± - |

FINISH

MATERIAL

NAME

EMIX CONN., 1.5mm PITCH  
HDR, RIGHT ANGLE

SIZE

CAGE CODE

DRAWING NO

RESTRICTED TO

A300779

C=1775444

SCALE

SHEET

3 OF 3

REV

A3

1470-19 (3/11)

# Mouser Electronics

Authorized Distributor

Click to View Pricing, Inventory, Delivery & Lifecycle Information:

[TE Connectivity:](#)

[6-1775444-1](#)