

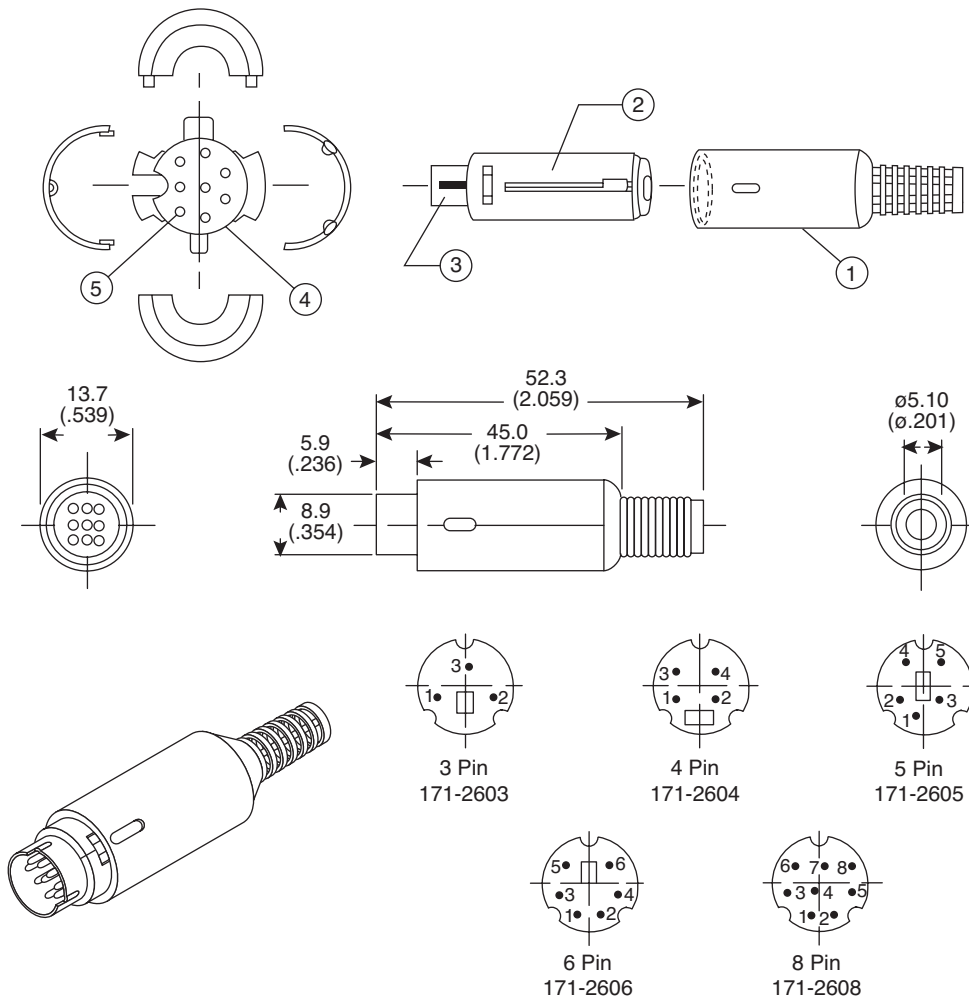
Mini-Din Plugs

171-2603, 171-2604, 171-2605,
171-2606, 171-2608



Mini-Din Plugs

171-2603, 171-2604, 171-2605, 171-2606, 171-2608



SPECIFICATIONS	
Voltage Rating:	100VAC 1A max.
Insulation Resistance:	50MΩ @ 500VDC
Dielectric:	500VAC for 1 minute
Contact Resistance:	30m Ω max.
Max. Acceptable Wire Size:	16AWG
Boot:	PVC
Housing:	ABS
Shell:	nickel plated brass
Insulator:	polycarbonate
Pins:	silver plated brass
Solder Temperature:	200°C within 1 sec.
Assembly:	yes

Dimensions: mm (in.)

ASSEMBLY SPECIFICATIONS		
1	Cover:	PVC black
2	Con:	A.B.S.
3	Shell:	bronze, nickel plated
4	Insulator:	PC (or nylon)
5	Pins:	bronze

Date Last Revised: 6/21/12

Available from Mouser Electronics
1-800-346-6873
www.mouser.com

KC-300256

Specifications are subject to change without notice. No liability or warranty implied by this information. Environmental compliance based on producer documentation.

Mouser Electronics

Authorized Distributor

Click to View Pricing, Inventory, Delivery & Lifecycle Information:

[Kobiconn:](#)

[171-2605](#) [171-2603](#) [171-2604](#) [171-2608](#) [171-2606](#)