



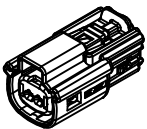
TABLE OF CONTENTS	
SHEET NO.	SHEET DESCRIPTION
1	NOTES AND BOM
2	CONFIGURATIONS
3-4	KEY CONFIGURATIONS
5	RECEPTACLE CONNECTOR ASSEMBLY
6	BACKSHELL NOTES
7	BACKSHELL
8	BACKSHELL CONFIGURATIONS

NOTES: VALID UNLESS OTHERWISE SPECIFIED

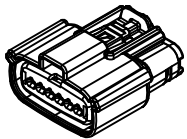
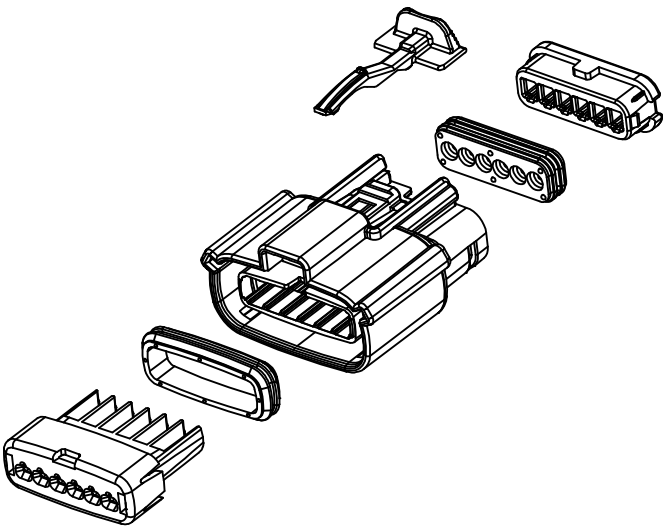
1. GENERAL:
- a. APPLICATION SPECIFICATION SEE: AS-33472-100  
 -CONTAINS: PRODUCT INTRODUCTION, PRODUCT SUMMARY, CONNECTOR ASSEMBLY, PACKAGING INFORMATION, CONNECTOR MATING, SERVICE INSTRUCTIONS, ELECTRICAL CONTINUITY CHECKING, CRIMPING, AND TROUBLESHOOTING.  
 -DESIGNED TO MATE WITH DEVICE OR CONNECTOR AS SPECIFIED IN THE MATING INTERFACE/CONNECTOR DRAWINGS CHART.  
 \*DENOTES DRAWINGS THAT CAN BE ACCESSED AT <http://ewcap.uscarteams.org/>.  
 -ASSEMBLY SHIPPED WITH PLR IN PRE-LOCK POSITION (SEE PLR PRE-LOCK VIEW SHEET 5).
- b. PRODUCT SPECIFICATION SEE:  
 -STANDARD CONFIGURATION: PS-33471-000  
 -UL V0 CONFIGURATION: PS-160105-0001  
 CONTAINS: PRODUCT INTRODUCTION, PRODUCT SUMMARY, RATINGS (CURRENT, TEMPERATURE, SEALING, AND FLAMMABILITY), TERMINALS, WIRE DIAMETER RANGE, PRODUCT VALIDATION, AND PRODUCT DEVIATIONS.
- c. PACKAGING SPECIFICATION PER MOLEX DRAWING; SEE PACKAGING CHART
- d. PARTS MUST BE IN COMPLIANCE TO MOLEX CHEMICAL SUBSTANCES FOR PRODUCTS AND PACKAGING SPECIFICATION: OEHS-699000-301
- e. DATA MUST BE SUBMITTED UNDER THE MOLEX PART NUMBER TO IMDS (COMPANY ID#13255)
2. DESIGN - MATERIALS:
- a. FOR BILL OF MATERIALS SEE:  
 -STANDARD CONFIGURATION SD-33471-0002  
 -UL V0 CONFIGURATION SD-160105-0002
3. DESIGN - GEOMETRY:
- a. THE 3-D CAD DATA IS BASIC (WITHOUT TOLERANCE) AND MASTER FOR THIS PART WITH THE EXCEPTION OF UNDERLINED DIMENSIONS. DIMENSIONAL INFORMATION NOT SHOWN ON THIS DRAWING IS DEFINED BY THE DATA FILE AT ITS LATEST REVISION.
- b. GEOMETRIC DIMENSIONS AND TOLERANCES PER ASME Y14.5M-2009
- c. EDGES AND UNDIMENSIONED DETAILS PER ISO13715
- d. CORNERS SHOWN AS SHARP TO BE R 0.2 MAX.
- e. LETTERING SHALL BE 0.15 MAX RAISED IN 0.25 MAX RECESS PAD. THIS INCLUDES RECYCLING CODE, CAVITY ID, VENDOR IDENTIFICATION, AND CUSTOMER MATERIAL NUMBER.
- f. VISUAL DEFECTS SHALL MEET COSMETIC STANDARD PS-45499-002 (Class B).
- g. LASER MARKING:  
 1. PART NUMBER  
 2. DAY OF THE YEAR  
 3. SHIFT  
 4. YEAR  
 FOR ADDITIONAL INFORMATION SEE SECTION 5 UNDER PROCEDURES IN ES-34735-008.

PACKAGING	
DESCRIPTION	DRAWING NO.
1X2	PK-31300-635
1X6	PK-31300-903

MATING INTERFACE/CONNECTOR DRAWINGS		
DESCRIPTION	INTERFACE DEFINITION	MOLEX INLINE
1X2	*150-S-002-1-Z05	SD-33481-0001
1X6	*150-S-006-1-Z03	SD-33481-0001



1x2



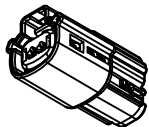
1x6

INSPECTION NUMBER LOG	2	MINOR GEOMETRY CHANGE FOR UL V0
LAST NUMBER: 11	1	UPDATE VIEWSETS
ADDED: 11		INITIAL RELEASE
REMOVED:		
REV		REV DESCRIPTION

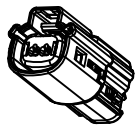
ENTER DESCRIPTION EEC NO: UA02016-1641 DRWN:BTANG 2016/05/10 CHKD: APPR:KDEKOSKI 2016/06/14	QUALITY SYMBOLS ∇=0 ∇=0 ∇=0	GENERAL TOLERANCES (UNLESS SPECIFIED)		DIMENSION STYLE <b>MM ONLY</b>		DRAWN BY DATE APROFFITT 2015/11/04 CHECKED BY DATE  APPROVED BY DATE KDEKOSKI 2016/06/14 MATERIAL NO. SEE NOTE 2a.	TITLE MX150 RCPT SINGLE ROW SEALED ASSY MAT SEAL <b>molex</b> DOCUMENT NO. SD-33471-0001	SCALE 1.5:1 DESIGN UNITS METRIC THIRD ANGLE PROJECTION	SHEET NO. 1 OF 8
		m	INCH						
		4 PLACES ± --- ± ---							
		3 PLACES ± --- ± ---							
2 PLACES ± 0.10 ± ---									
1 PLACE ± 0.2 ± ---									
0 PLACE ± --- ± ---									
DRAFT WHERE APPLICABLE MUST REMAIN WITHIN DIMENSIONS		ANGULAR ± 1 °		SIZE 1		THIS DRAWING CONTAINS INFORMATION THAT IS PROPRIETARY TO MOLEX AND SHOULD NOT BE USED WITHOUT WRITTEN PERMISSION			

**SHEET DESCRIPTION**

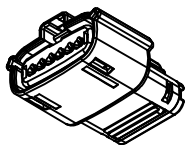
CONFIGURATIONS



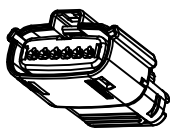
1x2 - STD



1x2 - UL V0\*



1x6 - STD



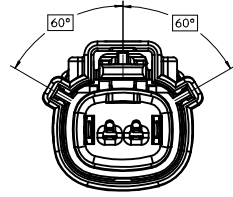
1x6 - UL V0\*

\*MINOR GEOMETRY DIFFERENCE THAN STANDARD CONFIGURATION  
SEE NOTES 1 & 2 FOR MORE INFORMATION

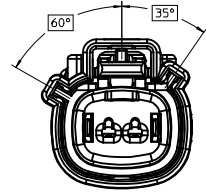
<b>ENTER DESCRIPTION</b> EC NO: UAU2016-1641 DRAWN BY: DRW:NBANG CHKD: CHYD: APPR:KDEKOSKI 2016/05/10 2016/06/14 DESCRIPTION REV: A	QUALITY SYMBOLS	GENERAL TOLERANCES (UNLESS SPECIFIED)		DIMENSION STYLE <b>MM ONLY</b>		SCALE <b>1.5:1</b>	DESIGN UNITS <b>METRIC</b>	THIRD ANGLE PROJECTION
	▽=0	4 PLACES ± --- ± ---	mm	INCH	DRAWN BY	DATE	TITLE	MX150 RCPT SINGLE ROW SEALED ASSY MAT SEAL <b>molex</b> DOCUMENT NO. SD-33471-0001 SHEET NO. 2 OF 8
	▽=0	3 PLACES ± --- ± ---			APPROVED BY	DATE		
	▽=0	2 PLACES ± 0.10 ± ---			CHECKED BY	DATE		
▽=0	1 PLACE ± 0.2 ± ---			KDEKOSKI	2016/06/14			
		0 PLACE ± --- ± ---			MATERIAL NO.			
		ANGULAR ± 1 °		SEE NOTE 2a.				
		DRAFT WHERE APPLICABLE MUST REMAIN WITHIN DIMENSIONS		SIZE 1		THIS DRAWING CONTAINS INFORMATION THAT IS PROPRIETARY TO MOLEX INCORPORATED AND SHOULD NOT BE USED WITHOUT WRITTEN PERMISSION		

**SHEET DESCRIPTION**  
KEY CONFIGURATIONS

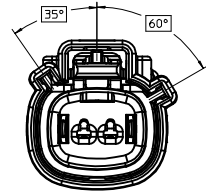
1X2



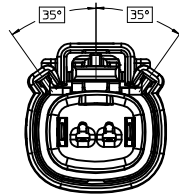
KEY A



KEY B



KEY C

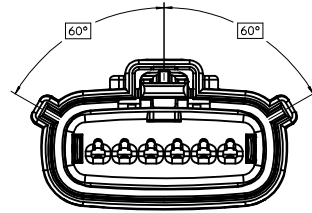


KEY D

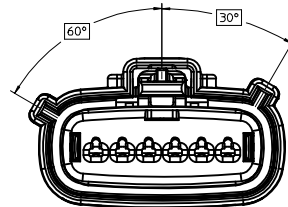
<b>ENTER DESCRIPTION</b> EC NO: UAU2016-1641 DRWN:BTANG 2016/05/10 CHKD: APPR:KDEKOSKI 2016/06/14	QUALITY SYMBOLS ∇=0 ∇=0 ∇=0	GENERAL TOLERANCES (UNLESS SPECIFIED)		DIMENSION STYLE <b>MM ONLY</b>		SCALE <b>3:1</b>	DESIGN UNITS <b>METRIC</b>	THIRD ANGLE PROJECTION	
		4 PLACES ± --- ± ---	mm	INCH	DRAWN BY APPROFIT	DATE 2015/11/04	TITLE <b>MX150 RCPT SINGLE ROW SEALED ASSY MAT SEAL</b>		
		3 PLACES ± --- ± ---			CHECKED BY	DATE	APPROVED BY KDEKOSKI		
		2 PLACES ± 0.10 ± ---			DATE 2016/06/14	MATERIAL NO.		DOCUMENT NO. <b>SD-33471-0001</b>	SHEET NO. 3 OF 8
1 PLACE ± 0.2 ± ---	ANGULAR ± 1 °		DRAFT WHERE APPLICABLE MUST REMAIN WITHIN DIMENSIONS		SEE NOTE 2a.		THIS DRAWING CONTAINS INFORMATION THAT IS PROPRIETARY TO MOLEX INCORPORATED AND SHOULD NOT BE USED WITHOUT WRITTEN PERMISSION		
0 PLACE ± --- ± ---					SIZE 1				

**SHEET DESCRIPTION**  
KEY CONFIGURATIONS CONT.

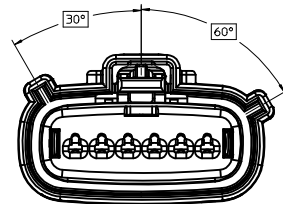
1X6



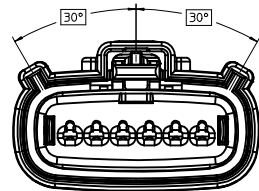
KEY A



KEY B



KEY C



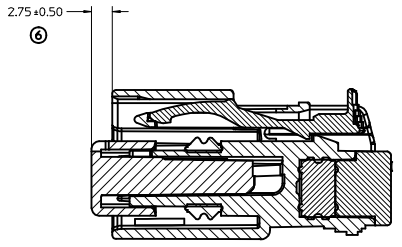
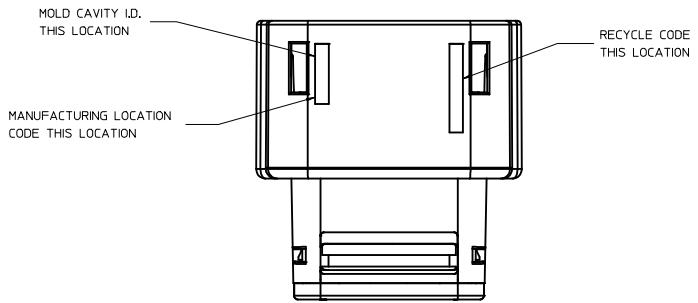
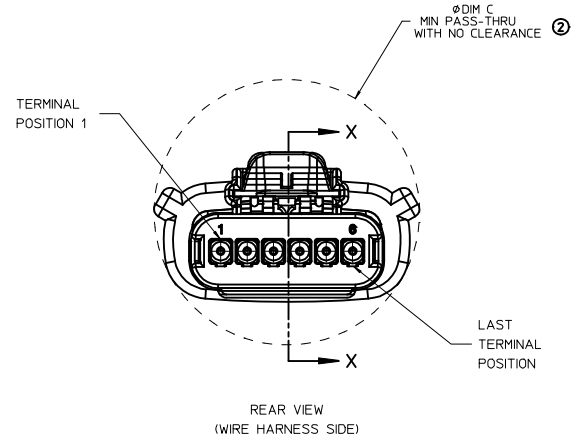
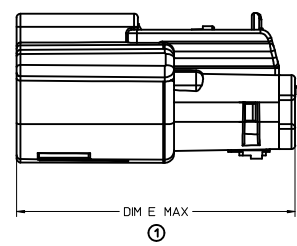
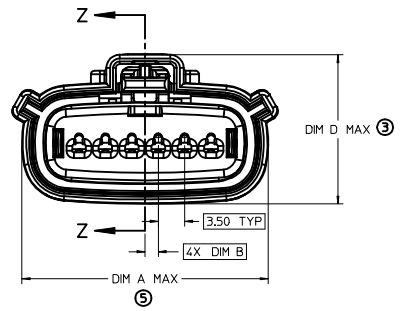
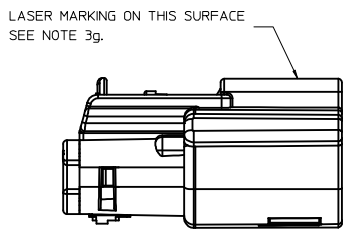
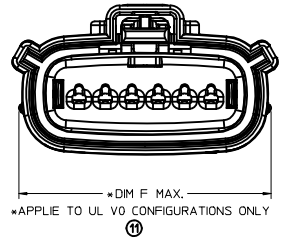
KEY D

<b>ENTER DESCRIPTION</b> EC NO: UAU2016-1641 DWN:ABTANG 2016/05/10 CHKD: APPR:KDEKOSKI 2016/06/14	QUALITY SYMBOLS ▽=0 ▽=0 ▽=0	GENERAL TOLERANCES (UNLESS SPECIFIED)		DIMENSION STYLE <b>MM ONLY</b>		SCALE <b>3:1</b>	DESIGN UNITS <b>METRIC</b>	THIRD ANGLE PROJECTION	
		4 PLACES ± --- ± ---	3 PLACES ± --- ± ---	2 PLACES ± 0.10 ± ---	1 PLACE ± 0.2 ± ---	0 PLACE ± --- ± ---	DRAWN BY APPROFFITT	DATE 2015/11/04	TITLE <b>MX150 RCPT SINGLE ROW SEALED ASSY MAT SEAL</b>
		ANGULAR ± 1 °		DRAFT WHERE APPLICABLE MUST REMAIN WITHIN DIMENSIONS		APPROVED BY KDEKOSKI	DATE 2016/06/14	MATERIAL NO. <b>SEE NOTE 2a.</b>	DOCUMENT NO. <b>SD-33471-0001</b>
		SHEET NO. <b>4 OF 8</b>		THIS DRAWING CONTAINS INFORMATION THAT IS PROPRIETARY TO MOLEX INCORPORATED AND SHOULD NOT BE USED WITHOUT WRITTEN PERMISSION					

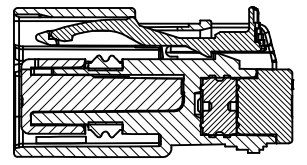
**SHEET DESCRIPTION**

RECEPTACLE CONNECTOR ASSEMBLY - STD

CHARTED DIMENSIONS						
DESCRIPTION	DIMENSIONS					
	A	B	C	D	E	F
1X2	19.40	1.75	21.73	20.55	37.65	19.64
1X6	32.75	1.75	35.21	19.90	37.65	N/A
1X6 UL V0	N/A	1.75	35.23	19.90	37.65	33.64



PRIMARY LOCK REINFORCEMENT (PLR) SHOWN  
IN PRE-STAGED POSITION  
**SECTION Z-Z**



PRIMARY LOCK REINFORCEMENT (PLR) SHOWN  
IN FINAL-LOCK POSITION  
**SECTION X-X**

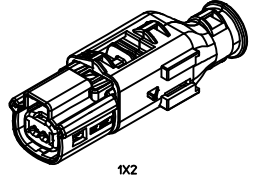
<b>ENTER DESCRIPTION</b> IEC NO: UAU2016-1641 DRAWN BY: DRWINBATANG CHKD: CHYKJ APPR: KDEKOSKI DATE: 2016/05/10 DATE: 2016/06/14	<b>QUALITY SYMBOLS</b> ∇=0 ∇=1 ∇=2 ∇=3	<b>GENERAL TOLERANCES (UNLESS SPECIFIED)</b>		<b>DIMENSION STYLE</b> MM ONLY		SCALE 3:1	DESIGN UNITS METRIC	THIRD ANGLE PROJECTION		
		4 PLACES ± --- ± ---	3 PLACES ± --- ± ---	2 PLACES ± 0.10 ± ---	1 PLACE ± 0.2 ± ---	0 PLACE ± --- ± ---	DRAWN BY DATE APPROFF ITT 2015/11/04	TITLE MX150 RCPT SINGLE ROW SEALED ASSY MAT SEAL		
		ANGULAR ± 1 °					APPROVED BY DATE KDEKOSKI 2016/06/14	MATERIAL NO. SEE NOTE 2a.		
		DRAFT WHERE APPLICABLE MUST REMAIN WITHIN DIMENSIONS					SEE NOTE 2a.	DOCUMENT NO. SD-33471-0001	SHEET NO. 5 OF 8	

THIS DRAWING CONTAINS INFORMATION THAT IS PROPRIETARY TO MOLEX INCORPORATED AND SHOULD NOT BE USED WITHOUT WRITTEN PERMISSION

**SHEET DESCRIPTION**  
BACKSHELL NOTES

BACKSHELL NOTES: VALID UNLESS OTHERWISE SPECIFIED

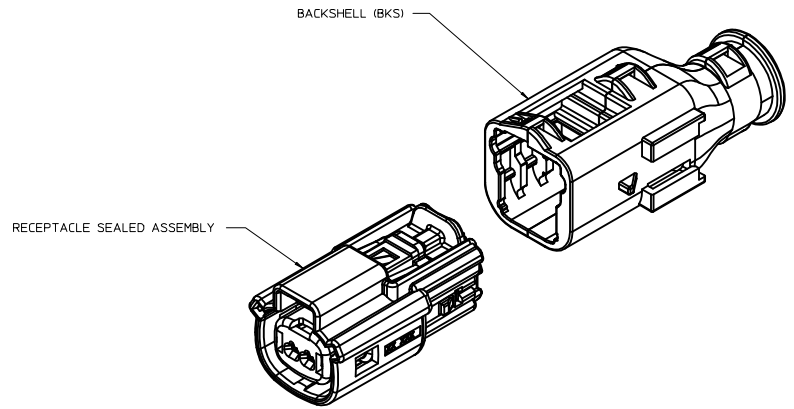
1. GENERAL:  
 a. APPLICATION SPECIFICATION SEE: AS-34951-001  
 -DESIGNED TO MATE WITH RECEPTACLE SEALED ASSEMBLY SPECIFIED IN MOLEX DRAWING SD-33471-0001.  
 -SYSTEM TO BE USED WITH WIRE WITHIN DIAMETER RANGE OF 1.2mm TO 2.69mm.  
 -COMPONENTS ARE OPTIONAL AND MUST BE PURCHASED SEPERATELY.  
 -BACKSHELL DESIGN IS OWNED BY SCHLEMMER.  
 -FOR ADDITIONAL INFORMATION SEE THE BACKSHELL COMPONENT DRAWING SD-34949-0001.



1X2

BACKSHELL CUSTOMER MODEL NUMBER LEGEND

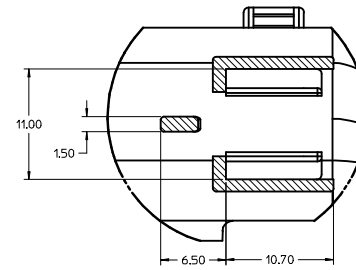
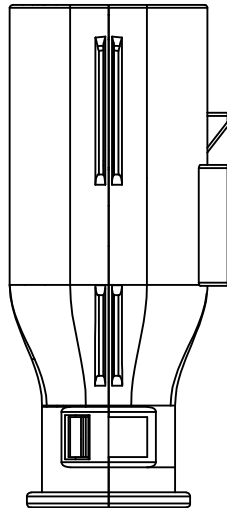
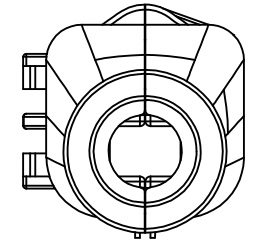
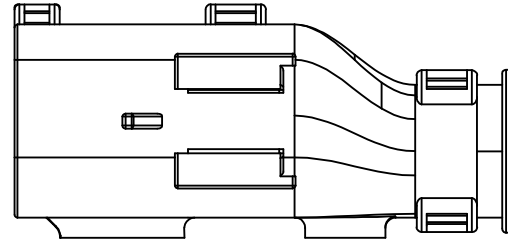
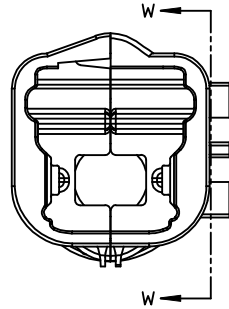
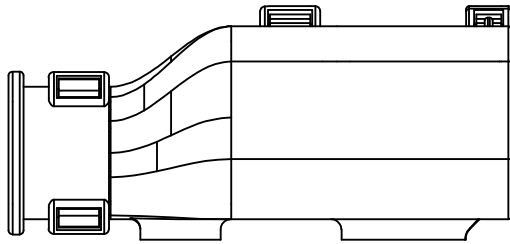
- 34949-XXXX
- CUSTOMER MODEL COMPONENTS
    - 0 - BACKSHELL ONLY
    - 1 - BACKSHELL & MX150 HOUSING KEY A ASSEMBLY
    - 2 - BACKSHELL & MX150 HOUSING KEY B ASSEMBLY
    - 3 - BACKSHELL & MX150 HOUSING KEY C ASSEMBLY
    - 4 - BACKSHELL & MX150 HOUSING KEY D ASSEMBLY
  - BACKSHELL FEATURES
    - 1 - WITH RIBS
    - 2 - WITHOUT RIBS
  - MX150 CIRCUIT SIZE 02, 03, 04, 05, 06



ENTER DESCRIPTION EC NO: UAUZ016-1641 DRWNR:BIANG 2016/05/10 CHKD: APPR:KDEKOSKI 2016/06/14 REV: A	QUALITY SYMBOLS	GENERAL TOLERANCES (UNLESS SPECIFIED)	DIMENSION STYLE <b>MM ONLY</b>	SCALE 4:1	DESIGN UNITS METRIC	THIRD ANGLE PROJECTION
	▽=0	4 PLACES ± --- ± ---	DRAWN BY DATE APPROFIT 2015/11/04	TITLE MX150 RCPT SINGLE ROW SEALED ASSY MAT SEAL		
	▽=0	3 PLACES ± --- ± ---	CHECKED BY DATE	molex DOCUMENT NO. SD-33471-0001 SHEET NO. 6 OF 8		
	▽=0	2 PLACES ± 0.10 ± ---	APPROVED BY DATE KDEKOSKI 2016/06/14			
▽=0	1 PLACE ± 0.2 ± ---	ANGULAR ± 1 °	MATERIAL NO.	SEE NOTE 2a.		
		DRAFT WHERE APPLICABLE MUST REMAIN WITHIN DIMENSIONS	SIZE 1	THIS DRAWING CONTAINS INFORMATION THAT IS PROPRIETARY TO MOLEX INCORPORATED AND SHOULD NOT BE USED WITHOUT WRITTEN PERMISSION		

**SHEET DESCRIPTION**

BACKSHELL



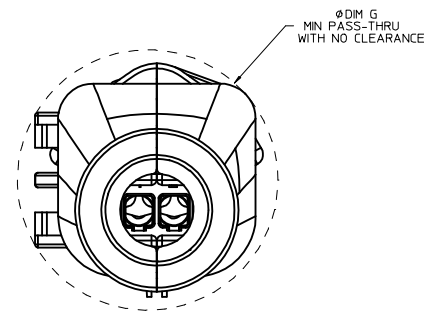
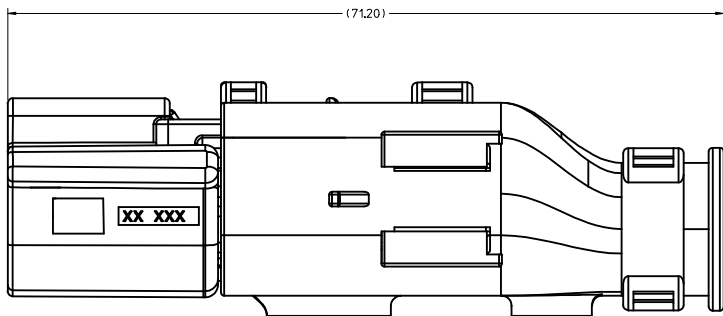
Partial W-W  
SCALE 4:1

<b>ENTER DESCRIPTION</b> EC NO: UA02016-1641 DRWN: BTANG 2016/05/10 CHKD: APPR: KDEKOSKI 2016/06/14	QUALITY SYMBOLS ∇=0 ∇=1 ∇=2 ∇=3	GENERAL TOLERANCES (UNLESS SPECIFIED) mm INCH 4 PLACES ± --- ± --- 3 PLACES ± --- ± --- 2 PLACES ± 0.10 ± --- 1 PLACE ± 0.2 ± --- 0 PLACE ± --- ± --- ANGULAR ± 1° DRAFT WHERE APPLICABLE MUST REMAIN WITHIN DIMENSIONS	DIMENSION STYLE <b>MM ONLY</b> DRAWN BY DATE APPROFIT 2015/11/04 CHECKED BY DATE APPROVED BY DATE KDEKOSKI 2016/06/14 MATERIAL NO. <b>SEE NOTE 2a.</b>	SCALE <b>4:1</b> DESIGN UNITS <b>METRIC</b> THIRD ANGLE PROJECTION	TITLE <b>MX150 RCPT                  SINGLE ROW SEALED ASSY                  MAT SEAL</b> <b>molex</b> DOCUMENT NO. <b>SD-33471-0001</b>	SHEET NO. <b>7 OF 8</b>
	REV A	DESCRIPTION	THIS DRAWING CONTAINS INFORMATION THAT IS PROPRIETARY TO MOLEX INCORPORATED AND SHOULD NOT BE USED WITHOUT WRITTEN PERMISSION	SIZE A1	SHEET NO.	SHEET NO.
	REV	DESCRIPTION	THIS DRAWING CONTAINS INFORMATION THAT IS PROPRIETARY TO MOLEX INCORPORATED AND SHOULD NOT BE USED WITHOUT WRITTEN PERMISSION	SIZE	SHEET NO.	SHEET NO.
	REV	DESCRIPTION	THIS DRAWING CONTAINS INFORMATION THAT IS PROPRIETARY TO MOLEX INCORPORATED AND SHOULD NOT BE USED WITHOUT WRITTEN PERMISSION	SIZE	SHEET NO.	SHEET NO.



**SHEET DESCRIPTION**  
BACKSHELL CONFIGURATIONS

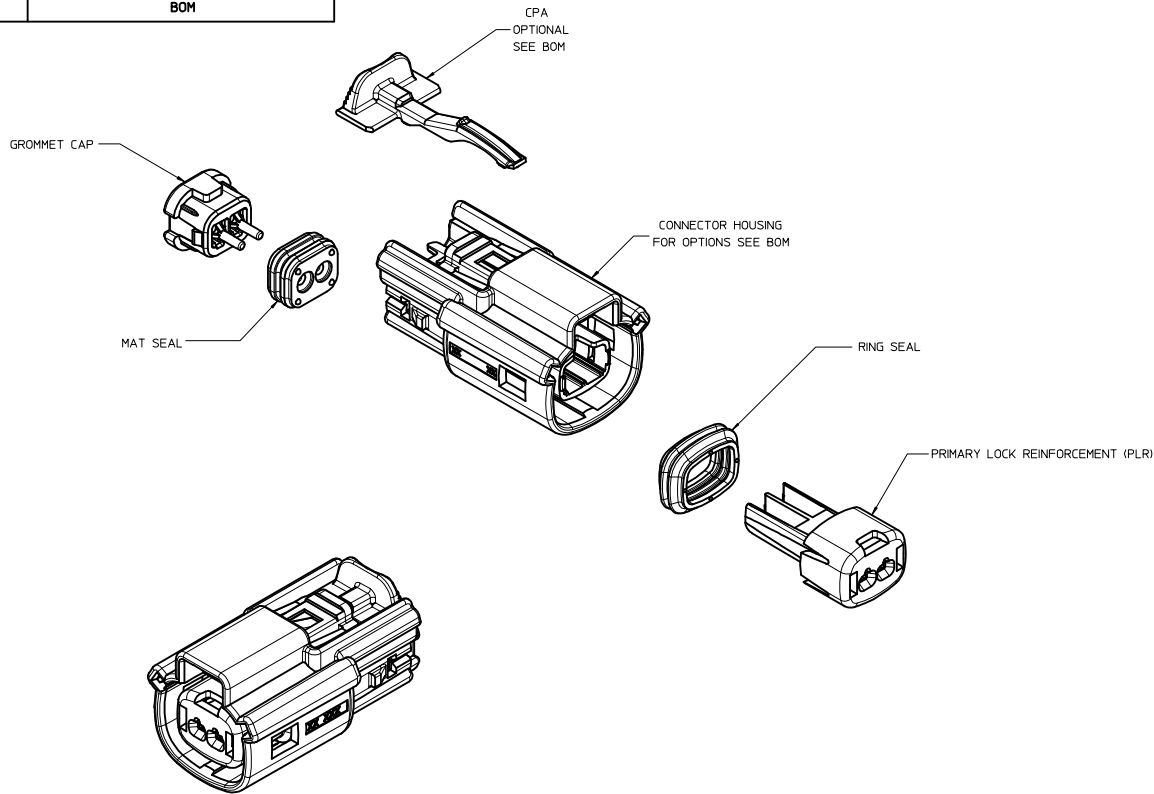
CHARTED DIMENSIONS	
DESCRIPTION	DIMENSIONS
1X2	G
	26.00



RECEPTACLE SEALED ASSEMBLY WITH RECEPTACLE BACKSHELL

<b>ENTER DESCRIPTION</b> EC NO: UAU2016-1641 DRWN: BTANG 2016/05/10 CHKD: A APPR: KDEKOSKI 2016/06/14	QUALITY SYMBOLS ∇=0 ∇=0 ∇=0 ∇=0	GENERAL TOLERANCES (UNLESS SPECIFIED)		DIMENSION STYLE <b>MM ONLY</b>		SCALE <b>4:1</b>	DESIGN UNITS <b>METRIC</b>	THIRD ANGLE PROJECTION
		4 PLACES ± --- ± --- 3 PLACES ± --- ± --- 2 PLACES ± 0.10 ± --- 1 PLACE ± 0.2 ± --- 0 PLACE ± --- ± ---	mm INCH	DRAWN BY DATE APPROFFITT 2015/11/04	TITLE <b>MX150 RCPT SINGLE ROW SEALED ASSY MAT SEAL</b>			
		ANGULAR ± 1 ° DRAFT WHERE APPLICABLE MUST REMAIN WITHIN DIMENSIONS	APPROVED BY DATE KDEKOSKI 2016/06/14	MATERIAL NO. <b>SEE NOTE 2a.</b>				
		SIZE 1 THIS DRAWING CONTAINS INFORMATION THAT IS PROPRIETARY TO MOLEX INCORPORATED AND SHOULD NOT BE USED WITHOUT WRITTEN PERMISSION	DOCUMENT NO. <b>SD-33471-0001</b>		SHEET NO. <b>8 OF 8</b>			

TABLE OF CONTENTS	
SHEET NO.	SHEET DESCRIPTION
1	NOTES
2	KEY CONFIGURATIONS
3	RECEPTACLE SEALED ASSEMBLY
4	BACKSHELL NOTES
5	BACKSHELL
6	BACKSHELL CONFIGURATIONS
7	BOM



**NOTES: VALID UNLESS OTHERWISE SPECIFIED**

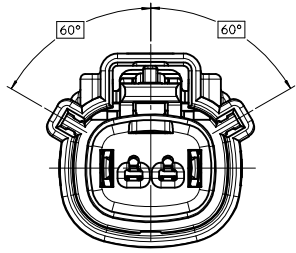
1. GENERAL:
  - a. APPLICATION SPECIFICATION SEE: AS-33472-100
    - CONTAINS: PRODUCT INTRODUCTION, PRODUCT SUMMARY, CONNECTOR ASSEMBLY, PACKAGING INFORMATION, CONNECTOR MATING SERVICE INSTRUCTIONS, ELECTRICAL CONTINUITY CHECKING, CRIMPING AND TROUBLESHOOTING.
    - DESIGNED TO MATE WITH DEVICE CONNECTION AS SPECIFIED IN DRAWING EWCAP 150-5-002-1-Z05, AVAILABLE AT <http://ewcap.uscarteams.org/>.
    - DESIGNED TO MATE WITH BLADE SEALED ASSEMBLY AS SPECIFIED IN DRAWING SD-33481-021
    - FOR 15mm RECEPTACLE TERMINALS TO BE USED WITH THIS ASSEMBLY. SEE MOLEX DRAWING SD-33012-002.
    - SYSTEM TO BE USED WITH WIRE WITHIN DIAMETER RANGE OF 1.2 mm TO 2.69 mm.
    - ASSEMBLY SHIPPED WITH PLR AND CPA IN PRE-LOCK POSITION (SEE SECTION Z-Z PRE-LOCK).
    - IN THE EVENT THAT THE PLR IS FOUND IN THE SEATED (FINAL LOCK) POSITION, REFER TO MOLEX SPECIFICATION PS-34646-001, AVAILABLE AT www.molex.com <http://www.molex.com>.
    - ASSEMBLY CONFORMS TO SAE/USCAR-2 REV.4 WITH THE FOLLOWING EXCEPTIONS: ENGAGEMENT FORCE TO MOVE CPA FROM PRE-LOCK TO FINAL LOCK POSITION WHEN UNMATED: 40N MIN. DISENGAGEMENT FORCE TO MOVE CPA FROM FINAL LOCK TO PRE-LOCK POSITION: 3N MIN. 40N MAX. TERMINAL INSERTION FORCE FOR WIRE DIAMETER ABOVE 2.5mm NOT EXCEEDING 2.69mm SHALL NOT EXCEED 40 NEWTONS.
  - b. PRODUCT SPECIFICATION SEE: PS-33471-000
    - CONTAINS: PRODUCT INTRODUCTION, PRODUCT SUMMARY, RATINGS (CURRENT, TEMPERATURE, SEALING, AND FLAMMABILITY), AND PRODUCT VALIDATION.
  - c. PACKAGING SPECIFICATION PER MOLEX DRAWING PK-31300-635
  - d. PARTS MUST BE IN COMPLIANCE TO MOLEX CHEMICAL SUBSTANCES FOR PRODUCTS AND PACKAGING SPECIFICATION: ES-40000-5016
  - e. DATA MUST BE SUBMITTED UNDER THE MOLEX PART NUMBER TO IMDS (COMPANY ID#13255)
2. DESIGN - MATERIALS:
  - a. SEE BOM TABLE
3. DESIGN - GEOMETRY:
  - a. THIS IS A 100% CAD GENERATED PART. THE CAD MATHEMATICAL DATA IS THE MASTER FOR THIS PART. FOR DIMENSIONAL OR ANY INFORMATION NOT SHOWN ON THIS DRAWING, ANALYZE THE CAD MODEL.
  - b. GEOMETRIC DIMENSIONS AND TOLERANCES PER ASME Y14.5M - 1994
  - c. EDGES AND UNDIMENSIONED DETAILS PER ISO13715
  - d. CORNERS SHOWN AS SHARP TO BE 0.2 MAX.
  - e. LETTERING SHALL BE 0.15 MAX RAISED IN 0.25 MAX RECESS PAD. THIS INCLUDES RECYCLING CODE, CAVITY ID, VENDOR IDENTIFICATION, AND CUSTOMER MATERIAL NUMBER.
  - f. VISUAL DEFECTS SHALL MEET COSMETIC STANDARD PS-45499-002 (Class B)
  - g. LASER MARKING: TBD

INSPECTION NUMBER LOG  
 LAST NUMBER USED: 5  
 ADDED:  
 REMOVED:

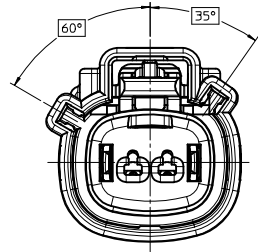
C11	ADD NEW P/N 33471-0224
C10	ADD NEW P/N 33471-0223
C9	UPDATED VIEWSET & NOTES
C8	RENAMED BACKSHELLS
C7	UPDATED CONFIGURATIONS SHEET 3
C6	UPDATED PACKAGING SPECIFICATION
C5	UPDATED GROMMET CAP CALLOUT
C4	REDRAWN, ADDED BACKSHELL
REV	DESCRIPTION

<b>ENTER DESCRIPTION</b> DEC NO: UAU2014-1876 DRAWN BY: 2014/06/06 CHKD: APPR: VKOSHY 2014/06/19 C11	QUALITY SYMBOLS ∇=0 ∇=0 ∇=0	GENERAL TOLERANCES (UNLESS SPECIFIED) <table border="1"> <thead> <tr> <th></th> <th>mm</th> <th>INCH</th> </tr> </thead> <tbody> <tr> <td>4 PLACES</td> <td>+0.15</td> <td>+0.006</td> </tr> <tr> <td>3 PLACES</td> <td>+0.20</td> <td>+0.008</td> </tr> <tr> <td>2 PLACES</td> <td>+0.30</td> <td>+0.012</td> </tr> <tr> <td>1 PLACE</td> <td>+0.50</td> <td>+0.020</td> </tr> <tr> <td>0 PLACE</td> <td>+0.75</td> <td>+0.030</td> </tr> </tbody> </table> ANGULAR ± 3 ° DRAFT WHERE APPLICABLE MUST REMAIN WITHIN DIMENSIONS		mm	INCH	4 PLACES	+0.15	+0.006	3 PLACES	+0.20	+0.008	2 PLACES	+0.30	+0.012	1 PLACE	+0.50	+0.020	0 PLACE	+0.75	+0.030	DIMENSION STYLE MM ONLY DRAWN BY: SVERZYL DATE: 06/17/08 CHECKED BY: DGRIFITHS DATE: 06/18/08 APPROVED BY: VKOSHY DATE: 2010/11/04	SCALE: 3:1 DESIGN UNITS: METRIC THIRD ANGLE PROJECTION	TITLE: MX150 1X2 RECEPTACLE SEALED ASSEMBLY MAT SEAL <b>molex</b> MATERIAL NO. SEE BOM DOCUMENT NO. SD-33471-021 SHEET NO. 1 OF 7
		mm	INCH																				
	4 PLACES	+0.15	+0.006																				
	3 PLACES	+0.20	+0.008																				
2 PLACES	+0.30	+0.012																					
1 PLACE	+0.50	+0.020																					
0 PLACE	+0.75	+0.030																					
THIS DRAWING CONTAINS INFORMATION THAT IS PROPRIETARY TO MOLEX INCORPORATED AND SHOULD NOT BE USED WITHOUT WRITTEN PERMISSION																							
INSPECTION NUMBER LOG LAST NUMBER USED: 5 ADDED: REMOVED:																							
ADD NEW P/N 33471-0224 ADD NEW P/N 33471-0223 UPDATED VIEWSET & NOTES RENAMED BACKSHELLS UPDATED CONFIGURATIONS SHEET 3 UPDATED PACKAGING SPECIFICATION UPDATED GROMMET CAP CALLOUT REDRAWN, ADDED BACKSHELL																							

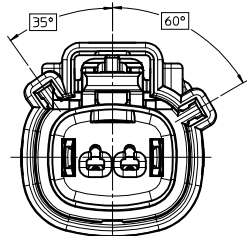
KEY CONFIGURATIONS



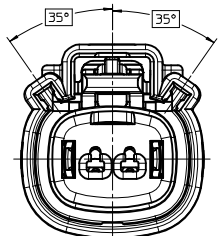
KEY A



KEY B

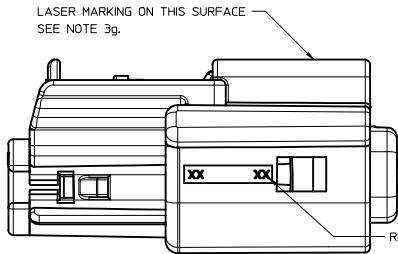


KEY C



KEY D

<b>ENTER DESCRIPTION</b> IEC NO: UAU2014-4876 DRAWN BY: 2014/06/06 CHKD: VKOSHY APPR: VKOSHY 2014/06/19 REV: DESCRIPTION	QUALITY SYMBOLS ▽=0 ▽=0 ▽=0		GENERAL TOLERANCES (UNLESS SPECIFIED) mm INCH 4 PLACES ± --- ± --- 3 PLACES ± --- ± --- 2 PLACES ± 0.10 ± --- 1 PLACE ± 0.2 ± --- 0 PLACE ± --- ± --- ANGULAR ± 3 ° DRAFT WHERE APPLICABLE MUST REMAIN WITHIN DIMENSIONS		DIMENSION STYLE MM ONLY DRAWN BY: SVERZYL DATE: 06/17/08 CHECKED BY: DGRIFITHS DATE: 06/18/08 APPROVED BY: VKOSHY DATE: 2010/11/04		SCALE 4:1	DESIGN UNITS METRIC	THIRD ANGLE PROJECTION	TITLE MX150 1X2 RECEPTACLE SEALED ASSEMBLY MAT SEAL <b>molex</b>		MATERIAL NO. SEE BOM	DOCUMENT NO. SD-33471-021	SHEET NO. 2 OF 7
	THIS DRAWING CONTAINS INFORMATION THAT IS PROPRIETARY TO MOLEX INCORPORATED AND SHOULD NOT BE USED WITHOUT WRITTEN PERMISSION													
	SIZE D													
	C11													



RECYCLE CODE

② 19.80±0.75 AT DATUM A

③ 3.50±0.30

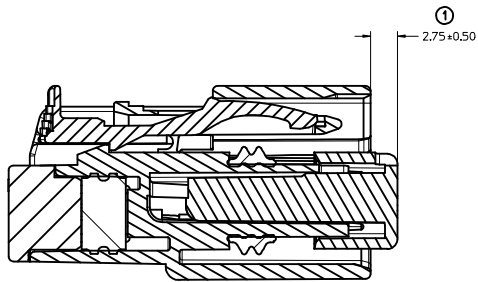
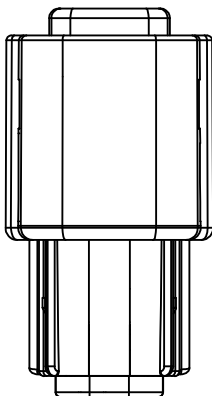
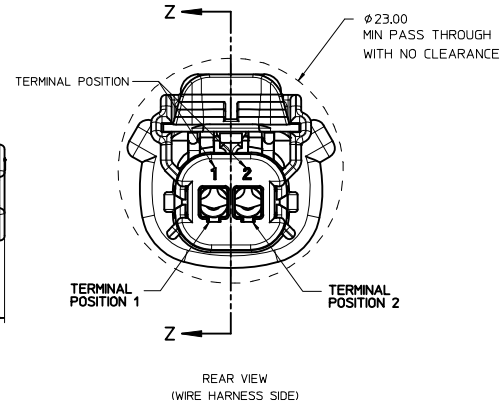
④ 18.65±0.75 AT DATUM A

MOLE CAVITY CODE  
LOCATION CODE

A

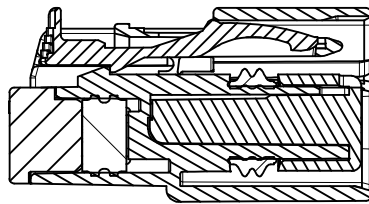
⑤ 36.95±0.70

RECEPTACLE SEALED ASSEMBLY



PRIMARY LOCK REINFORCEMENT (PLR) SHOWN  
IN PRE-STAGED POSITION

SECTION Z-Z

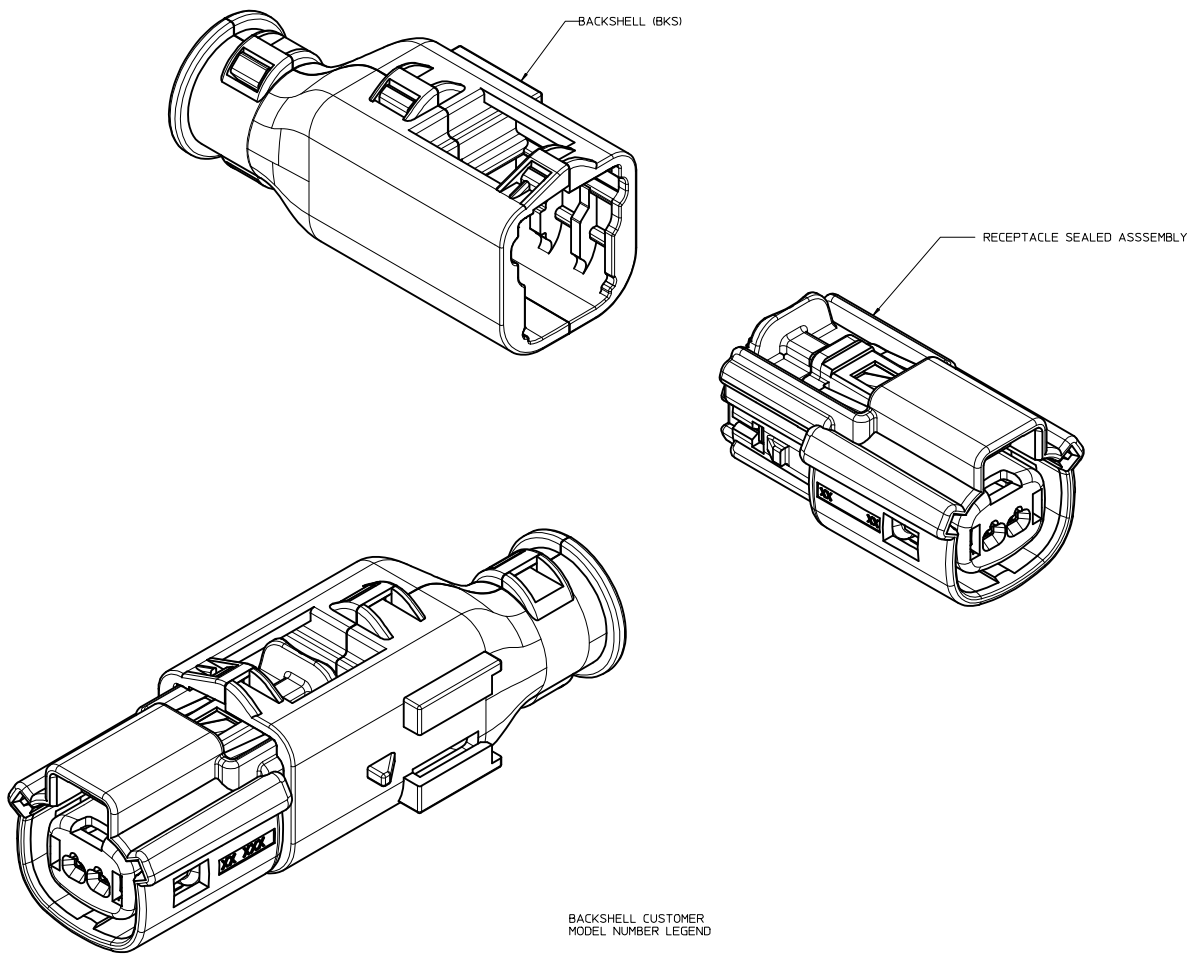


PRIMARY LOCK REINFORCEMENT (PLR) SHOWN  
IN FINAL-LOCK POSITION

SECTION Y-Y

<b>ENTER DESCRIPTION</b> IEC NO: UAU2014-1876 DRAWN BY: 2014/06/06 CHKD: APPR: VKOSHY 2014/06/19 C11	QUALITY SYMBOLS ∇=0 ∇=0 ∇=0	GENERAL TOLERANCES (UNLESS SPECIFIED) mm INCH 4 PLACES ± --- ± --- 3 PLACES ± --- ± --- 2 PLACES ± 0.10 ± --- 1 PLACE ± 0.2 ± --- 0 PLACE ± --- ± --- ANGULAR ± 3 ° DRAFT WHERE APPLICABLE MUST REMAIN WITHIN DIMENSIONS	DIMENSION STYLE MM ONLY DRAWN BY: DATE SVERZYL 06/17/08 CHECKED BY: DATE DGRIFITHS 06/18/08 APPROVED BY: DATE VKOSHY 2010/11/04	SCALE 4:1 DESIGN UNITS METRIC THIRD ANGLE PROJECTION	TITLE MX150 1X2 RECEPTACLE SEALED ASSEMBLY MAT SEAL <b>molex</b>	MATERIAL NO. SEE BOM	DOCUMENT NO. SD-33471-021	SHEET NO. 3 OF 7
	THIS DRAWING CONTAINS INFORMATION THAT IS PROPRIETARY TO MOLEX INCORPORATED AND SHOULD NOT BE USED WITHOUT WRITTEN PERMISSION							
	THIS DRAWING CONTAINS INFORMATION THAT IS PROPRIETARY TO MOLEX INCORPORATED AND SHOULD NOT BE USED WITHOUT WRITTEN PERMISSION							
	THIS DRAWING CONTAINS INFORMATION THAT IS PROPRIETARY TO MOLEX INCORPORATED AND SHOULD NOT BE USED WITHOUT WRITTEN PERMISSION							

BACKSHELL NOTES



BACKSHELL NOTES: VALID UNLESS OTHERWISE SPECIFIED

1. GENERAL:

- a. APPLICATION SPECIFICATION SEE: AS-34951-001
- DESIGNED TO MATE WITH RECEPTACLE SEALED ASSEMBLY SPECIFIED IN MOLEX DRAWING SD-33471-021.
- SYSTEM TO BE USED WITH WIRE WITHIN DIAMETER RANGE OF 1.2mm TO 2.69mm.
- COMPONENTS ARE OPTIONAL AND MUST BE PURCHASED SEPARATELY.
- BACKSHELL DESIGN IS OWNED BY SCHLEMMER.
- FOR ADDITIONAL INFORMATION SEE THE BACKSHELL COMPONENT DRAWING SD-34949-0001.

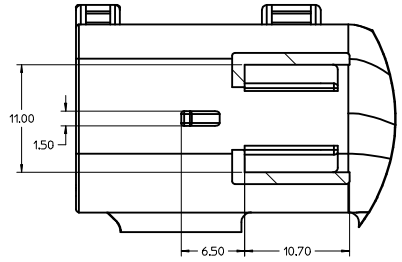
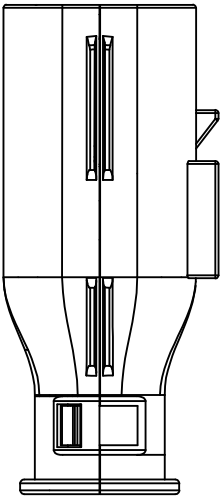
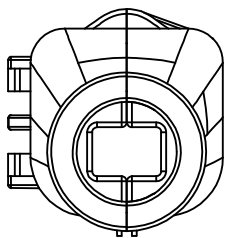
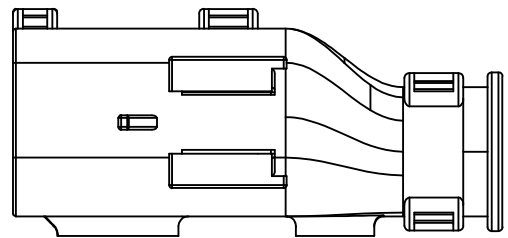
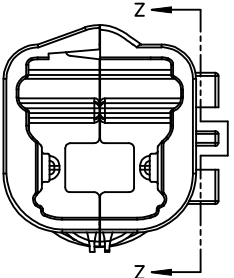
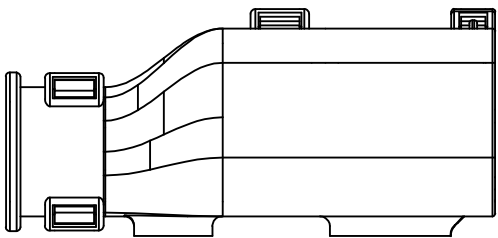
BACKSHELL CUSTOMER MODEL NUMBER LEGEND

34949-XXXX

- CUSTOMER MODEL COMPONENTS
  - 0 - BACKSHELL ONLY
  - 1 - BACKSHELL & MX150 HOUSING KEY A ASSEMBLY
  - 2 - BACKSHELL & MX150 HOUSING KEY B ASSEMBLY
  - 3 - BACKSHELL & MX150 HOUSING KEY C ASSEMBLY
  - 4 - BACKSHELL & MX150 HOUSING KEY D ASSEMBLY
- BACKSHELL FEATURES
  - 1 - WITH RIBS
  - 2 - WITHOUT RIBS
- MX150 CIRCUIT SIZE 02, 03, 04, 05, 06

ENTER DESCRIPTION IEC NO. UAU2014-1876 DRAWN BY CHKD: APPR:VKOSHY 2014/06/06 2014/06/19 DESCRIPTION C11	QUALITY SYMBOLS	GENERAL TOLERANCES (UNLESS SPECIFIED)	DIMENSION STYLE	SCALE	DESIGN UNITS	THIRD ANGLE PROJECTION
	∇=0 ∇=0 ∇=0	mm INCH 4 PLACES #--- #--- 3 PLACES #--- #--- 2 PLACES #0.10 #--- 1 PLACE #0.2 #--- 0 PLACE #--- #---	MM ONLY DRAWN BY DATE SVERZYL 06/17/08 CHECKED BY DATE DGRIFITHS 06/18/08 APPROVED BY DATE VKOSHY 2010/11/04	4:1	METRIC	MX150 1X2 RECEPTACLE SEALED ASSEMBLY MAT SEAL <b>molex</b>
	ANGULAR ± 3° DRAFT WHERE APPLICABLE MUST REMAIN WITHIN DIMENSIONS	MATERIAL NO. SEE BOM	DOCUMENT NO.	SD-33471-021	SHEET NO.	4 OF 7
THIS DRAWING CONTAINS INFORMATION THAT IS PROPRIETARY TO MOLEX INCORPORATED AND SHOULD NOT BE USED WITHOUT WRITTEN PERMISSION						

BACKSHELL  
 THE VIEWS ON THIS SHEET ARE  
 IN THE CLOSED UN-ASSEMBLED POSITION

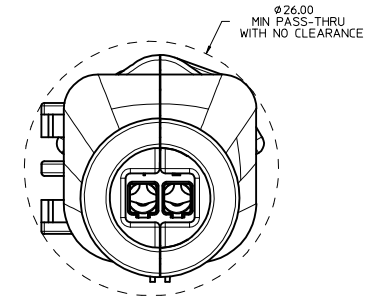
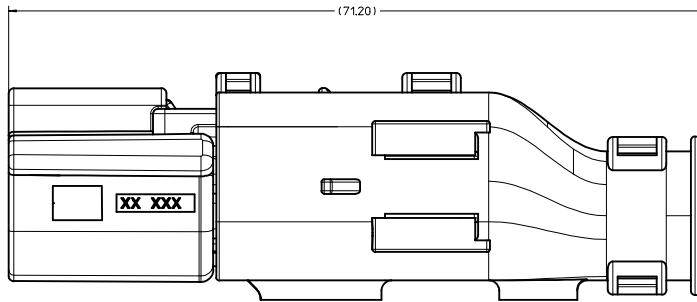


Partial Z-Z  
 SCALE 4:1

<b>ENTER DESCRIPTION</b> IEC NO: UAU2014-4876 DRAWN BY: 2014/06/06 CHKD: VKOSHY APPR: VKOSHY 2014/06/19 DESCRIPTION	QUALITY SYMBOLS	GENERAL TOLERANCES (UNLESS SPECIFIED)	DIMENSION STYLE	SCALE	DESIGN UNITS	THIRD ANGLE PROJECTION
	$\nabla=0$ $\nabla=0$ $\nabla=0$	mm INCH 4 PLACES ± --- ± --- 3 PLACES ± --- ± --- 2 PLACES ± 0.10 ± --- 1 PLACE ± 0.2 ± --- 0 PLACE ± --- ± ---	MM ONLY	4:1	METRIC	
	DRAFT WHERE APPLICABLE MUST REMAIN WITHIN DIMENSIONS	ANGULAR ± 3° MATERIAL NO. SEE BOM DATE 06/17/08 DATE 06/18/08 DATE 2010/11/04	TITLE <b>MX150 1X2 RECEPTACLE          SEALED ASSEMBLY          MAT SEAL</b>		DOCUMENT NO.	SHEET NO.
			<b>molex</b>		SD-33471-021	5 OF 7

20 19 18 17 16 15 14 13 12 11 10 9 8 7 6 5 4 3 2 1

BACKSHELL CONFIGURATIONS



RECEPTACLE SEALED ASSEMBLY WITH RECEPTACLE BACKSHELL

<b>ENTER DESCRIPTION</b> IEC NO: UAU2014-4876 DRAWN BY: 2014/06/06 CHKD: VKOSHY APPR: VKOSHY 2014/06/19 REVISION DESCRIPTION C11	QUALITY SYMBOLS ▽=0 ▽=0 ▽=0	GENERAL TOLERANCES (UNLESS SPECIFIED) <table border="1"> <thead> <tr> <th></th> <th>mm</th> <th>INCH</th> </tr> </thead> <tbody> <tr> <td>4 PLACES</td> <td>±---</td> <td>±---</td> </tr> <tr> <td>3 PLACES</td> <td>±---</td> <td>±---</td> </tr> <tr> <td>2 PLACES</td> <td>±0.10</td> <td>±---</td> </tr> <tr> <td>1 PLACE</td> <td>±0.2</td> <td>±---</td> </tr> <tr> <td>0 PLACE</td> <td>±---</td> <td>±---</td> </tr> </tbody> </table> ANGULAR ± 3 ° DRAFT WHERE APPLICABLE MUST REMAIN WITHIN DIMENSIONS		mm	INCH	4 PLACES	±---	±---	3 PLACES	±---	±---	2 PLACES	±0.10	±---	1 PLACE	±0.2	±---	0 PLACE	±---	±---	DIMENSION STYLE <b>MM ONLY</b>	SCALE <b>4:1</b>	DESIGN UNITS <b>METRIC</b>	THIRD ANGLE PROJECTION 	DRAWN BY: SVERZYL DATE: 06/17/08 CHECKED BY: DGRIFITHS DATE: 06/18/08 APPROVED BY: VKOSHY DATE: 2010/11/04	TITLE <b>MX150 1X2 RECEPTACLE SEALED ASSEMBLY MAT SEAL</b>	MATERIAL NO. <b>SEE BOM</b>	DOCUMENT NO. <b>SD-33471-021</b>	SHEET NO. 6 OF 7
		mm	INCH																										
	4 PLACES	±---	±---																										
	3 PLACES	±---	±---																										
2 PLACES	±0.10	±---																											
1 PLACE	±0.2	±---																											
0 PLACE	±---	±---																											
THIS DRAWING CONTAINS INFORMATION THAT IS PROPRIETARY TO MOLEX INCORPORATED AND SHOULD NOT BE USED WITHOUT WRITTEN PERMISSION																													
<b>molex</b>																													
MOLEX IS A REGISTERED TRADEMARK OF MOLEX ELECTRONICS CORPORATION. © 2014 MOLEX ELECTRONICS CORPORATION. ALL RIGHTS RESERVED.																													

19 18 17 16 15 14 13 12 11 10 9 8 7 6 5 4 3 2 1

(C11)	KEY A W/CPA, BLACK	33471-0224	A					GCP	CPA		2	SALEABLE		34949-0210	34949-0220	
	KEY A W/CPA, YELLOW	33471-0223				A	GCO		CPA			SALEABLE		34949-0210	34949-0220	
	KEY A, BLACK	33471-0222	A					GCP			2	SALEABLE		34949-0210	34949-0220	
	KEY A, BLACK	33471-0221	A					GCP		1	2	SALEABLE		34949-0210	34949-0220	
	KEY D W/CPA, STONE GRAY	33471-0217			D			GCP	CPA	1		SALEABLE		34949-0210	34949-0220	
	KEY C W/CPA, DARK GRAY	33471-0216			C			GCP	CPA	1		SALEABLE		34949-0210	34949-0220	
	KEY B W/CPA, LIGHT GRAY	33471-0215		B				GCP	CPA	1		SALEABLE		34949-0210	34949-0220	
	KEY A W/CPA, BLACK	33471-0214	A					GCP	CPA	1		SALEABLE		34949-0210	34949-0220	
	KEY D, STONE GRAY	33471-0213			D			GCP		1		SALEABLE		34949-0210	34949-0220	
	KEY C, DARK GRAY	33471-0212			C			GCP		1		SALEABLE		34949-0210	34949-0220	
	KEY B, LIGHT GRAY	33471-0211		B				GCP		1		SALEABLE		34949-0210	34949-0220	
	KEY A, BLACK	33471-0210	A					GCP		1		SALEABLE		34949-0210	34949-0220	
	KEY D W/CPA, STONE GRAY	33471-0209			D	GCO			CPA			SALEABLE		34949-0210	34949-0220	
	KEY C W/CPA, DARK GRAY	33471-0208			C	GCO			CPA			SALEABLE		34949-0210	34949-0220	
	KEY B W/CPA, LIGHT GRAY	33471-0207			B	GCO			CPA			SALEABLE		34949-0210	34949-0220	
	KEY A W/CPA, BLACK	33471-0206	A			GCO			CPA			SALEABLE		34949-0210	34949-0220	
	KEY D, STONE GRAY	33471-0204			D	GCO						SALEABLE		34949-0210	34949-0220	
	KEY C, DARK GRAY	33471-0203			C	GCO						SALEABLE		34949-0210	34949-0220	
	KEY B, LIGHT GRAY	33471-0202			B	GCO						SALEABLE		34949-0210	34949-0220	
	KEY A, BLACK	33471-0201	A			GCO						SALEABLE		34949-0210	34949-0220	
	ASSEMBLY DESCRIPTION	ASSEMBLY PART NUMBER	A	B	C	D	A	GCO	GCP	CPA	1	2	STATUS	COMMENTS	BACKSHELL WITH RIBS	BACKSHELL WITHOUT RIBS
													BLOCKED TERMINAL		OPTIONAL ATTACHMENTS SOLD SEPERATELY	
													CAVITY WITH A NUMBER INDICATES BLOCKED TERMINAL POSITION			
													CAVITY WITHOUT A NUMBER INDICATES OPEN TERMINAL POSITION			

MAT SEAL	ROYAL BLUE	INHERENTLY LUBRICATED SILICONE
RING SEAL	LIGHT BLUE	INHERENTLY LUBRICATED SILICONE
PLR	NATURAL	SPS/NYLON GF20
CPA	RED	PBT GF20
GROMMET CAP (PLUGGED)	BLACK	SPS/NYLON GF20
GROMMET CAP (OPEN)	BLACK	SPS/NYLON GF20
HOUSING KEYING OPTION A	YELLOW	SPS/NYLON GF20
HOUSING KEYING OPTION D	STONE GRAY	SPS/NYLON GF20
HOUSING KEYING OPTION C	DARK GRAY	SPS/NYLON GF20
HOUSING KEYING OPTION B	LIGHT GRAY	SPS/NYLON GF20
HOUSING KEYING OPTION A	BLACK	SPS/NYLON GF20
DESCRIPTION	COLOR	MATERIAL

BOM/APPLICABLE COMPONENTS TABLE

ABBREVIATION	COMPONENT
A	HOUSING KEY A
B	HOUSING KEY B
C	HOUSING KEY C
D	HOUSING KEY D
GCO	GROMMET CAP, OPEN
GCP	GROMMET CAP, CLOSED
M	MAT SEAL
R	RING SEAL
P	PLR, STANDARD
CPA	CPA
BKS	BACKSHELL

ENTER DESCRIPTION ELEC NO: UAU2014-1876 DRAWN BY CHKD: APPR:VKOSHY 2014/06/19 2014/06/19 C11	QUALITY SYMBOLS ∇=0 ∇=0 ∇=0	GENERAL TOLERANCES (UNLESS SPECIFIED) 4 PLACES ± .005 ± .005 3 PLACES ± .005 ± .005 2 PLACES ± 0.10 ± .005 1 PLACE ± 0.2 ± .005 0 PLACE ± .005 ± .005	DIMENSION STYLE MM ONLY	SCALE DESIGN UNITS METRIC	THIRD ANGLE PROJECTION
	DRAWN BY DATE SVERZYL 06/17/08		CHECKED BY DATE DGRIFITHS 06/18/08		TITLE MX150 1X2 RECEPTACLE SEALED ASSEMBLY MAT SEAL
	APPROVED BY DATE VKOSHY 2010/11/04		MATERIAL NO. SEE BOM		
	DRAFT WHERE APPLICABLE MUST REMAIN WITHIN DIMENSIONS		DOCUMENT NO. SD-33471-021		SHEET NO. 7 OF 7