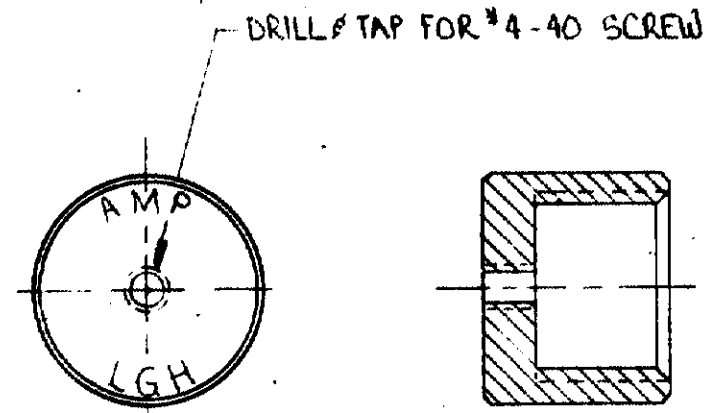
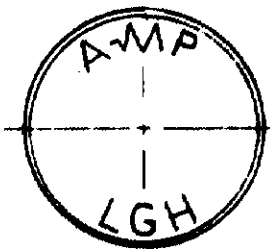
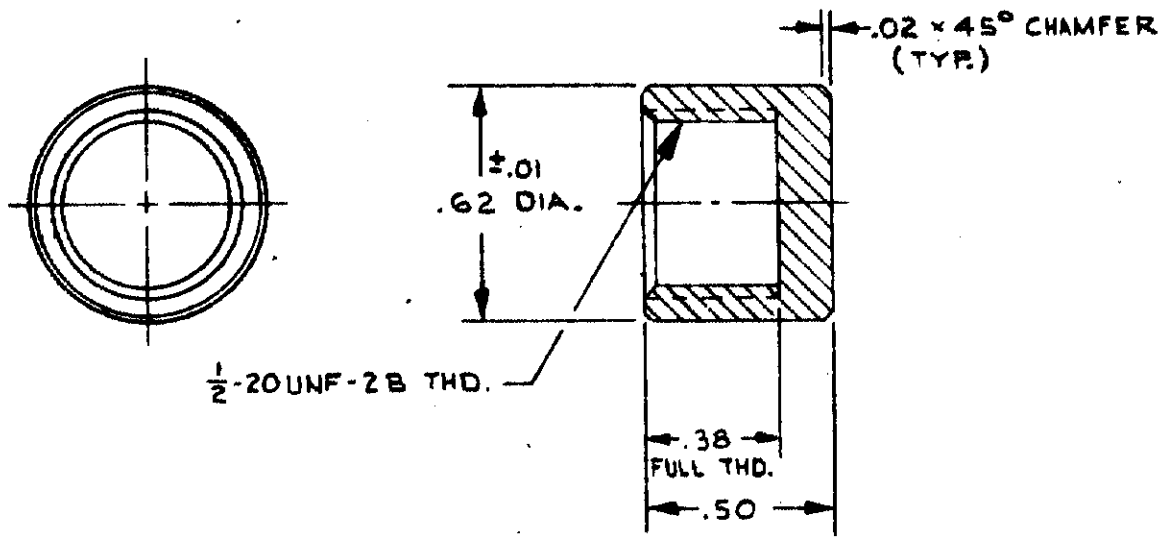


© 1968 BY AMP INCORPORATED. ALL RIGHTS RESERVED. AMP PRODUCTS COVERED BY PATENTS AND/OR PATENTS PENDING.

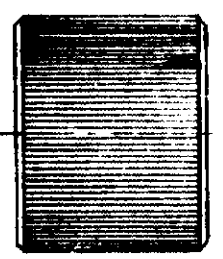
THIS PRODUCT DESIGNED AND BUILT BY AMP INCORPORATED. NO LICENSE TO USE THAT DESIGN OR MANUFACTURE, OR TO USE ANY ISSUED OR PENDING PATENTS WHICH ARE INVOLVED, IS IMPLIED.

850513

REVISIONS				
ZONE	LTR	DESCRIPTION	DATE	APPROVED
	A	ADDED -2	RN 9/6/87	
	B	OBSOLETE -2 ECN 53630	1-29-87	JM



OBSOLETE 850513-2 SAME AS -1 EXCEPT: #4-40 HOLE, DRILLED & TAPPED



QTY REQD	QTY REQD	ITEM NO.	DWG SIZE	PART OR IDENTIFYING NO.	NOMENCLATURE OR DESCRIPTION	SYMBOL
-2	-1					

UNLESS OTHERWISE SPECIFIED: DIMENSIONS ARE IN INCHES TOLERANCES .00 = ±.02 ANGLES = ±.2° .000 = ±				CONTRACT NO. DR <i>ECralt 6-27-68</i>		AMP AMP INCORPORATED CAPITRON DIVISION. ELIZABETHTOWN, PENNSYLVANIA
MATERIAL: <i>Aluminum</i>				CHK	NAME LGH-1 & IL CAP (DUST COVER)	
FINISH: GREEN				APPR	APPD	SIZE B
NEXT ASSY				DSGN APPD	OTHER APPD	CODE IDENT NO. 00779
FINAL ASSY				APPLICATION		NUMBER 850513
QTY REQD				SCALE 2:1		WT
						SHEET 1 OF 1

CUSTOMER DRAWING

Mouser Electronics

Authorized Distributor

Click to View Pricing, Inventory, Delivery & Lifecycle Information:

[TE Connectivity:](#)

[850513-1](#)