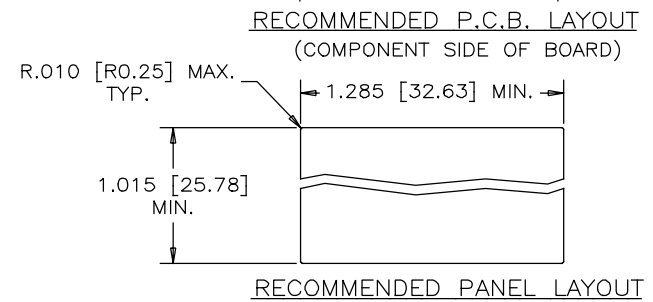
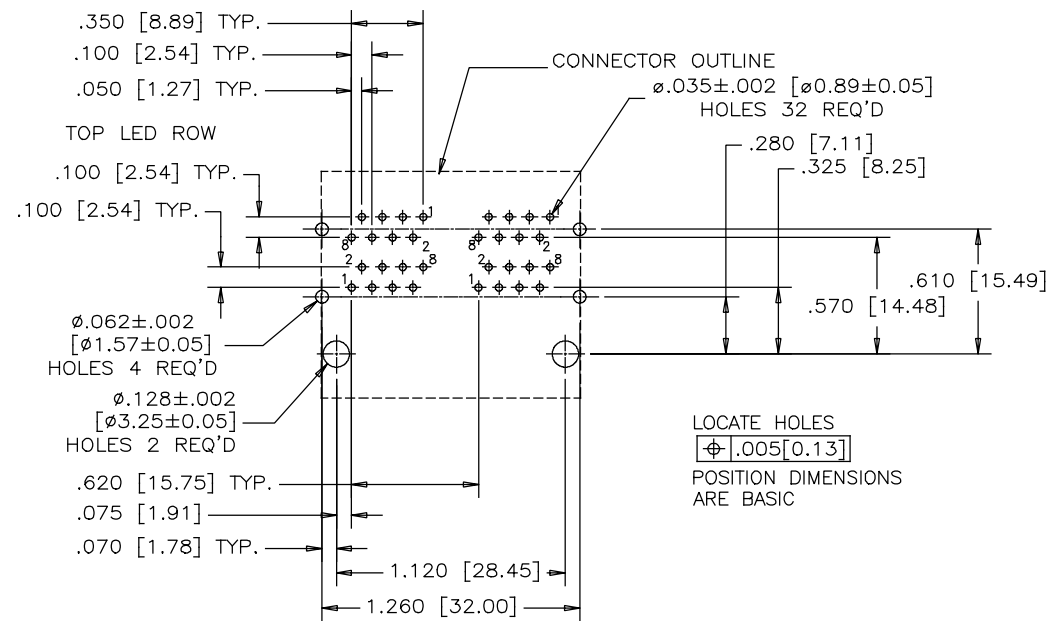
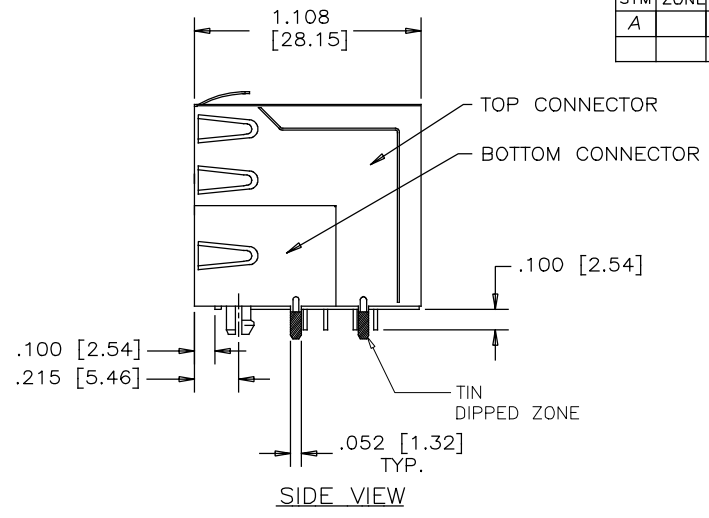
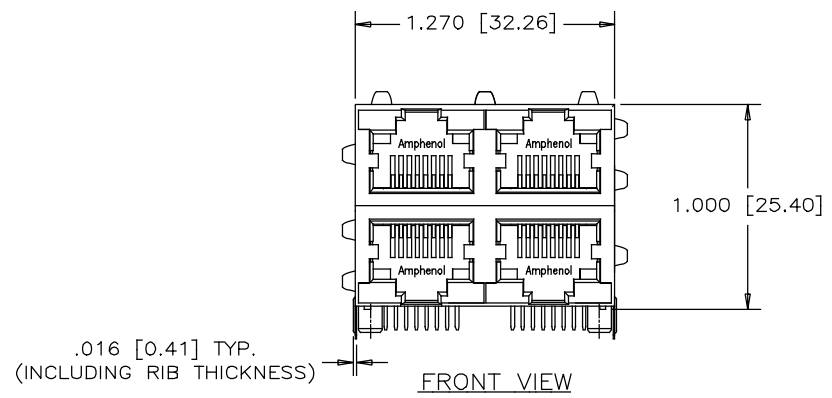


REVISIONS				
SYM	ZONE	ECN, ERN NO.	DATE	APPRD.
A		PROPOSAL	FEB18/13	L.CHAN



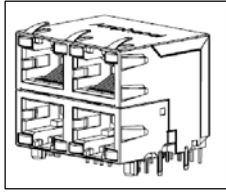
MATERIALS:
HOUSING: HIGH TEMPERATURE THERMOPLASTIC.
 FLAMMABILITY RATING UL 94V-0,
 COLOUR: BLACK.
CONTACTS: PHOSPHOR BRONZE
 PLATING: 50µ" [1.27 MICRONS]
 MIN. GOLD OVER MATING SURFACES.
 50µ" [1.27 MICRONS]
 MIN. NICKEL UNDERPLATE.
 100µ" MIN. MATTE TIN OR GOLD FLASH
 ON CONTACT AILS.
SHIELD: COPPER ALLOY
 PLATING: NICKEL WITH TIN DIPPED TAILS.

PART NUMBER: RJSAE-5380-04

THIS DOCUMENT CONTAINS PROPRIETARY INFORMATION AND SUCH INFORMATION MAY NOT BE DISCLOSED TO OTHERS FOR ANY PURPOSE OR USED FOR MANUFACTURING PURPOSES WITHOUT WRITTEN PERMISSION FROM AMPHENOL CANADA CORP.

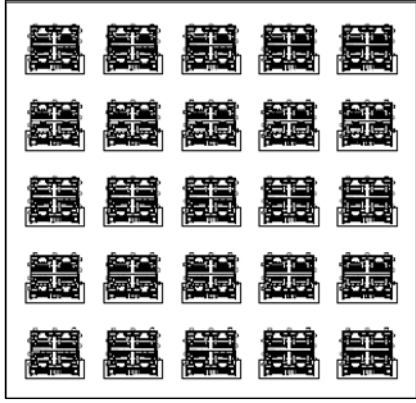
DRAWN G.HSIA	DATE FEB18/13	Amphenol Canada Corp.			
DESIGNED					
CHECKED L.CHAN	DATE FEB18/13	TITLE STACKABLE MULTI-PORT MODULAR JACK, SHIELDED, 4 PORTS, 2 PIECE CONSTRUCTION(8 POSITION, 8 CONTACTS) - RoHS COMPLIANT			
I. E. APPRD.					
Q. A. APPRD.		DRAWING NO. P-RJSAE-5380-04			
DWG. APPRD.					
ENG. REL. NO.		REV. A			
REF.					
DIMENSIONS ARE IN INCHES [mm]	CODE ID. NO. 03554	SCALE	WT. _____	SURF. _____	SHEET 1 OF 2

REVISIONS				
SYM	ZONE	ECN, ERN NO.	DATE	APPRD.
A		PROPOSAL	FEB18/13	L.CHAN



CONNECTOR

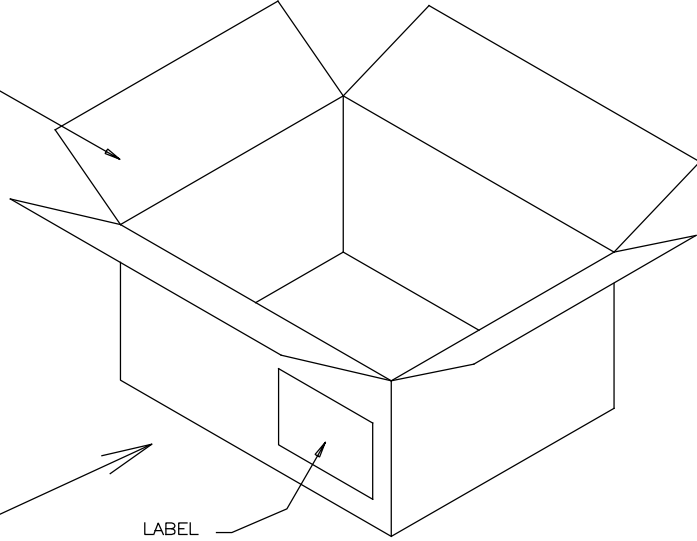
CONNECTOR PLACE INTO FOAM



25PCS CONNECTOR PER FOAM

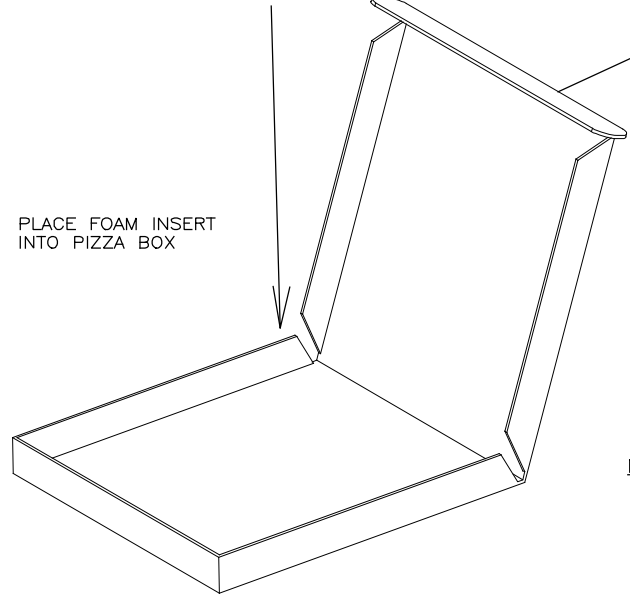


6 PIZZA BOX IN CARTON

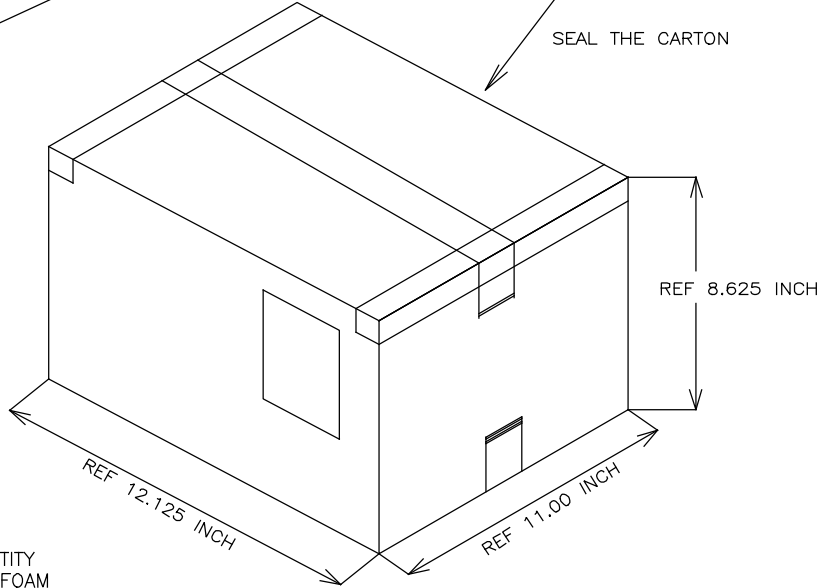


LABEL

SEAL THE CARTON



PLACE FOAM INSERT INTO PIZZA BOX



- NOTES:
1. 25PCS PER FOAM
 2. 6 PCS PIZZA BOX PER CARTON
 - 150 PCS CONNECTORS PER CARTON

DRAWN	G.HSIA	DATE	FEB18/13
DESIGNED			
CHECKED	L.CHAN	DATE	FEB18/13
I. E. APPRD.			
Q. A. APPRD.			
DWG. APPRD.			
ENG. REL. NO.			
REF.			
DIMENSIONS ARE IN INCHES [mm]	CODE ID. NO.	03554	

Amphenol Canada Corp.

TITLE STACKABLE MULTI-PORT MODULAR JACK, SHIELDED, 4 PORTS, 2 PIECE CONSTRUCTION(8 POSITION, 8 CONTACTS) - RoHS COMPLIANT

DWG	DRAWING NO.	REV.
	P-RJSAE-5380-04	A
SCALE	WT. -----	SURF. -----
		SHEET 2 OF 2

THIS DOCUMENT CONTAINS PROPRIETARY INFORMATION AND SUCH INFORMATION MAY NOT BE DISCLOSED TO OTHERS FOR ANY PURPOSE OR USED FOR MANUFACTURING PURPOSES WITHOUT WRITTEN PERMISSION FROM AMPHENOL CANADA CORP.