

NCP565, NCV565

Linear Regulator - Low Dropout

1.5 A

The NCP565/NCV565 low dropout linear regulator will provide 1.5 A at a fixed output voltage or an adjustable voltage down to 0.9 V. The fast loop response and low dropout voltage make this regulator ideal for applications where low voltage and good load transient response are important. Device protection includes current limit, short circuit protection, and thermal shutdown.

Features

- Ultra Fast Transient Response ($< 1.0 \mu\text{s}$)
- Low Ground Current (1.5 mA at $I_{\text{load}} = 1.5 \text{ A}$)
- Low Dropout Voltage (0.9 V at $I_{\text{load}} = 1.5 \text{ A}$)
- Low Noise (28 μV_{rms})
- 0.9 V Reference Voltage
- Adjustable Output Voltage from 7.7 V down to 0.9 V
- 1.2 V, 1.5 V, 2.8 V, 3.0 V, 3.3 V Fixed Output Versions. Other Fixed Voltages Available on Request
- Current Limit Protection (3.3 A Typ)
- Thermal Shutdown Protection (160°C)
- NCV Prefix for Automotive and Other Applications Requiring Unique Site and Control Change Requirements; AEC-Q100 Qualified and PPAP Capable
- These are Pb-Free Devices

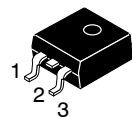
Typical Applications

- Servers
- ASIC Power Supplies
- Post Regulation for Power Supplies
- Constant Current Source



ON Semiconductor®

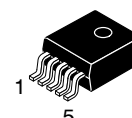
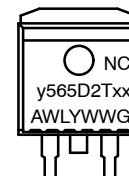
www.onsemi.com



**D²PAK 3
CASE 936
FIXED**

Tab = Ground
Pin 1. V_{in}
2. Ground
3. V_{out}

MARKING DIAGRAMS



**D²PAK 5
CASE 936A
ADJUSTABLE**

Tab = Ground
Pin 1. N.C.
2. V_{in}
3. Ground
4. V_{out}
5. Adj



xx = 12 or 33
y = P or V
A = Assembly Location
WL = Wafer Lot
Y = Year
WW = Work Week
G = Pb-Free



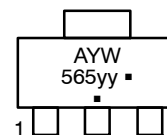
**DFN6, 3x3.3
CASE 506AX**

xx = Voltage Rating
AJ = Adjustable
12 = 1.2 V 30 = 3.0V
15 = 1.5 V 33 = 3.3 V
28 = 2.8 V



**SOT-223
CASE 318E**

yy = Voltage Rating
12 = 1.2 V
A = Assembly Location
Y = Year
W = Work Week
▪ = Pb-Free Package



Tab = V_{out}
Pin 1. Ground
2. V_{out}
3. V_{in}

(Note: Microdot may be in either location)

ORDERING INFORMATION

See detailed ordering and shipping information in the package dimensions section on page 11 of this data sheet.

NCP565, NCV565

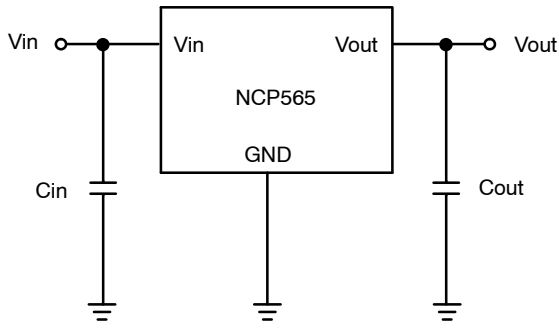


Figure 1. Typical Application Schematic, Fixed Output

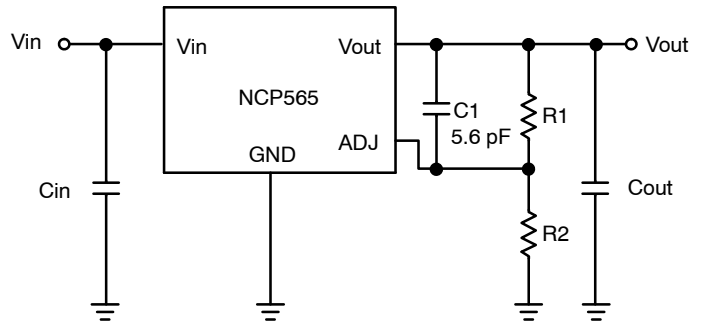


Figure 2. Typical Application Schematic, Adjustable Output

PIN DESCRIPTION

D ² PAK 5	D ² PAK 3	DFN6		SOT-223	Symbol	Description
Pin No. Adj. Version	Pin No. Fixed Version	Pin No. Adj. Version	Pin No. Fixed Version	Pin No. Fixed Version		
1	–	1, 2	1, 2, 5	–	N.C.	–
2	1	3	3	3	V _{in}	Positive Power Supply Input Voltage
3, Tab	2, Tab	6	6	1	Ground	Power Supply Ground
4	3	4	4	2, Tab	V _{out}	Regulated Output Voltage
5	–	5	–	–	Adj	This pin is to be connected to the sense resistors on the output. The linear regulator will attempt to maintain 0.9 V between this pin and ground. Refer to the Application Information section for output voltage setting.

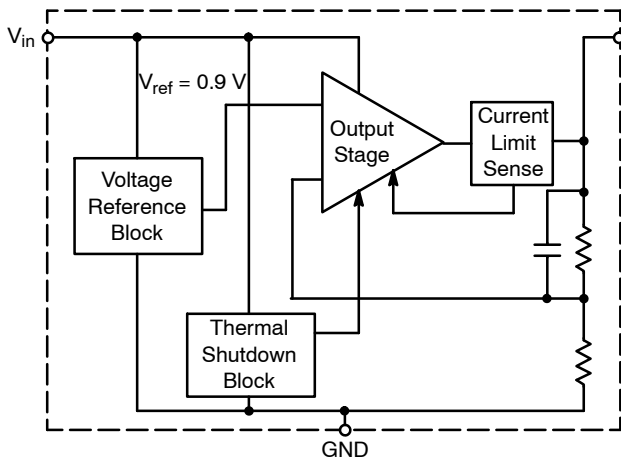


Figure 3. Block Diagram, Fixed Output

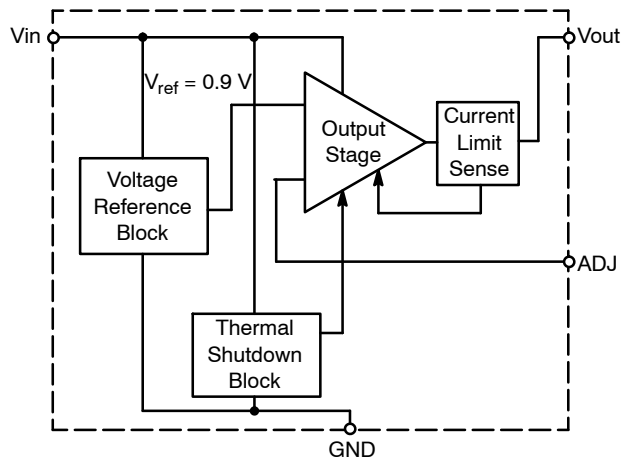


Figure 4. Block Diagram, Adjustable Output

NCP565, NCV565

ABSOLUTE MAXIMUM RATINGS

Rating	Symbol	Value	Unit
Input Voltage (Note 1)	V_{in}	18	V
Output Pin Voltage	V_{out}	-0.3 to $V_{in} + 0.3$	V
Adjust Pin Voltage	V_{adj}	-0.3 to $V_{in} + 0.3$	V

Stresses exceeding those listed in the Maximum Ratings table may damage the device. If any of these limits are exceeded, device functionality should not be assumed, damage may occur and reliability may be affected.

NOTE: This device series contains ESD protection and exceeds the following tests:

Human Body Model JESD 22-A114-B

Machine Model JESD 22-A115-A

THERMAL CHARACTERISTICS

Rating	Symbol	Value	Unit
Thermal Characteristics SOT-223 (Notes 1, 2) Thermal Resistance, Junction-to-Ambient Thermal Resistance, Junction-to-Pin	$R_{\theta JA}$ $R_{\theta JP}$	107 12	$^{\circ}\text{C}/\text{W}$
Thermal Characteristics DFN6 (Notes 1, 2) Thermal Resistance, Junction-to-Ambient Thermal Resistance, Junction-to-Pin	$R_{\theta JA}$ $R_{\theta JP}$	176 37	$^{\circ}\text{C}/\text{W}$
Thermal Characteristics D ² PAK (5ld) (Notes 1, 2) Thermal Resistance, Junction-to-Case Thermal Resistance, Junction-to-Ambient Thermal Resistance, Junction-to-Pin	$R_{\theta JC}$ $R_{\theta JA}$ $R_{\theta JP}$	3 83 4	$^{\circ}\text{C}/\text{W}$

OPERATING RANGES

Rating	Symbol	Value	Unit
Operating Input Voltage (Note 1)	V_{in}	$V_{out} + V_{DO}$, 2.5 (Note 3) to 9	V
Operating Junction Temperature Range	T_J	-40 to 150	$^{\circ}\text{C}$
Operating Ambient Temperature Range	T_A	-40 to 125	$^{\circ}\text{C}$
Storage Temperature Range	T_{stg}	-55 to 150	$^{\circ}\text{C}$

1. Refer to Electrical Characteristics and Application Information for Safe Operating Area.

2. As measured using a copper heat spreading area of 50 mm² for SOT-223 and DFN6, 100 mm² for D²PAK, 1 oz copper thickness.

3. Minimum $V_{in} = (V_{out} + V_{DO})$ or 2.5 V, whichever is higher.

NCP565, NCV565

ELECTRICAL CHARACTERISTICS ($V_{in} = V_{out} + 1.6\text{ V}$, $V_{out} = 0.9\text{ V}$, $T_A = 25^\circ\text{C}$, $C_{in} = C_{out} = 150\ \mu\text{F}$, unless otherwise noted, Note 4.)

Characteristic	Symbol	Min	Typ	Max	Unit
ADJUSTABLE OUTPUT VERSION					
Reference Voltage ($10\text{ mA} < I_{out} < 1.5\text{ A}$; $V_{out} + 1.6\text{ V} < V_{in} < 9.0\text{ V}$; $T_A = -10\text{ to }105^\circ\text{C}$)	V_{ref}	0.882 (-2%)	0.9	0.918 (+2%)	V
Reference Voltage ($10\text{ mA} < I_{out} < 1.5\text{ A}$; $V_{out} + 1.6\text{ V} < V_{in} < 9.0\text{ V}$; $T_A = -40\text{ to }125^\circ\text{C}$)	V_{ref}	0.873 (-3%)	0.9	0.927 (+3%)	V
ADJ Pin Current (Note 5)	I_{Adj}	-	30	-	nA
Line Regulation ($I_{out} = 10\text{ mA}$) (Note 5)	Reg_{line}	-	0.03	-	%
Load Regulation ($10\text{ mA} < I_{out} < 1.5\text{ A}$) (Note 5)	Reg_{load}	-	0.03	-	%
Dropout Voltage ($I_{out} = 1.5\text{ A}$, $V_{out} = 2.5\text{ V}$) (Note 6)	V_{do}	-	0.9	1.3	V
Current Limit	I_{lim}	1.6	3.3	-	A
Ripple Rejection (120 Hz; $I_{out} = 1.5\text{ A}$) (Note 5)	RR	-	85	-	dB
Ripple Rejection (1 kHz; $I_{out} = 1.5\text{ A}$) (Note 5)	RR	-	75	-	dB
Ground Current ($I_{out} = 1.5\text{ A}$)	I_{GND}	-	1.5	3.0	mA
Output Noise Voltage ($f = 100\text{ Hz to }100\text{ kHz}$, $I_{out} = 1.5\text{ A}$) (Note 5)	V_n	-	28	-	μV_{rms}
Thermal Shutdown Protection (Note 5)	T_{SHD}	-	160	-	$^\circ\text{C}$

FIXED OUTPUT VOLTAGE ($V_{in} = V_{out} + 1.6\text{ V}$, $T_A = 25^\circ\text{C}$, $C_{in} = C_{out} = 150\ \mu\text{F}$, unless otherwise noted, Note 4.)

Output Voltage ($10\text{ mA} < I_{out} < 1.5\text{ A}$; $2.8\text{ V} < V_{in} < 9.0\text{ V}$; $T_A = -10\text{ to }105^\circ\text{C}$) 1.2 V version	V_{out}	1.176 (-2%)	1.2	1.224 (+2%)	V
Output Voltage ($10\text{ mA} < I_{out} < 1.5\text{ A}$; $2.8\text{ V} < V_{in} < 9.0\text{ V}$; $T_A = -40\text{ to }125^\circ\text{C}$) 1.2 V version	V_{out}	1.164 (-3%)	1.2	1.236 (+3%)	V
Output Voltage ($10\text{ mA} < I_{out} < 1.5\text{ A}$; $3.1\text{ V} < V_{in} < 9.0\text{ V}$; $T_A = -10\text{ to }105^\circ\text{C}$) 1.5 V version	V_{out}	1.470 (-2%)	1.5	1.530 (+2%)	V
Output Voltage ($10\text{ mA} < I_{out} < 1.5\text{ A}$; $3.1\text{ V} < V_{in} < 9.0\text{ V}$; $T_A = -40\text{ to }125^\circ\text{C}$) 1.5 V version	V_{out}	1.455 (-3%)	1.5	1.545 (+3%)	V
Output Voltage ($10\text{ mA} < I_{out} < 1.5\text{ A}$; $4.4\text{ V} < V_{in} < 9.0\text{ V}$; $T_A = -10\text{ to }105^\circ\text{C}$) 2.8 V version	V_{out}	2.744 (-2%)	2.8	2.856 (+2%)	V
Output Voltage ($10\text{ mA} < I_{out} < 1.5\text{ A}$; $4.4\text{ V} < V_{in} < 9.0\text{ V}$; $T_A = -40\text{ to }125^\circ\text{C}$) 2.8 V version	V_{out}	2.716 (-3%)	2.8	2.884 (+3%)	V
Output Voltage ($10\text{ mA} < I_{out} < 1.5\text{ A}$; $4.6\text{ V} < V_{in} < 9.0\text{ V}$; $T_A = -10\text{ to }105^\circ\text{C}$) 3.0 V version	V_{out}	2.940 (-2%)	3.0	3.060 (+2%)	V
Output Voltage ($10\text{ mA} < I_{out} < 1.5\text{ A}$; $4.6\text{ V} < V_{in} < 9.0\text{ V}$; $T_A = -40\text{ to }125^\circ\text{C}$) 3.0 V version	V_{out}	2.910 (-3%)	3.0	3.090 (+3%)	V
Output Voltage ($10\text{ mA} < I_{out} < 1.5\text{ A}$; $4.9\text{ V} < V_{in} < 9.0\text{ V}$; $T_A = -10\text{ to }105^\circ\text{C}$) 3.3 V version	V_{out}	3.234 (-2%)	3.3	3.366 (+2%)	V
Output Voltage ($10\text{ mA} < I_{out} < 1.5\text{ A}$; $4.9\text{ V} < V_{in} < 9.0\text{ V}$; $T_A = -40\text{ to }125^\circ\text{C}$) 3.3 V version	V_{out}	3.201 (-3%)	3.3	3.399 (+3%)	V
Line Regulation ($I_{out} = 10\text{ mA}$) (Note 5)	Reg_{line}	-	0.03	-	%
Load Regulation ($10\text{ mA} < I_{out} < 1.5\text{ A}$) (Note 5)	Reg_{load}	-	0.03	-	%
Dropout Voltage ($I_{out} = 1.5\text{ A}$, $V_{out} = 2.5\text{ V}$) (Note 6)	V_{do}	-	0.9	1.3	V
Current Limit	I_{lim}	1.6	3.3	-	A
Ripple Rejection (120 Hz; $I_{out} = 1.5\text{ A}$) (Note 5)	RR	-	85	-	dB
Ripple Rejection (1 kHz; $I_{out} = 1.5\text{ A}$) (Note 5)	RR	-	75	-	dB
Ground Current ($I_{out} = 1.5\text{ A}$)	I_{GND}	-	1.5	3.0	mA
Output Noise Voltage ($f = 100\text{ Hz to }100\text{ kHz}$, $V_{out} = 1.2\text{ V}$, $I_{out} = 1.5\text{ A}$) (Note 5)	V_n	-	38	-	μV_{rms}
Thermal Shutdown Protection (Note 5)	T_{SHD}	-	160	-	$^\circ\text{C}$

4. Performance guaranteed over specified operating conditions by design, guard banded test limits, and/or characterization, production tested at $T_J = T_A = 25^\circ\text{C}$. Low duty cycle pulse techniques are used during testing to maintain the junction temperature as close to ambient as possible.
5. Typical values are based on design and/or characterization.
6. Dropout voltage is a measurement of the minimum input/output differential at full load.

NCP565, NCV565

TYPICAL CHARACTERISTICS

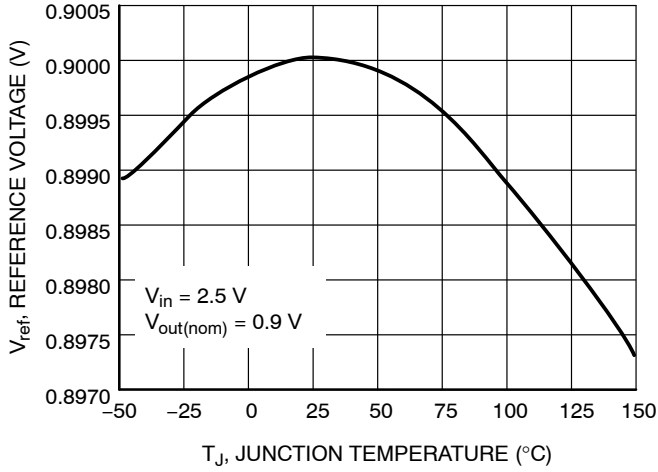


Figure 5. Output Voltage vs. Temperature

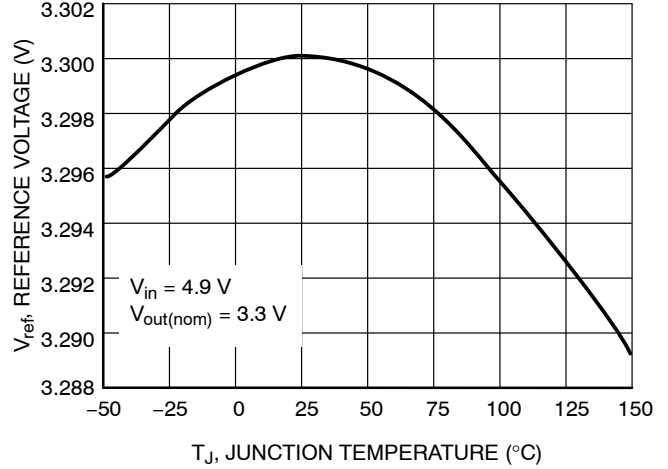


Figure 6. Output Voltage vs. Temperature

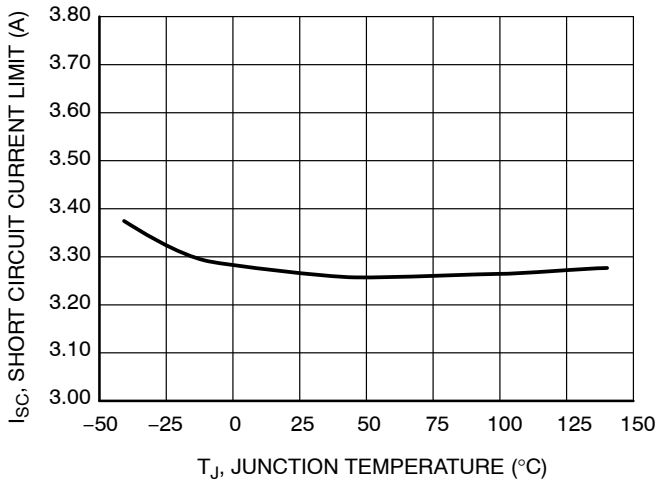


Figure 7. Short Circuit Current Limit vs. Temperature

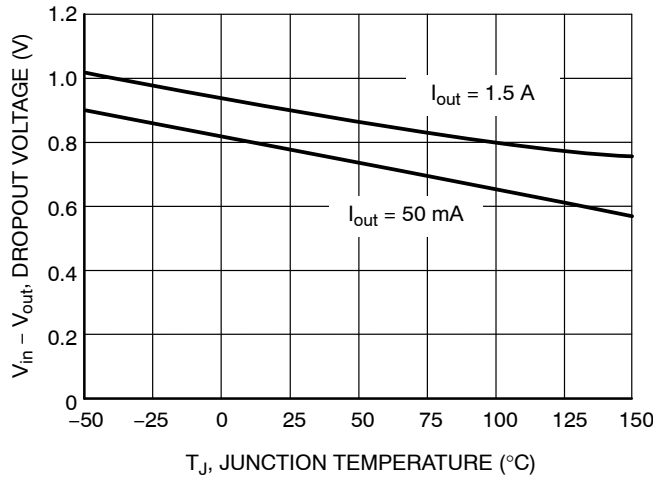


Figure 8. Dropout Voltage vs. Temperature

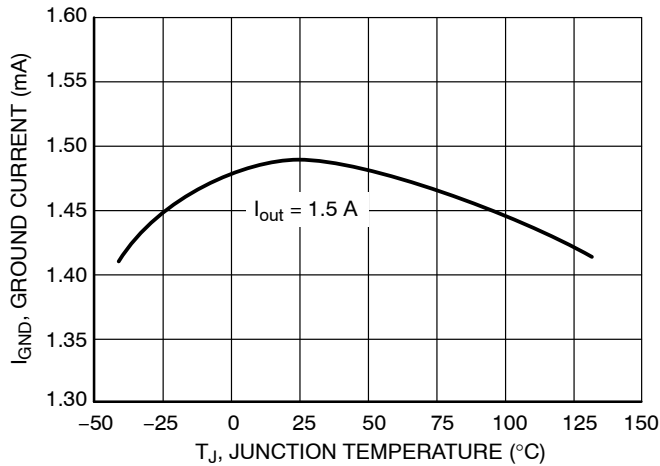


Figure 9. Ground Current vs. Temperature

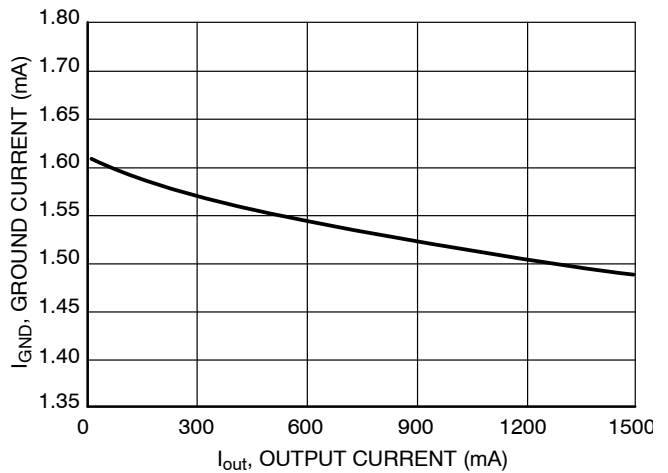


Figure 10. Ground Current vs. Output Current

TYPICAL CHARACTERISTICS

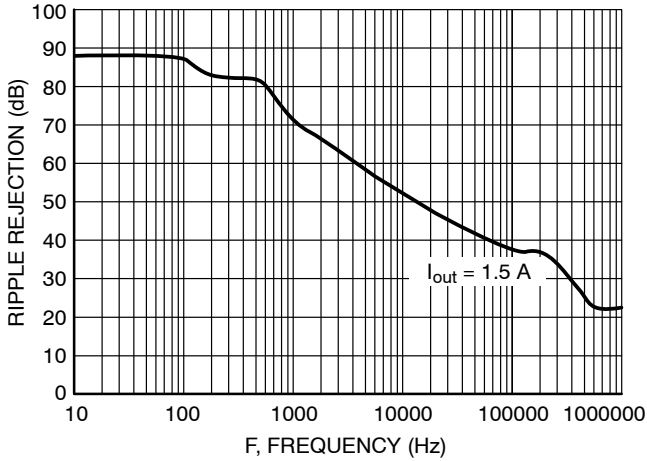


Figure 11. Ripple Rejection vs. Frequency

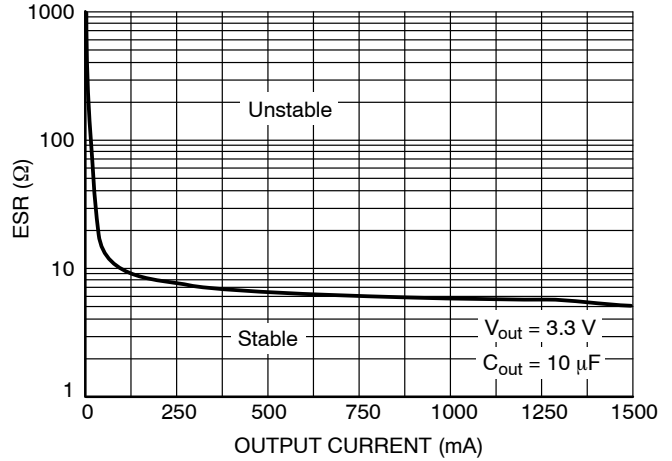


Figure 12. Output Capacitor ESR Stability vs. Output Current

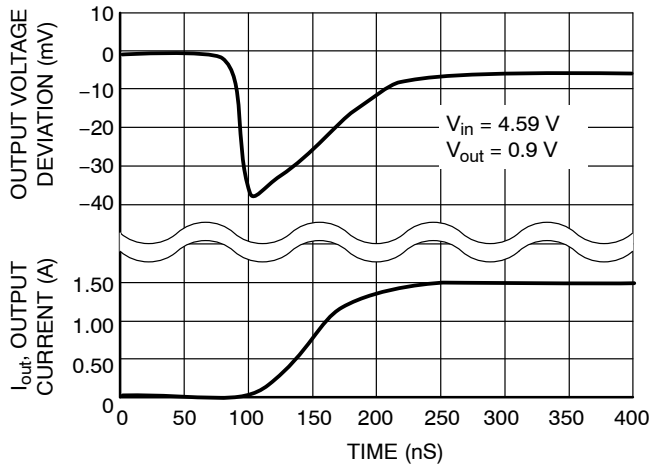


Figure 13. Load Transient from 10 mA to 1.5 A

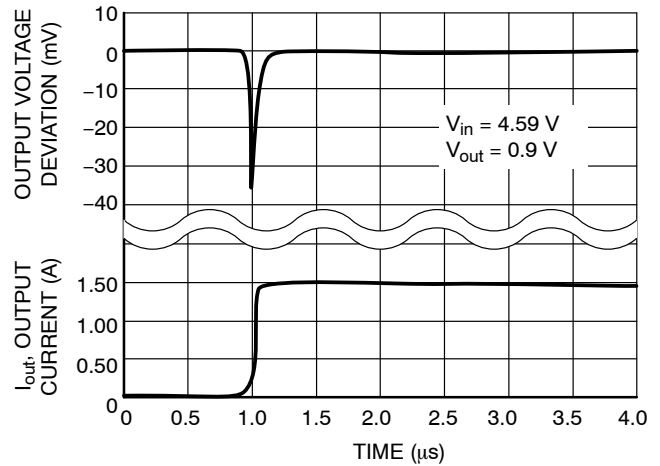


Figure 14. Load Transient from 10 mA to 1.5 A

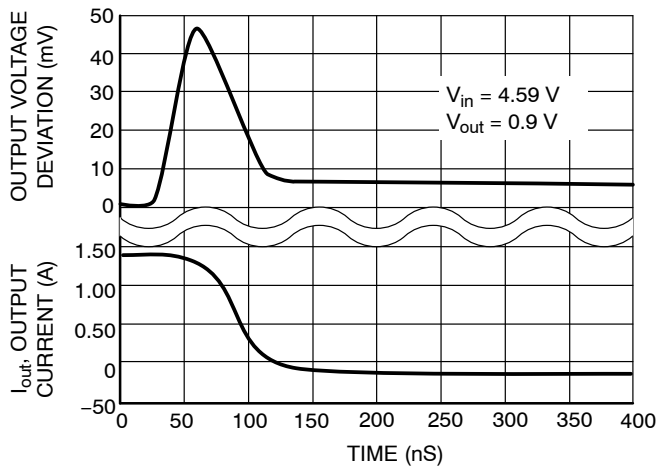


Figure 15. Load Transient from 1.5 A to 10 mA

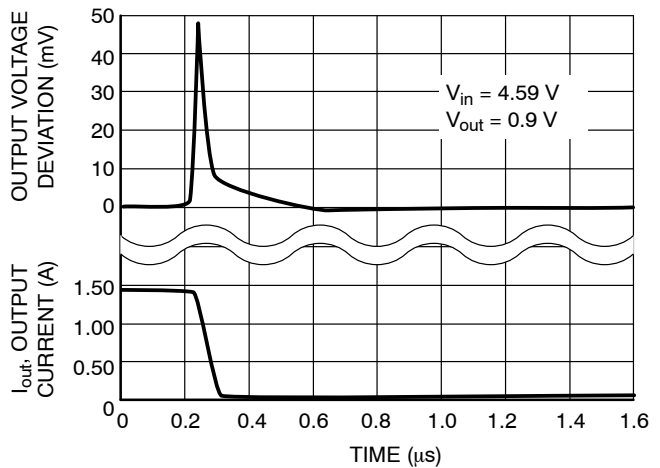


Figure 16. Load Transient from 1.5 A to 10 mA

NCP565, NCV565

TYPICAL CHARACTERISTICS

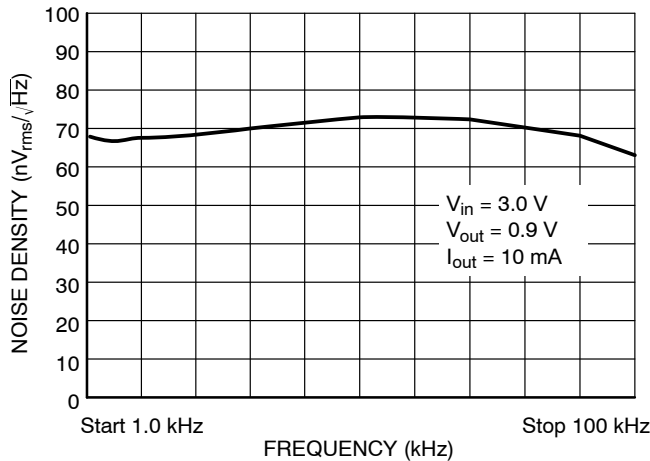


Figure 17. Noise Density vs. Frequency

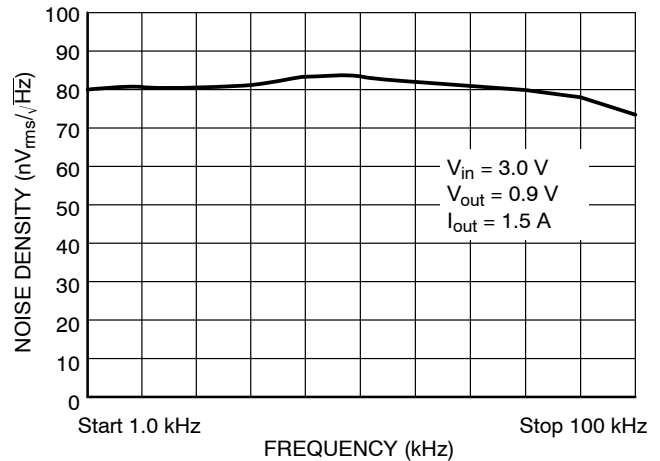


Figure 18. Noise Density vs. Frequency

NOTE: Typical characteristics were measured with the same conditions as electrical characteristics.

APPLICATION INFORMATION

The NCP565 low dropout linear regulator provides adjustable voltages at currents up to 1.5 A. It features ultra fast transient response and low dropout voltage. These devices contain output current limiting, short circuit protection and thermal shutdown protection.

Input, Output Capacitor and Stability

An input bypass capacitor is recommended to improve transient response or if the regulator is located more than a few inches from the power source. This will reduce the circuit's sensitivity to the input line impedance at high frequencies and significantly enhance the output transient response. Different types and different sizes of input capacitors can be chosen dependent on the quality of power supply. A 150 μF OSCON 16SA150M type from Sanyo should be adequate for most applications. The bypass capacitor should be mounted with shortest possible lead or track length directly across the regulator's input terminals.

The output capacitor is required for stability. The NCP565 remains stable with ceramic, tantalum, and aluminum-electrolytic capacitors with a minimum value of 1.0 μF with ESR between 50 m Ω and 2.5 Ω . The NCP565 is optimized for use with a 150 μF OSCON 16SA150M type in parallel with a 10 μF OSCON 10SL10M type from Sanyo. The 10 μF capacitor is used for best AC stability while 150 μF capacitor is used for achieving excellent output transient response. The output capacitors should be placed as close as possible to the output pin of the device. If not, the excellent load transient response of NCP565 will be degraded.

Adjustable Operation

The typical application circuit for the adjustable output regulators is shown in Figure 2. The adjustable device develops and maintains the nominal 0.9 V reference voltage between Adj and ground pins. A resistor divider network R1 and R2 causes a fixed current to flow to ground. This current creates a voltage across R1 that adds to the 0.9 V across R2 and sets the overall output voltage.

The output voltage is set according to the formula:

$$V_{\text{out}} = V_{\text{ref}} \times \left(\frac{R1 + R2}{R2} \right) - I_{\text{Adj}} \times R2$$

The adjust pin current, I_{Adj} , is typically 30 nA and normally much lower than the current flowing through R1 and R2, thus it generates a small output voltage error that can usually be ignored.

Load Transient Measurement

Large load current changes are always presented in microprocessor applications. Therefore good load transient performance is required for the power stage. NCP565 has the feature of ultra fast transient response. Its load transient responses in Figures 13 through 16 are tested on evaluation board shown in Figure 19. On the evaluation board, it consists of NCP565 regulator circuit with decoupling and filter capacitors and the pulse controlled current sink to obtain load current transitions. The load current transitions are measured by current probe. Because the signal from current probe has some time delay, it causes un-synchronization between the load current transition and output voltage response, which is shown in Figures 13 through 16.

NCP565, NCV565

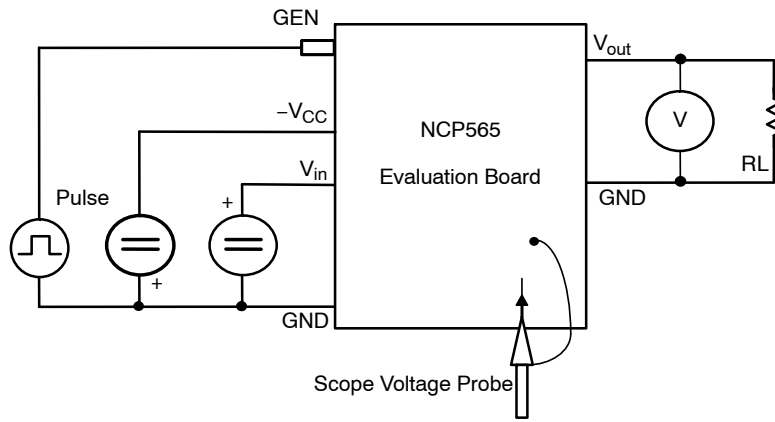


Figure 19. Schematic for Transient Response Measurement

PCB Layout Considerations

Good PCB layout plays an important role in achieving good load transient performance. Because it is very sensitive to its PCB layout, particular care has to be taken when tackling Printed Circuit Board (PCB) layout. The figures below give an example of a layout where parasitic elements are minimized. For microprocessor applications it is customary to use an output capacitor network consisting of

several capacitors in parallel. This reduces the overall ESR and reduces the instantaneous output voltage drop under transient load conditions. The output capacitor network should be as close as possible to the load for the best results. The schematic of NCP565 typical application circuit, which this PCB layout is based on, is shown in Figure 20. The output voltage is set to 3.3 V for this demonstration board according to the feedback resistors in the Table 1.

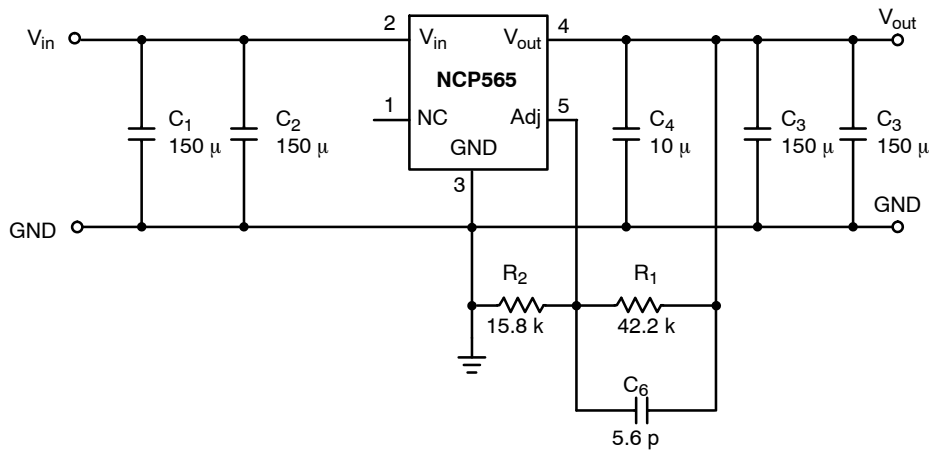


Figure 20. Schematic of NCP565 Typical Application Circuit

NCP565, NCV565

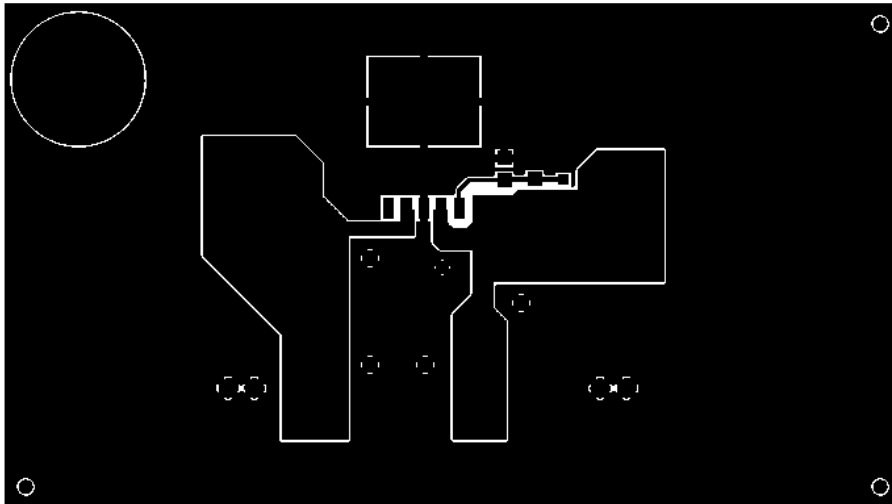


Figure 21. Top Layer

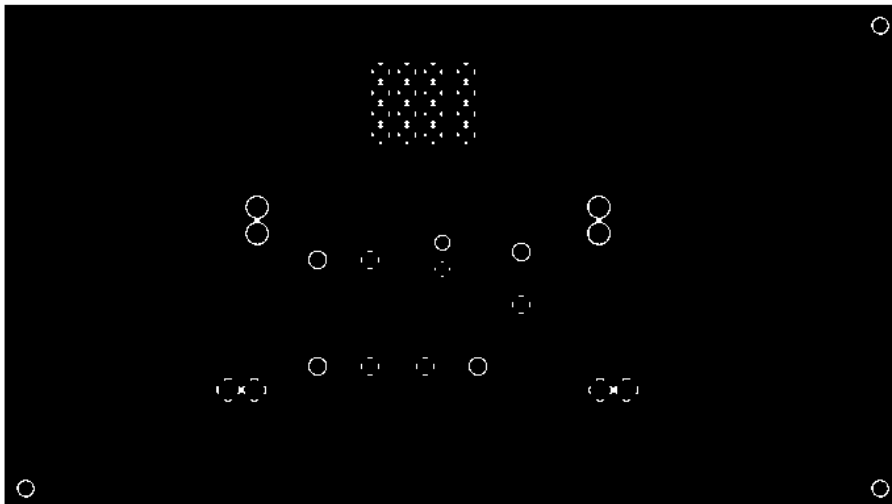


Figure 22. Bottom Layer

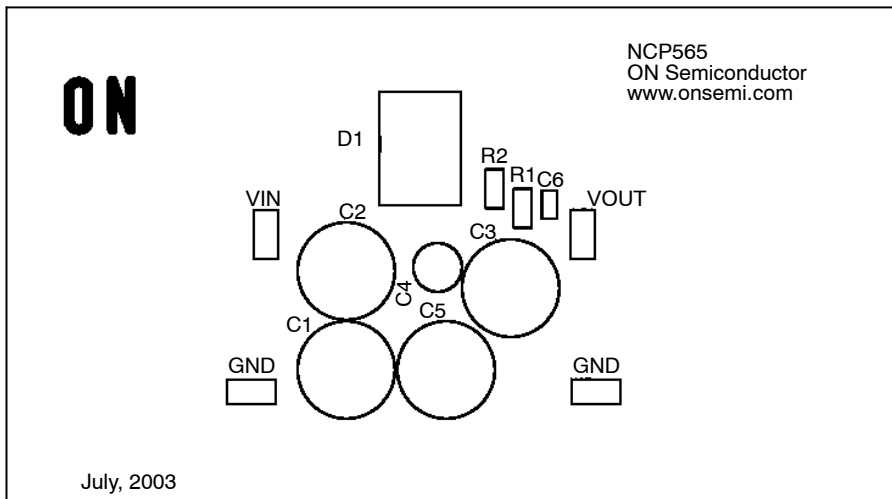


Figure 23. Silkscreen Layer

NCP565, NCV565

Table 1. Bill of Materials for NCP565 Adj Demonstration Board

Item	Used #	Component	Designators	Suppliers	Part Number
1	4	Radial Lead Aluminum Capacitor 150 μ F/16 V	C1, C2, C3, C5	Sanyo Oscon	16SA150M
2	1	Radial Lead Aluminum Capacitor 10 μ F/10 V	C4	Sanyo Oscon	10SL10M
3	1	SMT Chip Resistor (0805) 15.8 K 1%	R2	Vishay	CRCW08051582F
4	1	SMT Chip Resistor (0805) 42.2 K 1%	R1	Vishay	CRCW08054222F
5	1	SMT Ceramic Capacitor (0603) 5.6 pF 10%	C6	Vishay	VJ0603A5R6KXAA
6	1	NCP565 Low Dropout Linear Regulator	U1	ON Semiconductor	NCP565D2TR4

Protection Diodes

When large external capacitors are used with a linear regulator it is sometimes necessary to add protection diodes. If the input voltage of the regulator gets shorted, the output capacitor will discharge into the output of the regulator. The discharge current depends on the value of the capacitor, the output voltage and the rate at which V_{in} drops. In the NCP565 linear regulator, the discharge path is through a large junction and protection diodes are not usually needed. If the regulator is used with large values of output capacitance and the input voltage is instantaneously shorted to ground, damage can occur. In this case, a diode connected as shown in Figure 24 is recommended.

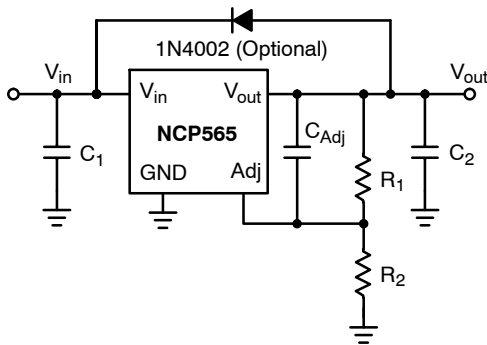


Figure 24. Protection Diode for Large Output Capacitors

Thermal Considerations

This series contains an internal thermal limiting circuit that is designed to protect the regulator in the event that the maximum junction temperature is exceeded. This feature provides protection from a catastrophic device failure due to accidental overheating. It is not intended to be used as a substitute for proper heat sinking. The maximum device power dissipation can be calculated by:

$$P_D = \frac{T_{J(max)} - T_A}{R_{\theta JA}}$$

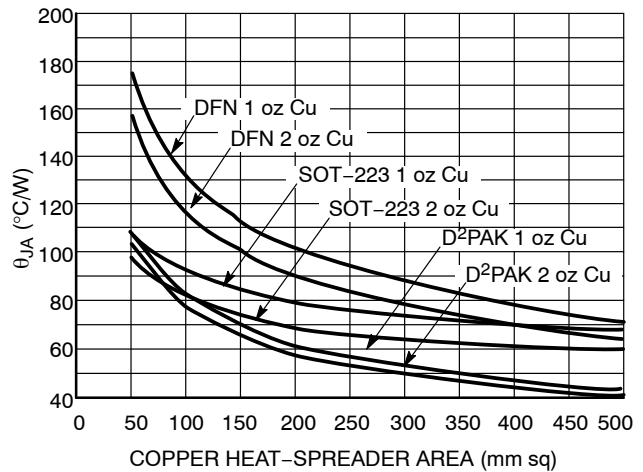


Figure 25. Thermal Resistance

NCP565, NCV565

ORDERING INFORMATION

Device	Nominal Output Voltage**	Package	Shipping†
NCP565D2TG	Adj	D ² PAK 5 (Pb-Free)	50 Units / Tube
NCP565D2TR4G		D ² PAK 5 (Pb-Free)	800 / Tape & Reel
NCP565MNADJT2G		DFN6 (Pb-Free)	3000 / Tape & Reel
NCP565D2T12G	Fixed (1.2 V)	D ² PAK 3 (Pb-Free)	50 Units / Tube
NCP565D2T12R4G		D ² PAK 3 (Pb-Free)	800 / Tape & Reel
NCP565MN12T2G		DFN6 (Pb-Free)	3000 / Tape & Reel
NCP565ST12T3G		SOT-223 (Pb-Free)	4000 / Tape & Reel
NCP565MN15T2G	Fixed (1.5 V)	DFN6 (Pb-Free)	3000 / Tape & Reel
NCP565MN28T2G	Fixed (2.8 V)	DFN6 (Pb-Free)	3000 / Tape & Reel
NCP565MN30T2G	Fixed (3.0 V)	DFN6 (Pb-Free)	3000 / Tape & Reel
NCP565D2T33G	Fixed (3.3 V)	D ² PAK 3 (Pb-Free)	50 Units / Tube
NCP565D2T33R4G		D ² PAK 3 (Pb-Free)	800 / Tape & Reel
NCP565MN33T2G		DFN6 (Pb-Free)	3000 / Tape & Reel
NCV565D2TG*	Adj	D ² PAK 5 (Pb-Free)	50 Units / Tube
NCV565D2TR4G*			800 / Tape & Reel
NCV565D2T12R4G*	Fixed (1.2 V)	D ² PAK 3 (Pb-Free)	800 / Tape & Reel
NCV565ST12T3G*		SOT-223 (Pb-Free)	4000 / Tape & Reel

†For information on tape and reel specifications, including part orientation and tape sizes, please refer to our Tape and Reel Packaging Specifications Brochure, BRD8011/D.

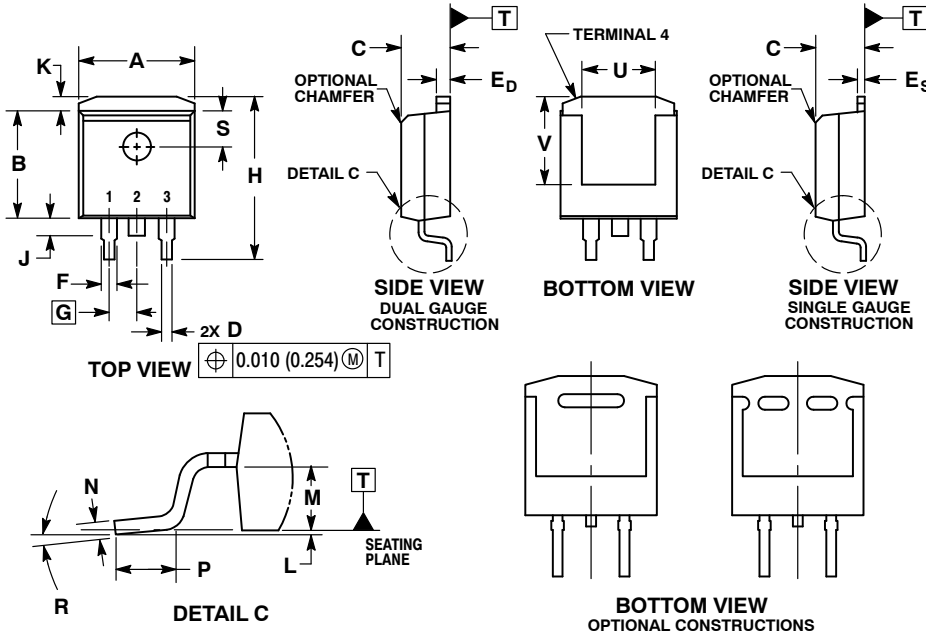
*NCV Prefix for Automotive and Other Applications Requiring Unique Site and Control Change Requirements; AEC-Q100 Qualified and PPAP Capable.

**For other fixed output versions, please contact the factory. The max Vout available for SOT-223 is 1.2 V.

NCP565, NCV565

PACKAGE DIMENSIONS

D²PAK 3 CASE 936-03 ISSUE D

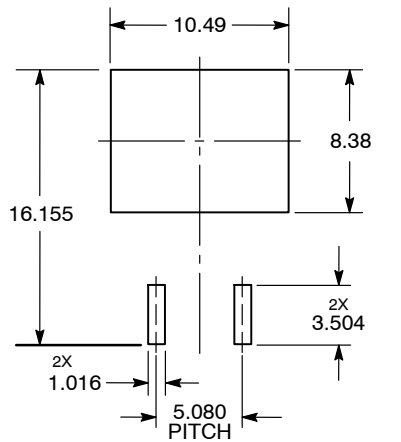


NOTES:

1. DIMENSIONING AND TOLERANCING PER ANSI Y14.5M, 1982.
2. CONTROLLING DIMENSION: INCHES.
3. TAB CONTOUR OPTIONAL WITHIN DIMENSIONS A AND K.
4. DIMENSIONS U AND V ESTABLISH A MINIMUM MOUNTING SURFACE FOR TERMINAL 4.
5. DIMENSIONS A AND B DO NOT INCLUDE MOLD FLASH OR GATE PROTRUSIONS. MOLD FLASH AND GATE PROTRUSIONS NOT TO EXCEED 0.025 (0.635) MAXIMUM.
6. SINGLE GAUGE DESIGN WILL BE SHIPPED AFTER FPCN EXPIRATION IN OCTOBER 2011.

DIM	INCHES		MILLIMETERS	
	MIN	MAX	MIN	MAX
A	0.386	0.403	9.804	10.236
B	0.356	0.368	9.042	9.347
C	0.170	0.180	4.318	4.572
D	0.026	0.036	0.660	0.914
E _D	0.045	0.055	1.143	1.397
E _S	0.018	0.026	0.457	0.660
F	0.051 REF		1.295 REF	
G	0.100 BSC		2.540 BSC	
H	0.539	0.579	13.691	14.707
J	0.125 MAX		3.175 MAX	
K	0.050 REF		1.270 REF	
L	0.000	0.010	0.000	0.254
M	0.088	0.102	2.235	2.591
N	0.018	0.026	0.457	0.660
P	0.058	0.078	1.473	1.981
R	5° REF		5° REF	
S	0.116 REF		2.946 REF	
U	0.200 MIN		5.080 MIN	
V	0.250 MIN		6.350 MIN	

SOLDERING FOOTPRINT*

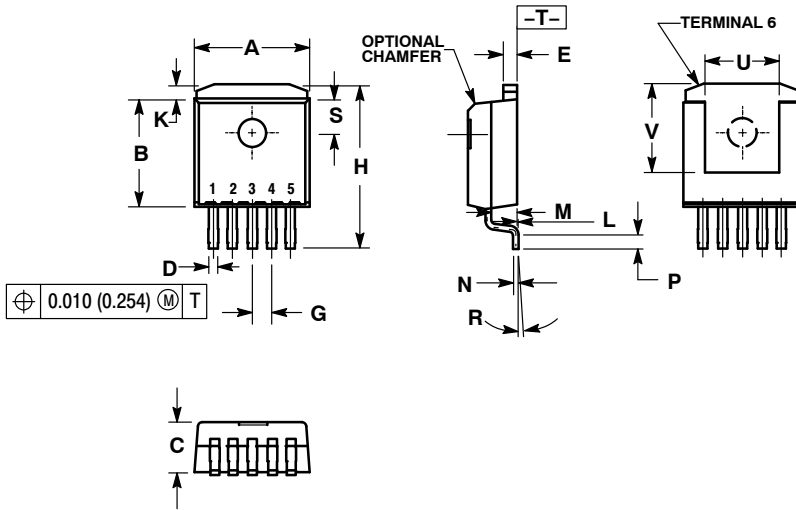


*For additional information on our Pb-Free strategy and soldering details, please download the ON Semiconductor Soldering and Mounting Techniques Reference Manual, SOLDERRM/D.

NCP565, NCV565

PACKAGE DIMENSIONS

D²PAK 5 CASE 936A-02 ISSUE C

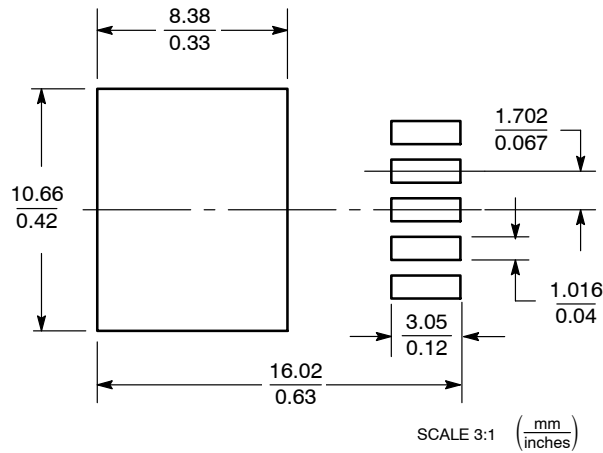


NOTES:

1. DIMENSIONING AND TOLERANCING PER ANSI Y14.5M, 1982.
2. CONTROLLING DIMENSION: INCH.
3. TAB CONTOUR OPTIONAL WITHIN DIMENSIONS A AND K.
4. DIMENSIONS U AND V ESTABLISH A MINIMUM MOUNTING SURFACE FOR TERMINAL 6.
5. DIMENSIONS A AND B DO NOT INCLUDE MOLD FLASH OR GATE PROTRUSIONS. MOLD FLASH AND GATE PROTRUSIONS NOT TO EXCEED 0.025 (0.635) MAXIMUM.

DIM	INCHES		MILLIMETERS	
	MIN	MAX	MIN	MAX
A	0.386	0.403	9.804	10.236
B	0.356	0.368	9.042	9.347
C	0.170	0.180	4.318	4.572
D	0.026	0.036	0.660	0.914
E	0.045	0.055	1.143	1.397
G	0.067 BSC		1.702 BSC	
H	0.539	0.579	13.691	14.707
K	0.050 REF		1.270 REF	
L	0.000	0.010	0.000	0.254
M	0.088	0.102	2.235	2.591
N	0.018	0.026	0.457	0.660
P	0.058	0.078	1.473	1.981
R	5° REF		5° REF	
S	0.116 REF		2.946 REF	
U	0.200 MIN		5.080 MIN	
V	0.250 MIN		6.350 MIN	

SOLDERING FOOTPRINT

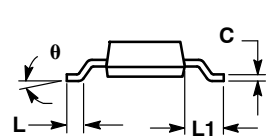
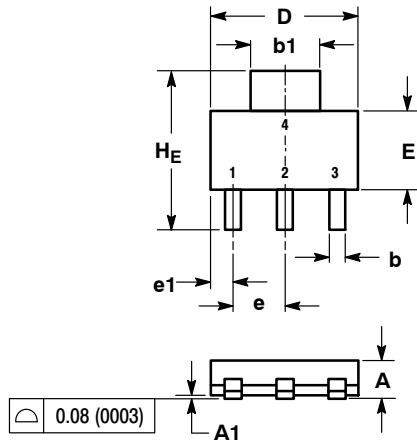


5-LEAD D²PAK

NCP565, NCV565

PACKAGE DIMENSIONS

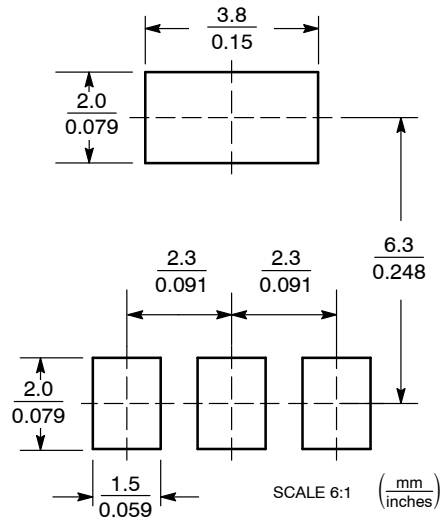
SOT-223 (TO-261)
CASE 318E-04
ISSUE N



NOTES:
7. DIMENSIONING AND TOLERANCING PER ASME Y14.5M, 1994.
8. CONTROLLING DIMENSION: INCH.

DIM	MILLIMETERS			INCHES		
	MIN	NOM	MAX	MIN	NOM	MAX
A	1.50	1.63	1.75	0.060	0.064	0.068
A1	0.02	0.06	0.10	0.001	0.002	0.004
b	0.60	0.75	0.89	0.024	0.030	0.035
b1	2.90	3.06	3.20	0.115	0.121	0.126
c	0.24	0.29	0.35	0.009	0.012	0.014
D	6.30	6.50	6.70	0.249	0.256	0.263
E	3.30	3.50	3.70	0.130	0.138	0.145
e	2.20	2.30	2.40	0.087	0.091	0.094
e1	0.85	0.94	1.05	0.033	0.037	0.041
L	0.20	---	---	0.008	---	---
L1	1.50	1.75	2.00	0.060	0.069	0.078
HE	6.70	7.00	7.30	0.264	0.276	0.287
θ	0°	-	10°	0°	-	10°

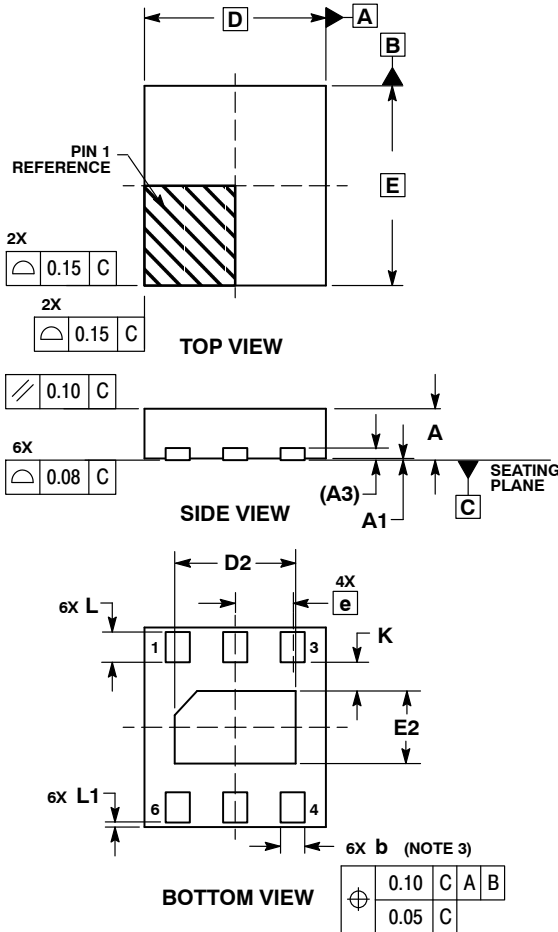
SOLDERING FOOTPRINT



NCP565, NCV565

PACKAGE DIMENSIONS

DFN6 3x3.3 MM, 0.95 PITCH
CASE 506AX
ISSUE O

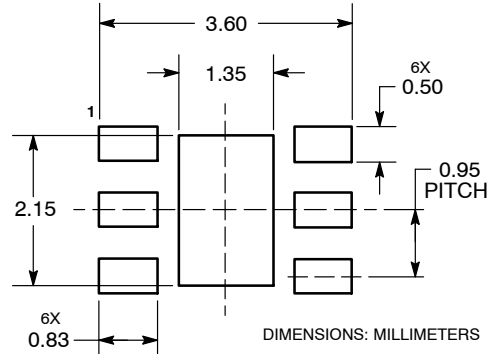


NOTES:

1. DIMENSIONS AND TOLERANCING PER ASME Y14.5M, 1994.
2. CONTROLLING DIMENSION: MILLIMETERS.
3. DIMENSION b APPLIES TO PLATED TERMINAL AND IS MEASURED BETWEEN 0.25 AND 0.30 mm FROM TERMINAL.
4. COPLANARITY APPLIES TO THE EXPOSED PAD AS WELL AS THE TERMINALS.

MILLIMETERS			
DIM	MIN	NOM	MAX
A	0.80	---	0.90
A1	0.00	---	0.05
A3	0.20 REF		
b	0.30	---	0.40
D	3.00 BSC		
D2	1.90	---	2.10
E	3.30 BSC		
E2	1.10	---	1.30
e	0.95 BSC		
K	0.20	---	---
L	0.40	---	0.60
L1	0.00	---	0.15

SOLDERING FOOTPRINT*



*For additional information on our Pb-Free strategy and soldering details, please download the ON Semiconductor Soldering and Mounting Techniques Reference Manual, SOLDERRM/D.

ON Semiconductor and are registered trademarks of Semiconductor Components Industries, LLC (SCILLC). SCILLC owns the rights to a number of patents, trademarks, copyrights, trade secrets, and other intellectual property. A listing of SCILLC's product/patent coverage may be accessed at www.onsemi.com/site/pdf/Patent-Marking.pdf. SCILLC reserves the right to make changes without further notice to any products herein. SCILLC makes no warranty, representation or guarantee regarding the suitability of its products for any particular purpose, nor does SCILLC assume any liability arising out of the application or use of any product or circuit, and specifically disclaims any and all liability, including without limitation special, consequential or incidental damages. "Typical" parameters which may be provided in SCILLC data sheets and/or specifications can and do vary in different applications and actual performance may vary over time. All operating parameters, including "Typicals" must be validated for each customer application by customer's technical experts. SCILLC does not convey any license under its patent rights nor the rights of others. SCILLC products are not designed, intended, or authorized for use as components in systems intended for surgical implant into the body, or other applications intended to support or sustain life, or for any other application in which the failure of the SCILLC product could create a situation where personal injury or death may occur. Should Buyer purchase or use SCILLC products for any such unintended or unauthorized application, Buyer shall indemnify and hold SCILLC and its officers, employees, subsidiaries, affiliates, and distributors harmless against all claims, costs, damages, and expenses, and reasonable attorney fees arising out of, directly or indirectly, any claim of personal injury or death associated with such unintended or unauthorized use, even if such claim alleges that SCILLC was negligent regarding the design or manufacture of the part. SCILLC is an Equal Opportunity/Affirmative Action Employer. This literature is subject to all applicable copyright laws and is not for resale in any manner.

PUBLICATION ORDERING INFORMATION

LITERATURE FULFILLMENT:
Literature Distribution Center for ON Semiconductor
P.O. Box 5163, Denver, Colorado 80217 USA
Phone: 303-675-2175 or 800-344-3860 Toll Free USA/Canada
Fax: 303-675-2176 or 800-344-3867 Toll Free USA/Canada
Email: orderlit@onsemi.com

N. American Technical Support: 800-282-9855 Toll Free
USA/Canada
Europe, Middle East and Africa Technical Support:
Phone: 421 33 790 2910
Japan Customer Focus Center
Phone: 81-3-5817-1050

ON Semiconductor Website: www.onsemi.com
Order Literature: <http://www.onsemi.com/orderlit>
For additional information, please contact your local Sales Representative