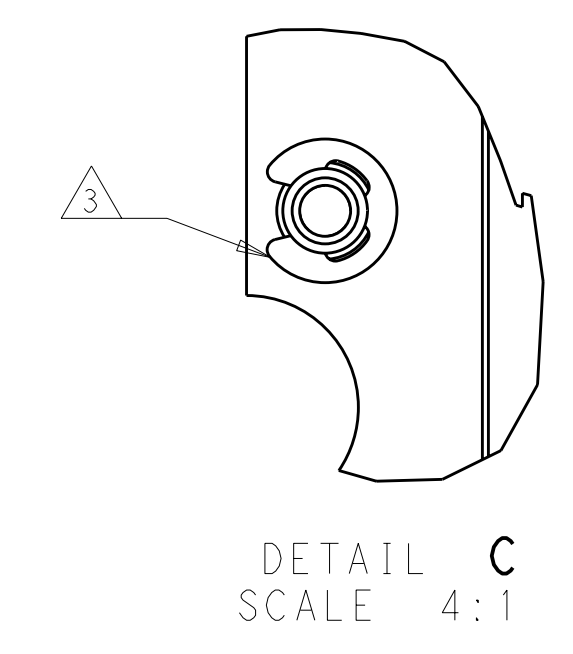
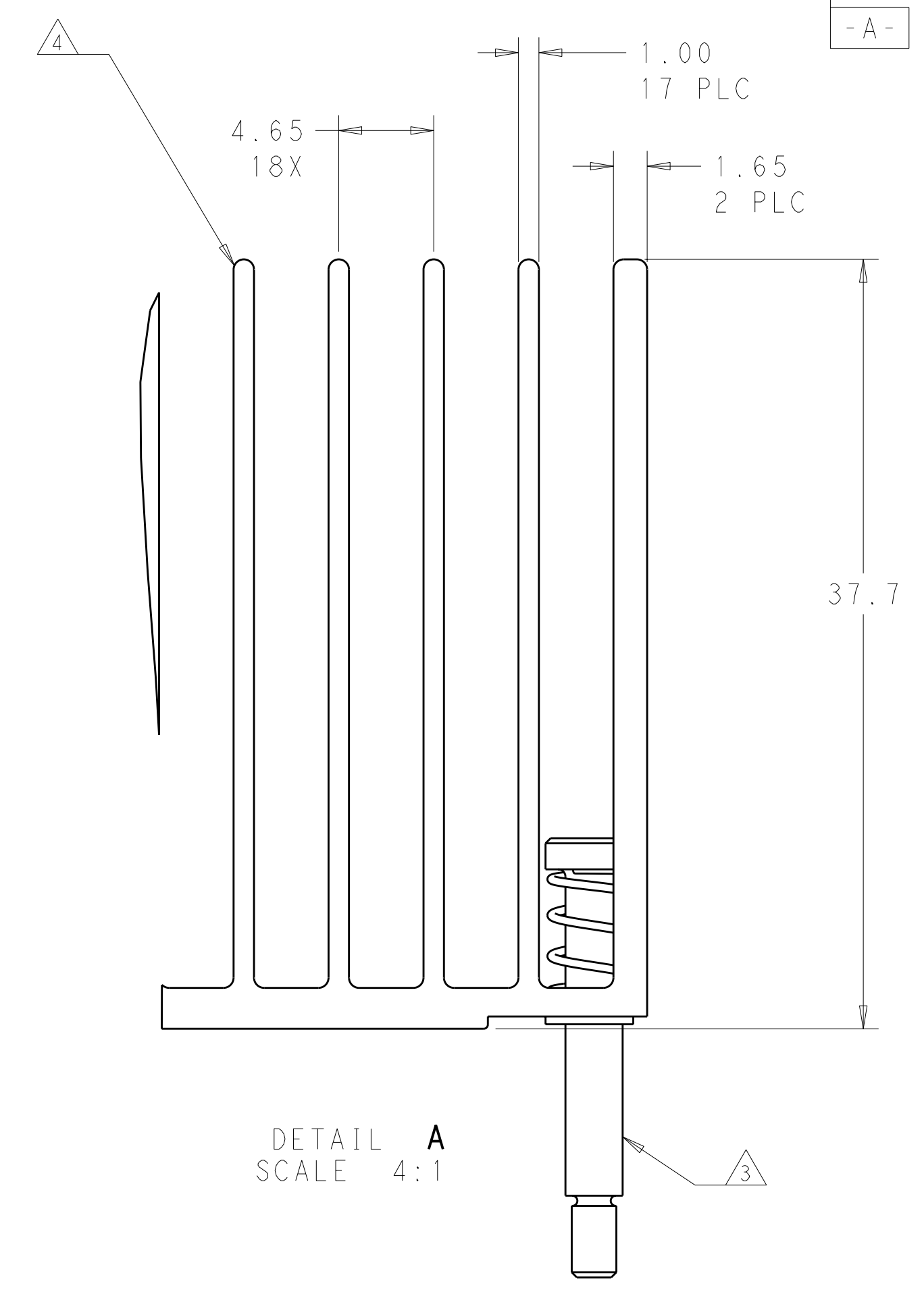
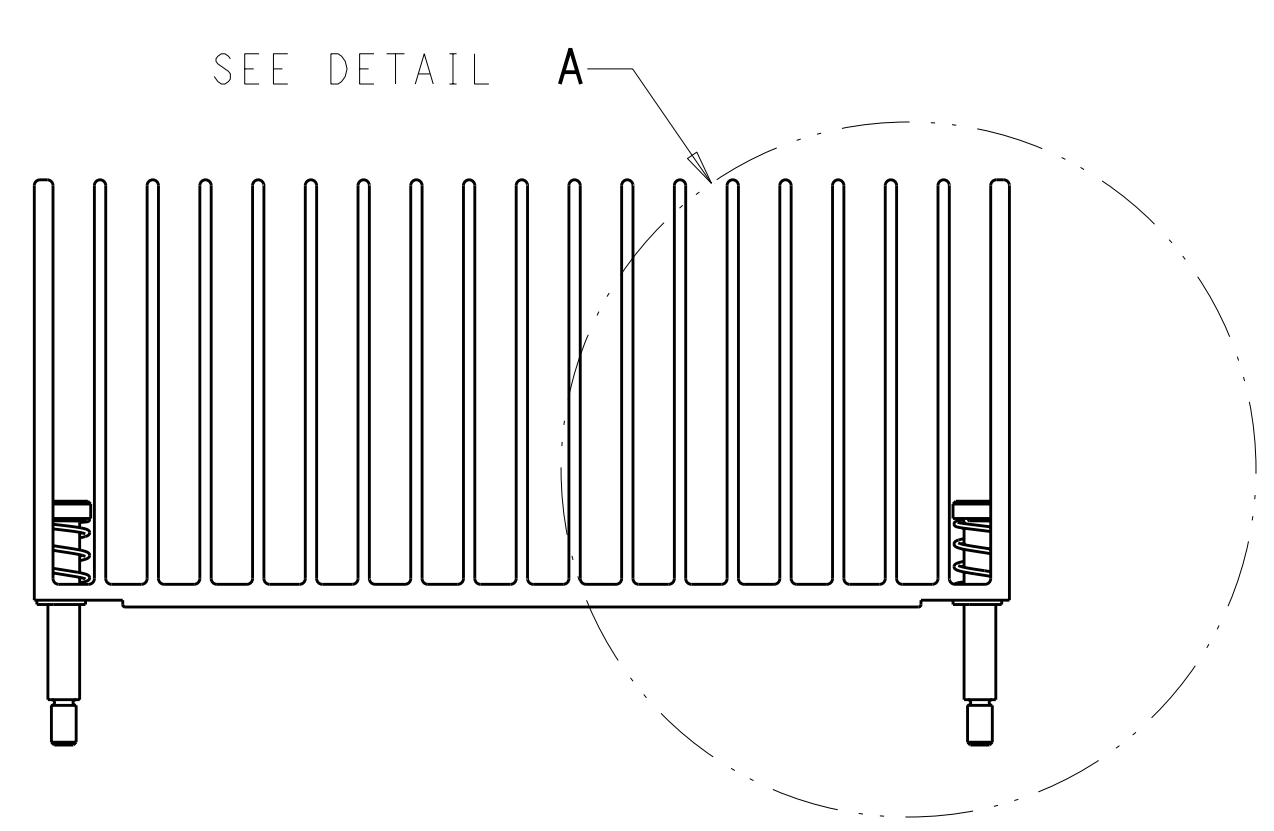
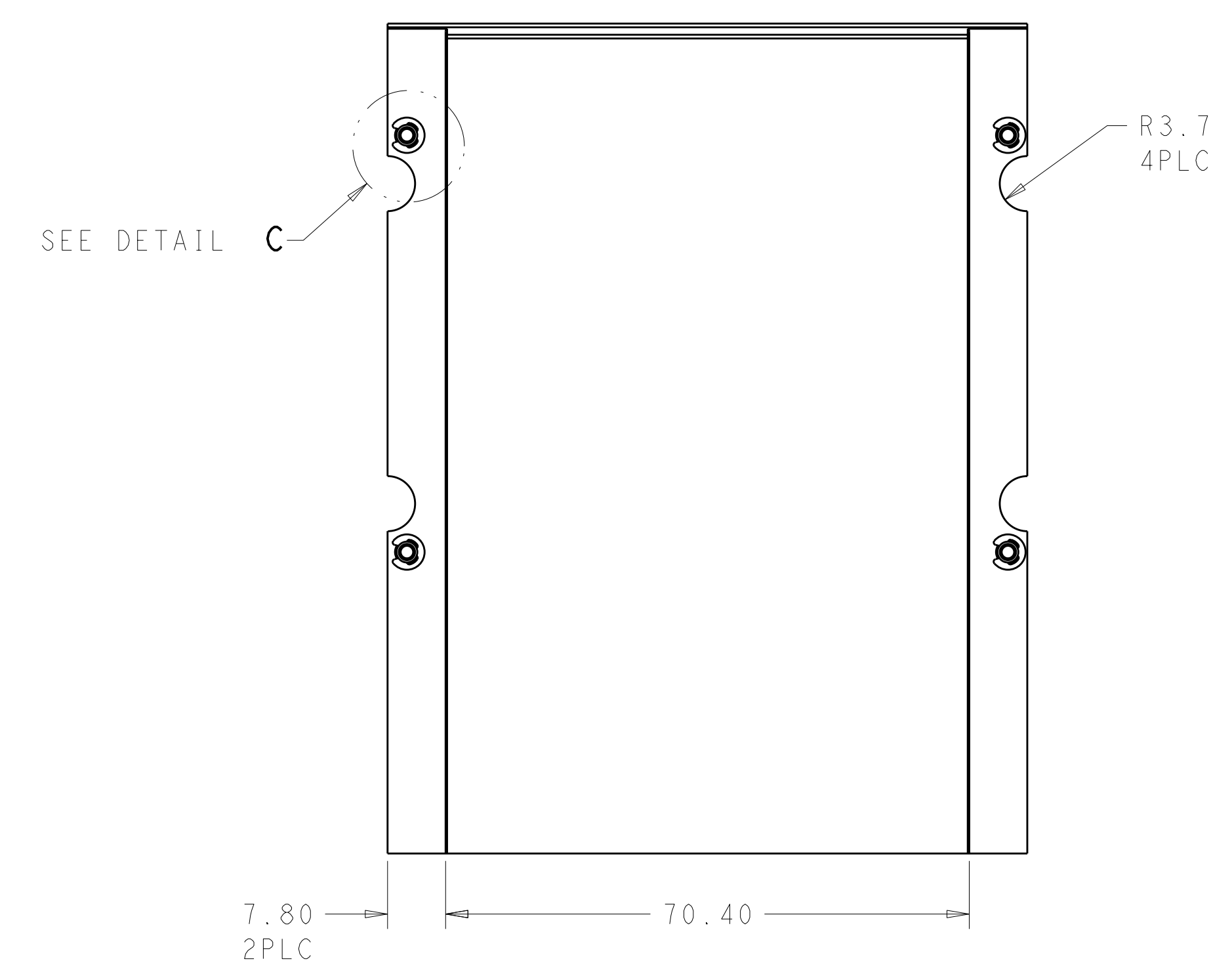
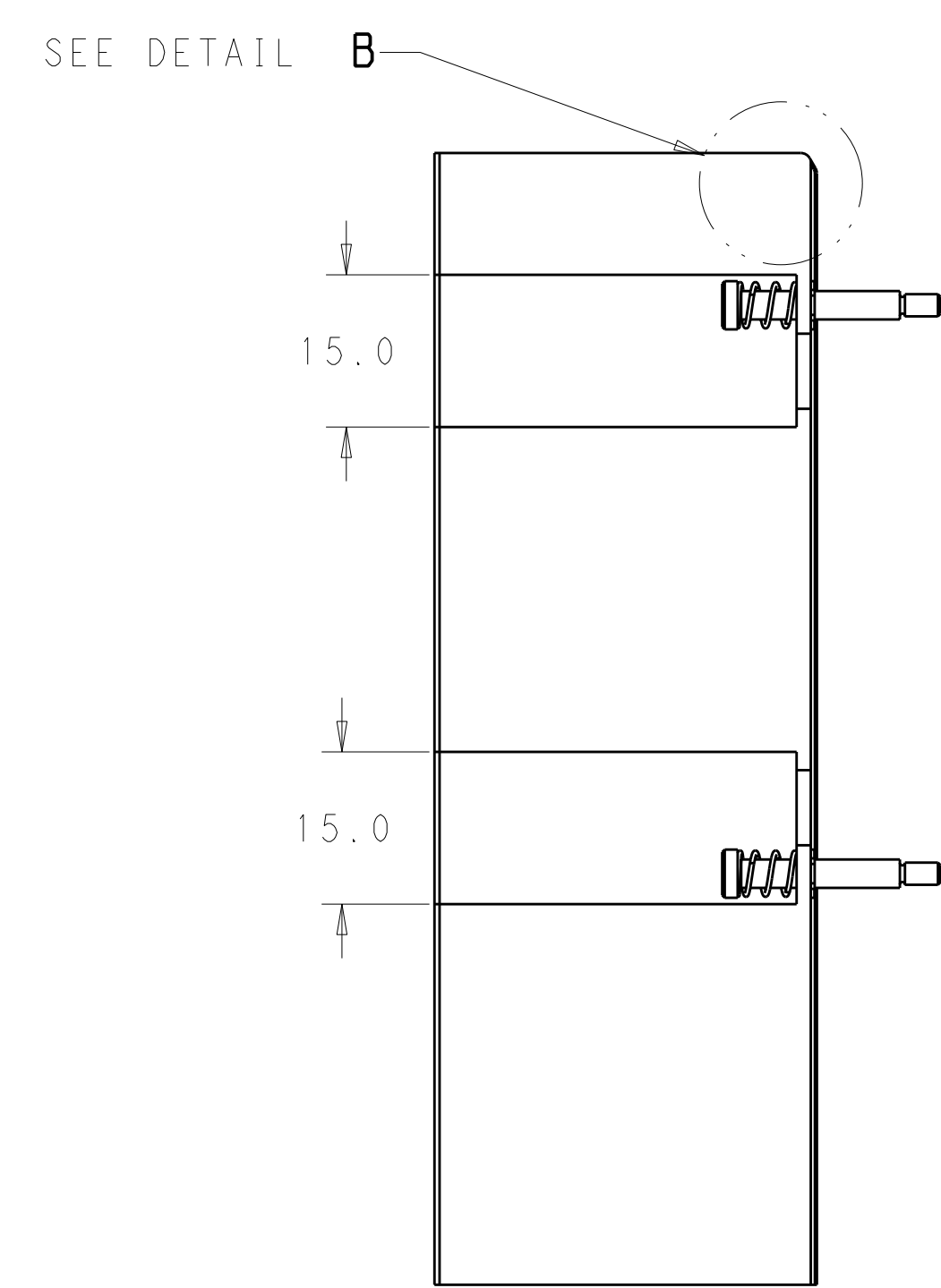
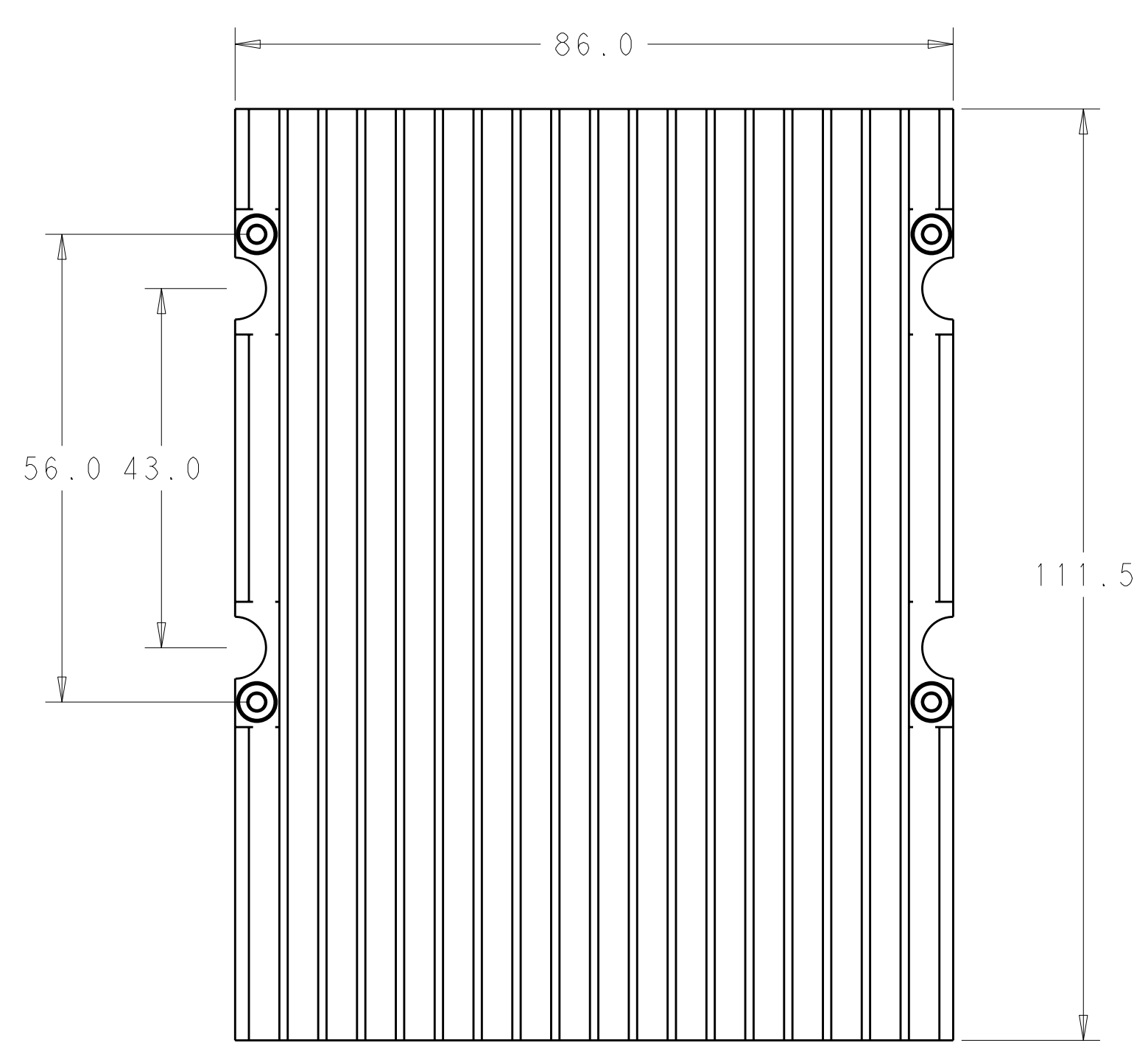
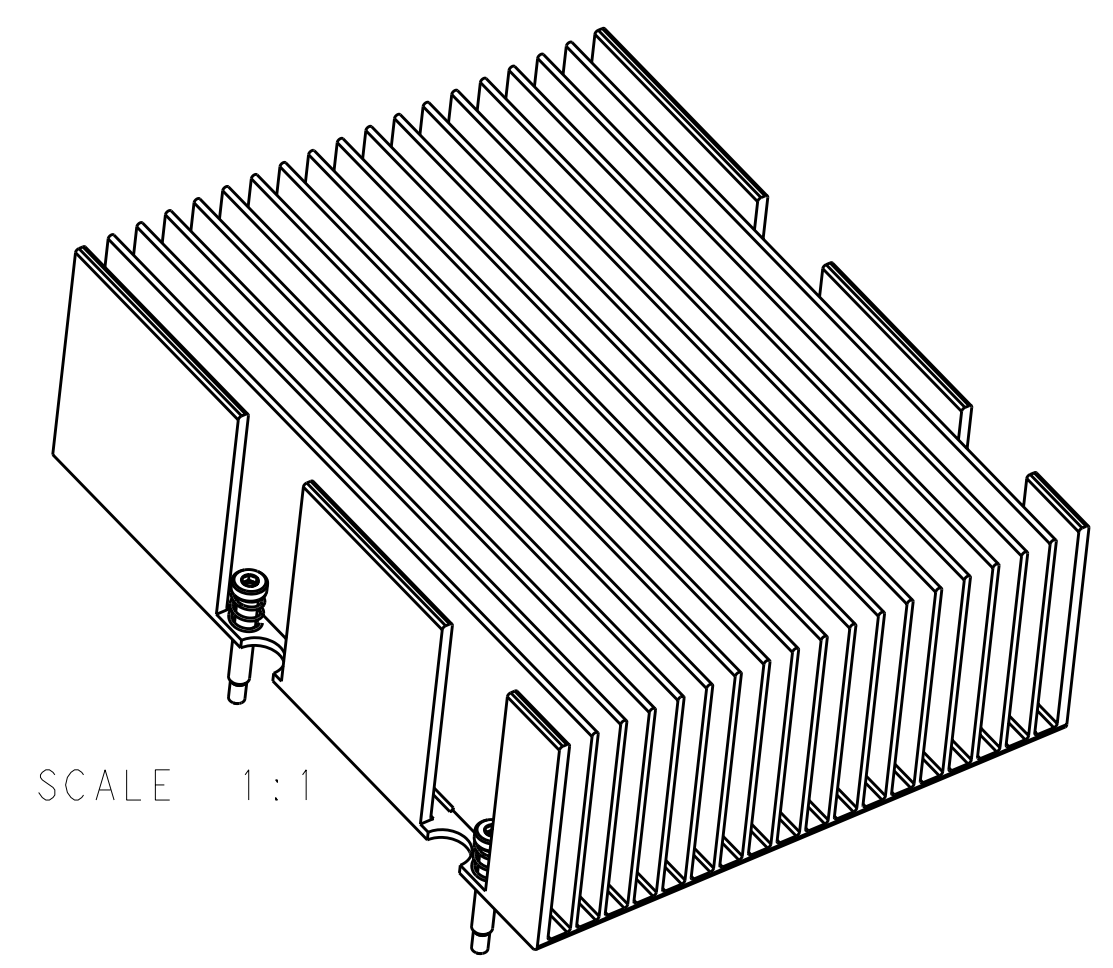
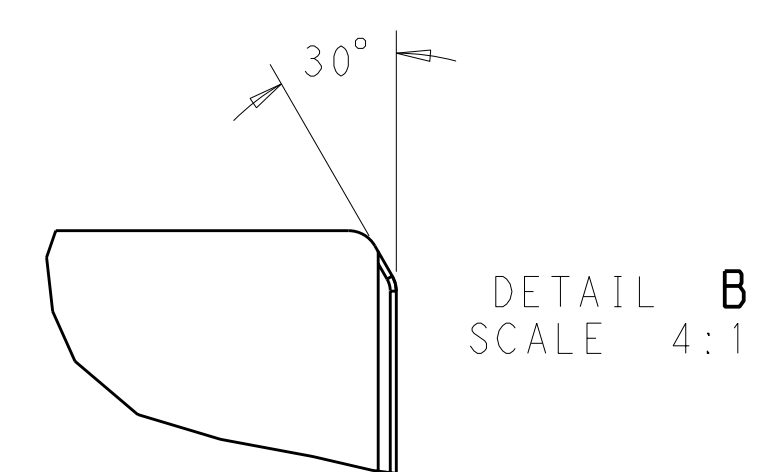


LOC	DIST	P	LTB	DESCRIPTION	DATE	DWN	APVD
-	-	1		DRAWING CREATION	16SEP2009	JE	JE
		A		REMOVE UNUSED PRELIMINARY P/N'S	21SEP2009	-	JE
		B		REVISED PER ECO-09-024638	03NOV2009	DH	JE



- ① HEATSINK MATERIAL: ALUMINUM ALLOY
- ② FINISH: ANNOIDIZED
- ③ 2-56 SHOULDER BOLT AND SPRING PRE-ASSEMBLED AND HELD IN PLACE WITH CLIP
- ④ FULL ROUND PERMITTED ON TOP OF HEATSINK FIN

2110903-2  
 PART NUMBER

DIMENSIONS: mm 		TOLERANCES UNLESS OTHERWISE SPECIFIED: 0 PLC ± 1 PLC ±0.5 2 PLC ±0.13 3 PLC ±0.013 4 PLC ±0.001 ANGLES ±		DWN 17SEP2009 CAX J EARY APVD PRODUCT SPEC APPLICATION SPEC WEIGHT CUSTOMER DRAWING	Tyco Electronics Harrisburg, PA 17105-3608 NAME 100 GIG CFP HEAT SINK FINS PARALLEL TO MATING DIRECTION SIZE CAGE CODE DRAWING NO A100779C=2110903 SCALE 3:2 SHEET 1 OF 1 REV B	RESTRICTED TO GOOG
-----------------------	--	--	--	---	--	-----------------------

# Mouser Electronics

Authorized Distributor

Click to View Pricing, Inventory, Delivery & Lifecycle Information:

[TE Connectivity:](#)

[2110903-1](#)