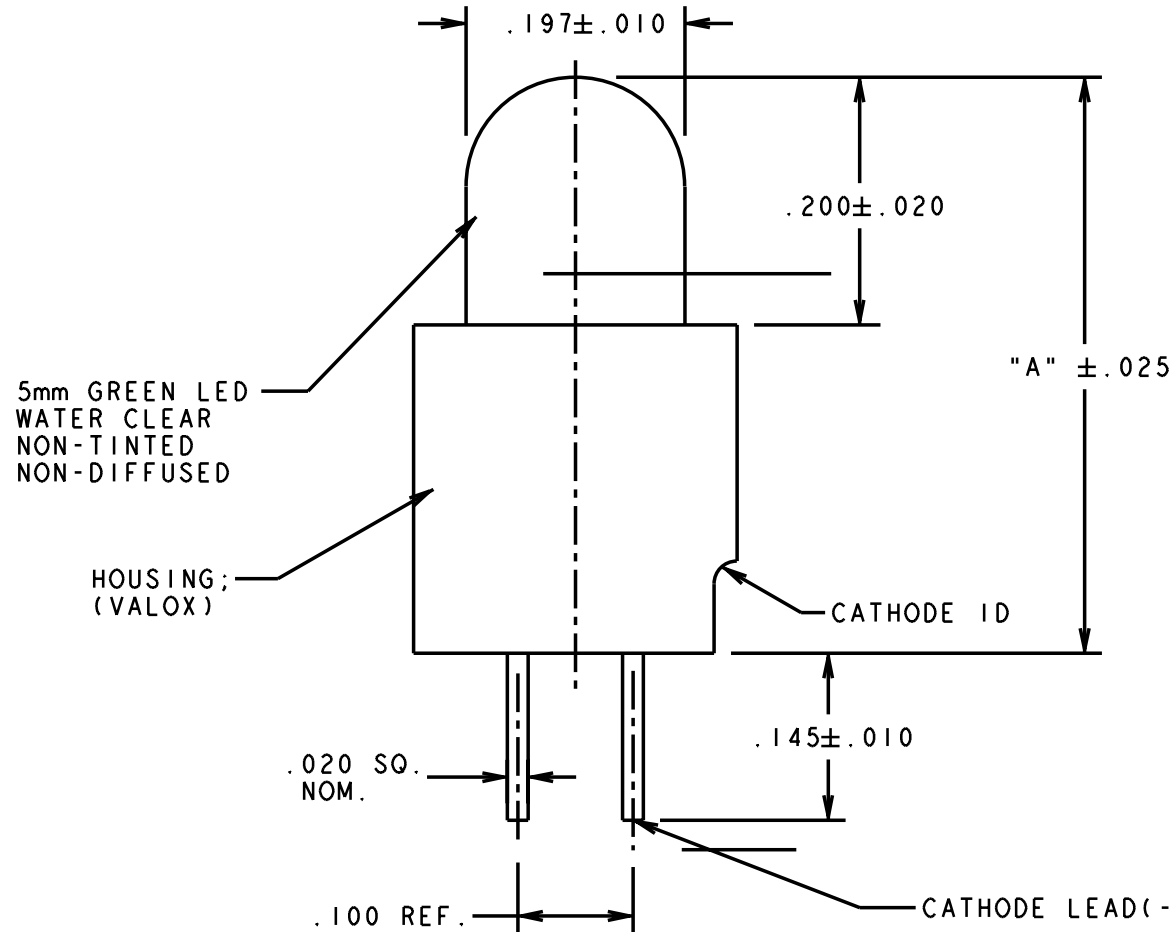


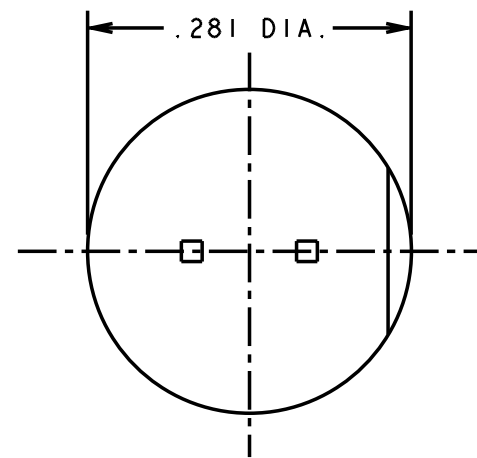
REV.	ECN NO.	REVISIONS	DRN.	CKD.	APP.	DATE
A	—	NEW RELEASE	TC			

PART NUMBER	DIM "A"
561-5902-050	.480
561-5902-060	.580
561-5902-070	.680
561-5902-080	.780
561-5902-090	.880
561-5902-100	.980



ABSOLUTE MAXIMUM RATINGS AT 25° C AMBIENT

		UNITS
FORWARD CURRENT	30	mA
REVERSE VOLTAGE	5	V
POWER DISSIPATION	120	mW
OPERATING TEMPERATURE	-30 +80	°C
STORAGE TEMPERATURE	-30 +100	°C

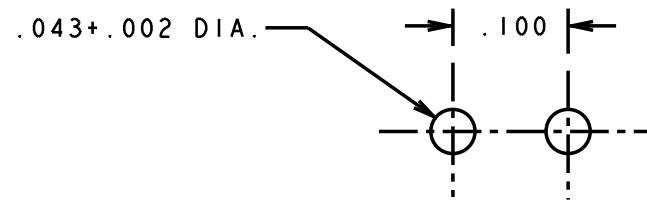


Model Overlay Name

c16367-tc

OPERATING CHARACTERISTICS AT 25° C AMBIENT

LED CHARACTERISTICS	MIN.	TYP.	MAX.	UNITS	TEST CONDITIONS
FORWARD VOLTAGE		3.5	4.0	V	$I_F = 20 \text{ mA}$
REVERSE CURRENT			50	$\mu\text{A}$	$V_R = 5 \text{ V}$
DOMINANT WAVELENGTH		525			$I_F = 20 \text{ mA}$
LUMINOUS INTENSITY	1.3	2.2		cd	$I_F = 20 \text{ mA}$
VIEWING ANGLE (2 $\theta$ 1/2)		30		deg.	



RECOMMENDED P.C. HOLE PATTERN

NOTES:

1. REQUIRES EXTERNAL RESISTOR.
2. ATTENTION: OBSERVE PRECAUTIONS FOR HANDLING ELECTROSTATIC SENSITIVE DEVICES, FOR EYE SAFETY DO NOT STARE DIRECTLY INTO THE LIGHT BEAM OF THESE LED DEVICES AT CLOSE RANGE.
3. DIALIGHT PART NUMBER: 561-5902-050, -060, -070, -080, -090, -100.

THIS DRAWING AND THE CONTENTS HEREIN ARE CONFIDENTIAL AND THE SOLE PROPERTY OF DIALIGHT. REPRODUCTION OF THIS DRAWING OR CONSTRUCTION OF ANY PARTS WITHIN THIS DRAWING ARE FORBIDDEN WITHOUT THE WRITTEN CONSENT OF DIALIGHT.

SCALE 5:1	DRAWING NUMBER	REV
ALL DIM'S IN: INCHES	C-16439	A
TOLERANCES: UNLESS OTHERWISE SPECIFIED	TITLE	
FRACTIONS: $\pm 1/64$	MATERIAL	
DECIMALS (.XX): $\pm .020$	Dialight	
DECIMALS (.XXX): $\pm .015$	1913 ATLANTIC AVE. MANASQUAN, N.J. 08736	
ANGLES: $\pm 3^\circ$	SHEET OF	
FINISH:	FAMILY TABLE:	
FSCM 83330		

# Mouser Electronics

Authorized Distributor

Click to View Pricing, Inventory, Delivery & Lifecycle Information:

Dialight:

[561-5902-070F](#) [561-5902-080F](#) [561-5902-090F](#) [561-5902-060F](#) [561-5902-050F](#)